

AVOID ACCIDENTS

Most accidents, whether they occur in industry, on the farm, at home or on the highway, are caused by the failure of some individual to follow simple and fundamental safety rules or precautions. For this reason **MOST ACCIDENTS CAN BE PREVENTED** by recognizing the real cause and doing something about it before the accident occurs.

Regardless of the care used in the design and construction of any type of equipment there are conditions that cannot be completely safeguarded against without interfering with reasonable accessibility and efficient operation.

A careful operator is the best insurance against an accident.
The complete observance of one simple rule would prevent many thousand serious injuries each year.
That rule is:

Never attempt to clean, oil or adjust a machine while it is in motion.

WARNING

On machines having hydraulically, mechanically, and/or cable controlled equipment (such as shovels, loaders, dozers, scrapers, etc.) be certain the equipment is lowered to the ground before servicing, adjusting and/or repairing. If it is necessary to have the hydraulically, mechanically, and/or cable controlled equipment partially or fully raised to gain access to certain items, be sure the equipment is suitably supported by means other than the hydraulic lift cylinders, cable and/or mechanical devices used for controlling the equipment.

CALIFORNIA

Proposition 65 Warning

Diesel engine exhaust and some of its constituents are known to the State of California to cause cancer, birth defects, and other reproductive harm.

COPYRIGHT BY FIATALLIS

•

All rights reserved. Reproduction of text and illustrations in whole or in part, is strictly prohibited.

UNFALLVERHÜTUNG

Die meisten Unfälle sind darauf zurückzuführen, dass einfache und grundlegende Sicherheitsvorschriften oder Vorsichtsmaßnahmen nicht beachtet werden. Dies gilt gleichermaßen für Unfälle in der Industrie, in der Landwirtschaft im Haushalt und im Strassenverkehr. Aus diesem Grund **KÖNNEN DIE MEISTEN UNFÄLLE VERHÜTET WERDEN**, sofern man die möglichen Ursachen kennt und die erforderliche Vorsicht übt.

Auch bei durchdachter Konstruktion und sorgfältiger Herstellung einer Maschine ist es kaum möglich das Zustandekommen eines Unfalls absolut zu vermeiden, ohne dabei manche unentbehrliche Maschinenmerkmale hinsichtlich Zugänglichkeit und Leistungsfähigkeit zuviel zu beeinträchtigen.

Vorsicht ist der beste Unfallschutz. Bereits die Einhaltung einer einfachen Sicherheitsvorschrift kann eine Vielzahl schwerer Unfälle vermeiden lassen.

Diese Vorschrift lautet:

Wartungsarbeiten (Reinigung, Schmierung, Instandhaltung) dürfen nicht während des Maschinenbetriebs durchgeführt werden.

ACHTUNG

Vor allen Wartungs- und Instandsetzungsarbeiten an Maschinen mit hydraulisch, mechanisch oder durch Seilzug gesteuerten Arbeitsgeräten (z.B. Schaufellader, Planierschilder, Flachbaggergeräte usw.) sind diese auf den Boden abzusetzen.

Sind die betreffenden Teile nur bei hochgestellten Arbeitseinrichtungen zugänglich, so sind diese stand sicher zu unterbauen; hierzu reichen die Steuervorrichtungen des jeweiligen Arbeitsgeräts nicht aus.

EVITE LOS ACCIDENTES

La mayoría de los accidentes que se verifican durante las faenas son imputables a la infracción de sencillas normas de seguridad o de elementales precauciones. Por esta razón, en la mayoría de los casos pueden prevenirse enterándose de sus posibles causas y adoptando previamente oportunas y prudentes medidas cautelativas.

Por bien proyectada o construida que se presente cualquier tipo de máquina, no puede prescindirse en absoluto de posibles accidentes, sin trastornar algunas de sus características básicas para ganar acceso o un funcionamiento mejor.

Un operador cuidadoso y prudente representa la mejor póliza de seguros contra los accidentes. El concienzudo cumplimiento de tan sólo una elemental norma de seguridad sería de suyo suficiente para evitar muchas graves desgracias. Esta norma es:

Nunca trate de limpiar, engrasar, repostar ni reparar la máquina mientras funciona. **Deténgala!**

AVISO

Antes de emprender cualquier operación de manutención, reglaje o reparación de máquinas equipadas con útiles accionados mecánica o hidráulicamente, o con cables (ejemplo: palas cargadoras, abretrochas, traillas, etc.) es preciso apoyar el útil en el suelo.

Suponiendo que para tener acceso a alguna parte de la máquina sea preciso levantar el útil, es indispensable sujetarlo bien firme y con medios estables, que no sean aquellos previstos para su accionamiento.

Fiatallis is not responsible for any liability arising from any damage resulting from defects caused by parts and/or components not approved by Fiatallis for use in maintaining and/or repairing products manufactured or merchandized by Fiatallis.

In any case, no warranty of any kind is made or shall be imposed with respect to products manufactured or merchandized by Fiatallis when failures are caused by the use of parts and/or components not approved by Fiatallis.

AVOID ACCIDENTS

Most accidents, whether they occur in industry, on the farm, at home or on the highway, are caused by the failure of one individual to follow simple and fundamental safety rules or precautions. For this reason **MOST ACCIDENTS CAN BE PREVENTED** by recognizing this real cause and doing something about it before the accident occurs.

Regardless of the care used in the design and constructions of any type of equipment there are many conditions that cannot be completely safeguarded against without interfering with reasonable accessibility and efficient operation.

A careful operator is the best insurance against an accident. The complete observance of one simple rule would prevent many thousand serious injuries each year.

That rule is:

Never attempt to clean, oil or adjust a machine while it is in motion.

WARNING

On machines having hydraulically, mechanically, and/or cable controlled equipment (such as shovels, loaders, dozers, scrapers, etc.) be certain the equipment is lowered to the ground before servicing, adjusting and/or repairing. If it is necessary to have the hydraulically, mechanically, and/or cable controlled equipment partially or fully raised to gain access to certain items, be sure the equipment is suitably supported by means other than the hydraulic lift cylinders, cable and/or mechanical devices used for controlling the equipment.

EVITARE GLI INCIDENTI

La maggior parte degli incidenti ed infortuni che si verificano negli stabilimenti, nelle aziende agricole, in casa o sulle strade, sono causati dalla mancata osservanza di qualche semplice e fondamentale regola di prudenza e di sicurezza. Per questa ragione **NELLA MAGGIORANZA DEI CASI ESSI POSSONO ESSERE EVITATI**: basta prevederne le possibili cause ed agire di conseguenza con la necessaria cautela e prudenza.

Con qualsiasi tipo di macchina, per quanto ben progettata e costruita, non è possibile escludere in assoluto ogni eventualità di incidente senza interferire negativamente su alcune caratteristiche essenziali per una ragionevole accessibilità e per un funzionamento efficiente.

Un operatore attento e prudente è la migliore garanzia contro gli incidenti. L'osservanza scrupolosa di una sola ed elementare norma di sicurezza sarebbe già sufficiente ad evitare molti infortuni gravi. Questa norma è: Non eseguire mai alcun intervento di pulizia, lubrificazione o manutenzione con la macchina in movimento.

ATTENZIONE

Prima di eseguire qualsiasi operazione di manutenzione, regolazione o riparazioni su macchine dotate di attrezzature comandate idraulicamente, meccanicamente o mediante funi (ad esempio pale caricatrici, apripista, ruspe, ecc.) occorre accertarsi che l'attrezzatura sia abbassata ed appoggiata al suolo. Se per poter accedere a qualche parte della macchina occorre che l'attrezzatura resti in posizione sollevata, questa dovrà essere opportunamente supportata servendosi di mezzi che non siano quelli previsti per il comando.

EVITEZ LES ACCIDENTS

La plupart des accidents qui se produisent dans les exploitations industrielles ou agricoles, à la maison ou sur la route, sont dus à l'observation de règles de sécurité ou de précautions simples et élémentaires. C'est pourquoi la plupart des accidents peuvent être évités si on en connaît la cause réelle et si les mesures nécessaires sont prises avant qu'ils ne se produisent. Quelque soit le soin apporté à l'étude et à la construction de n'importe quel type d'équipement, il existe un certain nombre de risques contre lesquels il est impossible de se prémunir sans compromettre l'accessibilité et le bon fonctionnement des organes.

Un conducteur prudent constitue la meilleure assurance contre les accidents. L'observation stricte d'une règle simple et unique permettrait d'éviter des milliers d'accidents graves chaque année. Cette règle est la suivante: Ne jamais tenter de nettoyer, graisser ou régler une machine en marche.

ATTENTION

Avant de procéder à l'entretien, au réglage ou à la réparation d'engins, tels que pelles, chargeuses, boteurs, scrapers, etc., munis d'équipements à commande hydraulique, mécanique ou par câbles, assurez-vous que ces équipements ont été descendus jusqu'au sol. Si, pour procéder à l'entretien, au réglage ou à la réparation des engins, il est nécessaire de lever partiellement ou entièrement les équipements à commande hydraulique, mécanique ou par câbles pour pouvoir accéder à certains organes, assurez-vous que ces équipements sont convenablement supportés par d'autres moyens que les cylindres de levage hydrauliques, les câbles ou les dispositifs mécaniques utilisés pour leur commande.



PARTS CATALOG SUPPLEMENT NO. 1
FR11
WHEEL LOADER

FR11 PARTS CATALOG FROM 73152088
(7 86)

ATTENTION: Insert this sheet in the front of publication as record or receipt. Replace or add pages in the publication according to instructions below.

Additional copies of this supplement are available. Please direct your request to:

FIATALLIS NORTH AMERICA Publications Services Dept.
701 Stevenson Drive · Springfield, IL 62703 U.S.A.

3/3 Revised
3/4 No Change

E101/1(1A) Added
E101/1(2A) Added

E101/1(3A) Added
E101/1(4A) Added

E101/1(5A) Added
Blank

E102 No Change
E108(1) Revised

E108(2) Revised
E108(3) Added
Blank
E302(1) 1/2 No Change

F401(6) Revised
F401(6B) Added

G101(1) No Change
G101(2) Added






G101/1 No Change
Blank

NOTICE
THE SE CHANGES ARE
INCLUDED IN THIS COPY

Any product change described in this publication is part of the continuing effort of Fiatallis to make its product responsive to customer need and is not to be construed as a field campaign. A product change may be incorporated with or without prior notice and without obligation to Fiatallis or its affiliates.

FR11

PARTS CATALOG - CATALOGO PARTI DI RICAMBIO - CATALOGUE DES PIECES DETACHEES
ERSATZTEILKATALOG - CATÁLOGO DE PIEZAS DE REPUESTO

- | | | |
|---|-------------------|--|
|  | WARNING | - study the operation and maintenance instruction manual through before starting, operating, maintaining, fueling or servicing this machine |
|  | ATTENZIONE | - leggere attentamente il manuale delle istruzioni per l'Uso e la Manutenzione prima di procedere alle operazioni di avviamento, impiego, manutenzione, rifornimento combustibile od altri interventi sulla macchina |
|  | ATTENTION | - lisez attentivement le manuel d'instruction pour la conduite et l'entretien avant d'effectuer les operations de mise en marche, utilisation, entretien, ravitaillement en combustible ou d'autres operations sur l'engin |
|  | ACHTUNG | - Betriebs - und Wartungsanleitung aufmerksam durchlesen, bevor das Gerät angelassen, gefahren, gewartet, betankt oder eingestellt wird |
|  | ATENCIÓN | - lea atentamente el manual de empleo y cuidado antes de poner manos a las operaciones de puesta en marcha, manejo, mantenimiento, repostado de combustible, y otras que fuere |

COPYRIGHT BY FIATALLIS

Reproduction of text and illustrations or any part thereof is not permitted
È vietata la riproduzione anche parziale del testo e delle illustrazioni
La reproduction même partielle du texte et des illustrations est interdite
Textnachdruck und Reproduktion der Abbildungen auch auszugsweise verboten
Se prohíbe la imitación o copia del texto y de los grabados

GENERAL INDEX

Ordering parts	Page	3
How to use the Catalog	3/1	
Alphabetical Index	3/3	
Identification	4	
Numerical Index	6	
Hose parts	7	
Painting and marking	8	
Kit list (part kits)	9	
Summary of major sections	10	

INDICE GENERALE

Istruzioni per ordinare i ricambi	Pag.	3/6
Avvertenze per la consultazione del catalogo	3/7	
Indice alfabetico	3/9	
Identificazione	4	
Indice numerico delle parti di ricambio	6	
Pezzi per tubi flessibili	7	
Vernici e decalcomanie	8	
Indice dei corredi ricambio	9	
Indice delle sezioni principali	10	

TABLE DES MATIERES

Instructions pour la commande des pièces détachées	Page	3/12
Mode d'emploi du catalogue	3/13	
Liste alphabétique	3/15	
identification	4	
Liste numérique des pièces détachées	6	
Pièces pour flexibles	7	
Peinture et decalcomanies	8	
Liste des jeux réparation	9	
Index des sections principales	10	

ALLGEMEINES VERZEICHNIS

Anweisung zur Bestellung von Ersatzteilen	Seite	3/18
Hinweise zum Gebrauch des Katalogs	3/19	
Alphabetisches Verzeichnis	3/21	
Kennzeichen	4	
Numerisches Ersatzteilverzeichnis	6	
Schlauchleitung Ersatzteile	7	
Verzeichnis der Ersatzteilsätze	9	
Lackierung und Bemalung	8	
Inhalt der Hauptabschnitte	10	

INDICE GENERAL

Cómo se piden los recambios	Págs.	3/24
Modo de empleo del catálogo	3/25	
Indice alfabético	3/27	
Identificación	4	
Indice numerico de las piezas	6	
Piezas para mangueras	7	
Pintura y calcomanias	8	
Indice dos juegos de reparación	9	
Indice de los capítulos principales	10	

NOTICE

The right is reserved to change the construction or material of any parts where it seems desirable to do so without incurring the obligation of installing such changes on units already delivered.

Additional publications pertaining to this model and to all other FIATALLIS products are available through FIATALLIS dealers. Publications are generally available in several languages.

Refer to Service Publications Index form 604.07.026 for all such publications; the Index is available from FIATALLIS dealers.

INSTRUCTIONS FOR ORDERING PARTS

At the time of this parts catalog was published the listed part numbers were current. It is our policy to constantly improve our machines and therefore, part numbers and design may change.

When ordering parts, verify part numbers through your dealer who has the latest parts information.

ORDER PARTS FROM THE DEALER COVERING THE LOCAL TERRITORY

Orders for spare parts must include the following data (see page 4):

- Model, Serial Number (Product Code and Unit Number), Engine model, Engine serial number (marked on engine block).
- Specify the part number (shown on Spare Parts Catalog list.) possibly completed by its description. If parts refer to an assembly which has a model or serial number, also include this information.
- Give post office address, town, county and state where parts are to be shipped.
- Also specify whether material is to be shipped by freight, express or parcel post, by surface or by air.
- Confirm all telephone or telegraph orders in writing.

Parts can only be returned to/through the dealer from whom the parts were purchased and must have prior written authorization. Each return will be treated individually.

Unless claims for shortages or errors are made immediately upon receipt of goods, they will not be considered.

When damaged goods are received, a full description of the damage should be made by the carrier agent on the freight bill.

FIATALLIS responsibility is limited, and ceases upon completion of sale conditions provided for each delivery.

HOW TO USE THE CATALOG

To locate parts correctly, consult the alphabetical index on page 3/3 or the numerical index on page 6. Both indexes will refer to the subgroup number in which the part is listed. The parts catalog is divided into major sections as listed on page 10, identified by the alpha digit of the subgroup number.

The catalog's illustrations and parts lists will provide the following information:

- (1a) and (1b) Subgroup number.
- (2a) and (2b) Sheet number, used when one subgroup covers several sheets.
- (2c) Indication that the parts list takes more than one page (in the example page 1 of 2).
- (3a) and (3b) Subgroups followed by / after the number indicates an optional or special equipment.
- (4) Updating indication. Example indicates that the last revision of this subgroup was made in February, 1981.
- (5) Subgroup title.
- (6a) Symbol indicating that a Repair Kit is included in the subgroup. In the example, the Kit, Item 12, includes Items 2 through 4(6b). The itemized components of each kit are listed on page 9 and are also identified as individual items (6c).
- (7a) Item. Key number cross referring the illustration item (7b) to the relevant part number (8).
- (7c) The item number can be replaced by a subgroup number (example L304) meaning that that item is listed in another subgroup.
- (8) Part number. Number for ordering parts.
- (9a) QTY. Total quantity of parts for one unit.
- (9b) —. The quantity to be established as required.
- (10) Code. Translation code for reference to the dictionary (lexicon) provided separately for interpretation of the description in languages other than English and Italian.
- (11) Description. Description of the part in English and Italian. In case of modifications, the part description is completed by EFFECTIVE SERIAL NUMBER INDICATIONS and DIRECTIONS FOR REPLACEMENT (as applicable).

Examples of Effective Serial Number Indications:

(12a) PRIOR TO UNIT NO. 00201, Install on machines with serial numbers up to 00201.

(12b) UNIT NO. 00201 AND UP, Install on machines with serial number from 00201 and up.

Examples of Directions for Replacement:

(13a) and (13b) Series 46C and 58M, indicates the whole subgroup or a specific part number is used on units identified by these product codes (see page 4).

Other useful indications may be provided under DESCRIPTION (11) such as:

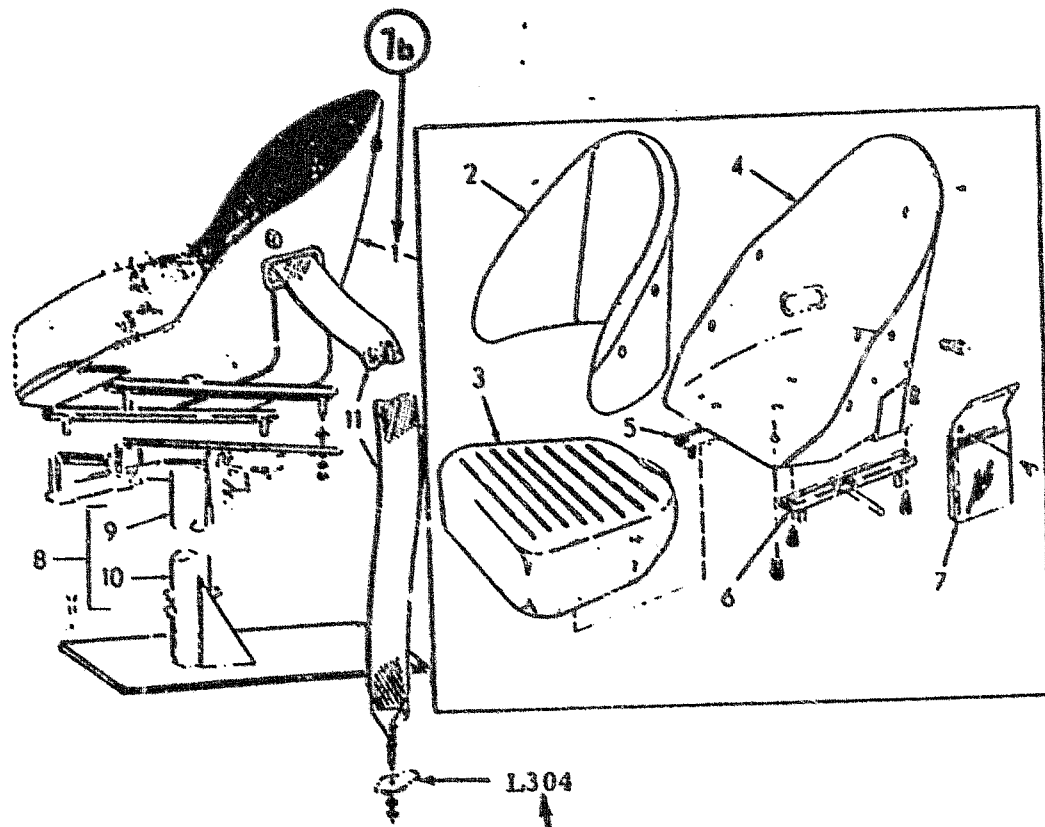
(14) (M101/2) REFER TO THIS SUBGROUP.

(15) Includes item(s) 2 through 7(2-7) i.e., if this part is ordered, all items 2 through 7 will be included.

(16) Standard part dimensional data. Notice also that attaching parts such as bolts, nuts, rivets, screws, washers, etc., are immediately following the itemized parts which they attach.

(17a) and (17b) Foot notes. Identified with a letter preceding the part number (i.e., a73073282). Please do not use the letter prefix when ordering the part.

Terms such as RIGHT, LEFT, FRONT AND REAR refer to the direction of machine forward travel.



ITEM	PART NO.	QTY.	CODE	DESCRIPTION	DEMINAZIONE
					M101/1(1) 1/2
					2c
					2b
					3b
					15
					1b
					11
					14
					12a
					12b
					10
					7a
					9a
					8
					3
					4
					5
					6
					7
					8
					9b
					17a
					16
					13b
					6b
					1a
					3a
					2a

NOT USED ON UNITS WITH CAB.
 NON USATO SU UNITA' CON CABINA.
 PAS UTILISE POUR ENGINES AVEC CABINE.
 NICHT VERWENDET AN MASCHINEN MIT KABINE.
 NO SE USA PARA MAQUINAS CON CABINA.

USAGE: Series 46C and 58M

SEAT & MOUNTING
 SEDILE E FISSAGGIO
 SIEGE ET SUPPORT
 FAHRSITZ UND EINBAU
 SILLA Y SOPORTE

M101/1

1

4 (Revised February 1981)

ALPHABETICAL INDEX

AIR APPLICATION VALVE ASSY G428(1)
 AIR BRAKES LINES C102(3)
 AIR CLEANER
 ASSEMBLY A222(2)(3)
 CONNECTIONS A222(2)(3)
 INDICATOR A222(2)(3)
 AIR COMPRESSOR & LINES G101(1)
 AIR COMPRESSOR MOUNTING (FREON) G101(2)(2A)
 AIR CONDITIONING
 ASSEMBLY E101/1(1A)
 DRYER & CONDENSER LINES E101/1(3)(4)(3A)(4A)
 ELECTRICAL SYSTEM E101/1(2A)
 EVAPORATOR & LINES E101/1(1A)
 HEATER E102/1A
 MOUNTING & LINES E101/1(1)(1A)(6)
 AIR DRYER & LINES G109(1)
 AIR HORN ASSY G447(1)(2)
 AIR HORN LINES G303
 AIR TANKS & LINES C102(4)
 ALCOHOL INJECTOR & LINES G471(2)
 ALTERNATOR & MOUNTING A119,F303
 ASPIRATOR A222(3)
 AUTOMATIC BOOM KICKOUT E326/1,E326/2
 AUTOMATIC BUCKET LEVELER E327/1,E327/2
 AXLE & MOUNTING
 FRONT B401
 REAR B403

 BATTERIES & CABLES F301
 BATTERY COVERS L130(2)
 BELT TENSIONER A409(3)
 BOOM E310
 BOOM KICKOUT E326/1/2
 BOOM PIPING E302/1
 BRAKE ASSY (PARKING) C135(1)
 BRAKE AIR LINES C102(3)
 BRAKE HEAD ASSEMBLY C119
 BRAKE HYDRAULIC LINES C102(1)
 BRAKE RESERVOIR C102(7)
 BREATHER
 BRAKE RESERVOIR C102(7)
 ENGINE A125
 TRANSMISSION B201
 BUCKET ASSY.
 GENERAL PURPOSE E314(1)(2)(3)(4)
 MULTI-PURPOSE E314/2
 BUCKET AUTOMATIC POSITIONING DEVICE E327
 BUCKET HYDRAULICS E302/1/3/4
 BUCKET LEVELER E327/1/2
 BUCKET LEVEL POSITION INDICATOR E327/4
 BUCKET TEETH E314/2,E314(3)(4)

CAB L103/1,L104(1)(7)(8)
 DEFROSTER FAN E108(1)(2)(3)
 DOOR L109(1)/2(3)
 GLASS L1J4(2)
 HEATER E102/1,1A,E108(4)
 REAR VIEW MIRROR L104(7),L308
 WASHERS F505(3)
 WIPERS F505(2A)(2B)(2C)
 WIRING F401(4B)(6B)
 CAMSHAFT A107
 CAMSHAFT DRIVE IDLER GEAR A106
 CANOPY L309
 COLD WEATHER START A243
 COMPRESSOR & LINES G101(1)(1A)
 COMPRESSOR ASSY G101/1,2
 COMPRESSOR MOUNTING 2M-5,6,7
 CONNECTING ROD A105
 CONTROLS
 BUCKET & BOOM E325,E325/1/2,3
 ENGINE A221(1),A240
 PARKING BRAKE C135(1)
 TRANSMISSION B207
 CONTROL VALVE ASSY.
 HYDRAULIC E331(1)(1A),E331/1(1)(1A)
 TRANSMISSION B233
 COWL & PLATFORM L130(1)
 COUNTERWEIGHT D101(2)
 COOLANT FILTER & LINES A402(2)
 CRANKSHAFT A103
 CRANKSHAFT & FLYWHEEL A103
 CRANKSHAFT PULLEY A104
 CYLINDERS
 BUCKET(MULTI-PURPOSE) E332/2,3
 DUMP E332(1),(1A)
 LIFT E332(2),(2A)
 MASTER E326/1/2
 SLAVE E326/1/2
 STEERING D212(2),(2A)
 CYLINDER BLOCK A101(1)
 CYLINDER HEAD A101(2)
 CYLINDER SLEEVE A101(1)

 DAMPER A104
 DIFFERENTIAL ASSY. (FRONT & REAR) B404,(A)(B)
 DIFFERENTIAL ASSY. (NO-SPIN) B404/1
 DIPSTICK
 ENGINE OIL A301(1)
 FUEL TANK A201
 TRANSMISSION B206(3)
 DRAWBAR D101(2)
 DRIVE SHAFT GROUP B316(1)(2)(3)(4)
 DUMP CYLINDER PIPING E302(2)

ELEMENTS
 AIR CLEANER A222(2)(3)
 ENGINE OIL FILTER A301(1)
 FUEL FILTER A226(1)
 HYDRAULIC TANK E328
 TRANSMISSION FILTER B217
 WATER FILTER A402(2)
 EMERGENCY STEERING SYSTEM
 PUMP D211/1
 PUMP D211/2,3
 ENGINE BREATHER A125
 ENGINE CONTROLS A221(1),A240
 ENGINE COOLANT HEATER A406
 ENGINE & MOUNTING A301
 ENGINE HEAT EXCHANGER A307
 ENGINE HEAT EXCHANGER COOLANT PIPING A402(5)
 ENGINE SHUT-OFF CONTROL A240
 ENGINE WATER HEATER A406
 EXHAUST MANIFOLD A254

 FAN & FAN DRIVE A409(1)(1A)
 FAN BELTS A409(1)
 FENDERS L304(1)/1
 FILTER CARE KITS 9/8
 FILTERS
 AIR A222(2)(3)
 ENGINE OIL A301(1)
 FUEL A226(1)
 HYDRAULIC TANK E328
 TRANSMISSION OIL B217
 WATER A402(2)
 FLEX DISC & CONVERTER DRIVE B105(2)
 FLYWHEEL A103
 FLYWHEEL HOUSING A102(1)
 FORWARD & FIRST RANGE CLUTCH B204(9)
 FRAME (FRONT & REAR) D101(1)(2)
 FUEL FILTER A224(2),A226(1)
 FUEL FILTER & LINES A224(2)
 FUEL PUMP (ELECTRIC) A224/1
 FUEL TANK & LINES A201

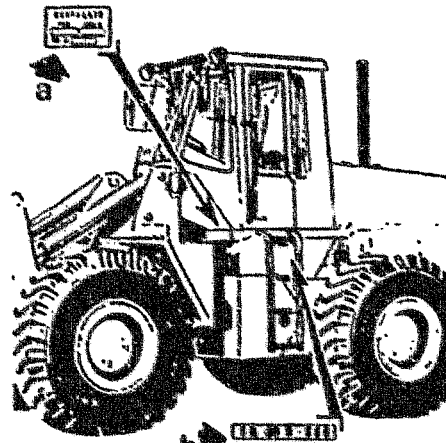
 GAUGES
 ENGINE OIL LEVEL A301(1)
 ENGINE OIL PRESSURE L102(2)
 ENGINE TEMPERATURE L102(2)
 FUEL LEVEL A201
 FUEL LEVEL (ELECTRIC) L102(3)
 HOURMETER L102(2),(3)
 HYDRAULIC OIL LEVEL E328
 TRANSMISSION OIL PRESSURE L102(2)
 TRANSMISSION OIL TEMPERATURE L102(2)

ALPHABETICAL INDEX

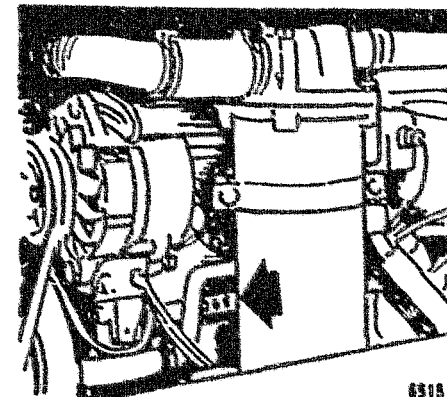
HEAD LIGHT	F629(1)(1B)	NOZZLE HOLDER ASSY	A224(4),A235,3/4	TANK	
HOOD	L101(1)	OIL COOLER		AIR	C102(4)
HORN	G303,G447	ENGINE	A307	FUEL	A201
HOSE PARTS	7	TRANSMISSION	B218	HYDRAULIC	E328
HYDRAULIC CONTROLS		OIL PAN	A102(1)	THERMOSTAT & HOUSING	A402(1)
SINGLE LEVER	E325/2,E325/3(1)(2)(3)	OIL PAN DRAIN	A102(1)	THIRD & FOURTH RANGE CLUTCH	B204(11)
2-SPOOL	E325	OIL PUMP ASSY	A302	THROTTLE PEDAL	A221(1)
3-SPOOL	E325/1	OIL PUMPS FILTER & PIPING	A301(2)(4)	TIMING GEAR HOUSING	A102(2)
HYDRAULIC PIPING (REAR SECTION)	E302(3)	PACKAGED PARTS	9	TIMING GEARS	A106,A107
HYDRAULIC PUMP & VALVE PIPING	E302(1)	PAINTING & MARKING	8	TIRE & WHEEL	D316(1)(2)(3)
HYDRAULIC TANK	E328	PARKING BRAKE ASSY	C135(2)	TOOL CARRIER HYDRAULIC CONTROL	E302/5
		PARKING BRAKE CONTROL	C135(1)	TOOL KIT	H101
INJECTION NOZZLE PARTS	A224(4),A235/3/4	PISTON & CONNECTING ROD	A103	TORQUE CONVERTER	B105(2)
INJECTION NOZZLES & LINES	A224(1)	PLATFORM	L130(1)	TORQUE CONVERTER HOUSING	B105(2)
INJECTION PUMP	A224(3)	POWER CLUSTER ASSY	G437	TRANSMISSION ASSY	B200
CAMSHAFT	A227(2)	POWER CONVERTER	L102/2		
DRIVES	A116,A116/1	PUMP DRIVES	B105(5)(6)	TRANSMISSION CONTROL	B207
HOUSING & COVERS	A227(1)	PUMPS		TRANSMISSION CONTROL VALVE	B233(1)(2)
LUBRICATION LINE	A301(4)	EMERGENCY STEERING	D211/2	TRANSMISSION DIPSTICK	B206(3)
SPEED GOVERNOR (COVER)	A228(1)	ENGINE OIL	A302	TRANSMISSION FILTER	B217
SPEED GOVERNOR (REGULATOR)	A228(2)(3)	HYDRAULIC	E329(2)	TRANSMISSION FILTER & MOUNTING	B217
SUPPLY PUMP	A225	INJECTION	A224(3)	TRANSMISSION HEAT EXCHANGER	B218(1)(1A)
INSTRUMENT PANEL ELECTRICAL COMPONENTS	L102(2)	WATER	A403,A	TRANSMISSION HEAT EXCHANGER PIPING	A402(3)
INSTRUMENT PANEL MOUNTING	L102(1)	RADIATOR ASSY	A401(2)	TRANSMISSION HOUSING & COVER	B201
INTAKE MANIFOLD	A254	RADIATOR HOSES & FAN GUARD	A401(1)	TRANSMISSION REAR OUTPUT GROUP	B204(4)
		RADIATOR SUPPORT, HOOD & SIDE PANELS	L101(1)	TRANSMISSION SHIFT LINKAGE	B207
LADDER, HANDRAIL & FENDERS	L304	REAR AXLE & MOUNTING	B403	TURBOCHARGER & MOUNTING	A252(2)
LIFT CYLINDER PIPING	E302(2)	RESERVOIR ASSY (BRAKE)	C102(7)	HOUSING	A252(3)
LIGHTS AND WIRING	F401(1)(3)F401/1,2,(7A)	REVERSE ALARM	F501	COMPONENTS	A252(4)
LIGHTING		REVERSE & SECOND RANGE CLUTCH	B204(10)	LUBRICATION LINES	A252(1)
DASH	F629(4)	SEAT & MOUNTING	M101(1,1A,2,2A,2B,3,4)	TURN SIGNALS	F629/1(3)
FLOOD	F629(2)(2B)(8)	SEAT BELTS	M101(1)	UNDERCARRIAGE GUARD	L312
HEAD	F629(1)(1B)	SHAFT & HUB (FRONT & REAR AXLE)	B411	UNIVERSAL JOINT	B916(1)(2)(3)(4)
TAIL	F629/1(5)	SIDE PANELS	L101		
TURN SIGNAL	F629/1(3)	SIGHT GAUGE	E329	VALVES	
LINKAGE GROUP	E910	SPEEDOMETER DRIVE	L102/3	AIR APPLICATION	G428(1)
LUBE OIL FILTER	A301(1)	STARTER	F205	AIR TANK DRAIN	G452
LUBRICATION LINES	A301(1)(4)	STARTER WIRING	F205(3)	CUSHION	D211(6)
LUBRICATION LINES REAR AXLES	B403	STEERING CYLINDER & MOUNTING PINS	D211(1),(1A)	EXHAUST	A107
		STEERING CYLINDER ASSY	D212(2),(2A)	HYDRAULIC CONTROL	E331(1)(1A),E331/1(1),(1A)
MANIFOLD-EXHAUST	A254	STEERING HYDRAULIC (COLUMN SECTION)	D211(3)	INTAKE	A107
MANIFOLD-INTAKE	A254	STEERING HYDRAULIC (CYLINDER SECTION)	D211(1)(1A)	MULTI-PURPOSE BUCKET	E302/3
MODEL SIGNS	L125	STEERING HYDRAULIC (PUMP & VALVE)	D211(2)	STEERING	D211(5)
MUFFLER	A258(1)(2)	STEERING SYSTEM (EMERGENCY)	D211/1	TRANSMISSION CONTROL	B233(1)(2)
MULTIPURPOSE BUCKET ASSY	E914/1	STEERING VALVE ASSY	D211(5)	VALVE OPERATING MECHANISM	A107
CYLINDER	E932/2,3			VANDALISM PROTECTION	Z101
HYDRAULICS	E302/3,4			WATER FILTER & LINES	A402(2)
				WATER PUMP & PIPING	A402(1)
				WATER PUMP DRIVE	A119
				WATER SEPARATOR	A402/1
				WHEEL	D316(1)(2)

IDENTIFICATION AND VERSION LIST - IDENTIFICAZIONE ED ELENCO DELLE VERSIONI
 IDENTIFICATION ET LISTE DES VERSIONS - KENNZEICHEN UND VERZEICHNIS DER VERSIONEN - IDENTIFICACION Y LISTA DE VERSIONES

MODELS MODELLI MODELES MODELLE MODELOS	ENGINEERING CODE DENOMINAZIONE TECNICA DESIGNATION TECHNIQUE TECHNISCHE BEZEICHNUNG DESIGNACION TECNICA	MODEL SERIAL NUMBER NUMERO DI MATRICOLA DEL MODELLO NUMERO DE SERIE DU MODELE MODELL-SERIENNUMMER NUMERO DE SERIE DEL MODELO		ENGINE MODEL MODELLO DEL MOTORE MODELE DU MOTEUR MOTORBAUMUSTER MODELO DEL MOTOR	NUMERICAL CODE CODICE NUMERICO CODE NUMERIQUE KENNUMMER CODIGO NUMERICO
		PRODUCT CODE CODICE PRODOTTO CODE DE PRODUCTION PRODUKT KODEX CODIGO DEL PRODUCTO	UNIT NO. TELAIO NUMERO DE L'UNITE EINHEITS-NR. NUM. DE LA UNIDAD		
FR11	76012300	R 11 B - 2T	530101	8065.25 SI	01



b
 Machine serial number location
 Posizione del numero di matricola della macchina
 Emplacement du numero de serie de la machine
 Ort der Seriennummer der Maschine
 Ubicación del numero de serie de la maquina



6318
 Engine serial number location
 Posizione del numero di matricola del motore
 Emplacement du numero de serie du moteur
 Ort der Seriennummer des Motors
 Ubicación del numero de serie del motor

RECORD YOUR SERIAL NUMBERS BELOW
 REGISTRARE I VOSTRI NUMERI DI MATRICOLA QUI SOTTO
 ENREGISTREZ VOS NUMEROS DE SERIE CI-DESSOUS
 UNTEN SERIENNUMMER VIERMERKEN
 ANOTE AQUI LOS NUMEROS DE SERIE

MACHINE SERIAL NUMBER - MATRICOLA DELLA MACCHINA
 NUMERO DE SERIE DE LA MACHINE - SERIENNUMMER DER MASCHINE
 NUMERO DE SERIE DE LA MAQUINA

ENGINE SERIAL NUMBER - MATRICOLA MOTORE
 NUMERO DE SERIE DU MOTEUR - SERIENNUMMER DES MOTORS
 NUMERO DE SERIE DEL MOTOR

NUMERICAL INDEX - INDICE DELLE PARTI DI RICAMBIO - INDEX DES PIECES DETACHEES - ERSATZTEIL-VERZEICHNIS - INDICE DE PIEZAS DE REPUESTO

00000000..	0	00772620..	A228(1)	00773328..	A227(2)	00773842..	A228/1(2)	00775019..	A235/4	04578950..	A107	04626119..	A402(1)	04699135..	A402(1)
00000010..	E314(1)	00772621..	A228(2)	00773329..	A227(2)	00773843..	A228/1(2)	00775016..	A235/4	04578951..	A107	04626469..	A226(1)	04699783..	A107
00077014..	A235/4	00772648..	A228(2)	00773330..	A227(2)	00773854..	A228/1(2)	00775017..	A235/4	04579906..	G101(1)	04626466..	A226(1)	04703088..	A402(1)
00340772..	A201	00772649..	A228(1)	00773336..	A227(2)	00773855..	A228/1(2)	00775018..	A235/4	04577730..	A302	04630430..	A254	04704106..	A103
00561293..	A301(1)	00772650..	A228(1)	00773344..	A227(2)	00773963..	A228(2)	00775019..	A235/4	04599398..	A107	04631091..	A254	04704462..	A252(1)
00561353..	A224(2)	00772652..	A228(1)	00773348..	A227(2)	00773964..	A228(2)	00775021..	A228(1)	04599557..	A403	04631052..	A254	04706579..	A403
00563553..	A107	00772653..	A228(1)	00773350..	A228(1)	00774059..	A228(1)	00775022..	A228/1(2)	04599560..	A403	04632108..	A252(2)	04706880..	A403
00564530..	A116/1	00772666..	A228(1)	00773351..	A228(2)	00774074..	A227(1)	00775023..	A228(1)	04599561..	A402(1)	04632113..	A252(1)	04707775..	A103
00597248..	A101(2)	00772703..	A228(1)	00773353..	A228(2)	00774098..	A225	00775025..	A235/4	04599562..	A402(1)	04632117..	A252(1)	04707776..	A103
00599777..	A301(1)	00772726..	A228(2)	00773354..	A228(2)	00774119..	A228(2)	00775026..	A235/4	04599607..	A101(1)	04632123..	A252(2)	04707779..	A103
00740314..	A224(2)	00772759..	A228/1(2)	00773356..	A228(1)	00774120..	A228(2)	00775027..	A235/4	04599809..	A402(1)	04636339..	A252(2)	04707780..	A103
00759850..	A224(2)	00772761..	A228/1(2)	00773357..	A228(1)	00774121..	A228(2)	00775028..	A235/4	04600128..	F303	04636933..	A409(1)	04708063..	A103
00771326..	A224(4)	00772823..	A228(1)	00773358..	A228(1)	00774150..	A228(2)	00775029..	A235/4	04600189..	A104	04639561..	A107	04708064..	A103
00772050..	A227(2)	00772825..	A228(1)	00773437..	A225	00774151..	A228(2)	00775030..	A235/4	04600190..	A104	04648421..	A107	04708069..	A103
00772051..	A235	00772826..	A228(1)	00773441..	A225	00774168..	A228(1)	00775031..	A235/4	04600993..	A125	04648422..	A107	04708070..	A103
00772056..	A225	00772827..	A228(1)	00773442..	A225	00774184..	A228(3)	00775032..	A235/4	04601299..	A107	04653282..	A102(1)	04708213..	A116
00772057..	A228(2)	00772828..	A228(1)	00773445..	A227(2)	00774187..	A228(3)	00775048..	A227(2)	04601296..	A107	04653283..	A102(1)	04710917..	A101(1)
00772114..	A225	00772829..	A228(1)	00773469..	A228(1)	00774188..	A228(3)	00775116..	A235/4	04601884..	G101(1)	04655844..	A103	04710918..	A101(1)
00772115..	A225	00772830..	A228(1)	00773564..	A228(2)	00774253..	A228(3)	00775117..	A225	04603448..	A107	04655847..	A104	04718740..	A102(1)
00772117..	A225	00772847..	A228(1)	00773566..	A228(2)	00774254..	A228(3)	00775121..	A225	04603449..	A107	04657229..	G101/1	04719116..	A252(2)
00772124..	A225	00772919..	A228(3)	00773576..	A228(2)	00774257..	A228(3)	00775123..	A227(2)	04603450..	A107	04658663..	A402(1)	04719237..	A252(2)
00772125..	A225	00773039..	A227(2)	00773577..	A228(2)	00774258..	A228(3)	00775146..	A235/4	04603451..	A107	04659217..	A224(2)	04719238..	A252(2)
00772127..	A225	00773153..	A227(1)	00773623..	A228(1)	00774259..	A228(3)	00775337..	A228(3)	04604833..	A116	04659218..	A224(2)	04719705..	A301(1)
00772387..	A228(2)	00773184..	A225	00773624..	A228(1)	00774260..	A228(3)	00775486..	A228(3)	04605220..	A301(1)	04659219..	A224(2)	04719706..	A301(1)
00772477..	A228(2)	00773204..	A228(1)	00773627..	A228(1)	00774261..	A228(3)	01116831..	E332(2)	04605564..	A102(1)	04651543..	A402(1)	04723150..	A254
00772480..	A228(2)	00773218..	A227(2)	00773634..	A228(1)	00774262..	A228(3)	01190579..	F205	04607590..	A116/1	04663081..	A254	04724223..	A307
00772482..	A228(2)	00773219..	A227(2)	00773639..	A228(3)	00774263..	A228(3)	01307188..	F303/1	04607786..	A102(1)	04665029..	A101(1)	04724554..	A307
00772484..	A228(2)	00773221..	A227(2)	00773661..	A228(3)	00774264..	A228(3)	01390713..	A301(4)	04607792..	G101(1)	04667452..	A106	04724588..	A307
00772485..	A228(2)	00773223..	A227(1)	00773680..	A228(2)	00774267..	A228(3)	04031577..	A102(2)	04608370..	A107	04667498..	A116	04724740..	A125
00772486..	A228(2)	00773250..	A227(1)	00773689..	A228(2)	00774272..	A227(2)	04033229..	A252(1)	04608490..	G101(1)	04670063..	A101(2)	04724747..	A402(5)
00772558..	A228/1(2)	00773252..	A227(2)	00773699..	A228(2)	00774339..	A228(1)	04094290..	F205(3)	04613353..	A302	04673610..	A107	04724814..	A402(5)
00772566..	A228(1)	00773254..	A227(2)	00773701..	A228(2)	00774340..	A228(1)	04232606..	A101(2)	04615276..	A102(2)	04681251..	A107	04725351..	A125
00772567..	A228(1)	00773286..	A227(2)	00773702..	A228(2)	00774417..	A225	04318965..	A409(2)	04616630..	G101(1)	04681776..	A402(2)	04727847..	B218(1)
00772568..	A228(1)	00773287..	A227(2)	00773703..	A228(2)	00774489..	A228(3)	04338920..	A107	04617069..	A301(4)	04682937..	A107	04727848..	B218(1)
00772577..	A228(2)	00773321..	A227(2)	00773712..	A228(2)	00774503..	A228(1)	04547718..	A409(3)	04617482..	A301(1)	04690352..	A107	04727849..	B218(1)
00772579..	A228(1)	00773322..	A227(2)	00773714..	A228(2)	00774507..	A228(3)	04551493..	A224(2)	04618309..	A224(2)	04690506..	A107	04728626..	B218(1)
00772609..	A228(1)	00773323..	A227(2)	00773715..	A228(2)	00774538..	A227(2)	04562234..	G109(1)	04619403..	A116/1	04690507..	A107	04728627..	B218(1)
00772611..	A228(1)	00773325..	A227(2)	00773763..	A228/1(2)	00774774..	A227(2)	04570798..	A107	04619552..	A301(1)	04690508..	A107	04728628..	B218(1)
00772618..	A228(1)	00773326..	A227(2)	00773773..	A228/1(2)	00774841..	A228(2)	04570799..	A107	04619558..	A224(2)	04690522..	A101(2)	04728636..	B218(1)
00772619..	A228(1)	00773327..	A227(2)	00773841..	A228/1(2)	00774904..	A228(3)	04578175..	A107	04625173..	A107	04690523..	A101(2)	04728639..	A402(1)

AMERICAN INDEX - INDICE DELLE PARTI DI RICAMBIO - INDEX DES PIECES DETACHEES - ERSATZTEIL-VERZEICHNIS - INDICE DE PIEZAS DE REPUESTO

04728640..	A02111	04737193..	F303	04778432..	A103	04776344..	A107	04784886..	A234(2)	09927791..	F205/1	10398450..	B218(1A)
04733957..	B218(1A)	04758242..	A09(3)	04778455..	A107	04776650..	A234(1)	04784887..	A234(2)	09927792..	F205/1	10300671..	E303(1)
04733960..	B218(1)	04758245..	A09(3)	04778614..	A03	04776723..	B218(1)	04784890..	A234	09927795..	F205/1	10300711..	B218(1)
04733960..	A301(1)	04758245..	A10(1)	04778614..	A10(1)	04776825..	B218(1A)	04784905..	A234(2)	09927796..	F205/1	10304411..	B201
04733960..	F205/1	04760280..	A10(1)	04778624..	A10(1)	04776826..	B218(1A)	04784907..	A234/4	09929654..	A227(2)	10395111..	B201
04733960..	A224(1)	04762327..	A22(1)	04778632..	A103	04776827..	B218(1A)	04784910..	A234(4)	10005010..	G135(1)	10309171..	A103(1)
04733960..	A301(1)	04762364..	A02(3)	04778634..	A103	04776828..	B218(1A)	04784911..	A119	10309171..	L109(A)	10333310..	A228(1)
04741072..	A234(2)	04762366..	A02(5)	04778635..	A224(1)	04777103..	9	04786099..	A119	10147886..	A02(3)	10374911..	B233(1)
04741955..	A02(3)	04763099..	A307	04778635..	A105	04777104..	9	04787134..	A236(1)	10160401..	A09(3)	10376711..	A228(2)
04752149..	B218(1)	04763439..	A301(4)	04777242..	A116/1	04777105..	9	04787135..	F205/2	10180701..	A101(1)	10376821..	A227(1)
04752149..	A228(1)	04763440..	A301(4)	04777247..	A103	04778409..	A234(1)	04788034..	A001	10181717..	A224(1)	10377211..	A228(1)
04752149..	A09(2)	04764577..	A301(4)	04777248..	A103	04778857..	A101(2)	04788096..	A103	10182817..	A224(2)	10377311..	A227(2)
04753137..	A301(1)	04764856..	A09(1)	04777249..	A103	04779122..	A103	04788381..	B218(1A)	10183317..	A224(2)	10379011..	A228(2)
04753137..	A301(1)	04764899..	G101(1)	04777250..	A103	04779659..	A301(1)	04789034..	A102(2)	10184411..	G101(1)	10394411..	G437(1)
04753141..	A301(1)	04764901..	G101(1)	04777251..	A103	04779773..	A232(1)	04790837..	A03(A)	10184417..	G101(1)	10399421..	A228(2)
04753433..	A02(1)	04764903..	G101(1)	04777257..	A103	04780358..	A03(A)	04790839..	A03(A)	10203720..	A228(1)	10399421..	E108(1)
04753563..	A234	04765377..	A22(2)	04777258..	A103	04780512..	A234(4)	04790863..	A234	10203910..	A105	10441390..	A224(2)
04753719..	A102(1)	04765126..	A102(2)	04777259..	A103	04780627..	A105	04791124..	A02(1)	10205220..	A227(2)	10444631..	L102(3)
04754062..	A103	04765987..	A102(2)	04777260..	A103	04780985..	A105	04791125..	9	10237030..	B218(1)	10444711..	L101(1)
04754064..	A103	04766412..	A106	04777261..	A103	04780986..	A103	04792651..	A107	10237050..	B218(1)	10444711..	L101(1)
04754069..	A101(1)	04769413..	A106	04777268..	A103	04780987..	A103	04792652..	A03(A)	10237050..	A02(3)	10450390..	F401(A)
04754153..	A221(1)	04769414..	A106	04777270..	A103	04780988..	A103	04792653..	A103	10239960..	C102(1)	10450690..	G303
04754153..	A321(1)	04769416..	A106	04777273..	A103	04780989..	A103	04792664..	D211(1)	10260060..	A123	10316471..	F301
04754400..	A103	04769418..	A106	04777275..	A103	04780990..	A103	04792665..	B207	10260160..	A224(1)	10316477..	L109(2)
04754401..	A103	04769419..	A106	04777277..	A103	04781312..	A103	04792666..	E328	10263160..	A307	10316679..	F103/1
04754492..	A321(2)	04769420..	A106	04777282..	A103	04781578..	A102(2)	04792666..	A301(4)	10263360..	A02(3)	10316870..	B218(1)
04754566..	A234	04769424..	A116	04777287..	A103	04781579..	A102(2)	04792667..	A02(1)	10263460..	B201	10316879..	F205/1
04754672..	A234	04769427..	A116	04777289..	A103	04781579..	A102(2)	04792668..	F301	10264650..	B217	10317071..	A221(3)
04754857..	A104	04769429..	A116	04777291..	A09(2)	04782433..	A301(1)	04792669..	G101(1)	10265460..	A101(1)	10317179..	E332(2)
04754860..	A119	04769431..	A116	04777295..	A103	04782435..	A102(1)	04792670..	A224(1)	10273311..	A307	10319201..	L102(3)
04754861..	A09(2)	04769877..	A125	04777299..	A103	04782785..	A103	04792671..	A03(A)	10273311..	B411	10319301..	F205/1
04754978..	G101(1)	04770308..	A307	04778064..	A301(1)	04782868..	A101(2)	04792672..	E310	10278311..	B401	10319401..	E108(A)
04755010..	A307	04770323..	A302	04778403..	A102(1)	04782934..	A101(1)	04792673..	E332(2)	10279360..	A232(2)	10319601..	A116
04755011..	A307	04770354..	A302	04778408..	A119	04783070..	A234(2)	04792676..	E332(1)	10280060..	A224/1	10319611..	A234
04755015..	A302	04770355..	A302	04778408..	A224(1)	04783241..	A101(2)	04792678..	E332(1)	10282460..	C102(3)	10319621..	A102(2)
04755016..	A302	04770359..	A302	04778407..	A224(2)	04783478..	A03	04792679..	G101/1	10284953..	F303(2B)	10319650..	A101(2)
04755435..	A221(1)	04770362..	A302	04778411..	A224(2)	04784432..	A16/1	04792680..	G101/1	10285160..	A101(1)	10320101..	E302(1)
04755436..	A221(1)	04770363..	A02(1)	04778412..	A224(2)	04784437..	B218(1A)	04792681..	G101/1	10295560..	B401	10320101..	B233(1)
04755550..	A09(1)	04770425..	A02(1)	04778423..	A224(2)	04784445..	B218(1A)	04792682..	F205/1	10297060..	E101/1(1)	10320101..	A227(1)
04755594..	A104	04770451..	A103	04778431..	A224(2)	04784473..	A102(1)	04792683..	F205/1	10297260..	A235/3	10320101..	A224(2)
04755694..	A103	04770451..	A103	04778431..	A107	04784803..	A107	04792685..	F205/1	10298360..	G101(1)	10320101..	A221(1)

NUMERICAL INDEX - INDICE DELLE PARTI DE RICAMBIO - INDEX DES PIECES DETACHEES - ERSATZTEIL-VERZEICHNIS - INDICE DE PIEZAS DE REPUESTO

10371579..	E108(A)	10903431..	L104(1A)	11194271..	B218(1)	12035471..	A228(1)	12644301..	L101(1)	14048227..	A254	14328101..	A103	14496721..	C135(1)
10371721..	B207	10903630..	A221(1)	11195479..	F205/1	12035671..	A227(1)	12644921..	F629/1(5)	14048711..	B218(1)	14328201..	A101(1)	14496731..	M101(1A)
10371771..	L308	10913034..	D211(4)	11197771..	A116/1	12077186..	A402(5)	12646521..	F301	14048727..	A252(2)	14328301..	A107	14496801..	E310
10371779..	A401(2)	10978221..	A224(2)	11198071..	A107	12164011..	A102(1)	12646701..	A301(1)	14054511..	L104(1A)	14328401..	A101(1)	14497107..	F629(2A)
10371870..	L308	10979431..	F629/1(5)	11198371..	A104	12164321..	E314(3)	12646721..	L308	14150290..	F401(4A)	14328511..	A101(1)	14497821..	F303/1
10371871..	L304/1	11039720..	A228(1)	11198671..	A307	12164521..	E314(4)	12646801..	F303	14157370..	E328	14329101..	B201	14499401..	F205/1
10371879..	L103/1	11037876..	B201	11198679..	F307	12164711..	F303	12646921..	F505(3A)	14161670..	L109(A)	14329901..	A101(1)	14499431..	E328
10371979..	E109(A)	11058676..	B201	11200171..	A102(1)	12164721..	L304/1	13272617..	L102(2)	14161970..	B207	14358630..	B233(1)	14522421..	H101
10615771..	E329(2)	11060076..	E329(2)	11212613..	B200	12164740..	A402(1)	13274417..	F629/1(3)	14165470..	A101(1)	14359424..	B233(2)	14525021..	H101
10718021..	F629/1(3)	11061576..	A409(2)	11234721..	A307	12173690..	E108(B)	13276011..	L102(2)	14183871..	L109(A)	14420220..	E329(2)	14549579..	H101
10719321..	F505(3A)	11062976..	B204(4)	11259080..	9	12173790..	A201	13276211..	L102(2)	14189876..	F401(4A)	14420231..	E302(2)	14549879..	H101
10719421..	E302(1)	11065579..	A107	11270160..	B233(2)	12173890..	A252(1)	13276811..	L109(3)	14196670..	A107	14453589..	A224(1)	14550079..	H101
10722911..	A240	11066776..	B105(6)	11270260..	9	12174090..	A129	13277311..	L109(3)	14238031..	B411	14453981..	A224(1)	14582790..	H101
10726721..	B404	11066876..	D211/3	11270360..	A252(1)	12174190..	E109(3)	13299111..	L109(3)	14238131..	B411	14454980..	E329(2)	14589090..	H101
10727721..	B404(A)	11067476..	B204(1)	11270560..	9	12174590..	A222(2)	13305111..	F205/1	14257831..	B404	14456081..	E329(2)	14604070..	B105(2)
10730321..	B201	11068376..	B105(5)	11270860..	9	12174790..	A001(1)	13311011..	L109(3)	14259231..	B404	14457180..	E328	14607270..	B404
10730521..	A252(2)	11069376..	B411	11270960..	9	12174890..	A252(2)	13311411..	L109(3)	14278331..	B401	14457281..	A302	14609770..	B105(2)
10734201..	A228(2)	11037876..	A228(2)	11271160..	D211/1	12177090..	A222(2)	13406911..	B301	14278431..	B411	14457481..	A307	14625979..	H101
10734301..	C135(1)	11103031..	B103(2)	11306921..	A307	12177390..	A201	13407211..	E310	14278531..	B401	14457581..	A307	14626030..	H101
10788221..	C102(3)	11103034..	M101(1A)	11306930..	A001	12179490..	A224(1)	13412190..	B401	14278631..	B404	14458281..	A307	14626290..	H101
10788711..	F205/1	11103071..	C102(1)	11307021..	A102(1)	12119990..	B101(1)	13421376..	A116	14279431..	B404(B)	14463280..	E302(1)	14626671..	H101
10791011..	L101(1)	11106031..	E302(2)	11343721..	A104	12180990..	E328	13449424..	A409(3)	14282170..	A101(2)	14463281..	A402(1)	14638079..	H101
10794011..	L101(1)	11106134..	C135(2)	11343821..	G101(2)	12181830..	E302(1)	13449521..	A402(1)	14282470..	A101(2)	14463780..	E302(1)	14638179..	H101
10795001..	A228(1)	11106231..	L312	11343830..	A402(3)	12183590..	A222(2)	13449910..	A402(1)	14282770..	A101(1)	14463880..	A102(1)	14641392..	L109(2)
10795101..	A240	11106234..	C135(2)	11390531..	A401(1)	12184290..	A222(2)	13516221..	A107	14282970..	A101(2)	14464380..	E302(1)	14641792..	E108(B)
10795701..	A228(1)	11106421..	E329(2)	11391521..	G101(2)	12574111..	L109(3)	13516724..	B105(5)	14302226..	E329(2)	14464680..	E302(1)	14761820..	B233(2)
10796400..	B404	11106424..	B105(2)	11408321..	A102(1)	12574211..	F205/1	13517530..	A224(4)	14304120..	B233(1)	14465780..	E333(1)	14791831..	A103
10839610..	A302	11107231..	A103	11500210..	A227(1)	12574321..	A221(1)	13517720..	A102(2)	14304720..	B233(1)	14466080..	E332(1)	15201011..	F205/1
10902021..	9	11111231..	A222(3)	11701721..	L101(1)	12574511..	B316(1)	13543321..	A254	14305430..	A222(2)	14469480..	B411	15504221..	B411
10902031..	F505(3A)	11112431..	F505(3A)	11702921..	A222(3)	12601071..	B233(1)	13546621..	A224(2)	14306524..	B233(2)	14469980..	B411	15540721..	A307
10902131..	A221(1)	11119831..	E310	11797721..	A102(1)	12611404..	L104(7)	13547521..	B218(1)	14306624..	B233(2)	14473280..	E332(2)	15541824..	F303
10902221..	A228(1)	11124530..	A001	11806730..	B411	12625201..	L104(7)	13550401..	B218(1)	14307531..	B105(2)	14483080..	A102(1)	15672677..	L109(A)
10902231..	E108(B)	11124721..	A001	11902111..	G101(1)	12637801..	L109(3)	13598411..	A409(1)	14372774..	D211/3	14496401..	F205/1	15698301..	F401(4A)
10902321..	A116/1	11125051..	A001	11903011..	A254	12638101..	L104(7)	13709410..	B204(1)	14323911..	A101(1)	14496421..	L102(2)	15693306..	L104(7)
10902421..	A228(1)	11190311..	A409(3)	11903211..	B218(1A)	12638501..	H101	13737311..	A228(3)	14324211..	A101(1)	14496501..	A402(1)	15888721..	B316(1)
10902431..	F501	11190321..	G101(1)	11903271..	A101(1)	12638601..	L308	13739811..	A403(A)	14325001..	A403	14496521..	F301	15888724..	A402(1)
10902521..	A228(1)	11190571..	A402(1)	11903811..	A224(1)	12638621..	F401(7A)	13748710..	A403	14325201..	A402(1)	14496531..	M101(1A)	15888821..	B218(1)
10902621..	L101(1)	11190579..	A119	11903817..	A301(4)	12641301..	L101(1)	13790131..	B233(2)	14325601..	A102(1)	14496601..	G101(2)	15888831..	L304/1
10903021..	A102(2)	11193871..	A107	12034571..	A228(2)	12642501..	B218(1)	14036824..	B233(2)	14327101..	A116/1	14496667..	A224(2)	15896211..	A102(2)
10903211..	E108(A)	11193979..	F303	12034771..	A227(2)	12643701..	E108(B)	14048217..	A301(1)	14327401..	A101(1)	14496631..	M101(1A)	15896221..	9

NUMERICAL INDEX - INDICE DELLE PARTI DI RICAMBIO - INDEX DES PIÈCES DÉTACHÉES - ERSATZTEIL-VERZEICHNIS - INDICE DE PIEZAS DE REPUESTO

15896421..	A228(1)	16043334..	H101(1A)	16500311..	A252(1)	70194955..	G428(1)	70694172..	E314/2	70731647..	L102(2)	70906961..	E328	70912441..	E314/3
15903966..	L104(7)	16043411..	F209/1	16550160..	A254	70194956..	G428(1)	70694250..	E302/3	70732623..	8	70907060..	A406/1	70912589..	A243
15903961..	L164(7)	16043421..	A107	19033192..	A224(1)	70194957..	G428(1)	70694252..	E302/3	70738569..	8	70907154..	F401/7	70912772..	L304/1
15909301..	L109(2)	16043431..	B204(1)	20063410..	B207	70194958..	G428(1)	70694266..	E314/2	70739370..	8	70910123..	E325/2	70912808..	B301
15909906..	L104(7)	16043431..	L109(3)	24779910..	B204(4)	70194961..	G428(1)	70694276..	E314/3	70738571..	8	70910195..	E327/1	70913177..	E325
15923601..	A401(1)	16043524..	A119	24941650..	F303/1	70194963..	G428(1)	70695975..	E325	70739618..	F629/1(5)	70910231..	C119	70913237..	C102(1)
15970121..	A252(1)	16043621..	A116	24941660..	F303/1	70194964..	G428(1)	706961074..	G109(1)	70739619..	F629/1(5)	70910243..	L109	70913709..	A221(1)
15970321..	L101(1)	16043630..	B207	24979400..	B105(5)	70194969..	G428(3)	706961494..	E325/2	70739621..	F629/1(5)	70910244..	E327/1	70914015..	F505(2)
15970521..	A101(2)	16043631..	A401(2)	24979900..	B105(2)	70194975..	G428(3)	706961455..	E325/2	70739622..	F629/1(5)	70910259..	E325	70914120..	F505(2)
15970530..	F301	16043634..	B204(4)	26797970..	B105(2)	70196735..	C102(4)	706961456..	E325/2	70739372..	L101(1)	70910267..	A240	70914465..	E314/2
15970721..	A402(3)	16043724..	B105(2)	38824001..	A402(3)	70196199..	G109(1)	706962608..	A222(2)	70739603..	C102(3)	70910283..	F401/7	70914498..	H101(2)
15970724..	A119	16043821..	A116/1	40000010..	A102(2)	70197211..	A240	706963977..	E328	70739627..	D316(2)	70910285..	A406/1	70914501..	L312
15970731..	L109(3)	16043831..	A401(2)	40003800..	A102(1)	70197810..	A222(2)	706964343..	A222(2)	70739628..	D316(2)	70910286..	A406/1	70914626..	G303
15970921..	B218(1)	16043834..	L309	45013953..	E328	70199375..	E302/3	706964853..	A201	70739629..	B207	70910287..	E302/3	70914678..	E326/1
15970924..	F303	16043921..	A240	45013956..	F303	70199012..	E314(4)	706965726..	E328	70739788..	8	70910310..	E101/1(4)	70914726..	E314/3
15970930..	A001	16043931..	E108(3)	45019482..	8	70243526..	F301	706966421..	E328	70739808..	D211(1)	70910323..	A222(2)	70915256..	B316(3)
15971321..	G101(2)	16044021..	A101(2)	45019983..	E328	70248860..	A222(2)	706969359..	A243	70740602..	D101(2)	70910324..	E326/1	70915276..	E310
15971521..	A224(2)	16044121..	G101(1)	45019984..	E328	70252471..	D211(3)	706974473..	G428(1)	70900366..	A402(2)	70910329..	E325	70915514..	G471(1)
15971524..	A402(1)	16044221..	A102(2)	45019985..	E328	70605164..	G109(1)	706977004..	G303	70900505..	L101(1)	70910333..	A402/1	70915797..	E325/2
15971621..	A402(1)	16044224..	B201	45019986..	E328	70617260..	E326/2	706977005..	A240	70900555..	F401/7	70910349..	C102(1)	70915798..	D211/1
15971811..	A102(1)	16044230..	A256(1)	45020008..	E328	70617932..	E325/2	706977006..	A240	70900802..	E328	70910376..	A221(1)	70915813..	G452
15971921..	A307	16044321..	A301(1)	45020921..	E108(A)	70619260..	E326/1	706977008..	A201	70900806..	E325	70910880..	E101/1(5)	70915841..	C102(1)
15972024..	A402(1)	16044421..	A301(1)	45482288..	E328	70638413..	E326/1	706977010..	E314(1)	70900816..	E108	70911015..	L102(2)	70915842..	C102(1)
15972421..	A409(1A)	16044521..	A107	45483416..	D211(4)	70639073..	F505(2)	706977012..	A001	70901165..	E101/1(4)	70911017..	C102(4)	70915874..	E325
15972721..	A402(1)	16044621..	A102(2)	45483428..	D211(4)	70639074..	F505(2)	706978984..	E328	70901489..	A405/1	70911018..	G303	70915891..	D211/1
15972811..	A102(1)	16044731..	E327/1	45483430..	D211(4)	70639916..	E325/2	706979995..	Z101	70901678..	G109(1)	70911024..	A406/1	70915972..	E310
15980321..	B218(1)	16044821..	A307	45483432..	D211(4)	70646243..	E312(2)	706980077..	Z101	70901781..	A240	70911025..	A406/1	70916170..	B316(3)
15987921..	A409(2)	16044921..	A125	45483434..	D211(4)	70646728..	E302/1	706982114..	C102(4)	70901810..	C102(4)	70911026..	E302/3	70916202..	G428(1)
16042724..	B205(3)	16045021..	G101(1)	60093124..	F301	70646860..	A222(2)	706982117..	C102(3)	70901835..	E101/1(6)	70911027..	A402/1	70916284..	E326/2
16043021..	B207	16045621..	A125	70044810..	G109(1)	70647416..	E302/1	706984010..	E326/1	70903764..	A222(2)	70911028..	G109(1)	70916309..	E314/2
16043024..	B201	16045934..	D211/1	70061656..	A401(1)	70648097..	A222(2)	706984378..	E314(4)	70904001..	A221(1)	70911029..	E314/2	70916352..	L104(4)
16043031..	L104(1A)	16100011..	F401(4A)	70067487..	E326/1	70648977..	E314(1)	706984732..	A222(2)	70904204..	F401/2	70911030..	E314/2	70916390..	L104(1)
16043221..	A307	16100013..	A107	70088428..	E325	70652419..	E302/3	706987557..	L104(1)	70904205..	A402(2)	70911042..	E326/1	70916584..	E327/1
16043274..	B201	16100821..	H101	70089894..	A402(2)	70653253..	E314/2	706987663..	H101(1)	70904206..	E302(1)	70911114..	B207	70916589..	L101(1)
16043281..	F629/1(3)	16101311..	F303	70160425..	G109(1)	70653570..	E325	706988057..	E101/1(12)	70904208..	E302(1)	70911115..	C119	70916622..	F505(2)
16043311..	F401(1)	16102221..	E329(2)	70166222..	G109(1)	70654115..	E302/3	706990019..	C102(3)	70904239..	A405/1	70911841..	A245	70916803..	F505(2)
16043321..	A102(1)	16102311..	G101(2)	70181478..	G303	70654125..	E302/3	70699469..	F301	70904271..	C102(4)	70911896..	L109	70916871..	A224/1
16043324..	B103(3)	16102621..	F505(2A)	70183714..	A243	70654127..	E314/2	706995470..	F301	70904273..	G109(1)	70911987..	A402(2)	70917013..	G403
16043330..	E327/1	16104111..	A101(2)	70191848..	G428(2)	70654132..	E314/2	70729692..	E310	70906916..	A221(1)	70912298..	E327/1	70917237..	E101/1(2)
16043331..	E328	16321021..	A106	70194953..	G428(1)	70654170..	E332/2	70729693..	E310	70906960..	L104(1)	70912299..	L308	70917329..	G452

NUMERICAL INDEX - INDICE DELLE PARTI DE RICAMBIO - INDEX DES PIECES DETACHEES - ERSATZTEIL-VERZEICHNIS - INDICE DE PIEZAS DE REPUESTO

70917351..	C102(3)	70919219..	E325/2	70921216..	A201	70922262..	L300	70923212..	F401(4)	70925094..	B207	70927219..	E314/3	70928623..	C102(3)
70917354..	C102(3)	70919262..	E328	70921227..	E302/1	70922287..	B217	70923276..	E302/1	70925097..	C102(1)	70927328..	L130(1)	70928625..	E326/1
70917356..	G452	70919310..	G428(1)	70921228..	B217	70922300..	B403	70923332..	M101(2)	70925225..	E326/1	70927338..	G303	70928628..	L102/2
70917365..	F401(4)	70919342..	E302/4	70921230..	E327/1	70922327..	A401(1)	70923470..	G109(2)	70925284..	B401	70927340..	L109	70928630..	L102/2
70917367..	C102(4)	70919380..	L104(1)	70921235..	E328	70922330..	A402(2)	70923510..	A240	70925369..	F401(4)	70927373..	A406/1	70928654..	A243
70917368..	C102(4)	70919326..	C102(3)	70921244..	B201	70922411..	D211/1	70923559..	A402/1	70925425..	E326/1	70927382..	B401	70928655..	B403
70917370..	C102(3)	70919624..	B201	70921266..	E314/3	70922418..	D211/1	70923561..	G428(3)	70925442..	F401/7	70927388..	G303	70928812..	A402/1
70917379..	F629(8)	70919538..	A406/1	70921268..	E302/4	70922419..	E325	70923566..	G428(3)	70925608..	E302/1	70927400..	E302/1	70928851..	D212(2)
70917412..	C102(4)	70919655..	G109(1)	70921279..	E302/5	70922521..	E302/5	70923567..	E331(3)	70925617..	F401(4)	70927401..	L109	70928874..	D217(2)
70917415..	A240	70919707..	G109(1)	70921297..	E302/5	70922522..	E302/5	70923568..	G428(2)	70925619..	F401(1)	70927446..	E302(2)	70928887..	A224/1
70917423..	C102(3)	70919708..	G109(1)	70921298..	D211(1)	70922523..	E302/5	70923580..	G428(3)	70925620..	A224/1	70927453..	L101(1)	70928888..	A201
70917430..	G109(1)	70920304..	L104(4)	70921311..	M101(1)	70922526..	E302(1)	70923583..	C102(1)	70925621..	C102(4)	70927477..	G471(1)	70928914..	L130(1)
70917431..	C102(4)	70920329..	L109	70921349..	A201	70922544..	L130(1)	70923701..	L101(1)	70925622..	D211/1	70927536..	E326/1	70928919..	E108
70917453..	E101/1(9)	70920333..	A401(1)	70921382..	A221(1)	70922571..	D211/1	70923813..	E328	70925632..	E325/2	70927538..	M101(2)	70928946..	D211/1
70917503..	C102(4)	70920397..	F301	70921402..	D211(1)	70922660..	A406/1	70923852..	G428(3)	70925751..	D101(1)	70927541..	B207	70929002..	F401/2
70917570..	E108	70920416..	A102(1)	70921422..	A402(2)	70922704..	L109	70923893..	G428(3)	70925854..	E302/4	70927575..	G428(3)	70929008..	E108
70917644..	A240	70920437..	F505(2)	70921433..	F401(4)	70922717..	F505(2)	70923950..	E328	70925996..	D212(2)	70927603..	L130(1)	70929046..	L109
70917648..	E325/2	70920559..	A001	70921467..	B217	70922714..	A240	70924110..	E302(2)	70926049..	D211(1)	70927612..	L101(1)	70929057..	M101(1)
70917662..	A240	70920574..	L104(1)	70921476..	L101(1)	70922726..	E326/1	70924130..	E310	70926191..	C135(1)	70927659..	D101(1)	70929156..	A001
70917666..	E325	70920582..	L312	70921536..	M101(2)	70922743..	A001	70924158..	D212(2)	70926192..	A240	70927694..	E326/1	70929167..	E101/1(5)
70917713..	C102(3)	70920583..	E325	70921558..	E302(1)	70922744..	B401	70924186..	G428(1)	70926284..	F401(4)	70927699..	D212(2)	70929194..	E3/6/1
70917730..	A243	70920585..	A201	70921565..	L304	70922763..	A201	70924192..	E302(1)	70926308..	E108	70927735..	G428(3)	70929241..	E326/1
70917835..	E310	70920551..	M101(28)	70921566..	A224/1	70922777..	C '3)	70924200..	E302(2)	70926604..	L130(1)	70927783..	E326/1	70929247..	A402/1
70917889..	E326/1	70920590..	A401(1)	70921568..	F629/1(5)	70922789..	B31(3)	70924332..	E325	70926605..	L104(1)	70927995..	E331/1(1)	70929397..	E328
70918245..	E314/2	70920992..	L102(2)	70921569..	A402/1	70922843..	F401/7	70924416..	A402(3)	70926673..	L102/2	70928043..	E314/2	70929398..	E328
70918266..	F401(4)	70920956..	D211/1	70921573..	D211(5)	70922848..	E302(2)	70924462..	F401(4)	70926712..	L130(1)	70928052..	Z101	70929662..	B207
70918308..	L304	70921076..	A243	70921579..	G109(1)	70922849..	E302(3)	70924636..	G109(2)	70926770..	E302/5	70928136..	B401	70929702..	G109(1)
70918448..	L304/1	70921104..	G303	70921589..	G109(1)	70922867..	G109(1)	70924673..	A102(1)	70926779..	C102(1)	70928138..	A243	70929793..	E101/1(8)
70918452..	E302/3	70921115..	E302(1)	70921597..	E314/2	70922887..	E310	70924688..	D211/1	70926821..	E328	70928139..	E302(1)	70929803..	D211/1
70918887..	G452	70921116..	E302(2)	70921702..	E108	70922897..	E310	70924775..	D211(3)	70926867..	B206(3)	70928182..	B207	70929806..	D211/1
70918951..	C102(3)	70921117..	E302(1)	70921883..	E328	70922911..	L109	70924791..	E331(3)	70926870..	D211/1	70928188..	E328	70929871..	E328
70919062..	E302/5	70921172..	L312	70921911..	E102/1	70922912..	E302/5	70924797..	E314/2	70926929..	E302/1	70928190..	B207	70929883..	A221(1)
70919063..	A401(1)	70921174..	B316(3)	70921912..	D211/1	70922925..	A224/1	70924816..	G303	70927157..	B217	70928217..	L102(1)	70929932..	E108
70919066..	D211(1)	70921175..	L109	70921913..	E302(3)	70922932..	E108	70924843..	E302(3)	70927173..	A255(2)	70928228..	E101/1(1)	70930349..	A224/1
70919116..	D101(1)	70921184..	C102(4)	70922026..	L102/2	70922976..	G109(1)	70924850..	L104(1)	70927174..	L304	70928242..	L109	70930350..	E326/1
70919171..	E233(1)	70921186..	C102(3)	70922035..	F303(2)	70922997..	D211/1	70924864..	E302(2)	70927180..	E310	70928380..	M101(1A)	70930351..	E326/1
70919194..	E326/2	70921205..	D211/1	70922121..	F505(2)	70923030..	D211/1	70924958..	F505(2)	70927187..	F301	70928434..	E325/2	70930370..	B207
70919197..	E302/5	70921206..	A201	70922195..	E328	70923157..	D211(1)	70925055..	A406/1	70927201..	C102(4)	70928460..	C102(1)	70930499..	A222(2)
70919198..	E302/4	70921214..	A201	70922200..	E101/1(3)	70923163..	E328	70925056..	A406/1	70927212..	L109	70928492..	G471(2)	70930594..	E101/1(1)
70919205..	E302/5	70921215..	D211/1	70922248..	C102(1)	70923166..	D211(2)	70925058..	A406/1	70927218..	C119	70928603..	E331(4)	70930846..	G109(1)

NUMERICAL INDEX - INDICE DELLE PARTI DE RICAMBIO - INDEX DES PIÉCES DÉTRUITS - ERSATZTEIL-VERZEICHNIS - INDICE DE PIEZAS DE REPUESTO

70930849..	L312	70934707..	A401(1)	73010347..	E310	73044192..	E302(3)	73053921..	G447(1)	73058897..	E326/1	73061447..	L110(2)	73066427..	F505(2)
70930850..	F629/1(5)	70934724..	E108	73011094..	D211(3)	73044163..	A222(2)	73054377..	E331(2)	73058913..	E326/1	73061448..	L110(2)	73066428..	F505(2)
70930871..	B217	70934738..	F401(4)	73011248..	E328	73044288..	E328	73054504..	B207	73058915..	E326/1	73061451..	L110(2)	73066439..	E314(1)
70930912..	E314(1)	70934831..	L102(1)	73012494..	L110	73044669..	C102(1)	73054768..	E331(2)	73058931..	E326/1	73061452..	L103/1	73066532..	0
70930984..	B401	70934839..	F401(4)	73014236..	A221(1)	73044717..	D101(2)	73055116..	B212(2)	73058935..	E316/1	73061678..	E331/1(4)	73066557..	0
70931054..	E101/1(4)	70934844..	A240	73014549..	A221(1)	73044963..	E110	73055402..	E331(4)	73058990..	E325/1	73061793..	D101(1)	73066566..	0
70931193..	A224/1	70934852..	F401(4)	73016458..	D101(1)	73045095..		73055653..	G447(1)	73058999..	E317/1	73061892..	D101(1)	73066567..	0
70931226..	A224/1	70935106..	F505(3)	73016456..	C102(1)	73045248..		73055654..	G447(1)	73059051..	E325/1	73061899..	D101(1)	73066603..	B301
70931478..	A001	70935147..	D211(1)	73017536..	B403	73045324..		73055653..	A221(1)	73058962..	E326/1	73061897..	L304	73066604..	B403
70931646..	E101/1(4)	70935217..	C102(1)	73019133..	E302/1	73045633..	E110	73055999..	E327/4	73058963..	E326/1	73062624..	E314(1)	73066605..	B403
70931698..	E101/1(2)	70935294..	C102(1)	73020678..	D101(2)	73045677..	E302/1	73057004..	E327/4	73059074..	E326/1	73062971..	D212(2)	73066632..	E302(2)
70931702..	E102/1	70935408..	D101(1)	73020893..	E314(1)	73045819..	E302(3)	73057078..	E325/2	73059075..	E326/1	73063066..	D212(2)	73066804..	L104(1)
70931769..	A224/1	70935725..	G109(1)	73021697..	A221(1)	73045861..	E328	73057081..	E325/2	73059078..	E326/1	73063363..	D212(2)	73067021..	F401(4)
70931995..	B411	70935726..	G109(1)	73021696..	A221(1)	73046097..	E331(3)	73057103..	E325/2	73059080..	E327/1	73063453..	L104(4)	73067230..	C102(7)
70931924..	E302(2)	70935735..	L109	73026026..	D101(1)	73046101..	E331(3)	73057188..	E326/2	73059081..	E326/1	73063558..	E327/1	73067263..	L102(2)
70931934..	E314(1)	70935829..	C119	73026368..	A222(2)	73046104..	E331(4)	73057197..	E326/2	73059082..	E326/1	73064139..	E314(1)	73067413	L104(1)
70932503..	E302(2)	70935930..	L104(4)	73029259..	C102(1)	73046111..	E331(3)	73057198..	E326/2	73059083..	E326/1	73064167..	E314(1)	73067573..	C102(1)
70932508..	E101/1(3)	70935931..	L104(4)	73036937..	B403	73046113..	E331(4)	73057201..	E325	73059084..	E326/1	73064170..	E314(1)	73067574..	C102(1)
70932509..	E101/1(3)	70935940..	L104(4)	73038765..	G316(1)	73046855..	A226(2)	73057202..	E325/1	73059021..	E326/1	73064171..	E314(2)	73067575..	C102(1)
70932510..	E101/1(3)	70936090..	A256(2)	73041936..	D101(1)	73047343..	E325/2	73057203..	E325	73059030..	G471(1)	73064517..	C212(2)	73067607..	0
70932912..	G428(2)	70936210..	C102(1)	73042060..	E302/1	73047354..	F301	73057233..	E302(2)	73059034..	G471(1)	73064546..	E314(2)	73067712..	0
70932619..	C102(3)	70936304..	L104(1)	73042086..	E302(2)	73048524..	E302(3)	73057339..	E325/2	73059055..	G471(1)	73064553..	E314(1)	73068320..	M101(1)
70932747..	F505(3)	70936709..	A224/1	73042335..	B403	73048741..	G471(1)	73057432..	E326/1	73059069..	G109(1)	73064727..	B404/1	73068358..	C107(1)
70932844..	E108	70936761..	A224/1	73042608..	B403	73048748..	G471(1)	73057860..	E325	73059072..	L102(2)	73064728..	B404/1	73068389..	L104(1)
70932871..	F301	71006992..	F629(8)	73042703..	D211(1)	73048750..	G471(1)	73057865..	E325	73059079..	E326/1	73064831..	E314(2)	73068884..	E327/1
70933010..	B301	71304923..	H101	73042706..	D211(1)	73048959..	L130(1)	73057872..	E326/2	73059127..	E331(3)	73064906..	E314(1)	73069007..	E108
70933037..	L312	71314919..	D211(4)	73042772..	E316	73050109..	E101/1(1)	73057875..	E326/2	73059182..	E327/1	73065157..	E314(1)	73069010..	E108
70933223..	A601	71314916..	D211(4)	73042773..	E310	73050166..	B403	73057876..	E326/2	73059213..	E327/1	73065704..	E314(1)	73069011..	E108
70933378..	B207	73001171..	E325	73042895..	D101(1)	73050554..	A222(2)	73057897..	G109(1)	73059455..	L104(1)	73065941..	E327/4	73069034..	A240
70933521..	B207	73001319..	E302(2)	73042896..	D101(1)	73051812..	E327/1	73057998..	B303	73059477..	L104(1)	73066018..	E328	73069035..	C102(4)
70933622..	A224/1	73001559..	E310	73043828..	D101(1)	73051813..	E327/1	73058106..	E326/2	73059884..	E101/1(4)	73066011..	E328	73069062..	A201
70933623..	A201	73001563..	E325	73042935..	D101(2)	73052008..	F401(4)	73058308..	E327/1	73059993..	F401/2	73066033..	E328	73069092..	E327/1
70933672..	E302/4	73001621..	D211(1)	73042937..	D101(1)	73052021..	D316(1)	73058439..	L325/2	73059920..	F505(3)	73066034..	E328	73059094..	E327/1
70933760..	B207	73003084..	E302(2)	73042938..	D101(1)	73052024..	L101(1)	73058458..	E327/1	73061046..	F505(2)	73066037..	E328	73065104..	A256(1)
70933891..	C102(4)	73005769..	C102(1)	73042939..	D101(1)	73052340..	E302(2)	73058553..	E325/2	73051126..	G447(1)	73066048..	E328	73065105..	B301
70933894..	E326/1	73005797..	C102(1)	73042941..	D101(1)	73052574..	E327/1	73058639..	G109(1)	73051127..	G447(1)	73066054..	F505(2)	73065104..	A101(1)
70933975..	B207	73006799..	C102(1)	73042994..	D101(1)	73052879..	E310	73058665..	D212(2)	73051207..	F629(8)	73066054..	F505(2)	73065114..	A222(2)
70933990..	E325	73006808..	C102(1)	73043197..	C102(1)	73053289..	A222(2)	73058666..	D212(2)	73051210..	F629(8)	73066424..	F505(2)	73065123..	A240
70934163..	E101/1(4)	73007885..	E325	73043302..	B403	73053604..	E328	73058667..	D212(2)	73051431..	L110(2)	73066425..	F505(2)	73065123..	A201
70934673..	L104(2)	73007115..	C102(1)	73044134..	E302/1	73053637..	E310	73058896..	E326/1	73051437..	L110(2)	73066426..	F505(2)	73065124..	A201

NUMERICAL INDEX - INDICE DELLE PARTI DI RICAMBIO - INDEX DES PIECES DETACHEES - ERSATZTEIL-VERZEICHNIS - INDICE DE PIEZAS DE REPUESTO

73069450..	L130(2)	73072057..	M101(2)	73073710..	A221(1)	73074255..	A222(2)	73074969..	F505(3)	73075853..	L130(2)	73076437..	M101(4)	73076922..	D211(5)
73070091..	G428(1)	73072098..	C102(3)	73073759..	L104(1)	73074266..	L304/1	73074974..	F505(3)	73075858..	M101(2)	73076438..	M101(4)	73076923..	D211(5)
73070101..	A401(1)	73072228..	F505(2)	73073797..	A401(1)	73074267..	L304/1	73075023..	AC01	73075878..	A401(1)	73076439..	M101(4)	73077157..	D211(3)
73070127..	A256(2)	73072249..	E328	73073800..	8	73074268..	L304/1	73075024..	A001	73075881..	M101(2)	73076440..	M101(4)	73077238..	E302(2)
73070132..	A401(1)	73072341..	L130(2)	73073801..	8	73074273..	L304/1	73075035..	B217	73075882..	M101(2)	73076441..	M101(3)	73077327..	Z101
73070136..	A402(3)	73072359..	E325	73073844..	A243	73074274..	L304/1	73075036..	F505(3)	73075883..	M101(2)	73076442..	M101(3)	73077328..	Z101
73070169..	A243	73072360..	E325/1	73073864..	A224/1	73074284..	D211/1	73075037..	F505(3)	73075884..	M101(2)	73076443..	M101(3)	73077382..	E101/1(12)
73070190..	L109	73072361..	E325	73073914..	D211(3)	73074408..	D101(2)	73075038..	F505(3)	73075997..	8	73076444..	M101(3)	73077437..	A222(2)
73070245..	C102(3)	73072363..	E325	73073915..	D211/1	73074445..	B217	73075039..	F505(3)	73076060..	A401(1)	73076445..	M101(3)	73077597..	E101/1(8)
73070248..	C102(3)	73072364..	E325	73073919..	D211/1	73074457..	F505(3)	73075040..	F505(3)	73076069..	C102(1)	73076446..	M101(3)	73077669..	E314/2
73070269..	L104(1)	73072367..	A240	73073936..	D211(1)	73074491..	M101(2)	73075045..	L304	73076111..	E325/2	73076447..	M101(3)	73077671..	E302/3
73070286..	A402(5)	73072377..	L101(1)	73073945..	D211/1	73074492..	M101(2)	73075030..	L104(1)	73076284..	D211(6)	73076448..	M101(3)	73077676..	E302/3
73070287..	A401(1)	73072378..	L101(1)	73073946..	D211/1	73074493..	L104(4)	73075031..	L104(1)	73076342..	A256(1)	73076449..	M101(3)	73077679..	E314/2
73070289..	A401(1)	73072356..	L118(2)	73073947..	D211/1	73074494..	L104(4)	73075032..	L104(1)	73076409..	M101(4)	73076450..	M101(3)	73077682..	E314/2
73070290..	A401(1)	73072374..	L104(3)	73073948..	D211/1	73074526..	L104(2)	73075117..	F505(3)	73076410..	M101(4)	73076452..	M101(4)	73077831..	A256(1)
73070372..	D212(2)	73072375..	L104(3)	73073949..	D211/1	73074527..	L104(2)	73075118..	F505(3)	73076411..	M101(4)	73076453..	M101(4)	73077899..	L109
73070416..	D211(1)	73072376..	L104(3)	73073951..	D211/1	73074547..	L118(2)	73075119..	F505(3)	73076412..	M101(4)	73076454..	M101(4)	73077952..	L102(2)
73070417..	D211(1)	73072700..	A221(1)	73073953..	D211/1	73074553..	L118(2)	73075165..	A243	73076413..	M101(4)	73076455..	M101(4)	73100082..	A243
73070596..	A201	73072735..	E331(3)	73073969..	D211/1	73074556..	L104(3)	73075166..	A243	73076414..	M101(4)	73076456..	M101(4)	73103486..	G452
73070639..	C102(1)	73072737..	E331/1(4)	73073973..	D211(3)	73074557..	L104(3)	73075167..	A243	73076415..	M101(4)	73076457..	M101(4)	73104683..	G452
73070738..	F205	73072755..	L104(1)	73073975..	D211/1	73074558..	L118(2)	73075204..	A001	73076416..	M101(4)	73076458..	M101(3)	73104684..	G452
73070823..	F401(4)	73072897..	B207	73073977..	E328	73074559..	L118(2)	73075205..	A001	73076417..	M101(4)	73076459..	M101(4)	73104685..	G452
73071343..	L101(1)	73072907..	L104(2)	73073986..	D211(3)	73074560..	L118(2)	73075208..	A401(1)	73076418..	M101(4)	73076460..	M101(4)	73107110..	E101/1(2)
73071603..	L101(1)	73072908..	L104(2)	73073988..	D211(1)	73074561..	L118(2)	73075210..	8	73076419..	M101(4)	73076462..	M101(4)	73107112..	E101/1(2)
73071604..	L101(1)	73072909..	L104(2)	73073990..	D211/1	73074563..	L118(2)	73075466..	D211/1	73076420..	M101(4)	73076463..	M101(4)	73107122..	E101/1(1)
73071681..	A402/1	73073090..	L104(1)	73074044..	B217	73074564..	L118(2)	73075582..	L101(1)	73076421..	M101(4)	73076464..	M101(3)	73107131..	E101/1(4)
73071688..	D101(2)	73073119..	8	73074045..	B217	73074565..	L118(2)	73075584..	8	73076422..	M101(4)	73076465..	M101(4)	73107263..	E102/1
73071724..	L102(1)	73073158..	F401(4)	73074052..	8	73074567..	L118(2)	73075585..	A401(1)	73076423..	M101(4)	73076476..	M101(4)	73107269..	E102/1
73071745..	L102(1)	73073188..	E302(2)	73074060..	F505(2)	73074569..	L118(2)	73075592..	E302(2)	73076424..	M101(4)	73076539..	E325/2	73107282..	E102/1
73071740..	B207	73073200..	E302(2)	73074111..	F505(2)	73074582..	A401(1)	73075614..	L312	73076425..	M101(4)	73076581..	E327/1	73107390..	L104(1)
73071881..	E325	73073262..	M101(1)	73074112..	F505(2)	73074684..	E101/1(6)	73075620..	B217	73076426..	M101(4)	73076582..	E326/1	73107623..	E101/1(2)
73071895..	E325	73073273..	D212(2)	73074114..	F505(2)	73074739..	A256(1)	73075621..	B217	73076427..	M101(4)	73076583..	E326/1	73107631..	E101/1(5)
73071913..	D212(2)	73073383..	F505(2)	73074123..	E302(3)	73074796..	A240	73075622..	B217	73076428..	M101(4)	73076584..	E326/1	73107633..	E101/1(5)
73071914..	D212(2)	73073392..	F401(4)	73074154..	C102(4)	73074799..	G471(2)	73075623..	B217	73076429..	M101(4)	73076587..	D211(6)	73107634..	E101/1(5)
73071915..	D212(2)	73073401..	E325/2	73074155..	C102(4)	73074814..	A243	73075666..	L102(2)	73076430..	M101(4)	73076592..	D211(6)	73107635..	E101/1(2)
73071957..	E325/2	73073402..	E325/2	73074177..	C102(4)	73074816..	A243	73075667..	E327/1	73076431..	M101(4)	73076595..	D211(1)	73107640..	E101/1(3)
73071959..	E325/2	73073569..	L312	73074180..	C102(3)	73074935..	D211/1	73075720..	A221(1)	73076433..	M101(4)	73076762..	A406	73107652..	E101/1(3)
73071969..	E325	73073648..	B217	73074181..	G303	73074937..	D211/1	73075752..	L101(1)	73076434..	M101(4)	73076862..	F505(2)	73107665..	E101/1(4)
73071973..	E325/2	73073708..	A221(1)	73074197..	L104(1)	73074948..	8	73075809..	D316(2)	73076435..	M101(4)	73076863..	F505(2)	73107667..	E101/1(4)
73072091..	A240	73073709..	A221(1)	73074220..	L104(1)	73074965..	F505(3)	73075836..	L109	73076436..	M101(4)	73076921..	D211(5)	73107881..	8

NUMERICAL INDEX - INDICE DELLE PARTI DE RICAMBIO - INDEX DES PIECES DETACHEES - ERSATZTEIL-VERZEICHNIS - INDICE DE PIEZAS DE REPUESTO

73107882..	8	73109253..	G428(3)	73134891..	L109	73137130..	E302(1)	73139792..	M101(1)	73140668..	9	73142768..	B201	73142829..	B233(1)
73107884..	8	73109927..	E314(3)	73134897..	L109	73137195..	E302(1)	73139795..	M101(1)	73140669..	B233(1)	73142770..	B201	73142830..	B233(1)
73107890..	8	73110558..	C119	73135026..	L130(1)	73137209..	D211/1	73140054..	B207	73140797..	9	73142771..	B201	73142832..	9
73107891..	8	73110563..	C119	73135059..	D211/3	73137211..	D211/1	73140148..	A222(3)	73140974..	B207	73142773..	B201	73142835..	B204(11)
73108135..	F301	73110564..	C119	73135370..	E332/2	73137212..	D211/1	73140188..	A224/1	73140989..	B207	73142776..	B233(2)	73142834..	B204(11)
73108403..	E101/1(6)	73110565..	C119	73135371..	E332/2	73137216..	E302(1)	73140189..	A224/1	73141204..	B316(3)	73142778..	B233(2)	73142840..	B204(11)
73108409..	E101/1(3)	73110566..	C119	73135372..	E302/3	73137236..	D211/1	73140190..	A224/1	73141205..	C102(1)	73142779..	B233(2)	73142841..	B204(11)
73108440..	M101(2B)	73111046..	C119	73135395..	E302/3	73137289..	D211/1	73140191..	A224/1	73141206..	C102(1)	73142780..	B233(2)	73142845..	B204(11)
73108441..	M101(2B)	73112223..	F505(3)	73135400..	E327/4	73137385..	L312	73140192..	A224/1	73141207..	L312	73142781..	B233(2)	73142853..	B204(9)
73108446..	C119	73112547..	E325	73135414..	A406	73137399..	A402(3)	73140193..	A224/1	73141208..	L312	73142782..	B233(2)	73142856..	B204(9)
73108819..	8	73112663..	3	73135415..	A406	73137492..	E302/1	73140194..	A224/1	73141213..	C119	73142785..	B233(2)	73142875..	B233(1)
73109097..	8	73114681..	E101/1(4)	73135416..	A406	73137493..	E302/1	73140209..	M101(1)	73141214..	C119	73142786..	9	73142877..	B105(2)
73109131..	8	73114683..	E101/1(4)	73135671..	D211(2)	73137567..	E302/1	73140271..	A201	73141215..	C119	73142796..	B233(2)	73142878..	9
73109175..	G428(2)	73114684..	E101/1(3)	73135879..	E302(2)	73137568..	E302/1	73140273..	A409(1)	73141350..	A224/1	73142798..	B233(1)	73142879..	B105(2)
73109214..	G428(1)	73115566..	A243	73135880..	E302(2)	73137571..	E302/1	73140341..	D101(2)	73141700..	L109	73142800..	B233(1)	73142880..	B105(2)
73109218..	G428(3)	73119442..	A243	73135881..	E302(2)	73137585..	C135(1)	73140342..	D101(2)	73141701..	L104(1)	73142801..	B233(1)	73142881..	B105(2)
73109221..	G428(2)	73121929..	F401(7)	73135882..	E302(2)	73137600..	B207	73140400..	B105(2)	73141845..	E101/1(6)	73142802..	B233(1)	73142882..	C135(2)
73109222..	G428(2)	73121930..	F401(7)	73135883..	E302(2)	73137620..	F129(8)	73140404..	9	73142052..	A402/1	73142803..	B233(1)	73142883..	B105(2)
73109223..	G428(2)	73121937..	E101/1(4)	73135941..	E310	73137737..	B207	73140407..	B201	73142053..	A224/1	73142804..	B233(1)	73142884..	B105(2)
73109224..	G428(2)	73122184..	E101/1(4)	73135942..	E310	73137857..	F505(3)	73140410..	B201	73142054..	A402/1	73142805..	B233(1)	73142886..	B105(2)
73109225..	G428(2)	73122302..	A224/1	73136095..	E302(2)	73138439..	A201	73140483..	D211(5)	73142055..	A402/1	73142806..	B233(1)	73142889..	B105(2)
73109226..	G428(2)	73122304..	A224/1	73136120..	A224/1	73138473..	E328	73140540..	B233(2)	73142299..	E302/1	73142807..	B233(1)	73142890..	B105(2)
73109227..	G428(2)	73122431..	A201	73136179..	E310	73138474..	E328	73140543..	9	73142300..	E302/1	73142808..	B233(1)	73142891..	B105(2)
73109228..	G428(2)	73123788..	C119	73136180..	E310	73138564..	L104(3)	73140548..	B201	73142698..	C135(2)	73142809..	B233(1)	73142892..	B105(2)
73109229..	G428(2)	73123848..	F401(7)	73136264..	E302(2)	73138631..	B207	73140601..	B233(2)	73142729..	B105(2)	73142810..	B233(1)	73142893..	B105(2)
73109230..	G428(2)	73124639..	F505(3)	73136297..	B109(2)	73138781..	8	73140604..	B201	73142730..	9	73142811..	B233(1)	73142894..	B105(2)
73109232..	G428(2)	73125891..	E302/3	73136375..	E302(2)	73138824..	L118(2A)	73140629..	B233(1)	73142732..	9	73142812..	B233(1)	73142895..	B105(2)
73109233..	G428(3)	73126114..	A222(2)	73136419..	A001	73138846..	L118(1)	73140635..	B233(1)	73142733..	B105(2)	73142813..	B233(1)	73142896..	B105(2)
73109236..	G428(3)	73129927..	E302/4	73136420..	A001	73138847..	L118(1)	73140636..	B233(1)	73142734..	9	73142814..	B233(1)	73142897..	B105(2)
73109238..	G428(3)	73129969..	F401(7)	73136421..	A001	73139020..	A222(3)	73140637..	B233(1)	73142738..	B105(2)	73142817..	B105(2)	73142898..	B105(2)
73109239..	G428(3)	73129970..	F401(7)	73136422..	A001	73139021..	A256(2)	73140638..	B233(1)	73142739..	B105(2)	73142818..	B233(1)	73142899..	B105(2)
73109240..	G428(3)	73129971..	F401(7)	73136445..	D211/1	73139022..	A222(3)	73140640..	B233(1)	73142743..	B105(2)	73142820..	B233(1)	73142900..	B105(2)
73109241..	G428(3)	73130433..	8	73136456..	C135(1)	73139043..	A222(3)	73140641..	B233(1)	73142749..	B201	73142821..	B233(1)	73142944..	B105(2)
73109242..	G428(3)	73131882..	A224/1	73136470..	A402(3)	73139290..	C102(3)	73140644..	B233(1)	73142751..	B201	73142822..	B233(1)	73142945..	B105(2)
73109243..	G428(3)	73131988..	F501	73136472..	A402(3)	73139344..	D211(3)	73140645..	9	73142752..	B201	73142823..	B233(1)	73142946..	B105(2)
73109244..	G428(3)	73134246..	E101/1(1)	73136474..	B217	73139420..	A224/1	73140649..	B233(1)	73142759..	9	73142824..	B233(1)	73142947..	9
73109245..	G428(3)	73134316..	E101/1(10)	73136475..	B217	73139421..	A224/1	73140650..	B233(1)	73142760..	B200	73142825..	B233(1)	73142948..	B105(2)
73109250..	G428(3)	73134597..	E332(2)	73136476..	E327/1	73139422..	A224/1	73140658..	B233(1)	73142761..	9	73142826..	B233(1)	73142949..	9
73109251..	G428(3)	73134671..	M101(3)	73136863..	F629(8)	73139695..	A222(3)	73140661..	B233(1)	73142762..	B206(3)	73142827..	B233(1)	73142950..	B204(9)
73109252..	G428(3)	73134882..	D211/2	73137110..	E328	73139789..	M101(1)	73140667..	B233(1)	73142767..	B201	73142828..	B233(1)	73142951..	B204(9)

NUMERICAL INDEX - INDICE DELLE PARTI DE RICAMBIO - INDEX DES PIECES DETACHEES - ERSATZTEIL-VERZEICHNIS - INDICE DE PIEZAS DE REPUESTO

73142952..	B204(9)	73143407..	9	73143482..	B204(4)	73144369..	L109	73145876..	G109(2)	73146450..	L104(4)	73148510..	E101/1(9)	73152326..	101/1(1A)
73142954..	B203(1)	73143410..	B201	73143483..	B204(4)	73144371..	L109	73145877..	G109(2)	73146451..	L104(4)	73148511..	E101/1(9)	73152327..	101/1(1A)
73142957..	B204(9)	73143411..	B201	73143484..	B204(4)	73144372..	L104(1)	73145878..	G109(2)	73146452..	L104(4)	73148512..	E101/1(9)	73152328..	101/1(1A)
73142963..	9	73143413..	B201	73143485..	B204(4)	73144373..	L109	73145879..	G109(2)	73147092..	G109(2)	73148513..	101/1(12)	73152329..	101/1(1A)
73142964..	B204(9)	73143414..	B201	73143486..	B204(4)	73144374..	L109	73145880..	G109(2)	73147481..	B404/1	73148514..	E101/1(9)	73152330..	101/1(1A)
73142965..	B204(9)	73143419..	B201	73143487..	9	73144386..	E314/2	73145881..	G109(2)	73147663..	B404/1	73148515..	E101/1(1)	73152331..	101/1(1A)
73142966..	B204(9)	73143420..	B201	73143488..	C135(2)	73144421..	L104(1)	73145882..	G109(2)	73147664..	B404/1	73148516..	E101/1(1)	73152348..	G101(2)
73142970..	B204(9)	73143421..	B200	73143489..	C135(2)	73144497..	101/1(10)	73145903..	Z101	73147665..	B404/1	73148518..	E101/1(2)	73152349..	G101(2)
73142975..	B204(9)	73143422..	B200	73143490..	B105(5)	73144498..	101/1(10)	73145923..	G109(2)	73148074..	E101/1(1)	73148519..	E101/1(2)	73152350..	G101(2)
73142984..	B204(10)	73143423..	B200	73143492..	B105(5)	73144501..	101/1(10)	73145930..	L104(4)	73148075..	E101/1(1)	73148521..	L104(1)	73152351..	G101(2)
73142992..	B204(9)	73143424..	B200	73143493..	B204(10)	73144502..	101/1(10)	73145932..	L104(4)	73148076..	E101/1(1)	73148522..	101/1(12)	73152352..	G101(2)
73142994..	B204(9)	73143426..	B200	73143494..	B105(5)	73144543..	L104(2)	73145943..	L104(4)	73148077..	E101/1(1)	73148523..	101/1(12)	73152353..	G101(2)
73142995..	B204(9)	73143427..	B200	73143495..	9	73144544..	L104(2)	73145944..	L104(4)	73148078..	H101(1)	73148524..	101/1(12)	73152354..	G101(2)
73142996..	9	73143428..	B206(3)	73143498..	B201	73144555..	F301/1	73145960..	L104(4)	73148079..	H101(1)	73148526..	E101/1(2)	73152355..	G101(2)
73142998..	B204(9)	73143430..	B206(3)	73143499..	9	73144565..	L104(1)	73145962..	L104(4)	73148080..	E101/1(8)	73148528..	101/1(12)	73152356..	G101(2)
73142999..	B204(9)	73143434..	B204(11)	73143508..	B233(1)	73144566..	L104(1)	73145982..	L104(4)	73148081..	101/1(11)	73148570..	E101/1(2)	73152357..	G101(2)
73143004..	B204(9)	73143436..	B204(11)	73143690..	B105(6)	73144567..	H101(1)	73145987..	L104(4)	73148082..	101/1(11)	73148695..	E101/1(6)	73152358..	G101(2)
73143008..	B204(9)	73143438..	9	73143691..	B105(6)	73144568..	H101(1)	73145988..	L104(4)	73148083..	101/1(11)	73149099..	L104(3)	73152362..	101/1(2A)
73143009..	B204(9)	73143439..	B204(9)	73143974..	A402(2)	73144755..	A402(2)	73145989..	L104(4)	73148084..	101/1(11)	73149100..	L104(3)	73152364..	101/1(2A)
73143024..	C135(2)	73143440..	B204(9)	73143975..	A402(2)	73144776..	L104(1)	73145990..	L104(4)	73148085..	101/1(11)	73150564..	E101/1(5)	73152375..	101/1(3A)
73143025..	C135(2)	73143442..	B204(9)	73143978..	A402(2)	73144778..	L104(1)	73145991..	L104(4)	73148086..	E101/1(8)	73150659..	E101/1(2)	73152376..	101/1(3A)
73143027..	C135(2)	73143444..	B204(9)	73144201..	L109	73144779..	L104(1)	73145992..	L104(4)	73148087..	E101/1(8)	73151093..	E101/1(1)	73152664..	E314/3
73143028..	C135(2)	73143447..	B204(9)	73144202..	L109	73144799..	F401(4)	73145993..	L104(4)	73148088..	E101/1(5)	73151107..	E102/1	73152753..	G447(2)
73143030..	9	73143448..	B204(9)	73144209..	L104(1)	73144833..	E108	73145994..	L104(4)	73148089..	E101/1(5)	73151108..	E102/1	73152754..	G447(2)
73143031..	C135(2)	73143449..	B204(9)	73144290..	L109	73144834..	E108	73145995..	L104(4)	73148090..	E101/1(5)	73151109..	E101/1(8)	73152967..	A402(3)
73143032..	C135(2)	73143454..	B204(10)	73144293..	L109	73144835..	E108	73145996..	L104(4)	73148092..	E101/1(8)	73151110..	E101/1(5)	73153252..	E314/3
73143033..	C135(2)	73143458..	B204(11)	73144294..	L109	73144915..	A409(1A)	73145997..	L104(4)	73148093..	E101/1(8)	73151112..	E101/1(2)	73153291..	E314/3
73143034..	C135(2)	73143460..	9	73144295..	L109	73144917..	A409(1A)	73145998..	L104(4)	73148095..	E101/1(2)	73151113..	E101/1(2)	73153292..	E314/3
73143035..	C135(2)	73143462..	B204(11)	73144296..	L104(3)	73145159..	C119	73145999..	L104(4)	73148096..	E101/1(9)	73151114..	E101/1(2)	73153295..	E314/3
73143037..	C135(2)	73143463..	B204(11)	73144310..	E314/2	73145374..	H101(1)	73146003..	L104(4)	73148097..	E101/1(9)	73151115..	E101/1(2)	73153296..	E302/4
73143038..	B201	73143464..	B204(11)	73144312..	E314/2	73145602..	H101(1)	73146009..	L104(4)	73148098..	E101/1(9)	73151116..	E101/1(2)	73153297..	E302/4
73143039..	9	73143466..	B204(11)	73144313..	E302/3	73145700..	L104(4)	73146017..	L104(4)	73148099..	E101/1(9)	73151117..	E101/1(2)	73153332..	E302/4
73143040..	B201	73143470..	B204(4)	73144314..	E302/3	73145710..	L104(4)	73146018..	L104(4)	73148217..	E101/1(4)	73151118..	E101/1(2)	73153338..	E332/3
73143041..	B201	73143471..	B204(4)	73144315..	E302/3	73145869..	G109(2)	73146019..	L104(4)	73148220..	E101/1(4)	73151119..	E101/1(2)	73153402..	A224(3)
73143400..	B105(2)	73143472..	B204(4)	73144316..	E302/3	73145870..	G109(2)	73146020..	L104(4)	73148226..	E101/1(4)	73151120..	E101/1(2)	73153785..	G109(1)
73143401..	9	73143474..	B204(4)	73144319..	E314/2	73145871..	G109(2)	73146037..	L104(4)	73148233..	E101/1(5)	73151121..	E101/1(2)	73153838..	G109(1)
73143402..	9	73143476..	B204(4)	73144355..	L104(1)	73145872..	G109(2)	73146038..	L104(4)	73148286..	101/1(12)	73151122..	E101/1(5)	73154698..	L125
73143403..	B105(2)	73143477..	B204(4)	73144362..	L103(1)	73145873..	G109(2)	73146039..	L104(4)	73148307..	E101/1(9)	73151123..	E101/1(3)	73154750..	E302/5
73143404..	B105(2)	73143479..	B204(4)	73144367..	L109	73145874..	G109(2)	73146322..	L104(4)	73148308..	E101/1(9)	73151265..	Z101	73154751..	E302/5
73143405..	B105(2)	73143481..	B204(4)	73144368..	L109	73145875..	G109(2)	73146449..	L104(4)	73148309..	E101/1(3)	73151447..	8	73154752..	E302/5

NUMERICAL INDEX - INDICE DELLE PARTI DI RICAMBIO - INDEX DES PIECES DETACHEES - ERSATZTEIL-VERZEICHNIS - INDICE DE PIEZAS DE REPUESTO

73154754..	E302/5	73299215..	F301	76007096..	D316(2)	76008276..	L104(1A)	76009235..	D316(1)	76010441..	L102(2)	76010919..	L101(1)	76011437..	A256(1)
73154755..	E302/5	73299216..	F301	76007097..	D316(2)	76008277..	F401(4A)	76009315..	L304/1	76010442..	L102(2)	76010920..	L101(1)	76011440..	A256(1)
73154756..	E302/5	73299217..	F301	76007236..	D316(2)	76008284..	L104(1A)	76009316..	L304	76010443..	L102(2)	76010930..	L101(1)	76011456..	E302(3)
73154757..	E302/5	73299222..	L101(1)	76007237..	D316(2)	76008293..	L109(1A)	76009331..	L304/1	76010446..	L102(2)	76011043..	B207	76011457..	E302(3)
73155148..	L125	73299239..	F301/1	76007241..	L102/3	76008296..	L109(13)	76009332..	L304/1	76010447..	L102(2)	76011086..	L130(1)	76011458..	E302(3)
73155149..	L125	74036443..	A402/1	76007242..	L102/3	76008297..	L109(13)	76009342..	L304	76010448..	L102(2)	76011090..	E314(3)	76011473..	E328
73155150..	L125	74036540..	A402/1	76007254..	L130(2)	76008299..	E108(B)	76009343..	L304	76010450..	L102(2)	76011104..	B207	76011489..	8
73155151..	L125	74059984..	A252(4)	76007321..	A201	76008306..	E108(B)	76009347..	B207	76010452..	L102(2)	76011123..	E302(2)	76011491..	8
73155497..	L102/2	74059988..	A252(4)	76007423..	G437(1)	76008307..	E108(B)	76009348..	B207	76010453..	L102(2)	76011128..	E310	76011524..	8
73155498..	L102/2	74059990..	A252(3)	76007426..	G437(1)	76008314..	E108(A)	76009366..	D211(1)	76010454..	L102(2)	76011146..	D101(1)	76011536..	E302(1)
73155540..	D101(2)	74059991..	A252(3)	76007524..	G437(1)	76008315..	E108(B)	76009359..	L102(2)	76010458..	L102(2)	76011149..	F301	76011550..	L104(5)
73155543..	D101(2)	74060726..	A252(4)	76007577..	D101(2)	76008316..	E108(B)	76009391..	L130(1)	76010477..	E310	76011156..	F301	76011552..	L104(7)
73155545..	D101(2)	74060935..	A252(4)	76007590..	L102/3	76008317..	E108(A)	76009392..	C102(4)	76010478..	E310	76011159..	F301	76011553..	L104(7)
73155588..	E302/5	74060936..	A252(4)	76007604..	C135(1)	76008324..	E108(B)	76009412..	D211(3)	76010479..	E310	76011171..	E310	76011554..	L104(7)
73155602..	F401(7A)	74060939..	A252(4)	76007609..	C135(1)	76008407..	A222(2)	76009417..	L102/3	76010515..	L102(2)	76011176..	E310	76011555..	L104(7)
73155621..	E302/5	74060946..	A252(3)	76007630..	C135(1)	76008432..	D211/1	76009491..	B207	76010516..	L102(2)	76011181..	E302(2)	76011556..	L104(7)
73155631..	F401(7A)	74060949..	A252(3)	76007660..	H101	76008494..	D211/1	76009550..	A256(1)	76010523..	L102(2)	76011238..	C135(1)	76011557..	L104(7)
73155632..	F401(7A)	74150290..	F401(6A)	76007665..	H101	76008546..	D211/1	76009820..	A256(1)	76010531..	L102(2)	76011247..	L102(2)	76011573..	L109(2)
73155635..	G109(1)	74254873..	A402/1	76007897..	A402(3)	76008569..	A401(2)	76009898..	D101(2)	76010532..	L102(2)	76011316..	L102(2)	76011586..	E108(3)
73155767..	A406	74393286..	A221(1)	76007914..	L102(2)	76008570..	A401(2)	76009902..	D101(2)	76010635..	F503(3)	76011317..	L102(2)	76011601..	F401(1)
73298444..	A406/1	74394407..	A402/1	76007916..	A201	76008571..	A401(2)	76009913..	L102/3	76010695..	B403	76011318..	L102(2)	76011632..	D211(2)
73298445..	A406/1	74394409..	A402/1	76007938..	L102/3	76008572..	A401(2)	76009970..	D101(2)	76010707..	L101(1)	76011319..	L102(2)	76011633..	D211(2)
73298446..	F401/7	74395419..	A402/1	76008003..	L104(1A)	76008573..	A401(2)	76010015..	F301	76010717..	C102(1)	76011320..	L102(2)	76011640..	F401(1)
73298447..	A406/1	75127082..	101/1(5A)	76008015..	D316(1)	76008574..	A401(2)	76010036..	E328	76010804..	L101(1)	76011338..	L102(2)	76011642..	E314(3)
73298448..	A406/1	75127118..	E102/1A	76008016..	D316(1)	76008575..	A401(2)	76010037..	E328	76010822..	A102(1)	76011343..	B217	76011643..	E314(3)
73298449..	F401/7	75127119..	E102/1A	76008075..	C102(3)	76008576..	A401(2)	76010334..	A222(2)	76010830..	B207	76011356..	L102(1)	76011706..	E302(1)
73298450..	F401/7	75127121..	E102/1A	76008076..	C102(1)	76008686..	E108(B)	76010345..	A401(1)	76010831..	B207	76011357..	L102(1)	76011707..	E302(1)
73298451..	F401/7	75127604..	E102/1A	76008128..	C102(3)	76008719..	L304/1	76010346..	A401(1)	76010832..	B207	76011366..	L102(2)	76011708..	E302(1)
73298452..	A406/1	75315111..	E101/1(2)	76008129..	L102/3	76008729..	L130(1)	76010393..	A103	76010833..	B207	76011369..	L102(2)	76011739..	E314(4)
73298453..	A406/1	76000609..	L102(2)	76008149..	L109(2)	76008771..	E302(1)	76010426..	L102(2)	76010877..	F301	76011395..	E302(3)	76011740..	E314(4)
73298454..	A406/1	76002078..	A222(3)	76008150..	L109(2)	76008792..	E302(1)	76010427..	L102(2)	76010878..	F301	76011397..	E302(3)	76011754..	F401(3)
73298455..	F401/7	76002601..	B316(1)	76008151..	L109(2)	76008809..	B103(2)	76010428..	L102(2)	76010886..	E328	76011398..	E302(3)	76011755..	F203(3)
73298456..	F401/7	76006146..	8	76008152..	L109(2)	76008819..	L109(2)	76010429..	L102(2)	76010890..	E328	76011408..	E302(2)	76011756..	F203(3)
73298457..	F401/7	76006239..	A222(2)	76008157..	L109(2)	76008820..	L109(2)	76010430..	L102(2)	76010892..	L101(1)	76011409..	E302(2)	76011769..	L101(1)
73298458..	F401/7	76006532..	G471(2)	76008158..	L104(3A)	76008828..	L104(7)	76010432..	L102(2)	76010893..	L101(1)	76011410..	E302(2)	76011770..	L101(1)
73298505..	A406/1	76006597..	D316(2)	76008228..	E108(B)	76009003..	C102(1)	76010433..	L102(2)	76010903..	L101(1)	76011411..	E302(2)	76011773..	F203(3)
73299204..	F401(7)	76006599..	D316(2)	76008260..	E325/2	76009020..	C102(4)	76010434..	L102(2)	76010909..	L101(1)	76011412..	E302(2)	76011791..	F401/1
73299212..	F301	76006949..	E310	76008265..	L109(3)	76009161..	A240	76010435..	L102(2)	76010910..	L101(1)	76011414..	E302(2)	76011805..	F629/1(5)
73299213..	F301	76007086..	D316(2)	76008267..	L109(3)	76009200..	A240	76010439..	L102(2)	76010917..	L101(1)	76011415..	E302(2)	76011806..	F629/1(5)
73299214..	F301	76007087..	D316(2)	76008273..	L109(3)	76009234..	D316(1)	76010440..	L102(2)	76010918..	L101(1)	76011432..	E302(3)	76011807..	F629/1(5)

NUMERICAL INDEX - INDICE DELLE PARTI DE RICAMBIO - INDEX DES PIÈCES DÉTACHÉES - ERSATZTEIL-VERZEICHNIS - INDICE DE PIEZAS DE REPUESTO

76011808..F629/1(5)	76012978.. L109(3)	76013426.. L109(2)	79020044.. F505(3A)	79032711.. E329(2)	79039877.. B404	79044658.. F505(2A)	79046616.. A409(1)
76011813.. F401(4A)	76012979.. L109(A)	76013430.. L104(3A)	79020845.. F505(3A)	79032754.. E329(2)	79039878.. B404	79044670.. L104(1A)	79046629.. L102(2)
76011932..F629/1(3)	76012980.. L109(A)	76013431.. L104(3A)	79021522.. F505(3A)	79032755.. E329(2)	79039879.. B404	79044705.. F505(2B)	79047202.. B401
76012048.. A240	76012981.. L109(A)	76013997.. L109(A)	79021911.. E332(1)	79032757.. E329(2)	79039880.. B404	79044706.. F505(2A)	79047204.. B411
76012051.. 8	76012982.. L109(3)	76014023.. E108(3)	79022168.. G101/1	79034082.. L102(2)	79039881.. B404	79044707.. F505(2A)	79047205.. B411
76012052.. 8	76012983.. L109(A)	76014080.. E108(3)	79022440.. G101/1	79034422.. G101/1	79039882.. B404	79044708.. F505(2A)	79047206.. B401
76012054.. 8	76012984.. L109(3)	76014081.. E108(3)	79022468.. F303/1	79034423.. G101/1	79039883.. B404	79044709.. F505(2A)	79047207.. B411
76012057.. A221(2)	76012985.. L104(7)	76014351.. L102(3)	79023160.. E332(2)	79034424.. G101/1	79039884.. B404	79044710.. F505(2B)	79047209.. B401
76012117.. F401/2	76012986.. L104(7)	76014467.. L308	79023161.. E332(2)	79034428.. G101/1	79039885.. B404	79044787.. L104(1A)	79047210.. B401
76012125.. F401(1)	76012987.. L104(8)	76014545.. A201	79023774.. F205/1	79034429.. G101/1	79039900.. B404	79044788.. L104(1A)	79047211.. B404
76012150.. F401(1)	76012988.. L104(8)	76014559.. E310	79024206.. A227(1)	79034430.. G101/1	79039901.. B404	79044796.. A401(1)	79047212.. B404
76012171.. L312	76012989.. L104(7)	76014936.. A401(1)	79025060.. F401(4A)	79034431.. G101/1	79040175.. B411	79044797.. E108(3)	79047214.. B404
76012229.. F401/1	76012990.. L109(2)	76014937.. A401(1)	79025494.. F303/1	79034437.. G101/1	79040176.. B411	79044798.. L104(7)	79047215.. B404
76012267.. 8	76012991.. L109(3)	76014938.. A402(5)	79025700.. A252(3)	79035411.. L102(2)	79040417.. D316(1)	79045095.. L104(8)	79047216.. B404
76012268.. 8	76012992.. L104(7)	76015017.. G471(2)	79025701.. A252(4)	79035419.. F401(3)	79040893.. D316(2)	79045163.. E108(8)	79047217.. B404
76012271.. L102(2)	76012993.. L104(7)	76015371.. D211/1	79025703.. A252(3)	79035553.. G101/1	79040899.. D316(2)	79045166.. E108(8)	79047218.. B404
76012281.. 8	76012994.. L104(8)	76015628.. F401(1)	79025704.. A252(4)	79035733.. G101/1	79040941.. D316(2)	79045175.. E108(A)	79047219.. B404
76012282.. 8	76012995.. L104(8)	76015629.. F401(1)	79025708.. A252(3)	79035975.. M101(1A)	79041164.. 8	79045180.. L308	79047220.. B404
76012363.. A240	76013001.. E108(A)	76015850.. D101(2)	79025713.. A252(3)	79036685.. F205/1	79042067.. L308	79045183.. E108(B)	79047221.. B404
76012364.. A240	76013007.. L109(3)	76015856.. D101(2)	79025714.. A252(4)	79036809.. F205/1	79042076.. F505(2A)	79045184.. E108(B)	79047222.. B404
76012368.. L304	76013008.. L109(2)	76015914.. G135(1)	79025717.. A252(3)	79036974.. F401(3)	79042165.. B411	79045185.. E108(B)	79047223.. B404
76012369.. L304	76013009.. L109(2)	76016031.. L109(A)	79025721.. A252(4)	79037536.. B404	79042272.. L308	79045197.. E108(3)	79047230.. B411
76012437.. L312	76013010.. L109(2)	76016033.. L109(A)	79026387.. L102(3)	79038002.. E102/1A	79042277.. B404	79045216.. L104(3A)	79047231.. B411
76012456.. A201	76013011.. L104(3A)	76016034.. L109(A)	79026392.. F205/1	79038466.. A227(1)	79042289.. B411	79045217.. L104(3A)	79047232.. B411
76012473.. D211(3)	76013012.. L104(3A)	76016036.. L109(A)	79026411.. F205/1	79038472.. A227(1)	79042494.. E314(4)	79045218.. L104(3A)	79047233.. B411
76012488.. D211(3)	76013013.. L104(3A)	76016038.. L109(A)	79028977.. H101	79038749.. L102(3)	79042976.. L101(1)	79045226.. E108(B)	79047234.. B411
76012507.. H101	76013022.. L109(A)	76016039.. L109(A)	79028978.. H101	79039859.. B404	79042977.. L101(1)	79045228.. E108(B)	79047235.. B411
76012513.. 8	76013023.. L109(3)	76016040.. L109(A)	79028979.. H101	79039864.. B404	79042979.. L101(1)	79045384.. F505(2A)	79047236.. B411
76012641.. E302(1)	76013047.. L125	76016126.. E310	79028980.. H101	79039865.. B404	79043032.. L101(1)	79045385.. F505(2A)	79047237.. B411
76012647.. L103/1	76013056..F629/1(5)	76016128.. E310	79028981.. H101	79039866.. B404	79043111.. E314(3)	79045822.. F401(7)	79047238.. B411
76012759.. E314(4)	76013063.. E327/2	76017297.. E325/2	79029445.. A252(4)	79039867.. B404	79043163.. G101/1	79046131.. F505(2A)	79047239.. B411
76012763.. E314(4)	76013106.. A409(1)	76017318.. E325/2	79029446.. A252(3)	79039868.. B404	79043164.. G101/1	79046132.. F505(2A)	79047240.. B411
76012832.. E314(3)	76013204.. A201	76018082.. E310	79029447.. A252(4)	79039869.. B404	79043879.. E328	79046314.. F505(3A)	79047241.. B411
76012837.. E314(3)	76013206.. A201	76018343.. A402(3)	79029448.. A252(3)	79039870.. B404	79044647.. F505(2B)	79046316.. F505(3A)	79047242.. B411
76012843.. E314(3)	76013210.. A201	79007664.. L130(3)	79029449.. A252(4)	79039871.. B404	79044648.. F505(2B)	79046317.. F505(3A)	79047243.. B411
76012934.. L109(3)	76013287.. L102(3)	79011407.. A401(1)	79029451.. A252(3)	79039872.. B404	79044651.. F505(2A)	79046318.. F505(3A)	79047244.. B411
76012972.. E327/1	76013374.. E108(3)	79012095.. F501	79030150.. H101	79039873.. B404	79044652.. F505(2A)	79046319.. F505(3A)	79047245.. B411
76012974.. L104(1A)	76013419.. L104(8)	79013422.. F401/1	79031103.. L102(3)	79039874.. B404	79044653.. F505(2A)	79046327.. F505(2A)	79047246.. B411
76012976.. L109(3)	76013420.. L104(7)	79017173.. F501	79031824.. L104(7)	79039875.. B404	79044654.. F505(2A)	79046367.. F505(3A)	79047250.. B404
76012977.. L109(3)	76013425.. L109(2)	79018675.. L104(7)	79032012.. E328	79039876.. B404	79044656.. F505(2A)	79046604.. L104(3A)	79047251.. B401

NUMERICAL INDEX - INDICE DELLE PARTI DI RICAMBIO - INDEX DES PIECES DETACHEES - ERSATZTEIL-VERZEICHNIS - INDICE DE PIEZAS DE REPUESTO

79047252..	B404	79051036..	L104(3A)	79056573..	G437(1)	79057176..	L109(2)	79064029..	B204(9)	79066482..	E331(2)	79067856..	A235	79072574..	D211/3
79047255..	B404	79051039..	L104(3A)	79056574..	G437(1)	79057297..	L102(2)	79064030..	B204(9)	79066483..	E331(1)	79067876..	F401(4A)	79072575..	D211/3
79047325..	L104(1A)	79051040..	L104(3A)	79056575..	G437(1)	79057405..	L102(2)	79064031..	B204(9)	79066484..	E331(2)	79068710..	H101(2A)	79072576..	D211/3
79047326..	L104(1A)	79051055..	L104(3A)	79056576..	G437(1)	79057458..	F629(4)	79064032..	B204(9)	79066600..	E331(2)	79068711..	H101(2B)	79072577..	D211/3
79047327..	L104(1A)	79051198..	F401(3)	79056577..	G437(1)	79057604..	L102(2)	79064033..	B204(9)	79066605..	E331(2)	79068712..	H101(2A)	79072578..	D211/3
79047328..	L104(1A)	79051200..	L102(2)	79056578..	G437(1)	79058960..	L312	79064034..	B204(9)	79066608..	E331(2)	79068713..	H101(2B)	79072746..	E102/1A
79047329..	L104(1A)	79051478..	L308	79056579..	G437(1)	79059369..	B204(9)	79064035..	B204(9)	79066609..	E331(2)	79068714..	H101(2B)	79072762..	E102/1A
79047332..	A401(1)	79051695..	F401/2	79056580..	G437(1)	79059960..	L101(1)	79064036..	B204(9)	79066613..	E331(3)	79068715..	H101(2B)	79072917..	B204(9)
79047333..	F505(3A)	79051697..	F401/2	79056581..	G437(1)	79060000..	L102(2)	79064037..	B204(9)	79066614..	E331(3)	79069292..	L109(A)	79072919..	B204(9)
79047334..	F505(3A)	79052026..	L102(3)	79056582..	G437(1)	79060001..	B207	79064038..	B204(9)	79066651..	E331(3)	79069330..	E328	79072929..	B200
79047345..	F505(3A)	79052284..	E332(2)	79056583..	G437(1)	79060212..	E329(2)	79064039..	B204(9)	79066652..	E331(3)	79069331..	E328	79072936..	B204(10)
79047413..	B404	79052287..	E332(2)	79056584..	G437(1)	79060213..	E329(2)	79064071..	B204(9)	79066655..	E331(1)	79069425..	B207	79072937..	B204(4)
79047414..	B404	79052363..	F205/1	79056585..	G437(1)	79060215..	E329(2)	79064074..	B204(9)	79066656..	E331(1)	79069460..	F629(2)	79072938..	B204(4)
79047415..	B404	79052606..	F505(2A)	79056586..	G437(1)	79060246..	E339(2)	79064077..	B204(11)	79066657..	E331(1)	79069588..	F629/1(3)	79072939..	B204(4)
79047416..	B404	79052629..	B411	79056587..	G437(1)	79060247..	E329(2)	79064409..	B200	79066658..	E331(1)	79069589..	F629/1(3)	79073032..	F301
79047417..	B404	79053184..	C102(4)	79056588..	G437(1)	79060249..	E329(2)	79064410..	B105(2)	79066659..	E331(2)	79069594..	E314(3)	79073033..	F301
79047473..	B404	79053331..	B404	79056589..	G437(1)	79060274..	L102(2)	79064411..	B105(2)	79066660..	E331(3)	79069595..	E314(3)	79073382..	L109(3)
79047474..	B404	79053332..	B404	79056590..	G437(1)	79060377..	L102(2)	79064420..	H101(1A)	79066661..	E331(3)	79069596..	E314(3)	79073385..	L109(3)
79047639..	B404	79053333..	B404	79056592..	G437(1)	79060310..	E329(2)	79065342..	E331(2)	79066662..	E331(3)	79069597..	E314(4)	79073386..	L109(3)
79047640..	B404	79053334..	B404	79056593..	G437(1)	79060318..	C135(1)	79065560..	E332(1)	79066664..	E331(2)	79069598..	E314(4)	79073388..	F629(2)
79047785..	A227(1)	79053335..	B404	79056594..	G437(1)	79060328..	L102(2)	79065561..	E332(1)	79066665..	E331(2)	79069599..	E314(4)	79073820..	F629(1)
79047816..	A227(2)	79053336..	B404	79056595..	G437(1)	79060353..	B201	79065562..	E332(1)	79066666..	E331(2)	79069600..	E314(4)	79073822..	F629(1)
79048375..	E314(4)	79053320..	L102(2)	79056596..	G437(1)	79060310..	B105(2)	79065566..	E332(2)	79066667..	E331(1)	79069718..	A235/3	79073823..	F629(1)
79048376..	E314(4)	79053322..	L102(2)	79056597..	G437(1)	79060521..	B204(9)	79065567..	E332(2)	79066668..	E331(4)	79069734..	A224(4)	79073824..	F629(1)
79048576..	A409(1)	79053323..	L102(2)	79056598..	G437(1)	79060522..	B204(9)	79065568..	E332(2)	79066670..	E331(4)	79069735..	A235/3	79073825..	F629(1)
79049524..	E314(3)	79053326..	L102(2)	79056599..	G437(1)	79060531..	B204(9)	79065594..	D211(3)	79066671..	E331(4)	79069901..	F401(3)	79074702..	F303/1
79050075..	E314(3)	79053327..	L102(2)	79056600..	G437(1)	79060532..	B204(10)	79066000..	D211(3)	79066879..	B233(2)	79070019..	F629/1(5)	79074703..	A119
79050736..	L104(3A)	79053329..	L102(2)	79056601..	G437(1)	79060533..	B204(11)	79066121..	B207	79066880..	B233(2)	79070021..	F629/1(5)	79074704..	F303/1
79050763..	E108(A)	79053330..	L102(2)	79056603..	E332(1)	79060534..	B204(11)	79066168..	L102(2)	79066881..	B204(9)	79070320..	F401/1	79074705..	F303/1
79050764..	E108(3)	79054919..	E314(3)	79056638..	E332(1)	79060694..	D211(4)	79066170..	L102(2)	79066882..	B204(9)	79070322..	F401(1)	79074706..	F303/1
79050876..	L109(2)	79054920..	E314(3)	79056639..	E332(1)	79061089..	B105(2)	79066185..	B207	79066912..	E314(3)	79070375..	E314(3)	79074707..	F303/1
79050879..	L109(2)	79055615..	B316(4)	79056640..	E332(1)	79061517..	B201	79066229..	H101(2B)	79066922..	E314(3)	79070672..	H101(1A)	79074708..	F303/1
79050380..	L109(2)	79055617..	B316(1)	79056644..	E332(1)	79061521..	B201	79066233..	H101(2B)	79067107..	E331/1(4)	79070840..	L102(3)	79074709..	F303/1
79050681..	L109(2)	79055618..	B316(1)	79056689..	L102(2)	79062461..	F205/1	79066286..	D211(3)	79067265..	L102(2)	79070960..	E331(3)	79074710..	F303/1
79051013..	F629(1)	79055619..	B316(2)	79056894..	L102(2)	79062734..	H101	79066420..	F505(2B)	79067266..	F401(3)	79070961..	E331(3)	79074711..	F303/1
79051016..	F629(4)	79055686..	E329(2)	79056896..	L102(2)	79062895..	D211(4)	79066422..	F505(2B)	79057290..	E314(4)	79071319..	E332(1)	79074712..	F303/1
79051018..	F629/1(3)	79055992..	F401/2	79056898..	L102(2)	79062896..	D211(4)	79066424..	F505(2B)	79067303..	E314(3)	79071464..	E332(2)	79074713..	F303/1
79051019..	F629/1(5)	79056367..	A227(1)	79057104..	E329(2)	79062982..	L102(2)	79066426..	F505(2B)	79067743..	E332(2)	79071542..	8	79074714..	F303/1
79051020..	F629(1)	79056474..	E332(2)	79057105..	A401(2)	79064027..	B204(9)	79066478..	A222(2)	79067802..	E332(1)	79071570..	8	79074715..	F303/1
79051035..	L104(3A)	79056481..	E332(2)	79057175..	L109(2)	79064028..	B204(9)	79066481..	E331(1)	79067803..	E332(1)	79072544..	F401(3)	79075883..	F303/1

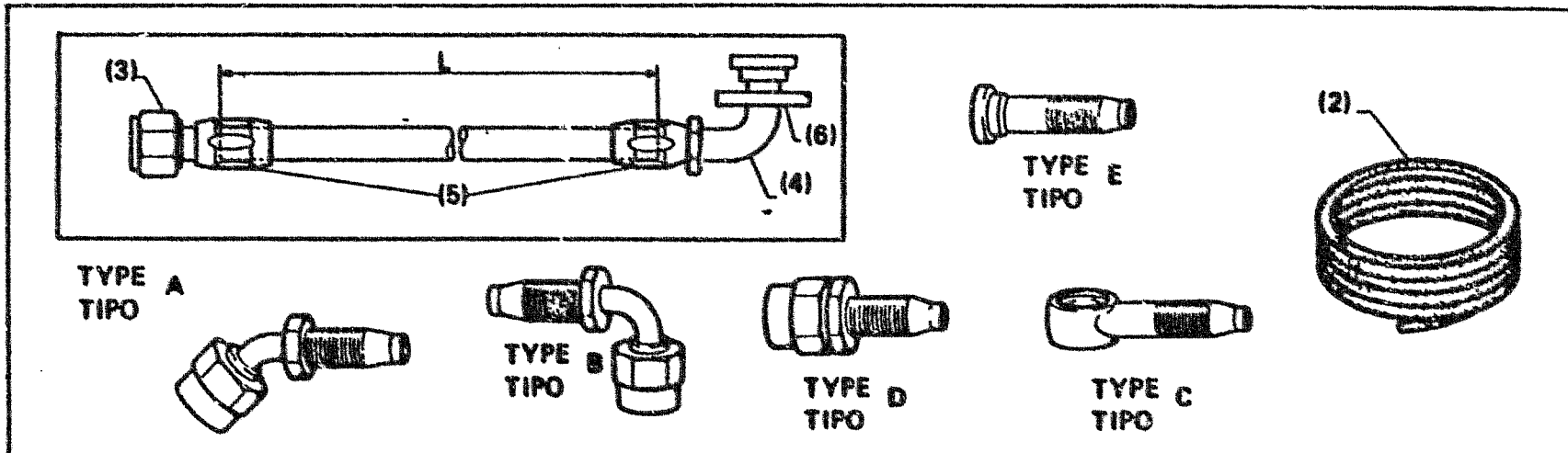
NUMERICAL INDEX - INDICE DELLE PARTI DE RICAMBIO - INDEX DES PIECES DETACHEES - ERSATZTEIL-VERZEICHNIS - INDICE DE PIEZAS DE REPUESTO

79076389..	E102/1A	79084752..	A401(1)	79087010..	101/1(1A)
79076867..	L109(A)	79084753..	A201	79087011..	101/1(1A)
79077086..	B404(B)	79084831..	M101(2A)	79087043..	0211/3
79077089..	B404(B)	79084832..	M101(2A)	79087109..	101/1(2A)
79077090..	B404(B)	79084833..	M101(2A)	79088347..	A402(3)
79077091..	B404(B)	79085634..	L308	79089647..	E102/1A
79077092..	B404(B)	79086351..	E102/1A	79089648..	E102/1A
79079424..	E102/1A	79086560..	F629(1A)	79089649..	E102/1A
79079534..	E102/1A	79086562..	F629(1A)	79091023..	B404(B)
79079543..	E102/1A	79086881..	B204(9)	79091024..	B404(B)
79079544..	E102/1A	79086882..	B204(10)	79091025..	B404(B)
79079545..	E102/1A	79086883..	B204(11)	79091287..	L109(A)
79079546..	E102/1A	79086944..	101/1(1A)	79092746..	101/1(5A)
79079632..	L109(A)	79086949..	101/1(4A)	79092747..	E102/1A
79079634..	L109(A)	79086950..	101/1(4A)	79092750..	101/1(5A)
79079635..	L109(A)	79086951..	101/1(4A)	79092751..	101/1(5A)
79079745..	L102(2)	79086952..	101/1(4A)	79092762..	101/1(5A)
79080110..	F629(1A)	79086953..	101/1(4A)	79092763..	E102/1A
79080111..	F629(2A)	79086956..	101/1(5A)	79092882..	E328
79080373..	F205/2	79086957..	101/1(2A)	79093822..	0233(1)
79080375..	F205/2	79086958..	101/1(5A)	79093823..	0233(1)
79080376..	F205/2	79086959..	101/1(5A)		
79080869..	M101(2A)	79086960..	101/1(5A)		
79081044..	F205/2	79086961..	101/1(5A)		
79081045..	F205/2	79086962..	101/1(5A)		
79081046..	F205/2	79086963..	101/1(5A)		
79081047..	F205/2	79086964..	101/1(5A)		
79082527..	F629(2A)	79086965..	E102/1A		
79082689..	B401	79086966..	101/1(5A)		
79083204..	B404(A)	79086967..	101/1(5A)		
79083788..	E332(1)	79086968..	101/1(5A)		
79083792..	E332(2)	79086969..	101/1(5A)		
79083842..	A201	79086970..	101/1(5A)		
79083843..	A402(5)	79086971..	101/1(5A)		
79083845..	A222(2)	79086972..	101/1(5A)		
79083849..	A201	79086973..	101/1(5A)		
79083852..	A222(2)	79086974..	101/1(5A)		
79083853..	A222(2)	79086975..	101/1(5A)		
79083997..	E102/1A	79086977..	101/1(5A)		
79084619..	M101(1A)	79087009..	101/1(1A)		

LATE ADDITIONS 11/90

00568581 C102(1)	73159935 8	79011791 B105(2)	79078929 B200	79092092 E331(3A)
02960500 B105(2)	75285189 C119	79014963 D101(2)	79078930 B200	79092093 E331(3A)
04305449 A243	76007522 D101(2)	79017118 F401(3)	79079424 E101/1(5A)	79092094 E331(3A)
04754863 A409(1)	76008382 B301	79020511 F401(3)	79081329 A222/1	79092095 E331(3A)
04754865 A409(1)	76008466 F401(3)	79035976 M101(1A)	79081330 A222/1	79092096 E331(3A)
04764898 A409(1)	76009175 F401(3)	79045384 F505(2C)	79081900 F401(3)	79092097 E331(3A)
04780108 A107	76009349 L102(2)	79047203 B404	79081900 F401(3)	79092761 E102/1A
04812347 A107	76009737 L101(1)	79047213 B404	79083202 B401	79092829 E332(2)
04813001 A254	76009951 C102(4)	79051468 L104(7)	79083539 B233(2)	79092830 E332(2)
04824221 A107	76010517 C102(3)	79051478 L104(7)	79083811 B206(3)	79092835 E332(1A)
04847204 A103	76010904 L101(1)	79053317 F401(3)	79083845 E328	79092836 E332(1A)
04854715 A402(3)	76011096 F401(3)	79054284 D211(1A)	79083847 E302(1)	79093685 E101/1(5A)
04971119 F401(3)	76011103 F401(3)	79056756 A102(1)	79083852 A222(2)	79093692 D212(2A)
04982514 D211(1A)	76011196 M101(1A)	79058960 L101(1)	79084917 A222(2)	79094436 B105(2)
10397880 A240	76011332 A243	79059999 C102(3)	79085085 A222/1	79094438 B201
11212613 B200	76011343 A402(3)	79060531 B204(9)	79085634 L104(7)	79094450 B233(2)
14483051 A102(1)	76011396 E302(3)	79060961 E331(3)	79085656 A222/1	79094462 B204(11)
24979970 B204(9)	76011413 E302(2)	79065551 D212(2A)	79085657 A222/1	79094550 D212(2A)
70732304 B403	76011753 F401(3)	79065552 D212(2A)	79086120 D212(2A)	79096076 8
73044159 C102(1)	76012009 A256(1)	79065553 D212(2A)	79086478 E331(1A)	79096145 B201
73059065 C102(3)	76012333 L125	79066483 E331(7)	79086479 E331/1(1A)	79096146 B204(9)
73066603 B403	76012486 B207	79066601 E331(7)	79086482 E101/1(2A)	79096146 B204(10)
73066607 B403	76013047 8	79066602 E331(7)	79086950 E101/1(4A)	79097785 B105(5)
73069947 D101(2)	76013441 E327	79066603 E331(7)	79086976 E101/1(5A)	79101792 B201
73069948 D101(2)	76013442 E327	79066604 E331(7)	79090673 B105(2)	79101792 B206(3)
73070127 A256(1)	76013462 E327	79066609 E331(2A)	79091014 E327	79101852 B204(11)
73070758 F301	76014613 E302(2)	79066610 E331(3)	79091943 E101/1(1A)	79102775 F505(2C)
73071935 A402(3)	76015373 E328	79066611 E331(2A)	79091944 E101/1(1A)	79102777 F505(2C)
73113425 E302/5	76015588 L104(7)	79066613 E331(2A)	79091945 E101/1(1A)	79102792 F505(2C)
73134638 D212(2A)	76015589 L104(7)	79066614 E331(2A)	79091946 E101/1(1A)	79102835 F505(2C)
73134645 D212(2A)	76015689 L102(1)	79066615 E331(4)	79091947 E101/1(1A)	79103199 F505(2C)
73134649 D212(2A)	76015689 L102(1)	79066615 E331(4)	79091947 E101/1(1A)	79105987 F505(2C)
73136155 D212(2A)	76015896 E327	79066652 E331(3)	79091948 E101/1(1A)	79106610 B105(2)
73136155 D212(2A)	76015896 E327	79066655 E331(7)	79091949 G101(2A)	79106612 B105(2)
73136419 A001	76016850 E327	79066657 E331(7)	79091950 G101(2A)	79106787 B105(2)
73136453 C135(1)	76016853 E327	79066658 E331(7)	79091951 G101(2A)	
73136582 D211(1A)	76016880 E327	79066660 E331(2A)	79091952 G101(2A)	
73137210 E302(1)	76017099 L102(3)	79066662 E331(2A)	79091953 G101(2A)	
73137309 D211(1A)	76017280 E325	79066668 E331(4)	79091954 G101(2A)	
73140605 B201	76017318 E325	79066881 B204(9)	79091955 G101(2A)	
73140606 B201	76017489 E302(2)	79069330 E331(1)	79091956 G101(2A)	
73142760 B200	76017699 A10	79069331 E331/1(1)	79091960 G101(2A)	
73143004 B204(9)	76017885 G101(1A)	79070960 E331(3)	79091964 G101(2A)	
73157976 E302/5	76017887 G101(1A)	79072544 F401(3)	79091965 G101(2A)	
73157977 E302/5	76017889 G101(1A)	79072917 B204(9)	79091983 E101/1(3A)	
73157978 E302/5	76018086 B403	79072944 B201	79091984 E101/1(3A)	
73158856 C119	76018094 B403	79076208 L104(7)	79092085 E331(3A)	
73159033 E302/5	76019749 A222(2)	79078927 B200	79092088 E331(3A)	
73159102 E302/5	76019848 A409(1)	79078928 B200	79092089 E331(3A)	
	79011406 F401(3)			

FIATALLIS FR12B
 HOSE - TUBO FLESSIBILE - TUYAU FLEXIBLE - MANGA FLEXIBLE - SCHLAUCH



NOTE : In the right hand column (1) the crimped-type hose assembly (fittings not reusable) is identified. Assembly number shown in the left hand column (1) indicates available replacement hose assembly (no crimped-type) with reusable components, the other columns indicate the components numbers for hose constructions in the field.

NOTA : La colonna (1) all'estrema destra identifica il tubo completo del tipo graffiato dotato di raccordi non riutilizzabili. La colonna (1) all'estrema sinistra indica il tubo completo non graffiato, dotato di raccordi riutilizzabili; le altre colonne riportano i numeri dei componenti per consentire la costruzione del tubo sul campo.

NOTE : La colonne (1) à l'extrême droite, indique le flexible complet graffé, muni de raccords non réutilisables. La colonne (1) à l'extrême gauche indique le flexible complet non graffé, muni de raccords réutilisables, les autres colonnes fournissent les numéros des composants permettant de construire le flexible sur place.

NOTA : La primera columna (1) a la derecha designa la manguera completa del tipo de eslace y dotada de racores non recuperables. La primera (1) a la izquierda señala la manguera completa dotada de racores recuperables, las restantes columnas señalan los números de los componentes para facilitar la construcción del tubo en obras.

HINWEIS : In Spalte (1), ganz rechts ist der komplette Schlauch der gefalteten Bauart mit nicht wieder anwendbaren Anschlüssen angegeben. In Spalte (1), ganz links ist der komplette, faltelose Schlauch mit wieder anwendbaren Anschlüssen angegeben. Die weiteren Spalten enthalten die Nummern der Bestandteile zum Zusammenbau des Schlauchs auf dem Feld.

(1)	(2)	L	(3)	TYPE (3)	(4)	TYPE (4)	(5)	(6)	(1)

PAINTING AND MARKING

ITEM PART NO. QTY. CODE DESCRIPTION

-	73152445	1	129S	KIT
			600L	INCLUDES ITEM(S) 1-4,6,8,12, 15-17,19-29,33-46
1	73107884	1	8D	DECAL, FLUID UNDER PRESSURE
2	73109131	1	8D	DECAL, INSTRUCTION MANUAL
3	73107891	1	8D	DECAL, MASTER SWITCH
4	76011524	1	105P	PLATE, LUBE & SERVICE
5	70738569	1	105P	PLATE, HYDRAULIC CONTROL PLATE
6	73067607	1	8D	DECAL, OIL LEVEL
7	76006146	1	8D	DECAL, LIFTING INSTRUCTION
8	70739788	1	8D	DECAL, FUSE BOX
9	70738571	1	105P	PLATE, HYDRAULIC CONTROL
10	70738570	1	105P	PLATE, HYDRAULIC CONTROL
11	-----	1	8D	DECAL, ROPS
12	79096076	1	8D	DECAL, MASTER SWITCH ON-OFF
13	76011491	1	105P	PLATE, INSTRUMENT PANEL, RIGHT
14	76011489	1	105P	PLATE, INSTRUMENT PANEL, LEFT
15	73107890	1	8D	DECAL, SCISSORS POINT
16	73107882	1	8D	DECAL, FLAMMABLE VAPORS
17	73107881	2	8D	DECAL, BLADES & BELTS
18	70732623	4	8D	DECAL, SLING INSTRUCT (USE ON EXPORT ONLY)
19	73075210	1	8D	DECAL, HYDRAULIC SYSTEM SERVICE
20	73066552	2	8D	DECAL, STAY OFF LADDER
21	73112663	1	8D	DECAL, AIR CLEANER SERVICE
22	73108815	1	8D	DECAL, AIR RESERVOIR
23	73066557	2	8D	DECAL, ARTICULATION
24	73108819	2	8D	DECAL, INFLATION WARNING

ITEM PART NO. QTY. CODE DESCRIPTION

25	73075997	2	8D	DECAL, INFLATION WARNING
26	73073801	1	8D	DECAL, OPERATION
27	73073800	1	8D	DECAL, STARTUP-SHUT DOWN
28	73138781	1	8D	DECAL, BRAKE PEDAL
29	73067712	1	8D	DECAL, PATENT LABEL
30	73109097	1	501W	TAG, COOLING SYSTEM
31	73066566	1	501W	TAG, ARTICULATION LOCK
32	73066567	1	501W	TAG, DO NOT REMOVE BUCKET
33	73073119	1	502D	STEP TREAD
34	73075584	1	502D	STEP TREAD
35	45015482	4	502D	STEP TREAD
36	73074948	1	8D	DECAL, WINDOW WASHER
37	79071570	1	8D	DECAL, "FA"
38	76012051	1	8D	DECAL, "FA"
39	76012052	1	8D	DECAL, "FA"
40	76012267	1	8D	DECAL, LEFT, STRIPE
41	76012268	1	8D	DECAL, RIGHT, STRIPE
42	79071542	2	8D	DECAL, "FA"
43	79041164	1	8D	DECAL, "FI" "ALLIS"
44	76012333	2	8D	DECAL, "FR" "TURBO"
45	76012281	1	8D	DECAL, LEFT, STRIPE
46	76012282	1	8D	DECAL, RIGHT, STRIPE
47	73107895	1	8D	DECAL, DO NOT START
48	79073799	1	8D	DECAL, HEATER FAN
49	73153501	2	8D	DECAL, TOOL CARRIER
50	73127290	1	8D	DECAL, POWER LINES
51	73159935	2	8D	DECAL, LIFT CAPACITIES

FIATALLIS

KIT INDEX - INDICE DEI KITS - LISTE DES KITS - VERZEICHNIS DER ERSATZTEILSETZE - INDICE DE FORNITURAS

PART NUMBER	ITEM	KIT COMP. PART. N.	QTY	SGR.	TAV.	PAG.	TRANS CODE	DESCRIPTION	DENOMINAZIONE
1901385	3	4707775	2	A1.03	1	1	90S	HALF RING	SEMIANELLO
	4	4707779	2	A1.03	1	1	90S	HALF RING	SEMIANELLO
1901386	3	4707776	2	A1.03	1	1	90S	HALF RING	SEMIANELLO
	4	4707780	2	A1.03	1	1	90S	HALF RING	SEMIANELLO
1901387	3	4708063	2	A1.03	1	1	90S	HALF RING	SEMIANELLO
	4	4708069	2	A1.03	1	1	90S	HALF RING	SEMIANELLO
1901388	3	4708064	2	A1.03	1	1	90S	HALF RING	SEMIANELLO
	4	4708070	2	A1.03	1	1	90S	HALF RING	SEMIANELLO
1930176	2	4754062	7	A1.03	1	1	103S	HALF BEARING	SEMICUSCINETTO
	9	4754064	7	A1.03	1	1	103S	HALF BEARING	SEMICUSCINETTO
1930177	2	4771248	7	A1.03	1	1	103S	HALF BEARING	SEMICUSCINETTO
	9	4771250	7	A1.03	1	1	103S	HALF BEARING	SEMICUSCINETTO
1930178	2	4771249	7	A1.03	1	1	103S	HALF BEARING	SEMICUSCINETTO
	9	4771259	7	A1.03	1	1	103S	HALF BEARING	SEMICUSCINETTO
1930179	2	4771250	7	A1.03	1	1	103S	HALF BEARING	SEMICUSCINETTO

FIATALLIS

PART NUMBER	ITEM	KIT COMP. PART. N.	QTY	SGR.	TAV.	PAG.	TRANS CODE	DESCRIPTION	DENOMINAZIONE
1930179	9	4771260	7	A1.03	1	1	103S	HALF BEARING	SEMICUSCINETTO
1930180	2	4771251	7	A1.03	1	1	103S	HALF BEARING	SEMICUSCINETTO
	9	4771261	7	A1.03	1	1	103S	HALF BEARING	SEMICUSCINETTO
1930201	9	4780965	12	A1.05	1	1	103S	HALF BEARING	SEMICUSCINETTO
1930202	9	4780967	12	A1.05	1	1	103S	HALF BEARING	SEMICUSCINETTO
1930203	9	4780968	12	A1.05	1	1	103S	HALF BEARING	SEMICUSCINETTO
1930204	9	4780969	12	A1.05	1	1	103S	HALF BEARING	SEMICUSCINETTO
1930205	9	4780970	12	A1.05	1	1	103S	HALF BEARING	SEMICUSCINETTO
1930206	4	4754400	6	A1.05	1	1	45A	RING	ANELLO
	3	4754401	6	A1.05	1	1	45A	RING	ANELLO
	2	4758713	6	A1.05	1	1	45A	RING	ANELLO
	5	4770451	6	A1.05	1	1	80P	PIN	PERNO
	6	4770452	12	A1.05	1	1	187A	SNAP RING	ANELLO ELASTICO
	1	4770996	6	A1.05	1	1	235S	PISTON	STANTUFFO
1930207	5	4770451	6	A1.05	1	1	80P	PIN	PERNO

FIATALLIS

PART NUMBER	ITEM	KIT COMP. PART. N.	QTY	SGR.	TAV.	PAG.	TRANS CODE	DESCRIPTION	DENOMINAZIONE
1930207									
	6	4770452	12	A1.05	1	1	187A	SNAP RING	ANELLO ELASTICO
	3	4770632	6	A1.05	1	1	45A	RING	ANELLO
	2	4771788	6	A1.05	1	1	45A	RING	ANELLO
	4	4771793	6	A1.05	1	1	-45A	RING	ANELLO
	1	4771827	6	A1.05	1	1	235S	PISTON	STANTUFFO
1930208									
	5	4770451	6	A1.05	1	1	80P	PIN	PERNO
	6	4770452	12	A1.05	1	1	187A	SNAP RING	ANELLO ELASTICO
	3	4770634	6	A1.05	1	1	45A	RING	ANELLO
	2	4771790	6	A1.05	1	1	45A	RING	ANELLO
	4	4771795	6	A1.05	1	1	45A	RING	ANELLO
	1	4771829	6	A1.05	1	1	235S	PISTON	STANTUFFO
1930209									
	4	4754400	6	A1.05	1	1	45A	RING	ANELLO
	3	4754401	6	A1.05	1	1	45A	RING	ANELLO
	2	4758713	6	A1.05	1	1	45A	RING	ANELLO
1930210									
	3	4770632	6	A1.05	1	1	45A	RING	ANELLO
	2	4771788	6	A1.05	1	1	45A	RING	ANELLO
	4	4771793	6	A1.05	1	1	45A	RING	ANELLO
1930211									
	3	4770634	6	A1.05	1	1	45A	RING	ANELLO
	2	4771790	6	A1.05	1	1	45A	RING	ANELLO
	4	4771795	6	A1.05	1	1	45A	RING	ANELLO
4791125									
	2	4777183	3	A2.24	2	1	97S	HALF CONNECTOR	SEMIMORSETTO

FIATALLIS

PART NUMBER	ITEM	KIT COMP. PART. N.	QTY	SGR.	TAV.	PAG.	TRANS CODE	DESCRIPTION	DENOMINAZIONE
4791125	3	4777184	3	A2.24	2	1	97S	HALF CONNECTOR	SEMIMORSETTO
	1	4777185	3	A2.24	2	1	78B	FASTENING BLOCK	BLOCCHETTO DI FISSAGGIO
	9	4792661	1	A2.24	2	1	193T	TUBE	TUBO RIGIDO
	10	4792662	1	A2.24	2	1	193T	TUBE	TUBO RIGIDO
	11	4792663	1	A2.24	2	1	193T	TUBE	TUBO RIGIDO
	12	4792664	1	A2.24	2	1	193T	TUBE	TUBO RIGIDO
	13	4792665	1	A2.24	2	1	193T	TUBE	TUBO RIGIDO
	14	4792666	1	A2.24	2	1	193T	TUBE	TUBO RIGIDO
	17	10902021	3	A2.24	2	1	40V	SCREW	TUBO RIGIDO
	18	15896221	3	A2.24	2	1	10D	NUT	VITE DADO
73058961	28	70067487	1	E3.26	1	1	334C	DUST BOOT	CUFFIA PARAPOLVERE
	29	70927694	1	E3.26	1	1	45A	RING	ANELLO
	35	70927783	1	E3.26	1	2	45A	RING	ANELLO
	33	73058962	1	E3.26	1	1	60S	CUP	SCODELLINO
73058961	28	70067487	1	E3.26/1	1	1	334C	DUST BOOT	CUFFIA PARAPOLVERE
	29	70927694	1	E3.26/1	1	1	45A	RING	ANELLO
	35	70927783	1	E3.26/1	1	2	45A	RING	ANELLO
	33	73058962	1	E3.26/1	1	2	60S	CUP	SCODELLINO
73058961	25	70067487	1	E3.27/2	1	1	334C	DUST BOOT	CUFFIA PARAPOLVERE
	26	70927694	1	E3.27/2	1	1	45A	RING	ANELLO
	32	70927783	1	E3.27/2	1	1	45A	RING	ANELLO
	30	73058962	1	E3.27/2	1	1	60S	CUP	SCODELLINO
73076583	14	73058975	1	E3.26	1	1	60S	CUP	SCODELLINO

(Added August 1988)

PART NUMBER	ITEM	KIT COMP. PART. N.	QTY	SGR.	TAV.	PAG.	TRANS CODE	DESCRIPTION	DENOMINAZIONE
73076583									
	11	73058978	1	E3.26	1	1	61F	STEEL WIRE	FILO ACCIAIO
	10	73076584	1	E3.26	1	1	334C	DUST BOOT	CUFFIA PARAPOLVERE
73076583									
	14	73058975	1	E3.26/1	1	1	60S	CUP	SCODELLINO
	11	73058978	1	E3.26/1	1	1	61F	STEEL WIRE	FILO ACCIAIO
	10	73076584	1	E3.26/1	1	1	334C	DUST BOOT	CUFFIA PARAPOLVERE
73143460									
	7	11270060	4	B2.01	10	1	122G	SEAL	GUARNIZIONE
	56	11270060	1	B2.33	1	2	122G	SEAL	GUARNIZIONE
	34	11270260	3	B2.01	3	2	158G	O-RING	GUARNIZIONE O-R
	44	11270560	2	B2.01	3	2	158G	O-RING	GUARNIZIONE O-R
	40	11270860	1	B2.01	3	2	158G	O-RING	GUARNIZIONE O-R
	46	11270960	2	B2.01	3	2	122G	SEAL	GUARNIZIONE
	37	73140404	2	B2.01	3	2	158G	O-RING	GUARNIZIONE O-R
	11	73140543	1	B2.01	11	1	158G	O-RING	GUARNIZIONE O-R
	6	73140645	3	B2.33	1	1	158G	O-RING	GUARNIZIONE O-R
	4	73140668	1	B2.33	1	1	158G	O-RING	GUARNIZIONE O-R
	26	73140797	1	B2.01	3	1	122G	SEAL	GUARNIZIONE
	16	73142730	1	B2.01	1	1	120G	GASKET	GUARNIZIONE PIANA
	14	73142732	1	B2.01	1	1	187A	SNAP RING	ANELLO ELASTICO
	12	73142734	1	B2.01	1	1	123G	SEAL ASSY	GUARNIZIONE TENUTA FRONTALE
	14	73142759	19	B2.01	9	1	131R	WASHER	ROSETTA
	42	73142761	2	B2.01	3	2	120G	GASKET	GUARNIZIONE PIANA
	3	73142761	2	B2.01	8	1	120G	GASKET	GUARNIZIONE PIANA
	11	73142786	2	B2.01	10	1	120G	GASKET	GUARNIZIONE PIANA
	36	73142832	1	B2.01	7	2	120G	GASKET	GUARNIZIONE PIANA
	4	73142878	1	B2.01	1	1	158G	O-RING	GUARNIZIONE O-R
	19	73142947	1	B2.01	1	1	158G	O-RING	GUARNIZIONE O-R

FIATALLIS

PART NUMBER	ITEM	KIT COMP. PART. N.	QTY	SGR.	TAV.	PAG.	TRANS CODE	DESCRIPTION	DENOMINAZIONE
73143460									
	18	73142949	1	B2.01	1	1	120G	GASKET	GUARNIZIONE PIANA
	22	73142963	2	B2.01	5	1	122G	SEAL	GUARNIZIONE
	22	73142963	2	B2.01	6	1	122G	SEAL	GUARNIZIONE
	20	73142963	2	B2.01	7	1	122G	SEAL	GUARNIZIONE
	24	73142996	2	B2.01	5	1	122G	SEAL	GUARNIZIONE
	24	73142996	2	B2.01	6	1	122G	SEAL	GUARNIZIONE
	22	73142996	2	B2.01	7	1	122G	SEAL	GUARNIZIONE
	9	73143030	1	B2.01	11	1	158G	O-RING	GUARNIZIONE
	28	73143039	1	B2.01	3	2	122G	SEAL	GUARNIZIONE O-R
	28	73143401	1	B2.01	1	2	158G	O-RING	GUARNIZIONE O-R
	31	73143402	1	B2.01	1	2	120G	GASKET	GUARNIZIONE PIANA
	33	73143407	1	B2.01	3	2	158G	O-RING	GUARNIZIONE O-R
	5	73143438	1	B2.01	5	1	120G	GASKET	GUARNIZIONE PIANA
	6	73143438	1	B2.01	6	1	120G	GASKET	GUARNIZIONE PIANA
	5	73143438	1	B2.01	7	1	120G	GASKET	GUARNIZIONE PIANA
	4	73143487	2	B2.01	4	1	120G	GASKET	GUARNIZIONE PIANA
	6	73143495	1	B2.01	2	1	157G	LIP SEAL	GUARNIZIONE ALBERO ROTANTE
	47	73143499	1	B2.01	3	2	120G	GASKET	GUARNIZIONE PIANA
	4	79060521	3	B2.01	5	1	120G	GASKET	GUARNIZIONE PIANA
	5	79060521	3	B2.01	6	1	45A	RING	ANELLO
	4	79060521	3	B2.01	7	1	45A	RING	ANELLO
79062510									
	5	4632108	1	A2.52	1	1	123G	SEAL ASSY	GUARNIZIONE TENUTA FRONTALE
	2	4632113	1	A3.01	2	1	122G	SEAL	GUARNIZIONE
	4	4632117	1	A3.01	2	1	122G	SEAL	GUARNIZIONE
	2	4632123	1	A2.52	1	1	122G	SEAL	GUARNIZIONE
	6	4636339	1	A2.52	1	1	122G	SEAL	GUARNIZIONE
	4	4728639	2	A4.02	1	1	123G	SEAL ASSY	GUARNIZIONE TENUTA FRONTALE
	1	4776544	3	A2.54	1	1	122G	SEAL	GUARNIZIONE
							123G	SEAL ASSY	GUARNIZIONE TENUTA FRONTALE

FIATALLIS

PART NUMBER	ITEM	KIT COMP. PART. N.	QTY	SGR.	TAV.	PAG.	TRANS CODE	DESCRIPTION	DENOMINAZIONE
79062510									
	2	4813566	6	A2.54	1	1	123G	SEAL ASSY	GUARNIZIONE TENUTA FRONTALE
	15	11270360	1	A3.01	2	1	133R	SEAL	ROSETTA DI TENUTA
	7	14463281	1	A4.02	1	1	158G	O-RING	GUARNIZIONE O-R
79062511									
	1	4031577	1	A1.02	2	1	123G	SEAL ASSY	GUARNIZIONE TENUTA FRONTALE
	1	4600893	1	A1.25	1	1	123G	SEAL ASSY	GUARNIZIONE TENUTA FRONTALE
	1	4605564	1	A1.02	1	1	123G	SEAL ASSY	GUARNIZIONE TENUTA FRONTALE
	2	4607590	1	A1.02	2	1	123G	SEAL ASSY	GUARNIZIONE TENUTA FRONTALE
	4	4653283	1	A1.02	1	1	123G	SEAL ASSY	GUARNIZIONE TENUTA FRONTALE
	3	4781578	1	A1.02	2	1	123G	SEAL ASSY	GUARNIZIONE TENUTA FRONTALE
	4	4781579	1	A1.02	2	1	123G	SEAL ASSY	GUARNIZIONE TENUTA FRONTALE
	6	4782785	1	A1.02	1	1	123G	SEAL ASSY	GUARNIZIONE TENUTA FRONTALE
	7	4782786	1	A1.02	1	1	123G	SEAL ASSY	GUARNIZIONE TENUTA FRONTALE
	27	14463880	1	A1.02	1	1	158G	O-RING	GUARNIZIONE O-R
	28	14483080	1	A1.02	1	1	158G	O-RING	GUARNIZIONE O-R
79062512									
	5	4754069	1	A1.01	1	1	123G	SEAL ASSY	GUARNIZIONE TENUTA FRONTALE
	5	4783241	1	A1.01	2	1	123G	SEAL ASSY	GUARNIZIONE TENUTA FRONTALE
79083788									
	12	8291552	1	E3.32	1	1	122G	SEAL	GUARNIZIONE
	13	8298615	1	E3.32	1	1	10D	NUT	DADO
	10	14465780	1	E3.32	1	1	158G	O-RING	GUARNIZIONE O-R
	8	14466080	1	E3.32	1	1	158C	O-RING	GUARNIZIONE O-R
	9	79021911	1	E3.32	1	1	45A	RING	ANELLO
	18	79071319	1	E3.32	1	1	2K	KIT	KIT

FIATALLIS

PART NUMBER	ITEM	KIT COMP. PART. N.	QTY	SGR.	TAV.	PAG.	TRANS CODE	DESCRIPTION	DENOMINAZIONE
79083792									
	12	8281824	1	E3.32/	1	1	10D	NUT	DADC
	9	14473280	1	E3.32/	1	1	158G	O-RING	GUAFFNIZIONE O-R
	11	79023160	1	E3.32/	1	1	122G	SEAL	GUAFFNIZIONE
	8	79023161	1	E3.32/	1	1	45A	RING	ANELLO
	15	79071464	1	E3.32/	1	1	2K	KIT	KIT

**"FILTER CARE" KIT
MODEL: FR11**

**250 HOUR KIT
PART NUMBER: 75126627**

<u>QUANTITY</u>	<u>PART NUMBER</u>	<u>DESCRIPTION</u>
2	04787418	Oil Filter
1	73074045	Transmission Oil Filter
1	04964322	Fuel Filter

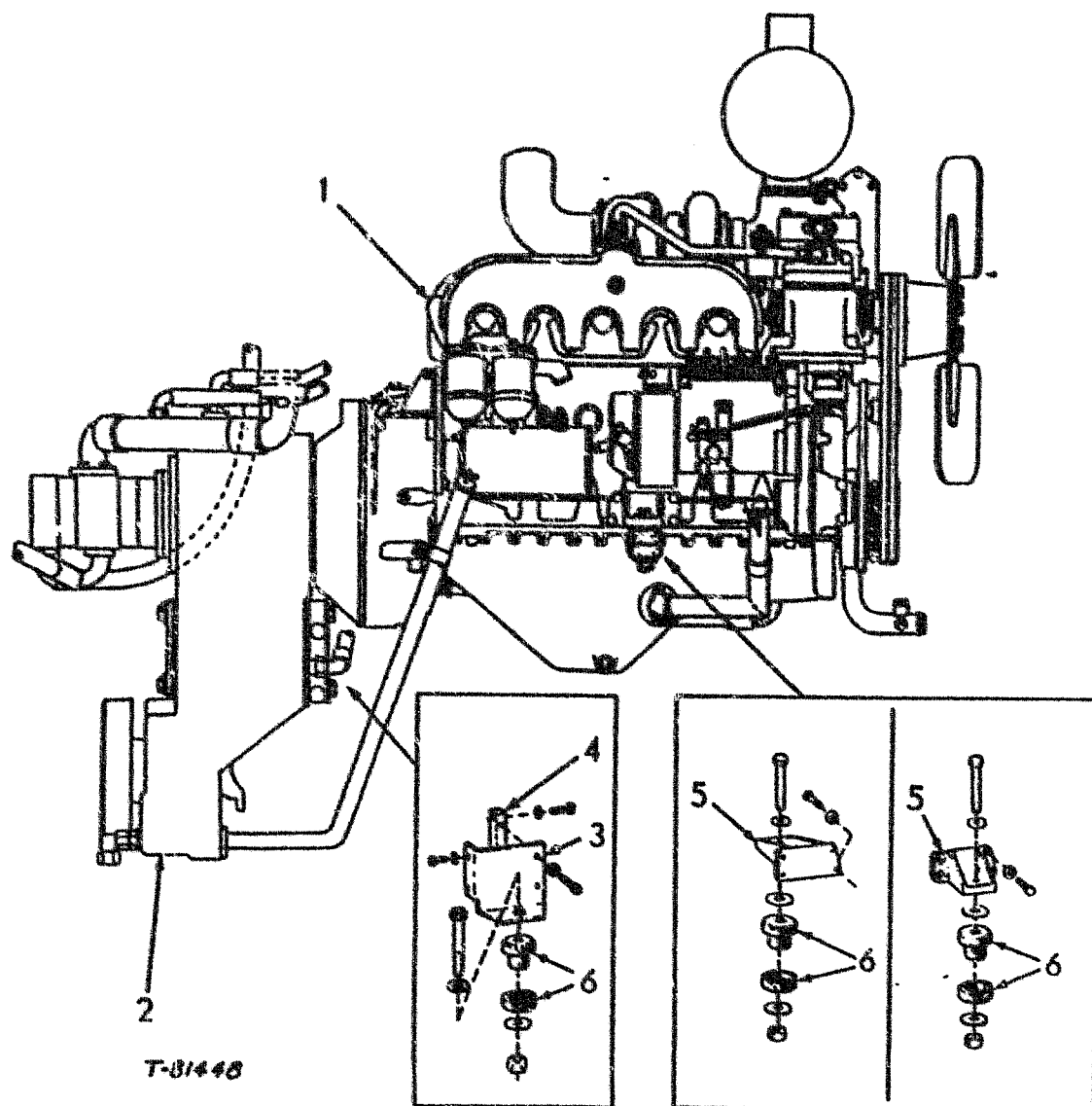
**500 HOUR KIT
PART NUMBER: 75126628**

2	04787410	Oil Filter
1	73074045	Transmission Oil Filter
1	04964322	Fuel Filter
1	70666421	Hydraulic Filter
2	70663977	Gasket
1	70926821	O-ring

**1000 HOUR KIT
PART NUMBER: 75126629**

2	04787410	Oil Filter
1	73074045	Transmission Oil Filter
1	04964322	Fuel Filter
1	70666421	Hydraulic Filter
2	70663977	Gasket
1	70926821	O-ring
1	70684732	Air Filter - Primary
1	70662608	Air Filter - Safety

NOTE: Clean & Reuse Hydraulic Oil Intake Strainer - 73066037



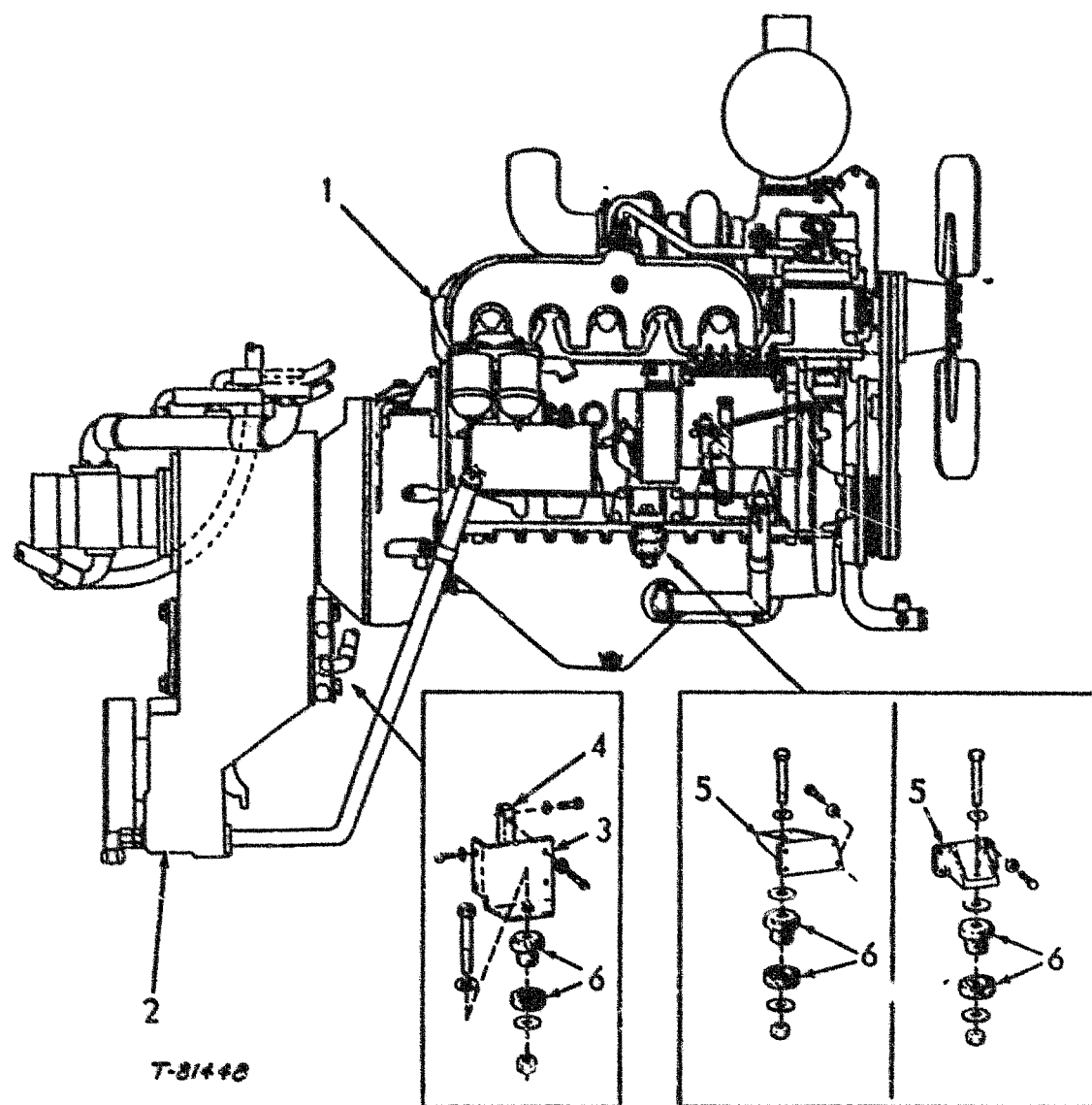
ITEM	PART NO.	QTY.	CODE	DESCRIPTION	DENOMINAZIONE
1	a08106691	1	139M	ENGINE ASSEMBLY	MOTORE ALLEGGERITO
2	-----	1	30C	TRANSMISSION(B200)	CAMBIO DI VELOCITA
	11306930	12	40V	CAPSCREW, M10 X 1.25 X 30MM	VITE
3	73136419	1	230S	BRACKET, MOUNTING	STAFFETTA FISSAGGIO
			600A	LEFT	SINISTRO
	11124531	2	40V	CAPSCREW	VITE
	70922743	2	40V	CAPSCREW, 3/4"NC X 2"	VITE
	70677012	4	131R	WASHER	ROSETTA
	73136420	1	230S	BRACKET, MOUNTING	STAFFETTA FISSAGGIO
			600B	RIGHT	DESTRO
	11124731	2	40V	CAPSCREW	VITE
	70922743	2	40V	CAPSCREW, 3/4"NC X 2"	VITE
	70677012	4	131R	WASHER	ROSETTA
4	73136421	1	105P	PLATE	PIASTRA
			600A	LEFT	SINISTRO
	73136422	1	105P	PLATE	PIASTRA
			600B	RIGHT	DESTRO
	11125031	4	40V	CAPSCREW	VITE
	70677012	4	131R	WASHER	ROSETTA
5	73075023	1	230S	BRACKET, MOUNTING	STAFFETTA FISSAGGIO
			600A	LEFT	SINISTRO
	73075024	1	230S	BRACKET, MOUNTING	STAFFETTA FISSAGGIO
			600B	RIGHT	DESTRO
	15970931	8	40V	CAPSCREW, M10 X 1.25 X 35MM	VITE
	70929156	8	131R	WASHER	ROSETTA
6	73075204	4	500J	GROMMET	ANELLO
	70933223	4	40V	CAPSCREW, 7/8"NC X 6"	VITE
	70931478	4	131R	WASHER, 7/8"	ROSETTA
	73075205	8	131R	WASHER	ROSETTA
	70920559	4	257C	LOCKNUT	CONTRODADO

FR11

ENGINE & MOUNTING
MOTORE E MONTAGGIO
MOTEUR ET SUPPORTS
MOTOR UND EINBAU
MOTOR Y SOPORTES

A001

REVISED OCTOBER 1990



ITEM PART NO. QTY. CODE DESCRIPTION

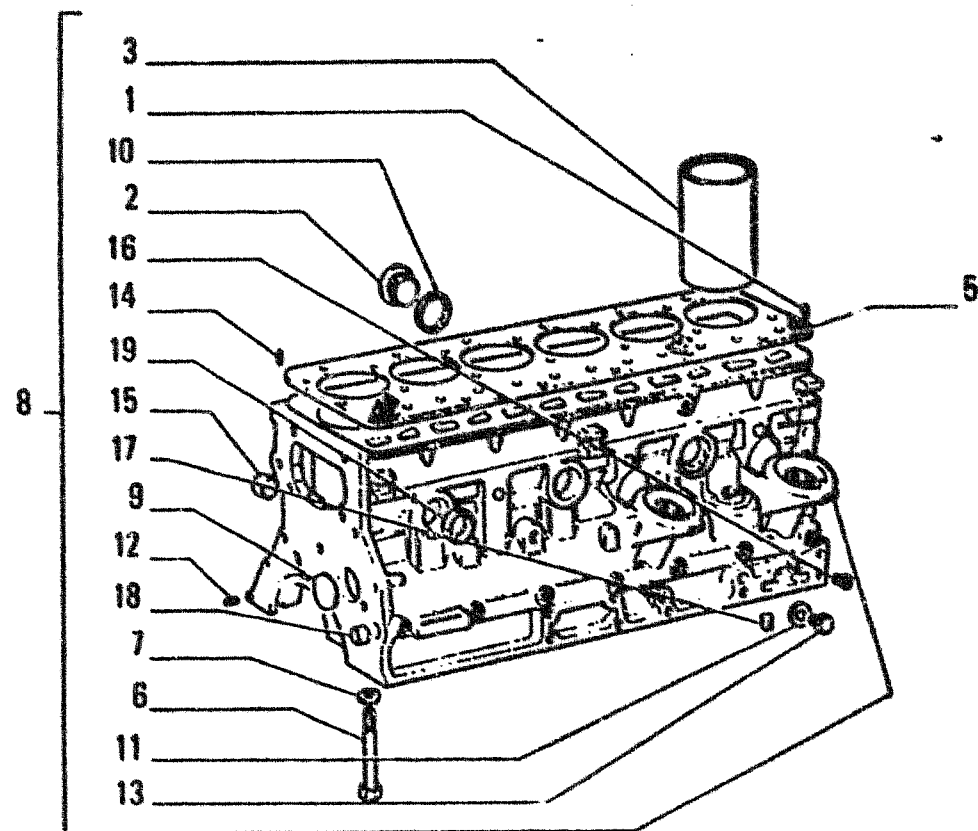
DENOMINAZIONE

- a. INCLUDES OIL FILTER, FUEL FILTER, WATER PUMP, STARTER, ALTERNATOR, AIR COMPRESSOR AND TURBOCHARGER, BUT DOES NOT INCLUDE FAN, AIR CLEANER OR MUFFLER.
 COMPRENDE FILTRO OLIO, FILTRO COMBUST., POMPA ACQUA MOTORINO AVVIAMENTO, COMPRESSORE, ARIA E TURBOCOMPRESSORE, NON COMPRENDE VENTILATORE, FILTRO ARIA E MARMITTA SCARICO.
 FILTRE A HUILE, FILTRE A CARBURANT, POMPE A EAU, DEMARREUR, ALTERNATEUR, COMPRESSEUR A AIR ET TURBOCOMPRESSEUR INCLIS. PAR CONTRE LE VENTILATEUR, FILTRE A AIR ET SILENCIEUX NE SONT PAS INCLUS.
 EINGESCHLOSSEN SIND OLFILTER, KRAFTSTOFFILTER, WASSERPUMPE, ANLASSER, WECHSELSTROMLICHTMASCHINE, LUFTKOMPRESSOR UND ABGASTURBOLADER, ABER NICHT EINGESCHLOSSEN SIND GEBLASE, LUFTREINIGER ODER SCHALLDAMPFER.
 FILTRO DE ACEITE, FILTRO DE COMBUSTIBLE, BOMBA DE AGUA, ARRANQUE, ALTERNADOR, COMPRESOR DE AIRE Y EL TURBOALIMENTADOR INCLUSOS. PERO EL VENTILADOR, FILTRO DE AIRE Y SILENCIADOR NO SON INCLUSOS.

FR11

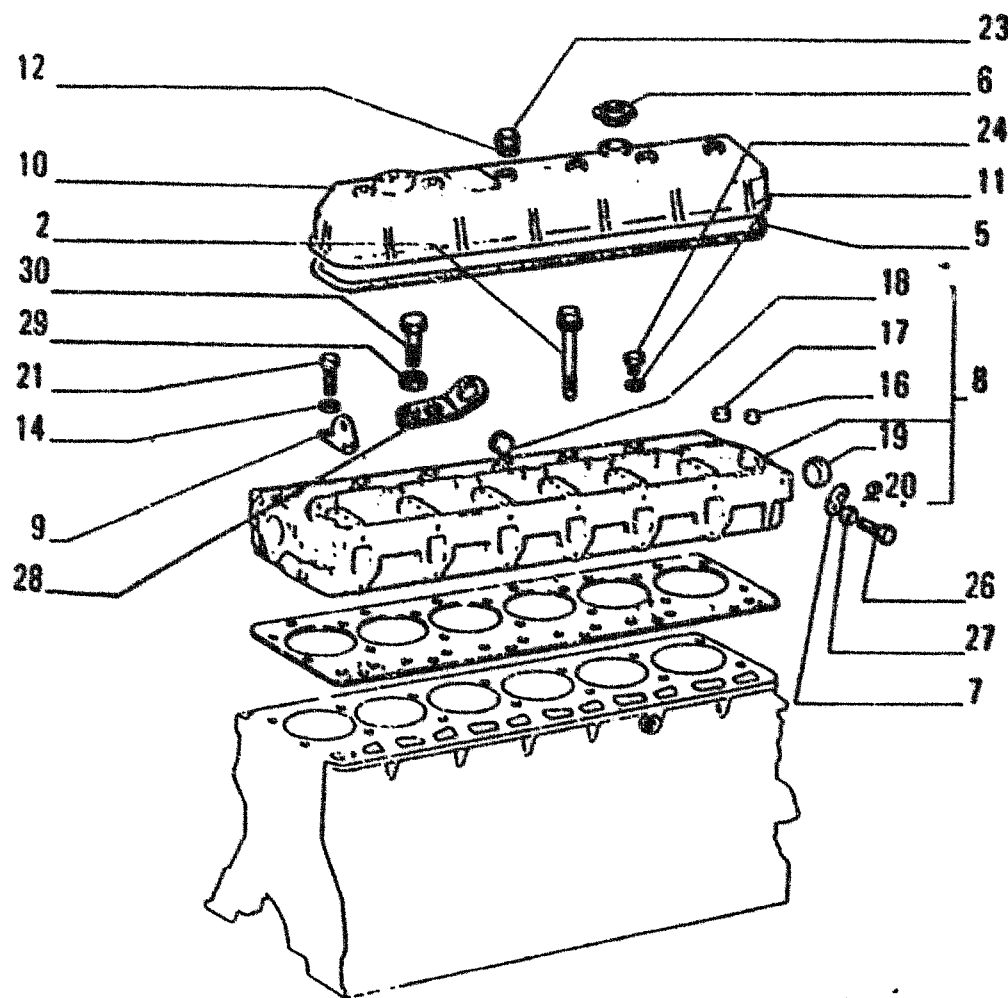
ENGINE & MOUNTING
 MOTORE E MONTAGGIO
 MOTEUR ET SUPPORTS
 MOTOR UND EINBAU
 MOTOR Y SOPORTES

A001



ITEM	PART NO.	QTY.	CODE	DESCRIPTION	DENOMINAZIONE
1	04599607	1	90G	DOWEL	GRANO
2	04665029	1	50T	PLUG	TAPPO
3	04770623	6	206T	TUBE(+0.0)	TUBO
	04770624	6	206T	TUBE(+0.2)	TUBO
5	04754069	1	133R	SEAL (SEE PAGE 9/5)	GUARNIZIONE TENUTA
6	04710517	14	40V	CAPSCREW	VITE
7	04710518	14	131R	WASHER	ROSETTA
8	04782934	1	20B	CRANKCASE	BASAMENTO MOTORE
9	10180701	1	50T	PLUG	TAPPO
10	10265460	1	133R	SEAL	GUARNIZIONE TENUTA
11	10296160	1	133R	SEAL	GUARNIZIONE TENUTA
12	10939610	2	90G	DOWEL	GRANO
13	11903271	1	50T	PLUG	TAPPO
14	14165470	1	80P	PIN	PERNO
15	14282770	6	50T	PLUG	TAPPO
16	14323911	5	50T	PLUG	TAPPO
	14328401	2	50T	PLUG	TAPPO
17	14324211	2	50T	PLUG	TAPPO
18	14328501	3	50T	PLUG	TAPPO
19	14329901	2	50T	PLUG	TAPPO

FR11	CRANKCASE & CYLINDER HEAD BASAMENTO E TESTA CILINDRI BATI ET CULASSE KURBELGEHAEUSE UND ZYLINDERKOPF BLOQUE DE CILINDROS Y CULATA	A101	1
		Revised August 1988	



ITEM	PART NO.	QTY.	CODE	DESCRIPTION	DENOMINAZIONE
2	04708457	26	40V	CAPSCREW	VITE
5	04783241	1	133R	SEAL (SEE PAGE 9/5)	GUARNIZIONE TENUTA
6	04232606	1	50T	PLUG	TAPPO
7	04695922	1	120	EYE	OCCHIELLO
8	04782868	1	164C	CYLINDER	CILINDRO
9	04760284	1	120	EYE	OCCHIELLO
10	04670063	1	265C	COVER	COPERCHIO
11	10263460	1	133R	SEAL	GUARNIZIONE TENUTA
12	10519660	6	131R	WASHER	ROSETTA
14	10516671	2	132R	LOCKWASHER	ROSETTA DI SICUREZZA
16	14282170	1	50T	PLUG	TAPPO
17	14282470	12	50T	PLUG	TAPPO
18	14282770	1	50T	PLUG	TAPPO
19	14282970	1	50T	PLUG	TAPPO
20	14323911	1	50T	PLUG	TAPPO
21	16043221	2	40V	CAPSCREW	VITE
				M8 X 1.25 X 16MM	
23	16104111	6	10D	NUT, 8 X 1.25 X 10.6	DADO
24	00597248	1	20R	FITTING	RACCORDO
26	15970521	1	40V	CAPSCREW, 10 X 1.25 X 20	VITE
27	11190579	1	132R	LOCKWASHER	ROSETTA DI SICUREZZA
28	04695923	1	120	EYE	OCCHIELLO
29	10519601	1	131R	WASHER	ROSETTA
30	16044021	1	40V	CAPSCREW, 8 X 1.25 X 40	VITE

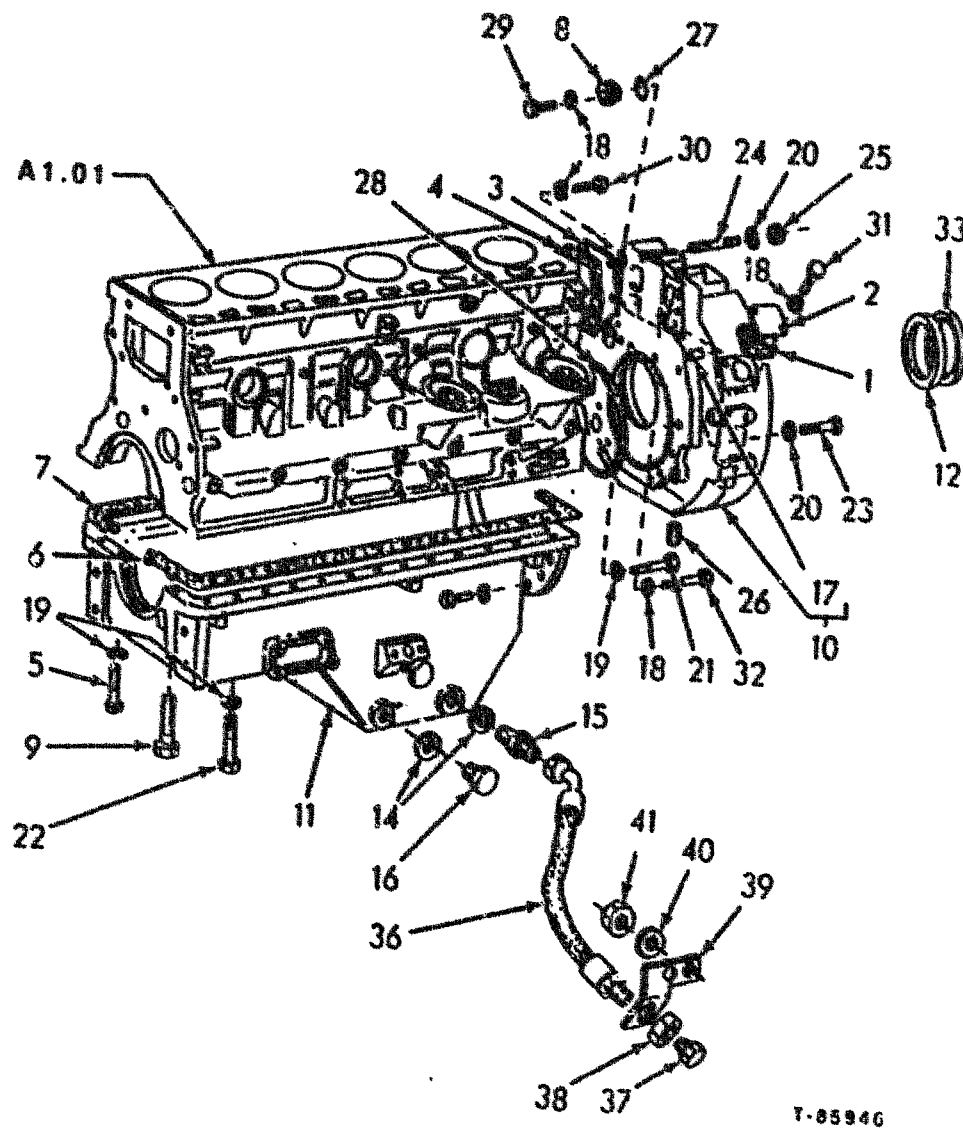
FR11

CRANKCASE & CYLINDER HEAD
 BASAMENTO E TESTA CILINDRI
 BATI ET CULASSE
 KURBELGEHAEUSE UND ZYLINDERKOPF
 BLOQUE DE CILINDROS Y CULATA

A101

2

UPDATE 07/97



ITEM	PART NO.	QTY.	LEX.	DESCRIPTION
1	04605564	1	133R	SEAL (SEE PAGE 9/6)
2	04607786	1	265C	COVER
3	04653282	1	265C	COVER, REAR
4	04653283	1	133R	SEAL (SEE PAGE 9/6)
5	15971811	2	40V	CAPSCREW, 10 X 1.25 X 100
6	04782785	1	133R	SEAL (SEE PAGE 9/6)
7	04782786	1	133R	SEAL (SEE PAGE 9/6)
8	04718740	1	50T	PLUG
9	15972811	1	40V	CAPSCREW, 10 X 1.25 X 150
10	04784723	1	300S	SUPPORT, REAR
11	04753719	1	274C	SUMP, OIL
12	04787154	1	75D	SPACER
14	10263460	3	133R	SEAL
15	79056756	1	20R	FITTING
16	10305171	2	50T	PLUG
17	10839610	2	90G	DOWEL
18	11198071	13	132R	LOCKWASHER
19	11198371	39	132R	LOCKWASHER
20	11200171	4	132R	LOCKWASHER
21	11306921	10	40V	CAPSCREW, 10 X 1.25 X 30
22	11307021	26	40V	CAPSCREW, 10 X 1.25 X 40
23	11408321	2	40V	CAPSCREW, 14 X 1.5 X 35
24	11797721	2	210P	STUD
25	12164011	2	10D	NUT
26	14325601	1	50T	PLUG
27	14463880	1	55A	O-RING (SEE PAGE 9/6)
28	14483080	1	55A	O-RING (SEE PAGE 9/6)
			602A	PRIOR TO ENGINE NO. 416238
	14483081	1	55A	O-RING
			602B	ENGINE NO. 416238 AND UP
29	16043221	1	40V	CAPSCREW, 8 X 1.25 X 16
30	16043321	6	40V	CAPSCREW, 8 X 1.25 X 18

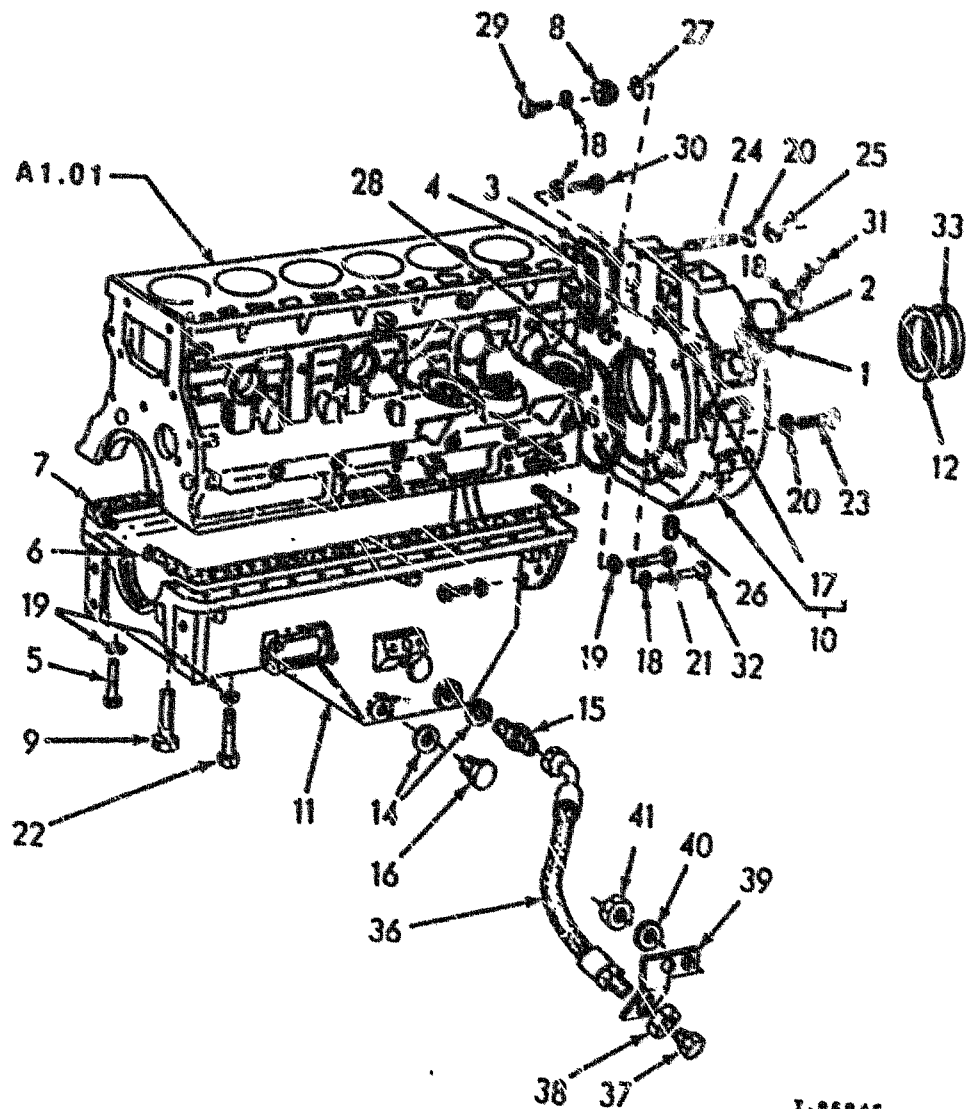
FR11

OIL SUMP & CRANKCASE COVERS

A102

1

REVISED OCTOBER 1990



T-85946

ITEM	PART NO.	QTY.	LEX.	DESCRIPTION
31	16043421	2	40V	CAPSCREW, 8 X 1.25 X 20
32	16043921	2	40V	CAPSCREW, 8 X 1.25 X 35
33	40003800	1	55A	O-RING
36	73069104	1	192T	HOSE
37	70920416	1	50T	PLUG
38	70924673	1	10D	NUT
39	76010822	1	105P	PLATE
40	70677006	2	131R	WASHER
41	70922300	2	10D	NUT

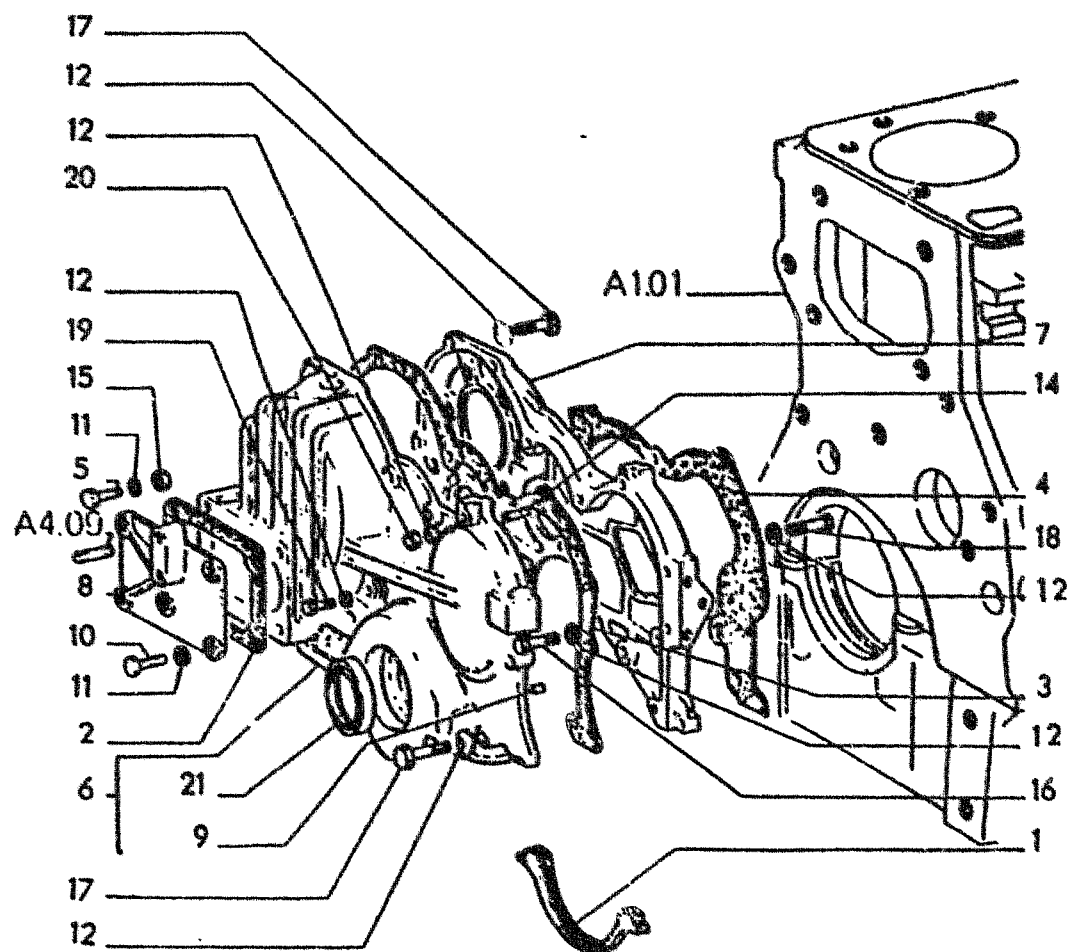
FR11

OIL SUMP & CRANKCASE COVERS

A102

1

ADDED OCTOBER 1990



ITEM	PART NO.	QTY.	CODE	DESCRIPTION	DENOMINAZIONE
1	04031577	1	133R	SEAL (SEE PAGE 9/6)	GUARNIZIONE TENUTA
2	04607590	1	133R	SEAL (SEE PAGE 9/6)	GUARNIZIONE TENUTA
3	04781578	1	133R	SEAL (SEE PAGE 9/6)	GUARNIZIONE TENUTA
4	04781579	1	133R	SEAL (SEE PAGE 9/6)	GUARNIZIONE TENUTA
5	04615276	4	40V	CAPSCREW	VITE
6	04769187	1	265C	COVER	COPERCHIO
7	04766126	1	80C	CASE	CARCASSA
8	04789054	1	265C	COVER	COPERCHIO
9	10839610	2	90G	DOWEL	GRANO
10	10903021	3	40V	CAPSCREW, 6 X 1 X 35	VITE
11	11197771	4	132R	LOCKWASHER	ROSETTA DI SICUREZZA
12	10519621	16	132R	LOCKWASHER	ROSETTA DI SICUREZZA
13	10263460	1	133R	SEAL	GUARNIZIONE TENUTA
14	13517720	1	40V	CAPSCREW, 8 X 1.25 X 67	VITE
15	15896211	4	10D	NUT	DADO
16	16043621	3	40V	CAPSCREW, 8 X 1.25 X 25	VITE
17	16043821	7	40V	CAPSCREW, 8 X 1.25 X 30	VITE
18	16044221	1	40V	CAPSCREW, 8 X 1.25 X 50	VITE
19	16044621	4	40V	CAPSCREW, 8 X 1.25 X 70	VITE
20	16100811	1	10D	NUT	DADO
21	40000010	1	33A	O-RING	ANELLO DI TENUTA

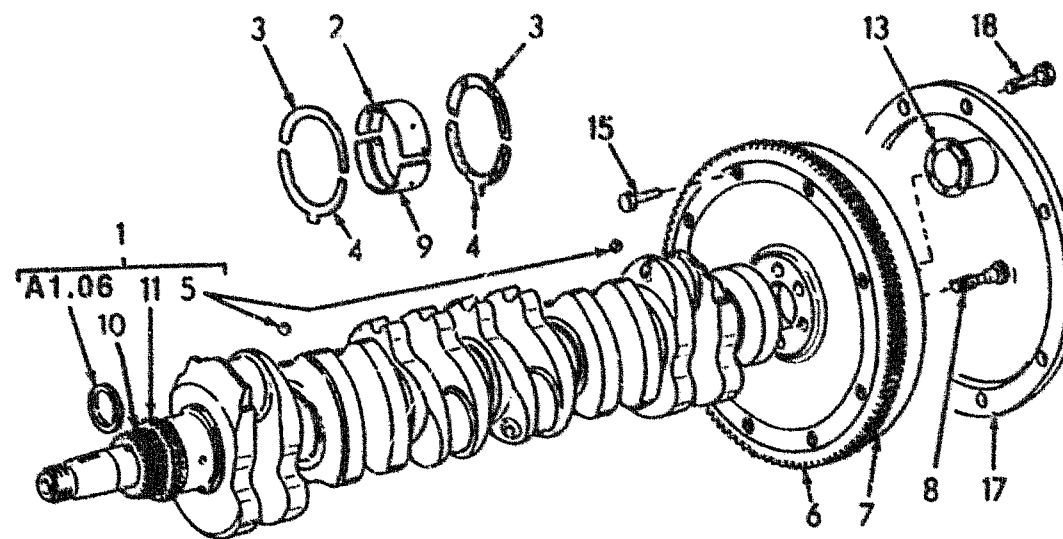
FR11

OIL SUMP & CRANKCASE COVERS
 COPPA E COPERCHI BASAMENTO
 CARTER D'HUILE ET COUVERCLES DE BLOC
 OELWANNE UND DECKEL DES KURBELGEHAUSES
 CARTER DE ACEITE Y TAPAS DEL BLOQUE

A102

2

Revised August 1988



ITEM PART NO. QTY. LEX. DESCRIPTION

1	04785107	1	18A	CRANKSHAFT	
2	04754062	7	103S	BEARING, HALF (-0.000)*	
	04771247	7	103S	BEARING, HALF (-0.127)*	
	04771248	7	103S	BEARING, HALF (-0.254)*	
	04771249	7	103S	BEARING, HALF (-0.508)*	
	04771250	7	103S	BEARING, HALF (-0.762)*	
	04771251	7	103S	BEARING, HALF (-1.016)*	
	3	04707775	2	90S	RING, HALF (+0.000)*
04707776		2	90S	RING, HALF (+0.127)*	
04708063		2	90S	RING, HALF (+0.254)*	
04708064		2	90S	RING, HALF (+0.508)*	
4		04707779	2	90S	RING, HALF (+0.000)*
		04707780	2	90S	RING, HALF (+0.127)*
		04708069	2	90S	RING, HALF (+0.254)*
5	04708070	2	90S	RING, HALF (+0.508)*	
	14328101	6	50T	PLUG	
6	04808854	1	47V	FLYWHEEL	
7	04704106	1	297C	GEAR, RING	
8	04779122	7	40V	CAPSCREW	
9	04754064	7	103S	BEARING, HALF (-0.000)*	
	04771257	7	103S	BEARING, HALF (-0.127)*	
	04771258	7	103S	BEARING, HALF (-0.254)*	
	04771259	7	103S	BEARING, HALF (-0.508)*	
	04771260	7	103S	BEARING, HALF (-0.762)*	
	04771261	7	103S	BEARING, HALF (-1.016)*	
10	04655844	2	60L	KEY	
11	04770255	1	50I	GEAR	
13	04808853	1	135M	HUB	
			600X	PRIOR TO UNIT NO. 530262	
	04847204	1	135M	HUB	
			600Y	UNIT NO. 530262 AND UP	
15	11107231	4	40V	CAPSCREW, 10 X 1.5 X 50	
17	76010393	1	75D	SPACER	
18	14791831	2	40V	CAPSCREW	

*SEE PAGE 9

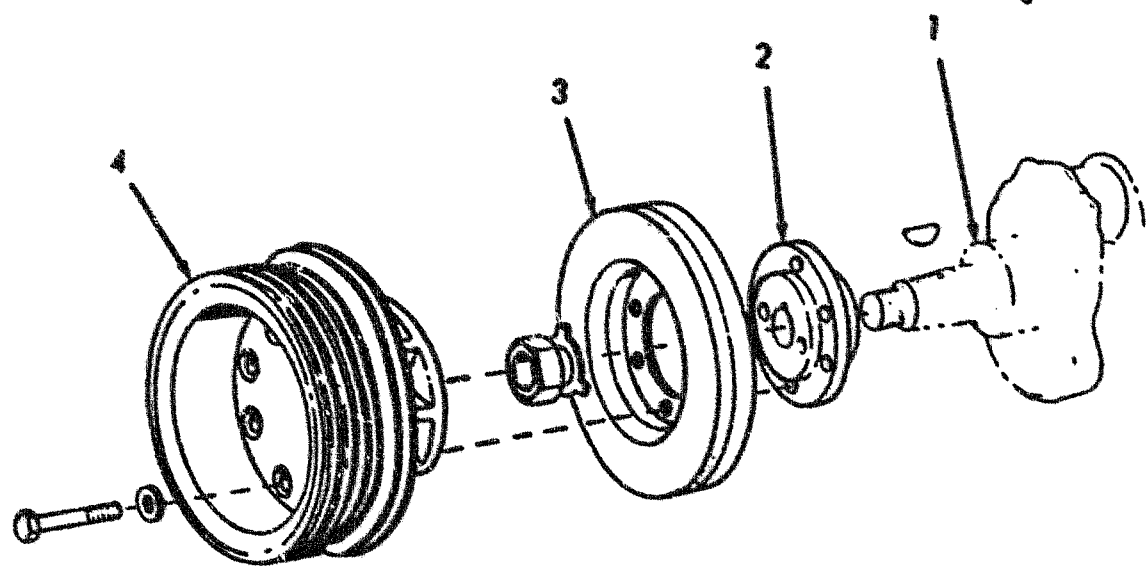
FR11

CRANKSHAFT & FLYWHEEL

A103

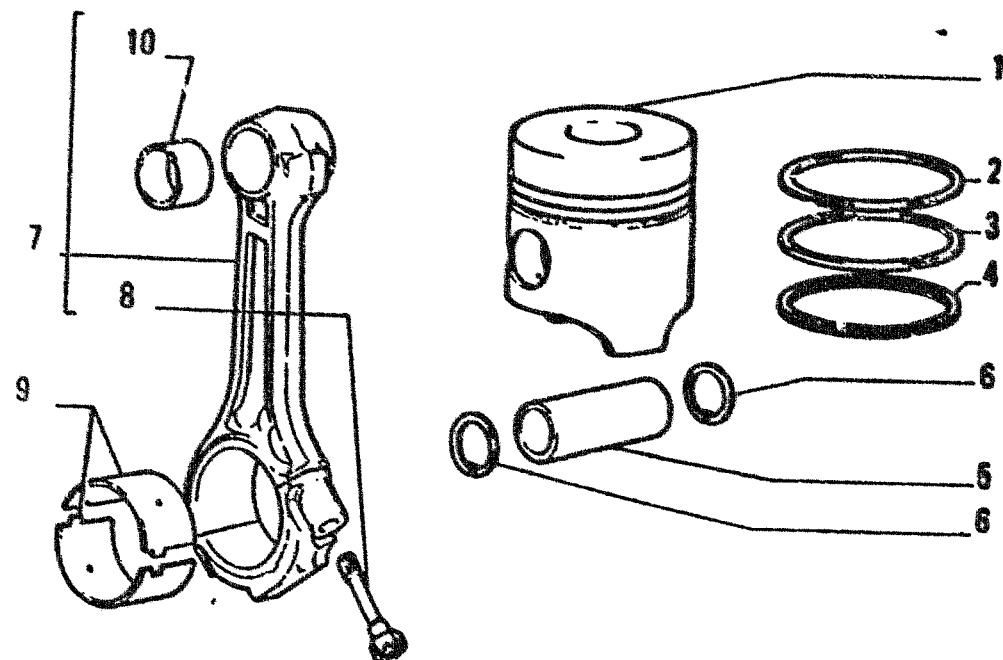
REVISED NOVEMBER 1990

ITEM	PART NO.	QTY.	CODE	DESCRIPTION	DEGNOMIAZIONE
1	-----	1	18A	CRANKSHAFT(A103)	ALBERO MOTORE
2	04655847	1	135M	HUB	MOZZO
	04600190	1	113P	LOCKPLATE	PIASTRINA DI SICUREZZA
	04600189	1	10D	NUT	DADO
3	04755894	1	164S	DAMPER	SMORZATORE
4	04754857	1	232P	PULLEY, DRIVING	PULEGGIA CONDUTTRICE
	11343721	6	40V	CAPSCREW, M10 X 1.25 X 65MM	VITE
	11198371	6	131R	WASHER,M10	ROSETTA



T-81745

FR11	CRANKSHAFT PULLEY PULEGGIA-ALBERO MOTORE POULIE DU VILEBREQUIN KURBELWELLENRIEMENSCHIEBE POLEA DEL CIGUENAL	A104



ITEM	PART NO.	QTY.	CODE	DESCRIPTION	DENOMINAZIONE
1	04770996	6	235S	PISTON(+0.00)*	STANTUFFO
	04771827	6	235S	PISTON(+0.4)*	STANTUFFO
	04771829	6	235S	PISTON(+0.8)*	STANTUFFO
2	04758713	6	45A	RING(+0.00)*	ANELLO
	04771788	6	45A	RING(+0.4)*	ANELLO
	04771790	6	45A	RING(+0.8)*	ANELLO
3	04754401	6	45A	RING(+0.00)*	ANELLO
	04770632	6	45A	RING(+0.4)*	ANELLO
	04770634	6	45A	RING(+0.8)*	ANELLO
4	04754400	6	45A	RING(+0.00)*	ANELLO
	04771793	6	45A	RING(+0.4)*	ANELLO
	04771795	6	45A	RING(+0.8)*	ANELLO
5	04770451	6	80P	PIN*	PERNO
6	04770452	12	51A	LOCKRING*	ANELLO DI SICUREZZA
7	04781342	6	51B	ROD, CONNECTING	BIELLA STANTUFFO
8	04780627	12	40V	CAPSCREW	VITE
9	04780965	12	103S	BEARING, HALF(+0.000)*	SEMICUSCINETTO
	04780966	12	103S	BEARING, HALF(+0.127)*	SEMICUSCINETTO
	04780967	12	103S	BEARING, HALF(+0.254)*	SEMICUSCINETTO
	04780968	12	103S	BEARING, HALF(+0.508)*	SEMICUSCINETTO
	04780969	12	103S	BEARING, HALF(+0.762)*	SEMICUSCINETTO
	04780970	12	103S	BEARING, HALF(+1.016)*	SEMICUSCINETTO
10	04771872	6	95B	BUSHING	BOCCOLA

*SEE PAGE 9/1 OR 9/3

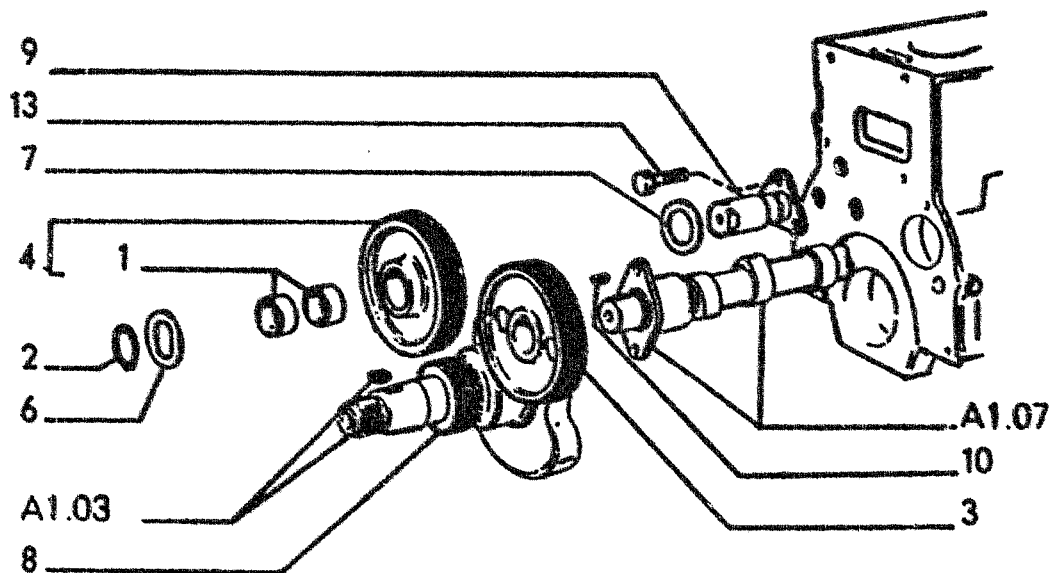
FR11

PISTON & CONNECTING ROD
 PISTONI E BIELLE
 PISTON ET BIELLE
 KOLBEN UND PLEUELSTANGE
 PISTON Y BIELA

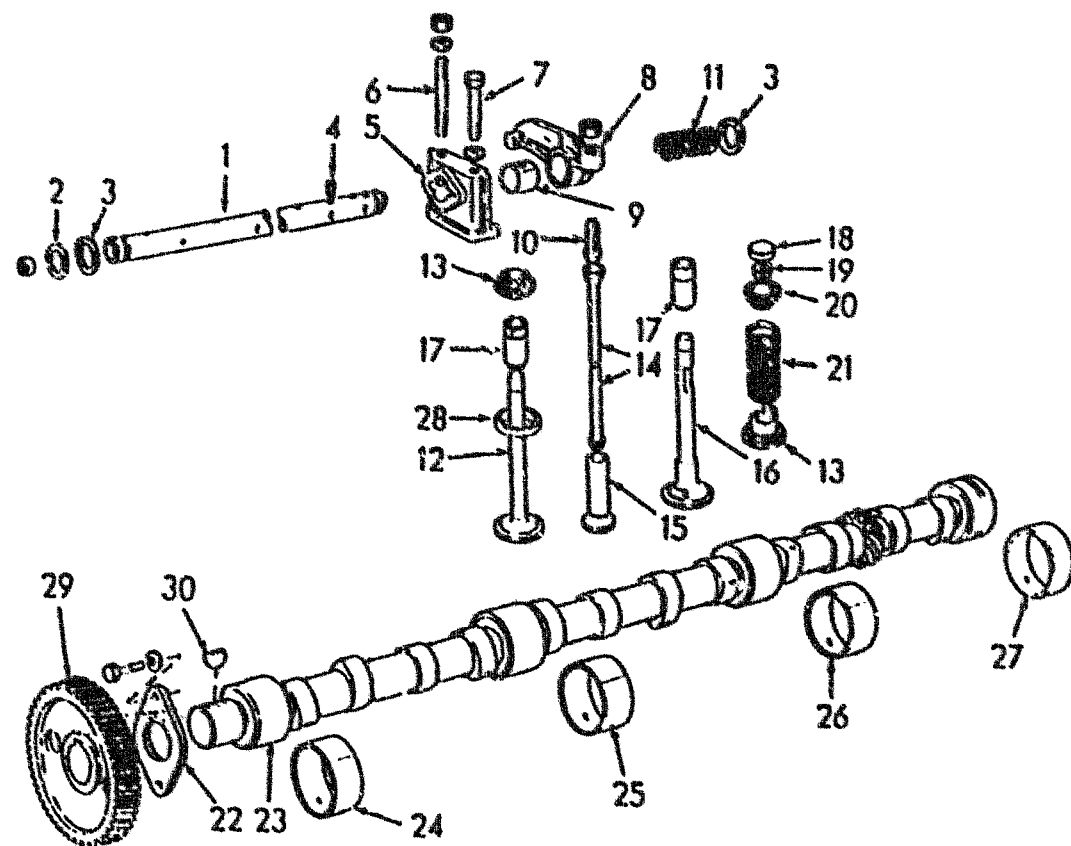
A105

Revised August 1988

ITEM	PART NO.	QTY.	CODE	DESCRIPTION	DENOMINAZIONE
1	04769418	2	95B	BUSHING	BOCCOLA
2	04769420	1	51A	LOCKRING	ANELLO DI SICUREZZA
3	04769412	1	50I	GEAR	INGRANAGGIO
4	04769414	1	50I	GEAR	INGRANAGGIO
6	04769419	1	131R	WASHER	ROSETTA
7	04667452	1	131R	WASHER	ROSETTA
8	04769413	1	50I	GEAR	INGRANAGGIO
9	04769416	1	80P	PIN	PERNO
10	10205910	1	60L	KEY	LINGUETTA
13	16321021	3	40V	CAPSCREW	VITE



FR11	CAMSHAFT DRIVE IDLER GEAR ALBERO A CAMME-INGRANAGGIO ROUE FOLLE D'ENTRAINEMENT DE L'ARBRE A CAMES NOCKENWELLENANTRIEBSZWISCHENZAHNRAD ENGRANAJE DE MANDO DEL ARBOL DE LEVAS	A106
------	---	------



7-81749

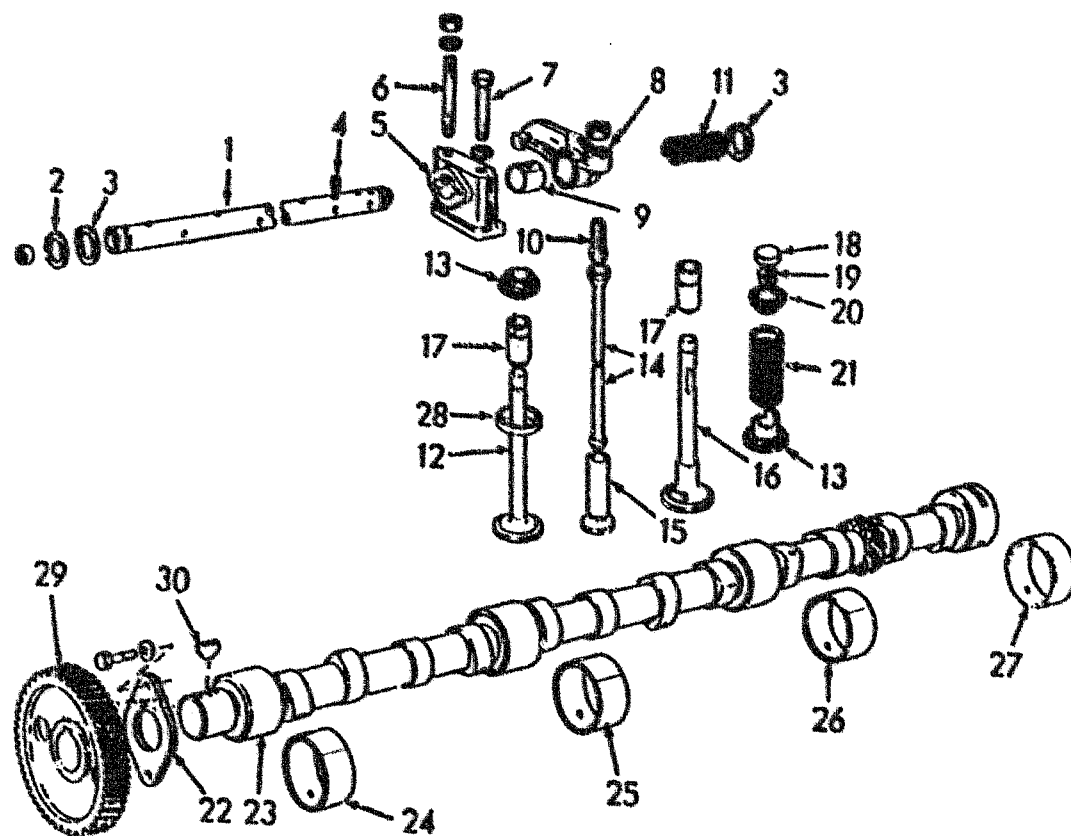
ITEM	PART NO.	QTY.	CODE	DESCRIPTION	DENOMINAZIONE
1	04608370.	1	16A	SHAFT	ALBERO
	14328301	2	601A	INCLUDES PLUG(S)	INCLUDE TAPPO(I)
2	11066675	2	50T	PLUG	TAPPO
3	04639661	10	131R	RING, RETAINING	ANELLO DI RITEGNO
	04570799	-	131R	WASHER	ROSETTA
		-	131R	WASHER, +0.5MM	ROSETTA
	04570798	-	600P	AS REQUIRED	DEFINITO AL MONTAGGIO
		-	131R	WASHER, +0.7MM	ROSETTA
		-	600P	AS REQUIRED	DEFINITO AL MONTAGGIO
4	09563652	1	42V	SCREW	VITE
5	04601295	6	80M	BRACKET	MENSOLA
6	13516221	6	210P	STUD, M8 X 1.25 X 102MM	PRIGIONIERO
	11198071	6	131R	WASHER, M8	ROSETTA
	16100811	6	100	NUT, M8	DADO
7	16044521	6	40V	CAPSCREW, M8X1.25X65MM	VITE
	11198071	6	131R	WASHER, M8	ROSETTA
8	04681251	12	130B	ARM	BRACCIO
		-	600L	INCLUDES ITEM(S)9	INCLUDE PARTIC.(I)
9	04682937	12	95B	BUSHING	BOCCOLA
10	04699783	12	91V	SCREW, ADJUSTABLE	VITE DI REGOLAZIONE
	04338920	12	100	NUT	DADO
11	04601296	3	100M	SPRING	MOLLA
12	04784890	6	112V	VALVE, EXHAUST, 45°	VALVOLA DI SCARICO
13	04673610	12	60S	CUP	SCODELLINO
		-	600D	LOWER	INFERIORE
14	04770455	12	90A	ROD	ASTA
15	04690352	12	167S	LIFTER	SOLLEVATORE
	04690506	-	167S	LIFTER, +0.1MM	SOLLEVATORE
		-	600P	AS REQUIRED	DEFINITO AL MONTAGGIO
	04690507	-	167S	LIFTER, +0.2MM	SOLLEVATORE
		-	600P	AS REQUIRED	DEFINITO AL MONTAGGIO
	04690508	-	167S	LIFTER, +0.3MM	SOLLEVATORE
		-	600P	AS REQUIRED	DEFINITO AL MONTAGGIO
16	04824416	6	111V	VALVE, INTAKE	VALVOLA ASPIRAZIONE
		-		OR	
	04824417	6	111V	VALVE, INTAKE	VALVOLA ASPIRAZIONE
17	04648421	12	150G	GUIDE, VALVE	GUIDA VALVOLA
	04648422	12	150G	GUIDE, VALVE, +0.2MM	GUIDA VALVOLA

FR11

VALVE OPERATING MECHANISM
DISTRIBUZIONE
COMMANDE DES SOUFAPES
VENTILBEDIENUNGSHEBEL
MECANISMO ACTUACION VALVULAS

A107

REVISED OCTOBER 1990



T-81749

ITEM PART NO. QTY. LEX. DESCRIPTION

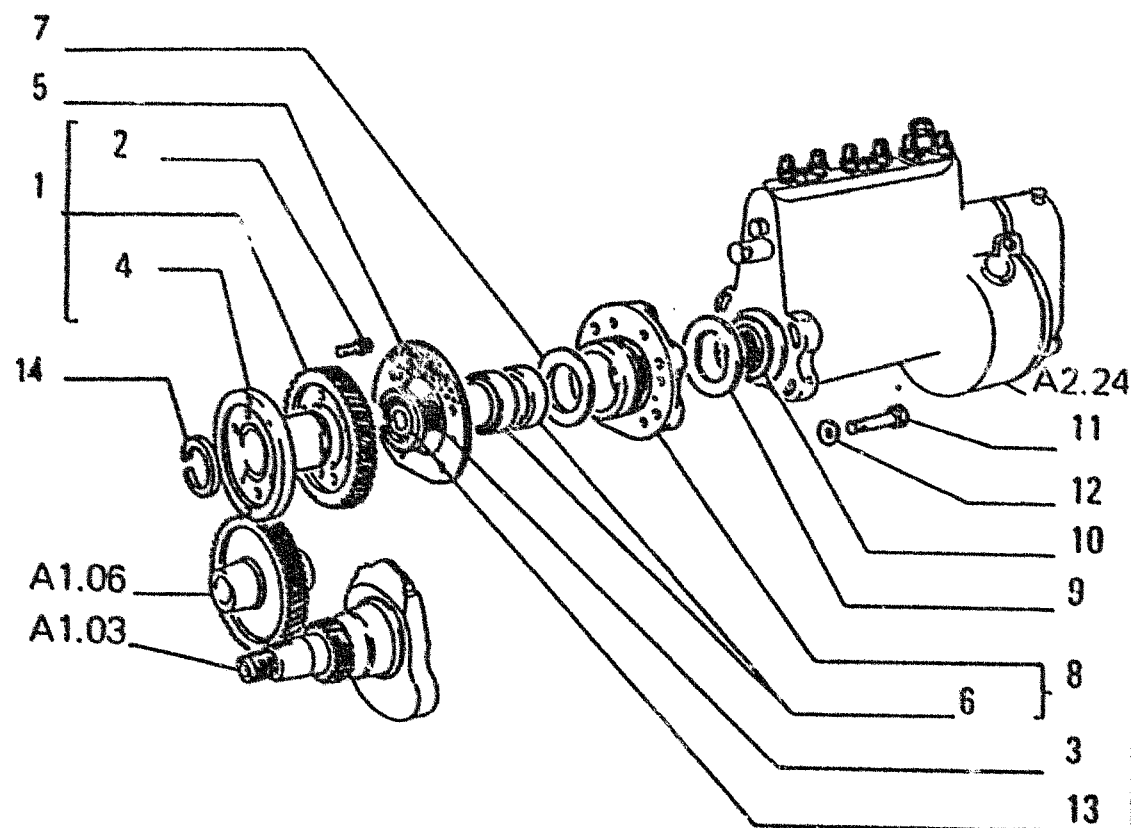
18	04625173	12	20C	CAP
19	14196670	24	22B	LOCK
20	04578175	12	60S	CUP
			600C	UPPER
21	04780108	12	100M	SPRING
	OR			
	04812347	12	100M	SPRING
22	04599398	1	23R	PLATE, THRUST
	16043421	2	40V	CAPSCREW, M8X1.25X20MM
	11193871	2	132R	LOCKWASHER
23	04772705	1	17A	CAMSHAFT
			602A	PRIOR TO ENGINE S/N 349617
	04824221	1	17A	CAMSHAFT
			602B	ENGINE S/N 349617-UP
24	04603448	1	95B	BUSHING
			600G	FRONT
25	04603449	1	95B	BUSHING
			601B	INTERMEDIATE
			600G	FRONT
26	04603450	1	95B	BUSHING
			601B	INTERMEDIATE
			600H	REAR
27	04603451	1	95B	BUSHING
			600H	REAR
28	04784885	6	74S	SEAT, VALVE
	04784886	6	74S	SEAT, VALVE (+0.2)
	04784887	6	74S	SEAT, VALVE (+0.5)
29	-----	1	53I	GEAR, IDLE (A106)
30	-----	1	60L	KEY (A106)

FR11B

VALVE OPERATING MECHANISM

A107

REVISED OCTOBER 1990



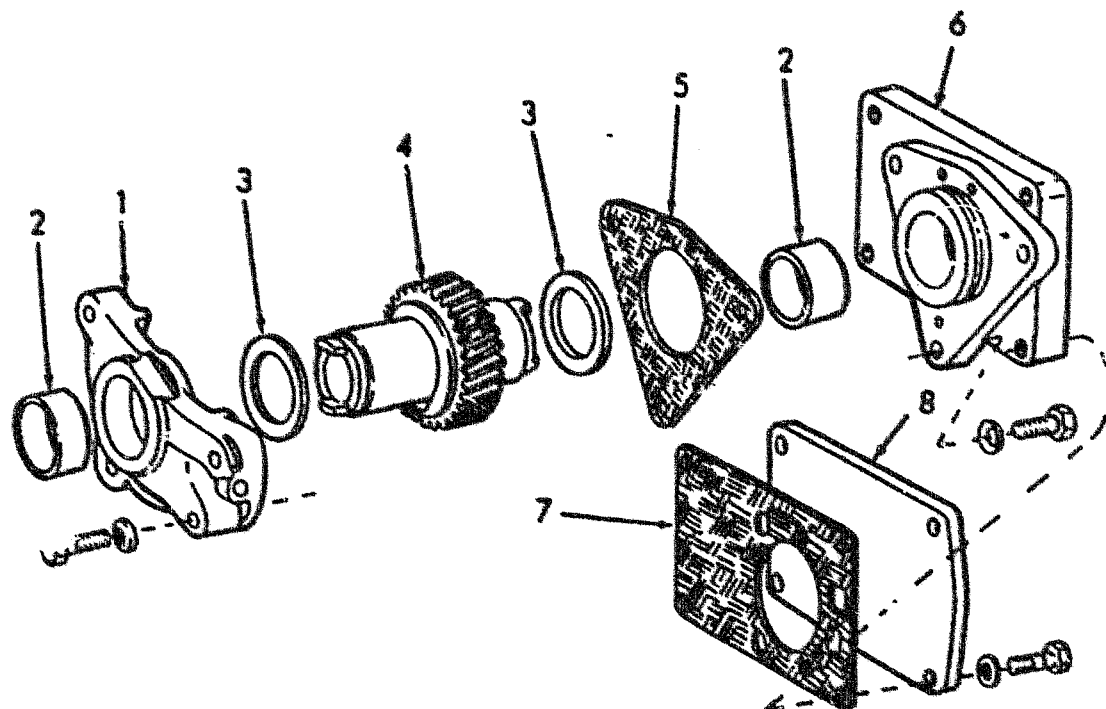
ITEM	PART NO.	QTY.	CODE	DESCRIPTION	DENOMINAZIONE
1	04785076	1	50I	GEAR	INGRANAGGIO
2	04798845	8	40V	CAPSCREW	VITE
3	04769712	1	67G	COUPLING	GIUNTO
4	04785077	1	55C	SLEEVE	CANNOTTO
5	04769429	1	133R	SEAL	GUARNIZIONE TENUTA
6	04769427	2	95B	BUSHING	BOCCOLA
7	04604833	1	131R	WASHER	ROSETTA
				602A PRIOR TO ENGINE #189469	
	04809425	1	131R	WASHER	ROSETTA
				802B ENGINE NO.189469 - UP	
8	04769424	1	300S	SUPPORT	SUPPORTO
9	04667498	1	131R	WASHER	ROSETTA
10	13421376	1	51A	LOCKRING	ANELLO DI SICUREZZA
11	16043621	6	40V	CAPSCREW, 8 X 1.25 X 25	VITE
12	10519601	6	132R	LOCKWASHER	ROSETTA DI SICUREZZA
13	04770452	1	51A	LOCKRING	ANELLO DI SICUREZZA
14	04708213	1	51A	LOCKRING	ANELLO DI SICUREZZA

FR11

INJECTION PUMP DRIVE
 COMANDO POMPA INIEZIONE
 ENTRAINEMENT DE LA POMPE A INJECTION
 EINSPRITZPUMPENANTRIEB
 MANDO DE LA BOMBA DE INYECCION

A116

REVISED OCTOBER 1990



T-81759

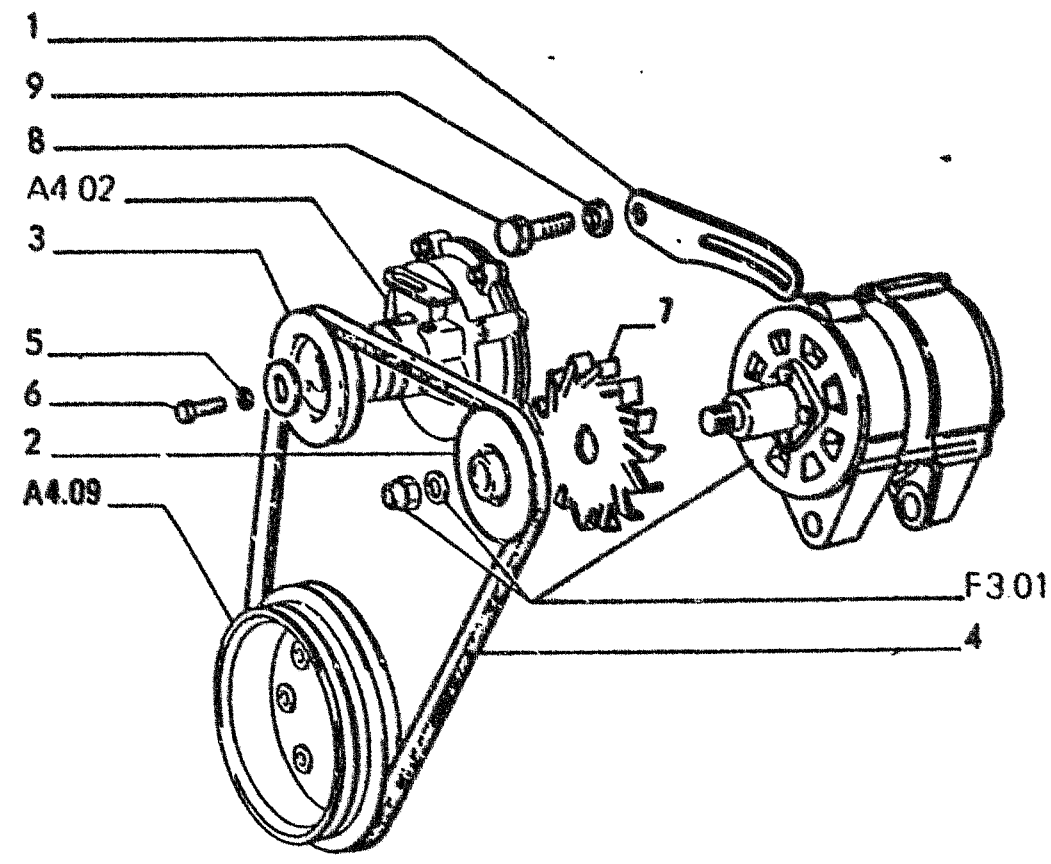
ITEM	PART NO.	QTY.	CODE	DESCRIPTION	DENOMINAZIONE
1	04771242	1	300S	SUPPORT	SUPPORTO
			600L	INCLUDES ITEM(S)2	INCLUDE PARTIC.(1)
	14327101	1	50T	PLUG, 7MM	TAPPO
	16043921	3	40V	CAPSCREW, M6 X 1.25 X 35MM	VITE
	11193871	3	131R	WASHER	ROSETTA
2	04788096	2	95B	BUSHING	BOCCOLA
3	04667452	2	131R	WASHER	ROSETTA
4	04784432	1	501	GEAR	INGRANAGGIO
5	04619405	1	123G	GASKET	GUARNIZIONE DI TENUTA
6	04788084	1	300S	SUPPORT	SUPPORTO
			600L	INCLUDES ITEM(S)2	INCLUDE PARTIC.(1)
	16044521	1	40V	CAPSCREW, M6 X 1.25 X 15MM	VITE
	16043821	2	40V	CAPSCREW, M6 X 1.25 X 30MM	VITE
	11198071	3	131R	WASHER, M8	ROSETTA
7	04607590	1	123G	GASKET (PAGE 9)	GUARNIZIONE DI TENUTA
8	00564530	1	265C	COVER	COPERCHIO
	10902321	4	40V	CAPSCREW, M6 X 1 X 18MM	VITE
	11197771	4	131R	WASHER, M6	ROSETTA

FR11

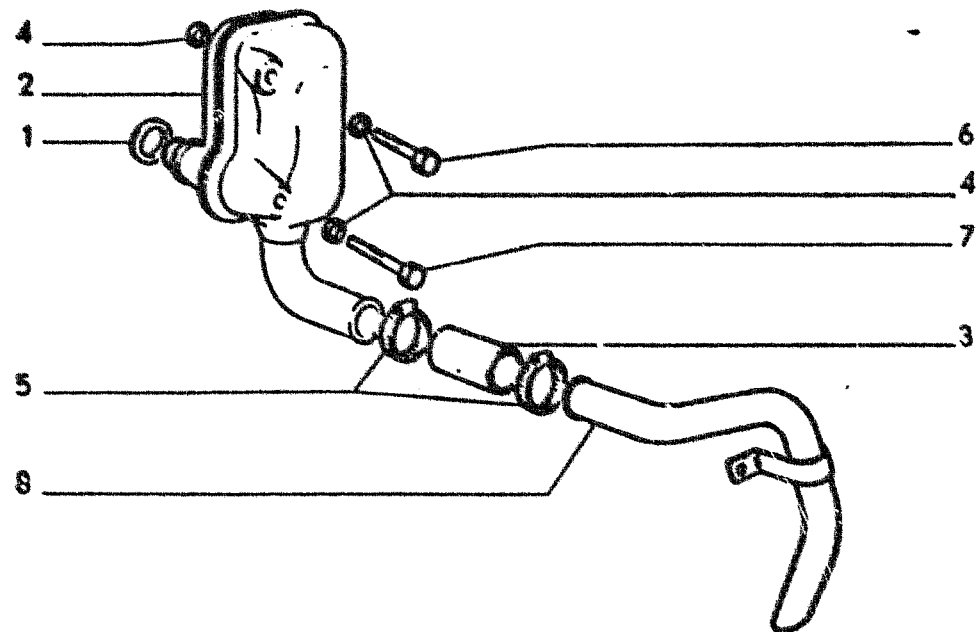
INJECTION PUMP DRIVE
 COMANDO POMPA INIEZIONE
 ENTRAINEMENT DE LA POMPE A INJECTION
 EINSPRITZPUMPENANTRIEB
 MANDO DE LA BOMBA DE INYECCION

A116/1

ITEM	PART NO.	QTY.	CODE	DESCRIPTION	DENOMINAZIONE
1	04806133	1	87T	BELT STRETCHER	TENDICINGHIA
2	04774408	1	230P	PULLEY	PULEGGIA
3	04754860	1	230P	PULLEY(A403)	PULEGGIA
4	04806010	1	173C	BELT	CINGHIA
5	11193871	3	132R	LOCKWASHER	ROSETTA DI SICUREZZA
6	16043524	3	40V	CAPSCREW	VITE
7	04717026	1	36V	BLOWER	VENTOLA
8	15970724	1	40V	CAPSCREW, 10 X 1.25 X 25	VITE
9	11190579	1	132R	LOCKWASHER	ROSETTA DI SICUREZZA



FR11	ALTERNATOR DRIVE COMANDO ALTERNATO COMMANDE D'ALTERNATEUR DREHSTROMLICHTMASCHINENANTRIEB ARRASTRE DEL ALTERNADOR	A119



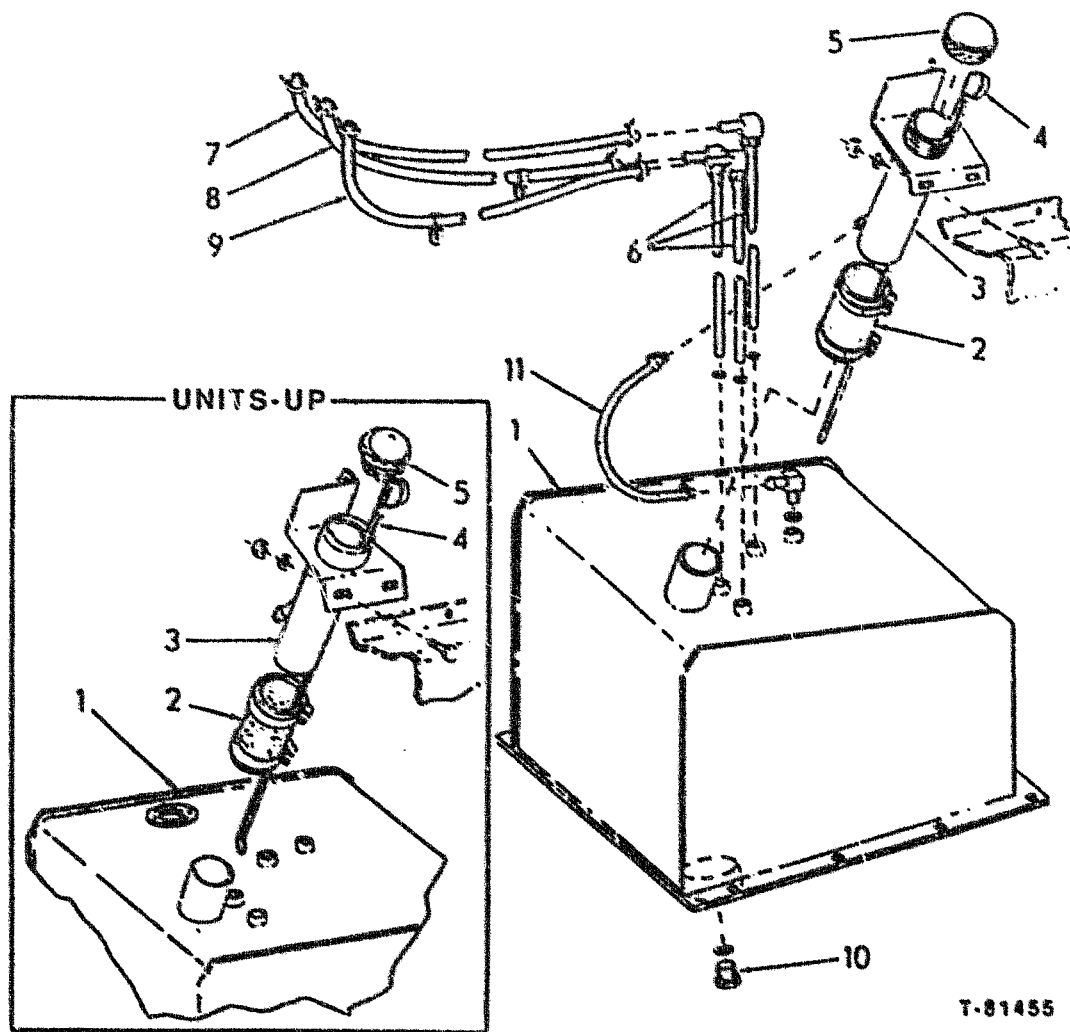
ITEM	PART NO.	QTY.	CODE	DESCRIPTION	DENOMINAZIONE
1	04600893	1	133R	SEAL (SEE PAGE 9/6)	GUARNIZIONE TENUTA
2	04769877	1	165R	BREAKER	RUTTORE
3	04725351	1	59C	SLEEVE	CANNOTTO
4	10260060	3	131R	WASHER	ROSETTA
5	12174090	2	180C	COLLAR	COLLARE
6	16044921	1	40V	CAPSCREW, 8 X 1.25 X 85	VITE
7	16045621	1	40V	CAPSCREW, 8 X 1.25 X 120	VITE
8	04724740	1	206T	TUBE	TUBO

FR11

ENGINE BREATHER
 MOTORE-SFIATO
 RENIFLARD DU MOTEUR
 MOTORLUFTER
 RESPIRADERO DEL MOTOR

A125

Revised August 1988



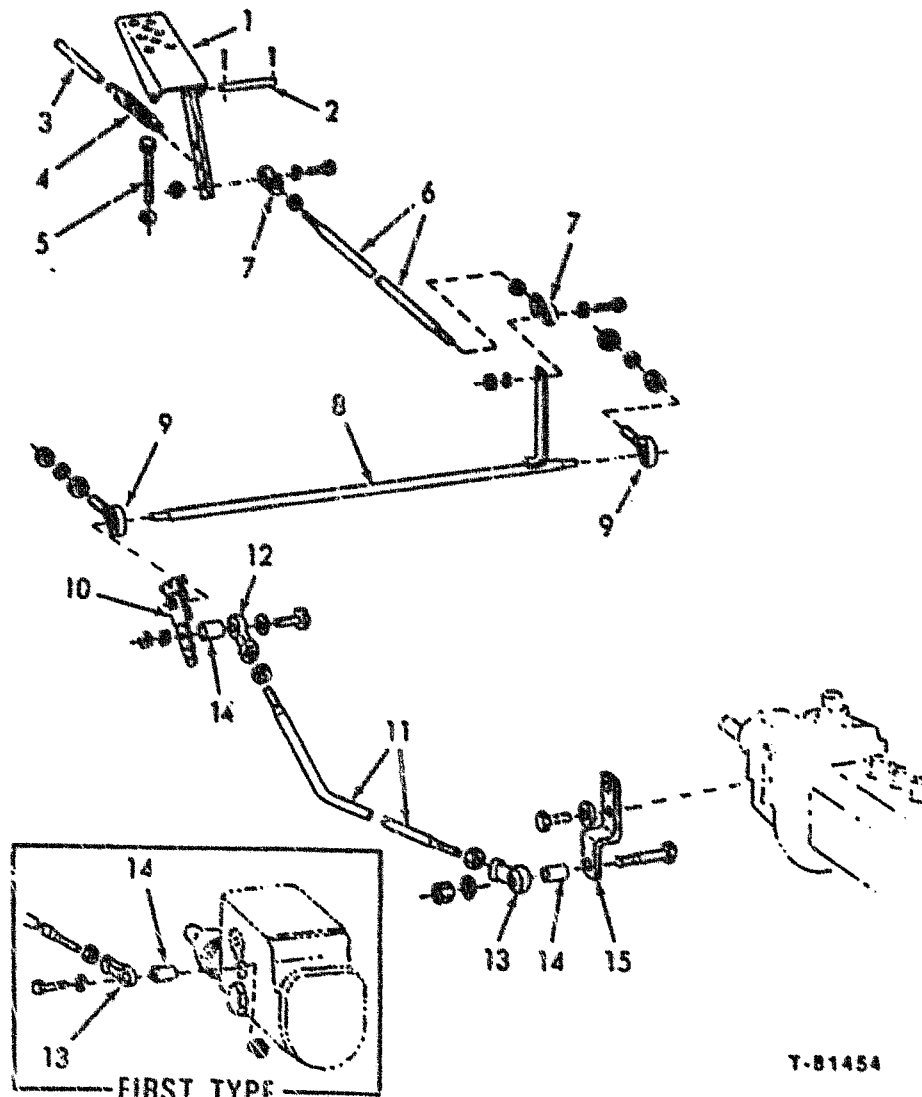
ITEM	PART NO.	QTY.	LEX.	DESCRIPTION
1	76007321	1	115S	TANK
			601L	FIRST TYPE
	76012456	1	115S	TANK
			601M	SECOND TYPE
	70920585	8	40V	CAPSCREW, 1/2"NC X 1-1/4"
	70677008	8	131R	WASHER
2	70664853	1	192T	HOSE
	79083849	2	120M	CLAMP
3	76007916	1	200T	TUBE, FILLER (THREADED)
			601L	FIRST TYPE
	76013204	1	200T	TUBE, FILLER
			601M	SECOND TYPE
	70922763	2	40V	CAPSCREW, 3/8"NC X 1"
	70929156	4	131R	WASHER, 3/8"
	70933623	2	10D	NUT, 3/8"NC
4	73140271	1	91A	DIPSTICK
			600X	PRIOR TO UNIT NO. 530191
	76013206	1	91A	DIPSTICK
			600Y	UNIT NO. 530191 AND UP
5	00340772	1	54T	CAP, FILLER (THREADED)
			600L	FIRST TYPE
	76013210	1	54T	CAP, FILLER
			601M	SECOND TYPE
6	73069062	3	206T	TUBE
			600K	INCLUDES O-RING
	70921349	3	55A	O-RING
7	73069124	1	192T	HOSE (28")
	79084753	2	120M	CLAMP
8	73070593	1	192T	HOSE (40")
	79084753	2	120M	CLAMP
9	73069123	1	192T	HOSE (22-1/2")
	79084753	2	120M	CLAMP
10	70921216	1	56T	PLUG, DRAIN
			600K	INCLUDES O-RING
	70921214	1	55A	O-RING
11	73138439	1	192T	HOSE
	70928888	1	85G	ELBOW
	70921206	1	55A	O-RING
	79083842	2	120M	CLAMP

FR11

FUEL TANK & LINES

A201

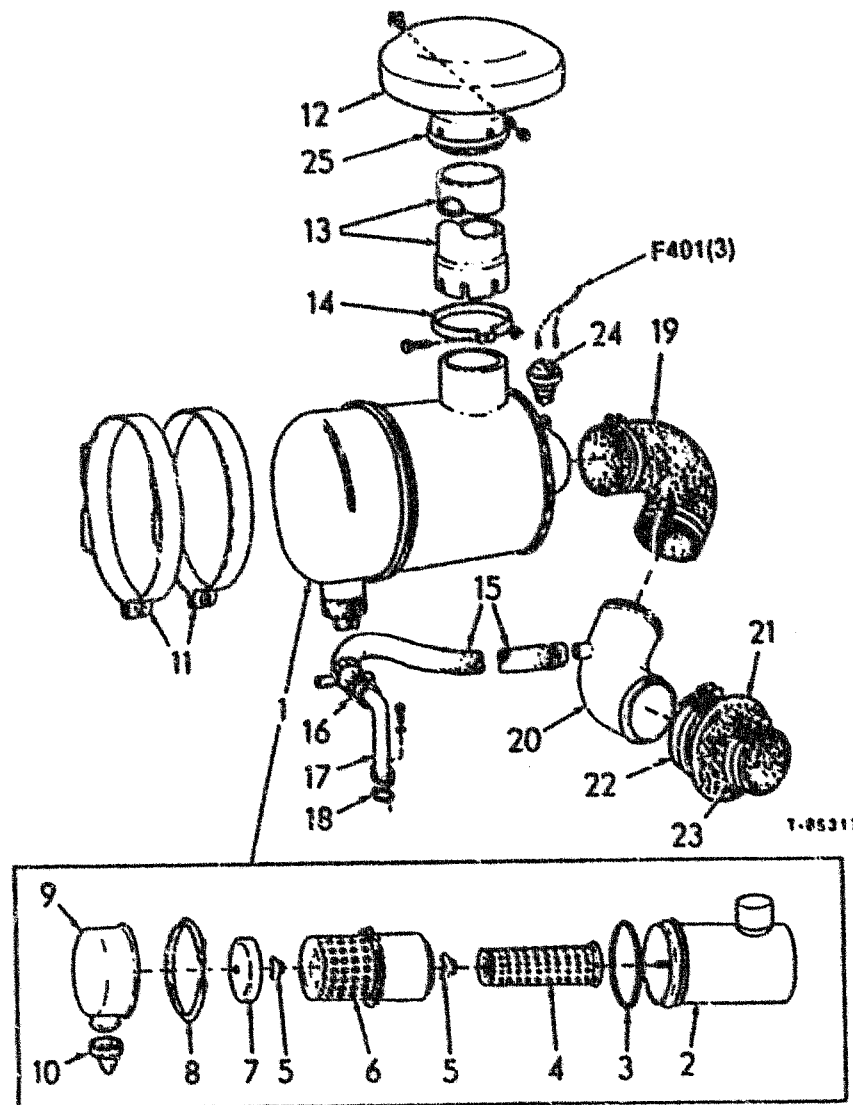
REVISED NOVEMBER 1990



T-81454

ITEM	PART NO.	QTY.	CODE	DESCRIPTION	DENOMINAZIONE
1	72056433	1	60P	PEDAL	PEDALE
2	73021696	1	80P	PIN	PERNO
	70904001	2	270C	PIN, SPLIT 3/32" X 1/2"	COPIGLIA
3	73021657	1	11A	SHAFT, SMALL	ALBERINO
4	73014226	1	100H	SPRING	MOLLA
5	70929883	1	40V	CAPSCREW, 3/8"NC X 2"	VITE
	70913709	1	40V	CAPSCREW, 3/8"NCX3"	VITE
	70933623	1	10D	NUT, 3/8"NC	DADO
6	73075720	1	95A	ROD, THREADED	ASTA FILETTATA
7	73070190	2	61E	END	ESTREMITA
	70910267	2	10D	NUT, 1/4"NF	DADO
	70921382	2	40V	CAPSCREW, 1/4"NCX1-1/4"	VITE
	70928190	4	131R	WASHER, 1/4"	ROSETTA
	70920329	2	257C	LOCKNUT, 1/4"NC	CONTRODADO
8	73073712	1	43L	LEVER	LEVA
9	73014549	2	61E	END	ESTREMITA
	70910876	4	10D	NUT, 7/16"NF	DADO
10	74393286	1	43L	LEVER	LEVA
11	73073708	1	95A	ROD, THREADED	ASTA FILETTATA
12	73070190	1	61E	END	ESTREMITA
	70906916	1	10D	NUT, 1/4"NF	DADO
	10903821	1	40V	CAPSCREW, M6 X 55	VITE
	70928190	2	131R	WASHER, 1/4"	ROSETTA
	12574221	1	257C	LOCKNUT, M6	CONTRODADO
13	73070190	1	61E	END	ESTREMITA
	70906916	1	10D	NUT, 1/4"NF	DADO
	10903630	1	40V	CAPSCREW, M6 X 1 X 50MM	VITE
	70928190	1	131R	WASHER, 1/4"	ROSETTA
	12574221	1	257C	LOCKNUT, M6	CONTRODADO
14	73073709	2	75D	SPACER	DISTANZIALE
15	73072700	1	80H	BRACKET	MENSOLA
	10902131	2	40V	CAPSCREW, M6 X 1 X 14MM	VITE
	10571571	2	131R	WASHER	ROSETTA

FR11	ENGINE CONTROLS COMANDI MOTORE COMMANDES DU MOTEUR MOTORSTEUERNEDEL MANDOS DEL MOTOR	A221	1
		REVISED OCTOBER 1990	



ITEM	PART NO.	QTY.	LEX.	DESCRIPTION
1	73053289	1	66F	AIR CLEANER
	OR		600L	INCLUDES ITEM(S) 2-10
	79084917	1	66F	AIR CLEANER, A222/1
2	-----	1	300C	BODY
			600M	ORDER ITEM(S) 1
3	70248860	1	55A	O-RING
4	70662608	1	501Y	FILTER ELEMENT WASH
5	70664343	2	10D	NUT
6	70684732	1	501Y	FILTER ELEMENT WASH
7	70646860	1	101S	BAFFLE
8	70648087	1	120M	CLAMP
			600N	SERVICED AS A UNIT
9	73050554	1	60S	CUP ASSY.
10	70197810	1	10V	VALVE
11	76019749	2	80M	BRACKET
			600R	INCL. HARDWARE
	16043831	2	42V	SCREW, M8X30
	16100831	2	10D	NUT, M8
	70921076	4	40V	CAPSCREW, 3/8"NCX1-1/4"
	70677006	4	131R	WASHER, 3/8"
	70933623	4	10D	NUT, 3/8"NC
12	76008407	1	20C	CAP
			600R	INCL. HARDWARE
13	73044163	1	206T	TUBE
14	76006239	1	120M	CLAMP
			600X	PRIOR TO UNIT NO. 530226
	12104290	1	120M	CLAMP
			600Y	UNIT #530226 AND UP
			600R	INCL. HARDWARE

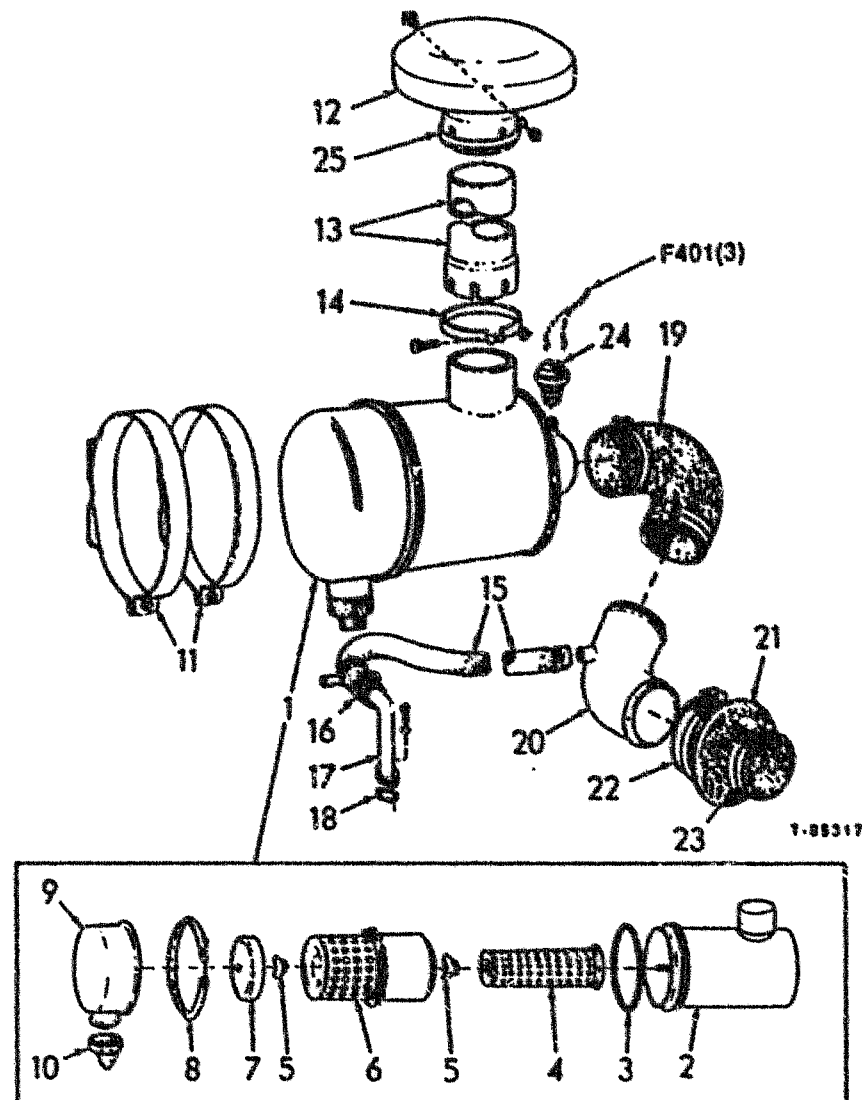
FR11

AIR CLEANER ASSEMBLY

A222

2

REVISED NOVEMBER 1990



ITEM PART NO. QTY. LEX. DESCRIPTION

15	73074255	1	87S	INDICATOR
16	12177090	2	120M	CLAMP
			600X	PRIOR TO UNIT NO. 530226
	79083845	2	120M	CLAMP
			600Y	UNIT NO. 530226 AND UP
17	76012057	1	206T	TUBE
	14306430	2	40V	CAPSCREW, M8X1.25X25MM
	70930499	2	131R	WASHER
18	73077437	1	133R	SEAL
19	73069114	1	85G	ELBOW
	12184290	2	120M	CLAMP
			600X	PRIOR TO UNIT NO. 530226
	12174590	1	120M	CLAMP
			600Y	UNIT #530226 AND UP
20	76010334	1	85G	ELBOW
21	73126114	1	192T	HOSE
22	12184290	1	120M	CLAMP 4-1/4" TO 4-9/16"
			600X	PRIOR TO UNIT NO. 530226
	12174590	2	120M	CLAMP
			600Y	UNIT #530226 AND UP
23	12183590	1	120M	CLAMP 2-15/16" TO 3 1/4"
			600X	PRIOR TO UNIT NO. 530226
	79083849	1	120M	CLAMP
			600Y	UNIT NO. 530226 AND UP
24	79066478	1	160T	SENDING UNIT
25	79083852	1	120M	CLAMP

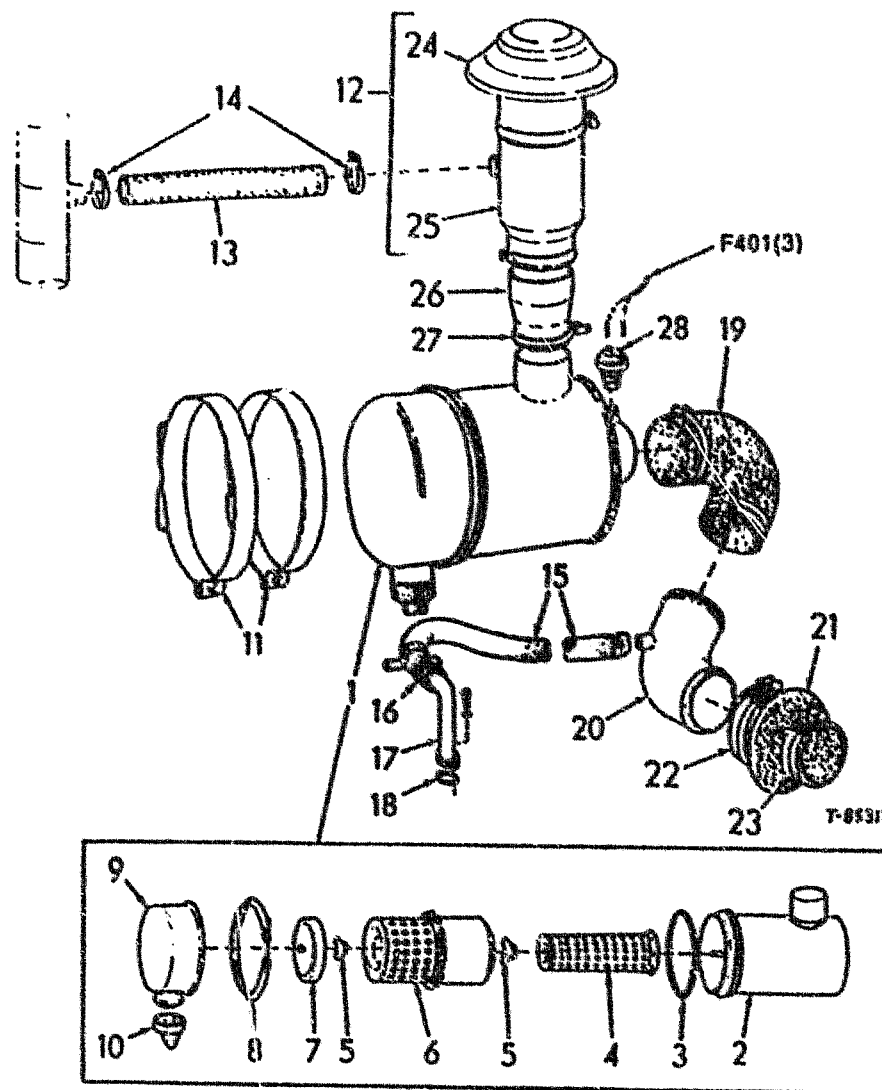
FR11

AIR CLEANER ASSEMBLY

A222

2

REVISED NOVEMBER 1990



ITEM PART NO. QTY. LEX. DESCRIPTION

1	73053289	1	66F	AIR CLEANER
	OR		600L	INCLUDES ITEM(S) 2-10
	79084917	1	66F	AIR CLEANER, A222/1
2	-----	1	300C	BODY
			600M	ORDER ITEM 1
3	70248860	1	55A	O-RING
4	70662608	1	20E	FILTER ELEMENT
5	70664343	2	10D	NUT
6	70684732	1	20E	FILTER ELEMENT
7	70646860	1	101S	BAFFLE
8	70649087	1	120M	CLAMP
			600N	SERVICED AS A UNIT
9	73050554	1	60S	CUP ASSY.
10	70197810	1	10V	VALVE
11	73026368	2	80M	BRACKET
			600R	INCL. HARDWARE
	70903764	2	42V	SCREW, 5/16"NC X 1-1/2"
	70910323	2	10D	NUT, 5/16"NC
	70921076	4	40V	CAPSCREW, 3/8"NC X 1-1/4"
	70677006	4	131R	WASHER, 3/8"
	70933623	4	10D	NUT, 3/8"NC
12	73139022	1	201P	PRECLEANER
			600L	INCLUDES ITEM(S) 24, 25
13	73139043	1	192T	HOSE
14	12174090	2	120M	CLAMP
			600X	PRIOR TO UNIT NO. 530226
	79083845	2	120M	CLAMP
			600Y	UNIT NO. 530226 AND UP
15	73074255	1	192T	HOSE
16	12177090	2	120M	CLAMP
			600X	PRIOR TO UNIT NO. 530226
	79083845	1	120M	CLAMP
			600Y	UNIT NO. 530226 AND UP
17	76012057	1	206T	TUBE
	14306430	2	40V	CAPSCREW, M8 X 1.25 X 25MM
	70930499	2	131R	WASHER
18	73077437	1	133R	SEAL

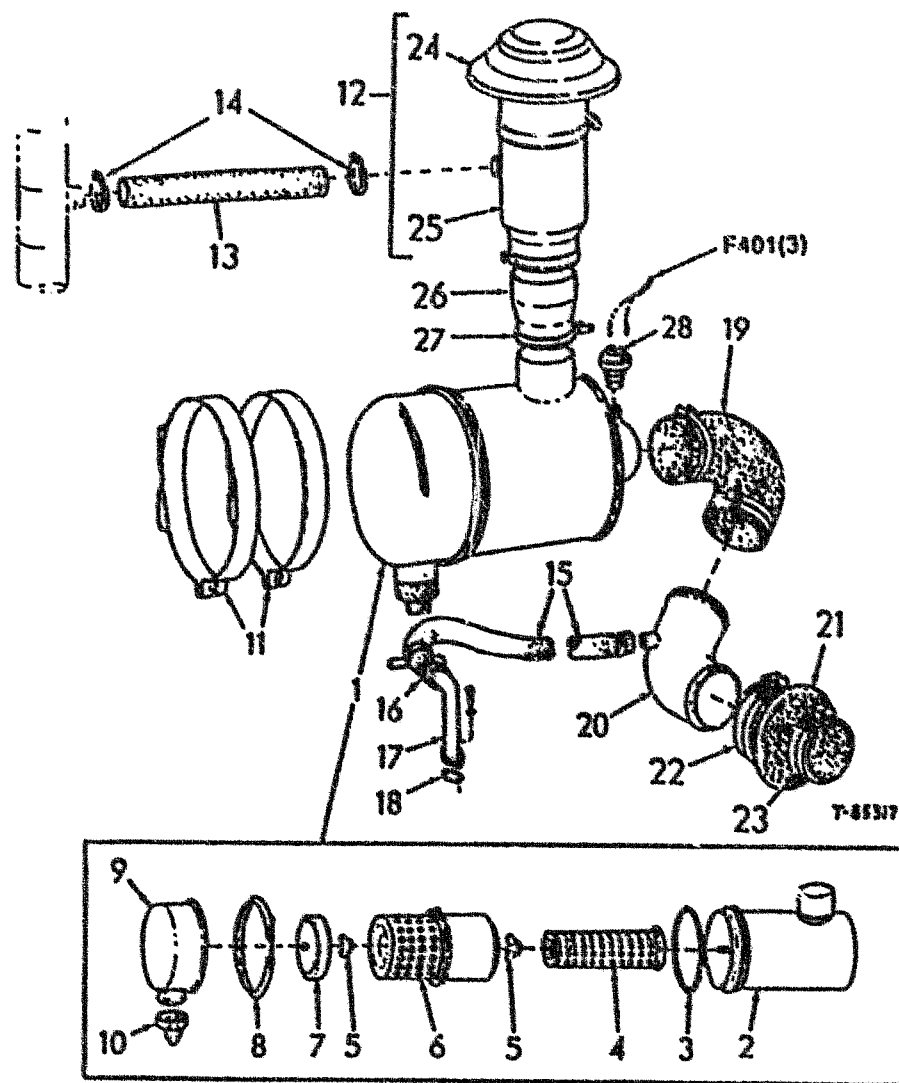
FR11

AIR CLEANER ASSEMBLY

A222

3

REVISED NOVEMBER 1990



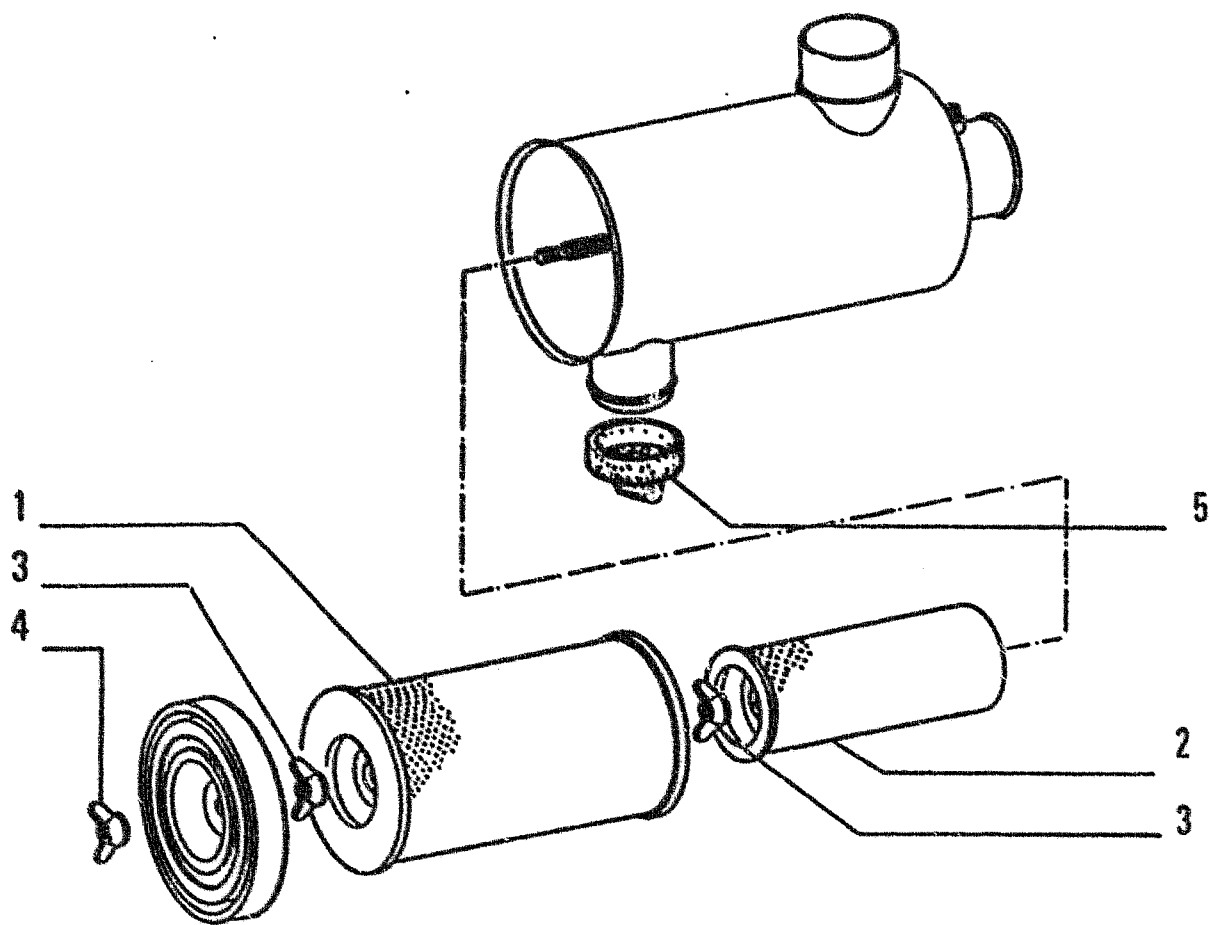
ITEM	PART NO.	QTY.	CODE	DESCRIPTION	DENOMINAZIONE
19	73069114	1	85G	ELBOW	GOMITO
	12184290	2	120M	CLAMP	MORSETTO COLLARE
		600X		PRIOR TO UNIT NO. 530226	FINO AL TELAIO.....
					MORSETTO COLLARE
					DAL TELAIO.....
	79083853	2	120M	CLAMP	MORSETTO COLLARE
		600Y		UNIT NO. 530226 AND UP	DAL TELAIO.....
20	76010334	1	85G	ELBOW	GOMITO
21	73126114	1	192T	HOSE	TUBO FLESSIBILE
22	12184290	1	120M	CLAMP	MORSETTO COLLARE
				4-1/4" TO 4-9/16"	
		600X		PRIOR TO UNIT NO. 530226	FINO AL TELAIO.....
					MORSETTO COLLARE
					DAL TELAIO.....
	79083853	2	120M	CLAMP	MORSETTO COLLARE
		600Y		UNIT NO. 530226 AND UP	DAL TELAIO.....
23	12183590	1	120M	CLAMP	MORSETTO COLLARE
				2-15/16" TO 3-1/4"	
		600X		PRIOR TO UNIT NO. 530226	FINO AL TELAIO.....
					MORSETTO COLLARE
					DAL TELAIO.....
24	73139695	1	20C	CAP	CALOTTA
25	73140148	1	300C	BODY	CORPO
26	73139020	1	206T	TUBE	TUBO
27	76002078	1	120M	CLAMP	MORSETTO COLLARE
	11112231	1	40V	CAPSCREW,	VITE
				M12 X 1.75 X 25MM	
	10517071	1	131R	WASHER	ROSETTA
	11702921	1	10D	NUT, M12	DADO
28	79066478	1	160T	SENDING UNIT	TRASMETTITORE

USAGE: SPECIAL EQUIPMENT FOR UNITS EQUIPPED WITH ASPIRATOR; USO: PER UNITA CON ASPIRATORE;
 USAGE: EQUIPEMENT SPECIAL POUR ENGINES D'UN ASPIRATEUR; VERWENDUNG: SONDERAUSRUSTUNG FUR
 MASCHINEN MIT SAUGER; USO: EQUIPO ESPECIAL PARA MAQUINAS CON ASPIRADOR

FR11	AIR CLEANER ASSEMBLY FILTRO ARIA FILTRE A AIR LUFTFILTER FILTRO DE AIRE	A222	3
		REVISED OCTOBER 1990	

ITEM PART NO. QTY. LEX. DESCRIPTION

-	79084917	1	66F	AIR CLEANER
			600L	INCL. ITEMS 1-5
1	79085656	1	20E	FILTERING ELEMENT
2	79085657	1	20E	FILTERING ELEMENT
3	79081329	2	10E	ECCENTRIC
4	79085085	1	10D	NUT
5	79081330	1	112V	EXHAUST VALVE

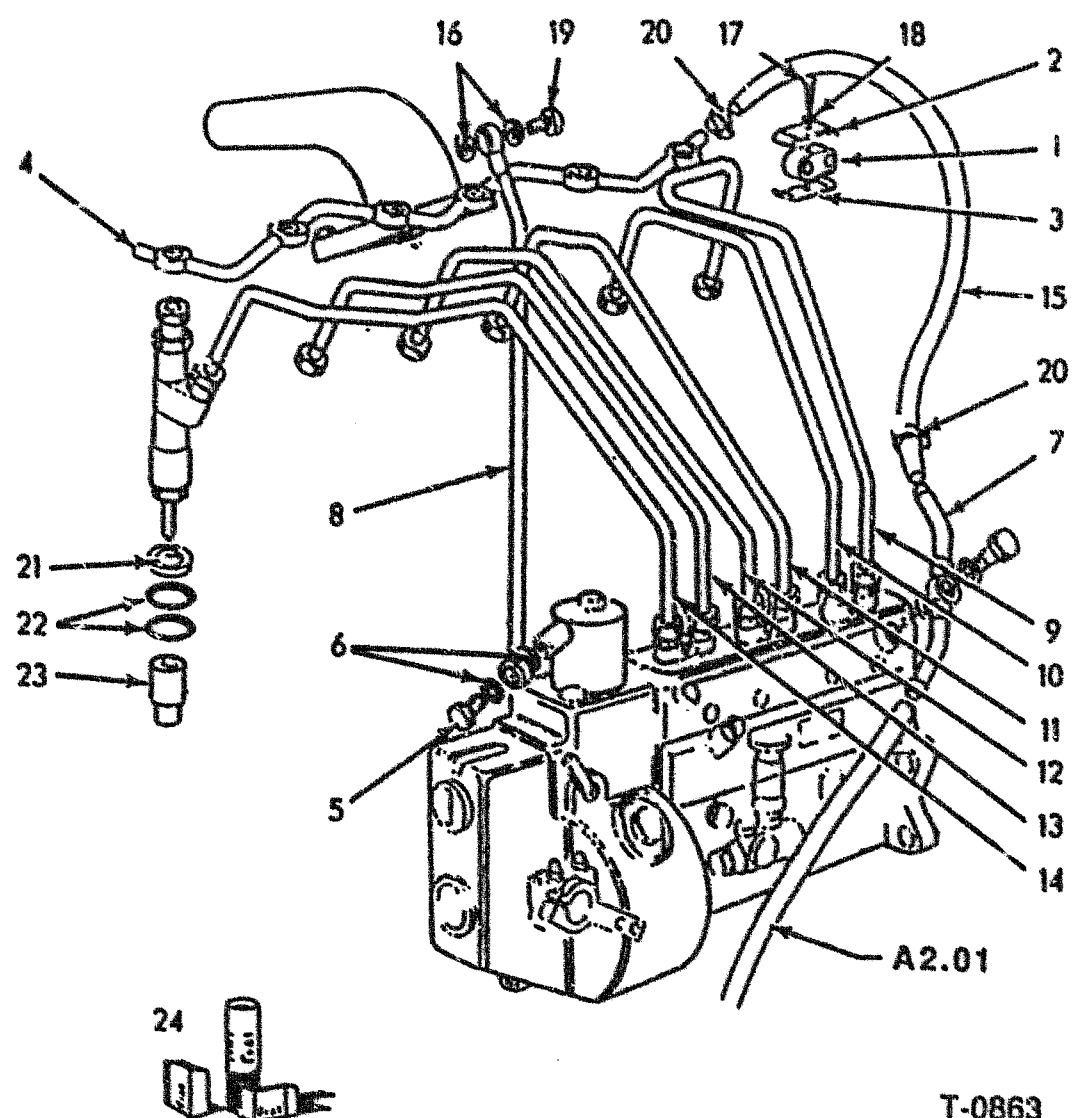


FR11

AIR CLEANER

A222/1

ADDED OCTOBER 1990



ITEM	PART NO.	QTY.	CODE	DESCRIPTION	DEGNOMIAZIONE
1	04777185	3	78 ^M	BLOCK, FASTENING (SEE PAGE 9/3)	BLOCCHETTO FISSAGGIO
2	04777183	3	75B	CONNECTOR(SEE PAGE 9/3)	BLOCCHETTO CONNESSIONE
3	04777184	3	75B	CONNECTOR(SEE PAGE 9/3)	BLOCCHETTO CONNESSIONE
4	04776650	1	206T	TUBE	TUBO
5	10181717	1	50T	PLUG	TAPPO
6	10296160	2	133R	SEAL	GUARNIZIONE TENUTA
7	04739148	1	206T	TUBE	TUBO
8	04795596	1	206T	TUBE	TUBO
9	04792661	1	206T	TUBE(No.1)(SEE PAGE 9/3)	TUBO
10	04792662	1	206T	TUBE(No.2)(SEE PAGE 9/3)	TUBO
11	04792663	1	206T	TUBE(No.3)(SEE PAGE 9/3)	TUBO
12	04792664	1	206T	TUBE(No.4)(SEE PAGE 9/3)	TUBO
13	04792665	1	206T	TUBE(No.5)(SEE PAGE 9/3)	TUBO
14	04792666	1	206T	TUBE(No.6)(SEE PAGE 9/3)	TUBO
15	04774806	1	192T	HOSE	TUBO FLESSIBILE
			602A	PRIOR TO ENG. S/N 082942	
	19053182	1	192T	HOSE	TUBO FLESSIBILE
			602B	ENGINE S/N 082942 & UP	
16	10260160	2	133R	SEAL	GUARNIZIONE TENUTA
17	10902021	3	40V	CAPSCREW, 6 X 1 X 12 (SEE PAGE 9/3)	VITE
18	15896221	3	10D	NUT	DADO
19	11903811	1	50T	PLUG, FILLER	TAPPO
20	12179490	2	180C	COLLAR	COLLARE
21	14453589	6	133R	SEAL	GUARNIZIONE TENUTA
22	14453981	12	55A	O-RING	ANELLO DI TENUTA
23	04770859	6	102A	CASING, TUBE	ASTUCCIO TUBO
24	04791125	1	129S	KIT(SEE PAGE 9)	SERIE

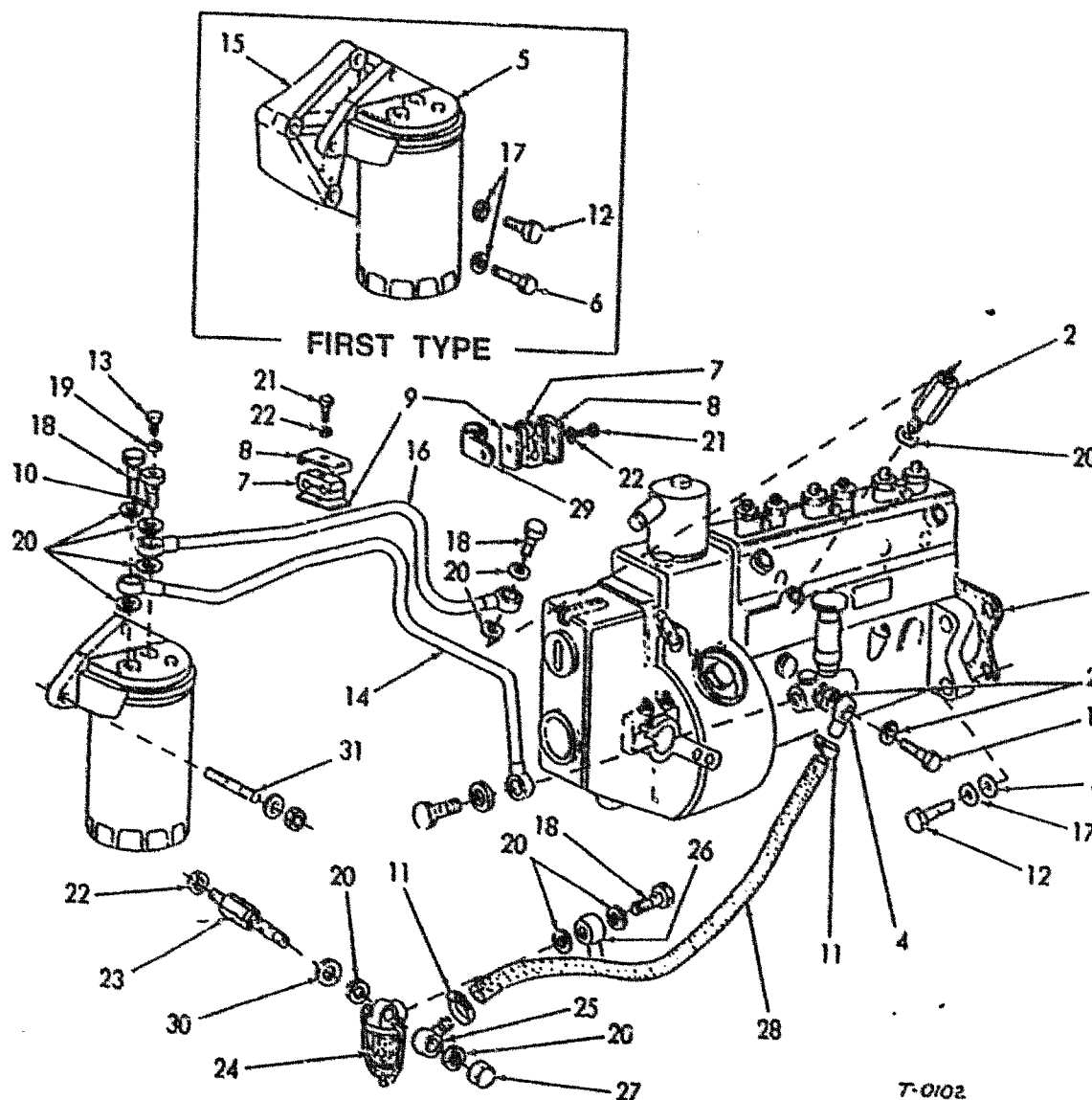
FR11

INJECTION NOZZLES & LINES
 INIETTORE E TUBAZIONI
 INJECTEURS ET CONDUITES
 EINSPRITZDUSEN UND LEITUNGEN
 INYECTORES Y TUBERIA

A224

1

REVISED OCTOBER 1990



T-0102

ITEM	PART NO.	QTY.	CODE	DESCRIPTION	DENGINAZIONE
1	00561353	1	133R	SEAL	GUARNIZIONE TENUTA
2	04775329	1	20R	FITTING	RACCORDO
3	00759850	4	131R	WASHER	ROSETTA
4	04783070	1	20R	FITTING	RACCORDO
5	04618309	1	64F	FILTER, FUEL (A226)	FILTRO COMBUSTIBILE
6	15971521	3	40V	CAPSCREW, 10 X 1.25 X 85	VITE
7	04659217	2	78B	BLOCK, FASTENING	BI OCCHETTO FISSAGGIO
8	04659218	2	75B	CONNECTOR	BLOCCHETTO CONNESSIONE
9	04659219	2	105P	PLATE	PIASTRA
10	10184317	1	50T	PLUG	TAPPO
11	12179490	2	180C	COLLAR	COLLARE
12	11234721	4	40V	CAPSCREW, 10 X 1.25 X 45	VITE
13	10978221	2	40V	CAPSCREW, 5 X 0.8 X 25	VITE
14	04774807	1	206T	TUBE	TUBO
15	04801917	1	206T	TUBE	TUBO
16	04774809	1	206T	TUBE	TUBO
17	11198371	10	132R	LOCKWASHER	ROSETTA DI SICUREZZA
18	10184317	5	50T	PLUG	TAPPO
19	10571471	2	132R	LOCKWASHER	ROSETTA DI SICUREZZA
20	10280060	11	133R	SEAL	GUARNIZIONE TENUTA
21	10978221	2	40V	CAPSCREW, 5 X 0.8 X 25	VITE
22	10571471	2	132R	LOCKWASHER	ROSETTA DI SICUREZZA
23	04623038	1	20R	FITTING	RACCORDO
	04801923	1	20R	FITTING	RACCORDO
		600X		PRIOR TO UNIT NO.082942	FINO AL TELAIO.....
		600Y		UNIT NO.082942 AND UP	DAL TELAIO.....

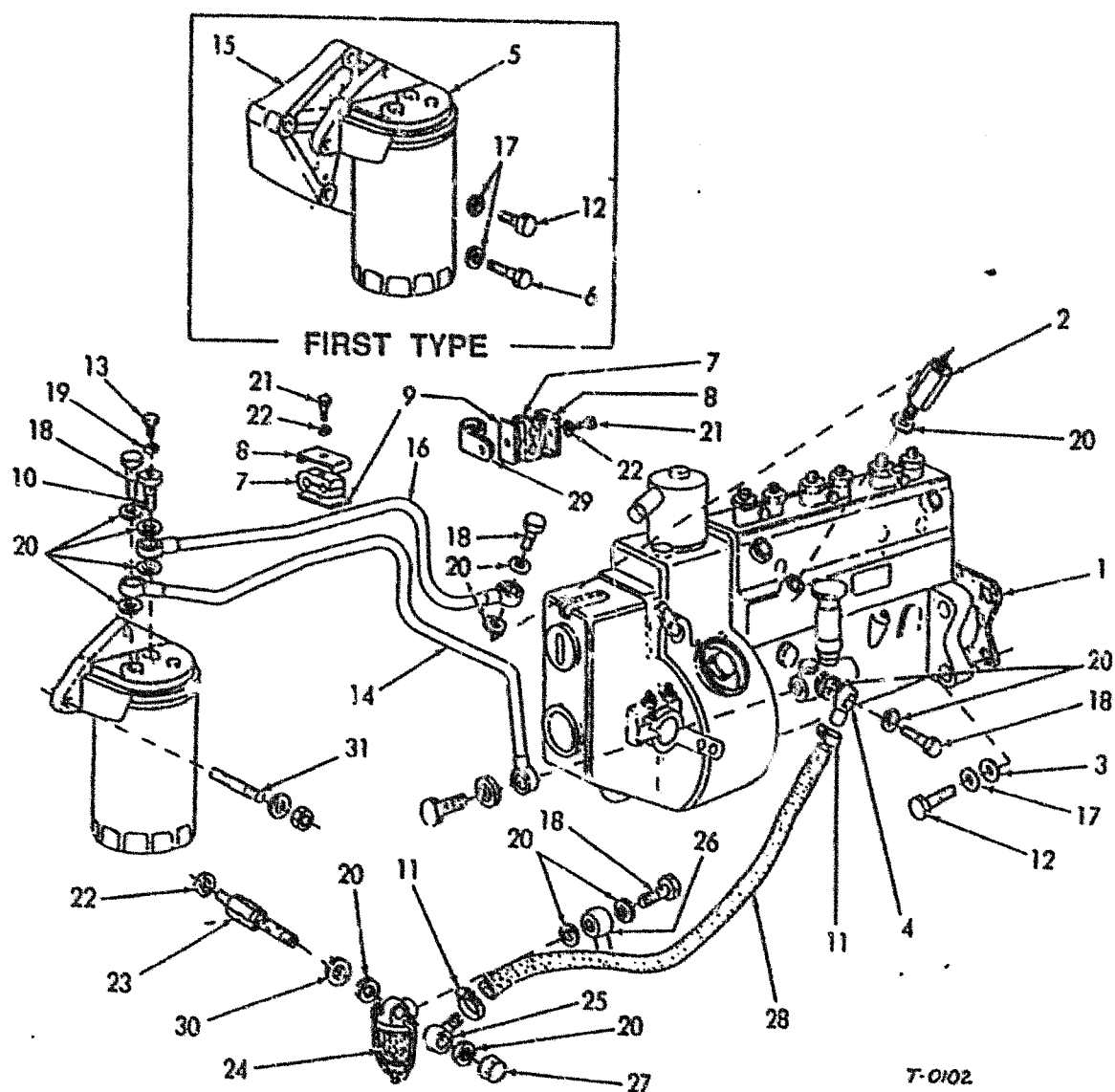
FR11

FUEL FILTER & LINES
 FILTRO COMBUSTIBILE E TUBAZIONI
 FILTRE A CARBURANT ET CANALISATIONS
 KRAFTSTOFFFILTER UND LEITUNGEN
 FILTRO DE COMBUSTIBLE Y TUBOS

A224

2

Revised August 1988



ITEM	PART NO.	QTY.	CODE	DESCRIPTION	DENOMINAZIONE
24	00740314	1	64F	FILTER, FUEL	FILTRO COMBUSTIBILE
			600X	PRIOR TO UNIT NO.082942	FINO AL TELAIO.....
	04776380	1	64F	FILTER, FUEL	FILTRO COMBUSTIBILE
				OR	
	04797320	1	64F	FILTER, FUEL	FILTRO COMBUSTIBILE
			600Y	UNIT NO.082942 AND UP	DAL TELAIO.....
25	04551493	1	20R	FITTING	RACCORDO
26	04741072	1	20R	FITTING	RACCORDO
27	10182817	1	100	NUT	DADO
28	04774811	1	192T	HOSE	TUBO FLESSIBILE
			600X	PRIOR TO UNIT NO.082942	FINO AL TELAIO.....
	19053182	1	192T	HOSE	TUBO FLESSIBILE
			600Y	UNIT NO.082942 AND UP	DAL TELAIO.....
29	10441390	2	89G	CLIP	GRAFFETTA
30	14496607	1	131R	WASHER	ROSETTA
			600Y	UNIT NO.082942 AND UP	DAL TELAIO.....
31	13546621	3	210P	STUD, 10M X 1.25 X 55	PRIGIONIERO
	14496607	3	131R	WASHER	ROSETTA
	12164711	3	100	NUT	DADO
			600Y	UNIT NO.082942 AND UP	DAL TELAIO.....

T-0102

FR11

FUEL FILTER & LINES
 FILTRO COMBUSTIBILE E TUBAZIONI
 FILTRE A CARBURANT ET CANALISATIONS
 KRAFTSTOFFFILTER UND LEITUNGEN
 FILTRO DE COMBUSTIBLE Y TUBOS

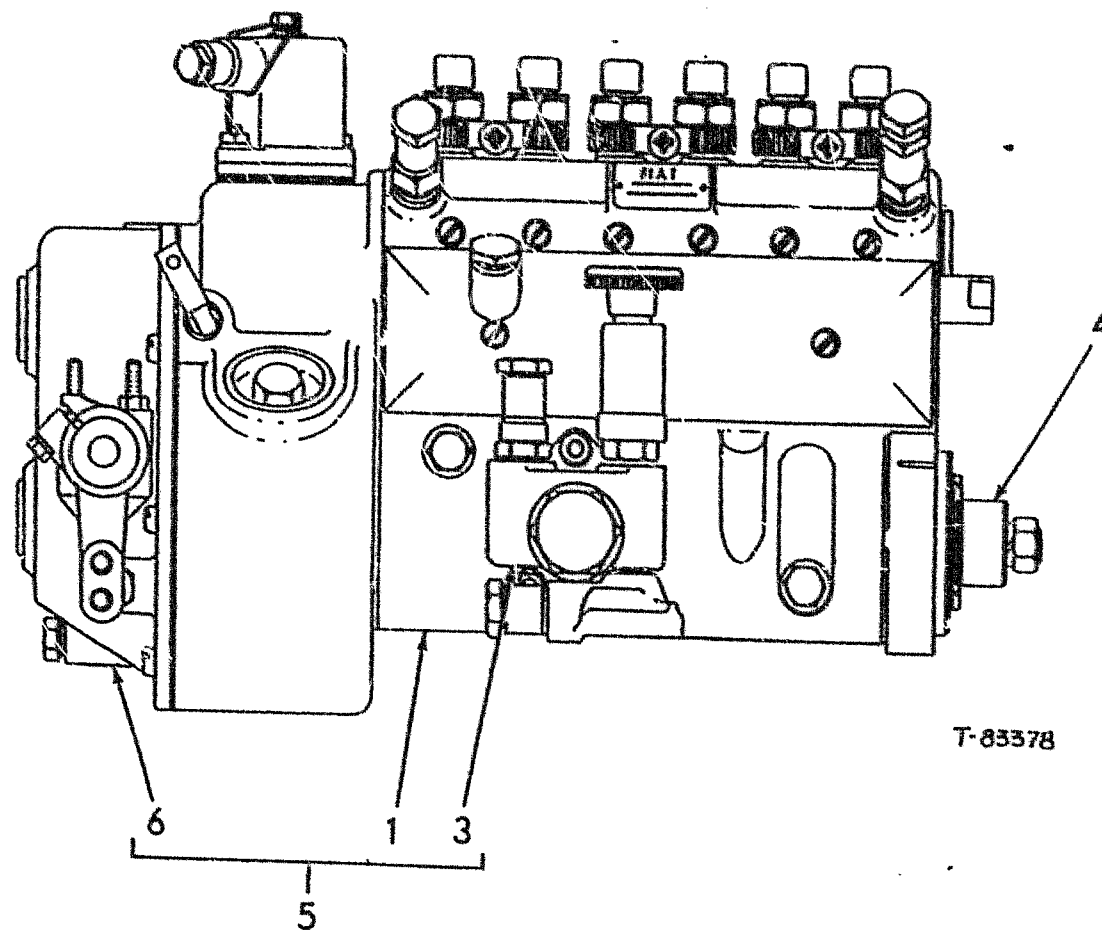
A224

2

Added August 1988

A224(3)

ITEM	PART NO.	QTY.	CODE	DESCRIPTION	DENOMINAZIONE
1	-----	1	158P	PUMP, INJECTION(A227)	POMPA D'INIEZIONE
3	79056370	1	154P	PUMP, FUEL(A225)	POMPA DI ALIMENTAZIONE
4	04799481	1	95B	BUSHING(0G)	BOCCOLA
	04799482	1	95B	BUSHING(+3G)	BOCCOLA
	04799483	1	95B	BUSHING(-3G)	BOCCOLA
5	04801873	1	158P	PUMP, INJECTION	POMPA D'INIEZIONE
6	-----	1	30R	GOVERNOR(A228(1)(2))	REGOLATORE



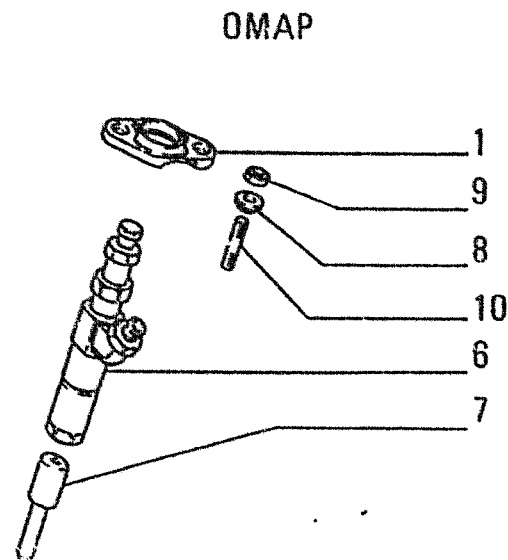
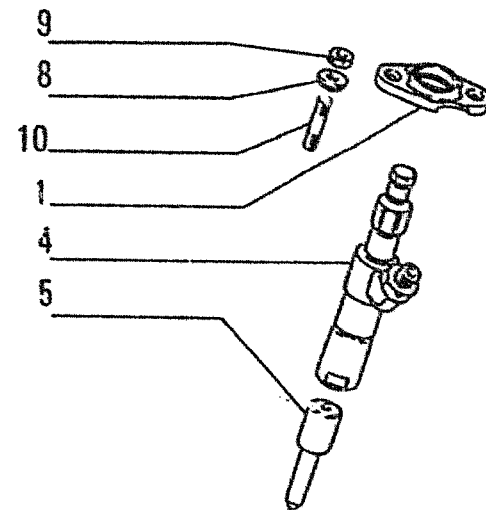
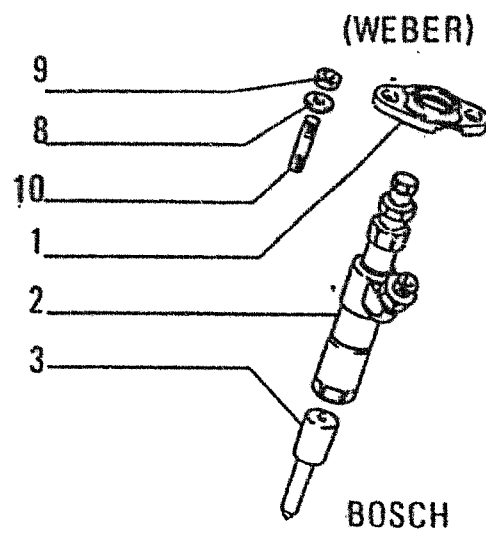
FR11

INJECTION PUMP & MOUNTING
 POMPA D'INIEZIONE E MONTAGGIO
 POMPE D'INJECTION ET SUPPORTS
 EINSPRITZ PUMPE UND EINBAU
 BUMBA DE INYECCION Y SOPORTES

A224

3

Revised August 1988



ITEM	PART NO.	QTY.	CODE	DESCRIPTION	DENOMINAZIONE
1	04780612	6	80M	BRACKET	MENSOLA
2	04802392	6	195P	HOLDER, NOZZLE (A235/4)	PORTAPOLVERIZZATORE
3	04802395	6	148P	NOZZLE	POLVERIZZATORE
4	04791124	6	195P	HOLDER, NOZZLE (A235)	PORTAPOLVERIZZATORE
5	04800030	6	148P	NOZZLE	POLVERIZZATORE
6	79069718	6	195P	HOLDER, NOZZLE (A235/3)	PORTAPOLVERIZZATORE
7	79069733	6	148P	NOZZLE	POLVERIZZATORE
8	00771326	12	131R	WASHER	ROSETTA
9	16100821	12	100	NUT, M8	DADO
10	13517530	12	210P	STUD, M8 X 1.25 X 57	PRIGIONIERO

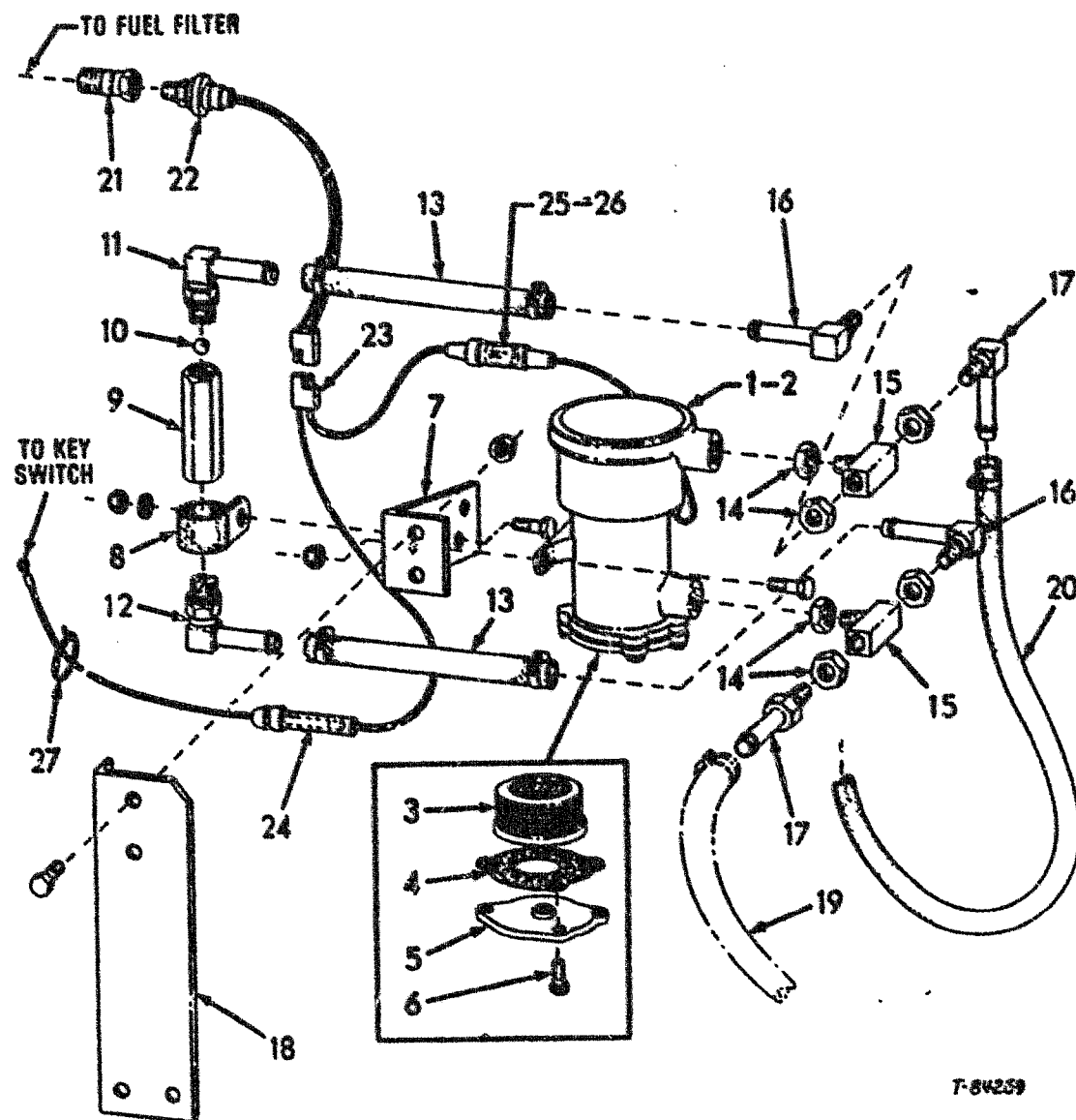
FR:1

FUEL INJECTION SYSTEM
 ALIMENTAZIONE AD INIEZIONE
 ALIMENTATION PAR INJECTION
 EINSPRITZAUSRUESTUNG
 ALIMENTACION POR INJECCION

A224

4

Revised August 1988

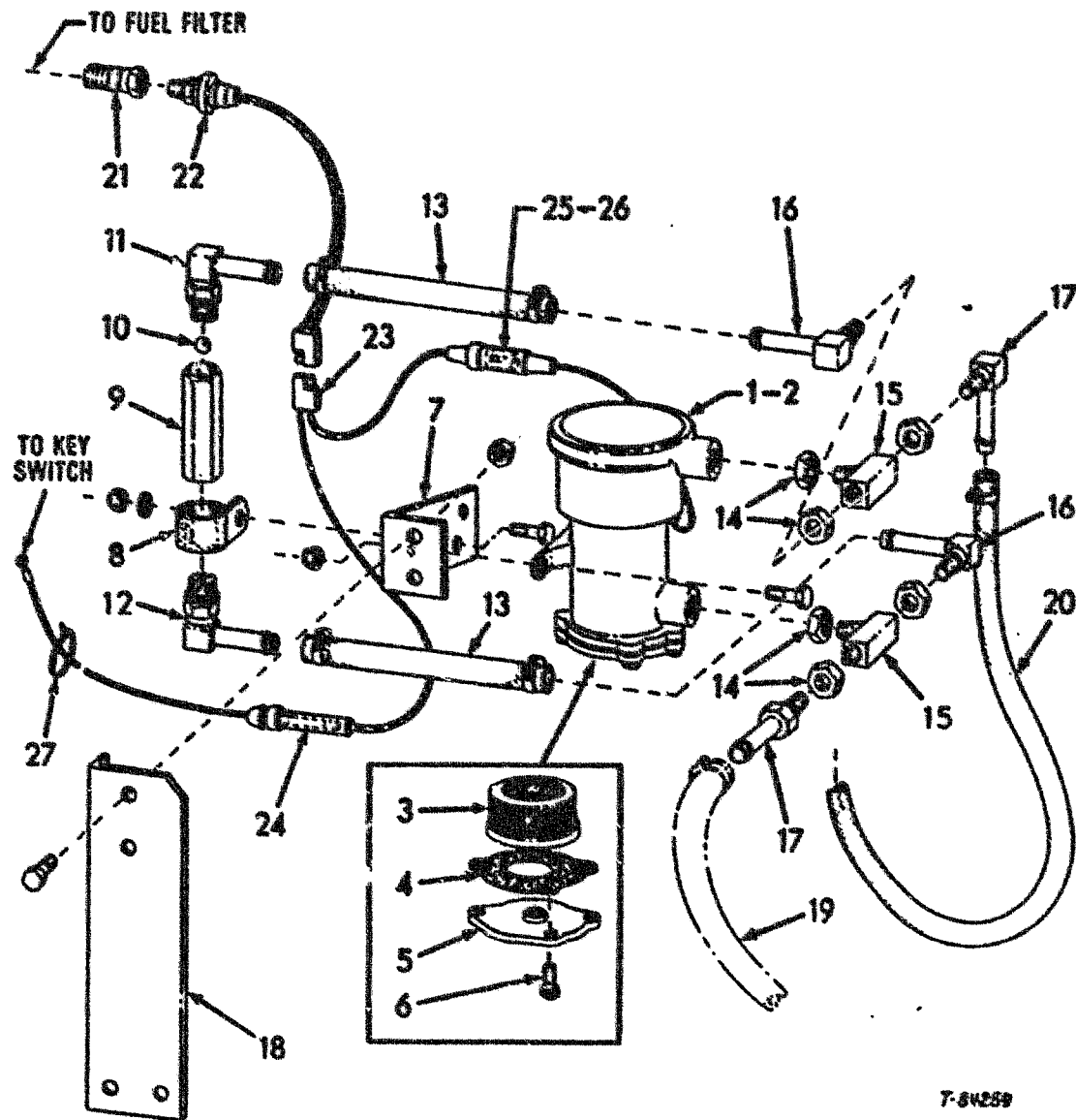


ITEM	PART NO.	QTY.	CODE	DESCRIPTION	DE NOMINAZIONE
1	73131882	1	154P	PUMP, FUEL	POMPA DI ALIMENTAZIONE
2	-----	1	300C	600L INCLUDES ITEM(S)2-6 BODY	INCLUDE PARTIC.(1) CORPO
3	73139420	1	65F	600M ORDER ITEM(S)1 FILTER	ORDINARE PARTIC. FILTRO
4	73139421	1	123G	GASKET	GUARNIZIONE DI TENUTA
5	73139422	1	265C	COVER	COPERCHIO
6	70936709	3	42V	SCREW	VITE
7	73140189	1	105P	PLATE	PIASTRA
	70927541	2	40V	CAPSCREW, 1/4"NC X 3/4"	VITE
	70917730	2	257C	LOCKNUT, 1/4"NC	CONTRODADO
8	70925620	1	120M	CLAMP	MORSETTO COLLARE
	70922925	1	40V	CAPSCREW	VITE
	70677005	1	131R	WASHER	ROSETTA
	70933622	1	10D	NUT	DADO
9	73140190	1	10V	VALVE	VALVOLA
10	73140192	1	140S	BALL	SFERA
11	73140191	1	85G	ELBOW	GOMITO
12	70928887	1	85G	ELBOW	GOMITO
13	73140188	2	192T	HOSE (5-1/2")	TUBO FLESSIBILE
	73122431	4	120M	CLAMP	MORSETTO COLLARE
14	70930349	6	10D	NUT	DADO
15	70931195	2	16R	TEE	RACCORDO A 3 VIE
16	70931226	2	85G	ELBOW	GOMITO
17	a70936761	2	85G	ELBOW	GOMITO
	b73142053	1	20R	FITTING	RACCORDO
18	a73141350	1	230S	BRACKET, MOUNTING	STAFFETTA FISSAGGIO
	70921566	4	40V	CAPSCREW, 5/16"NC X 1"	VITE
	70916871	4	257C	LOCKNUT, 5/16"NC	CONTRODADO
19	-----	1	192T	HOSE (A201)	TUBO FLESSIBILE
20	73073864	1	192T	HOSE (24")	TUBO FLESSIBILE
	73122431	2	120M	CLAMP	MORSETTO COLLARE
21	73140193	1	55T	ADAPTER	ADATTATORE
	10280060	2	123G	GASKET	GUARNIZIONE DI TENUTA
22	73136120	1	751	SWITCH	INTERRUTTORE
23	73140194	1	60F	WIRE	FILO
	600L			INCLUDES ITEM(S)24-26	INCLUDE PARTIC.(1)

FR11

ELECTRIC FUEL PUMP

A224/1



ITEM	PART NO.	QTY.	CODE	DESCRIPTION
24	70931769	1	110°	FUSE (5 AMP)
25	73122302	1	80P	PIN
26	73122304	1	50T	PLUG
27	70925094	3	501H	TIE
			600P	AS REQUIRED

DENOMINAZIONE

FUSIBILE

PERNO

TAPPO

TIRANTE

DEFINITO AL MONTAGGIO

a. WITHOUT SEPARATOR

b. WITH SEPARATOR

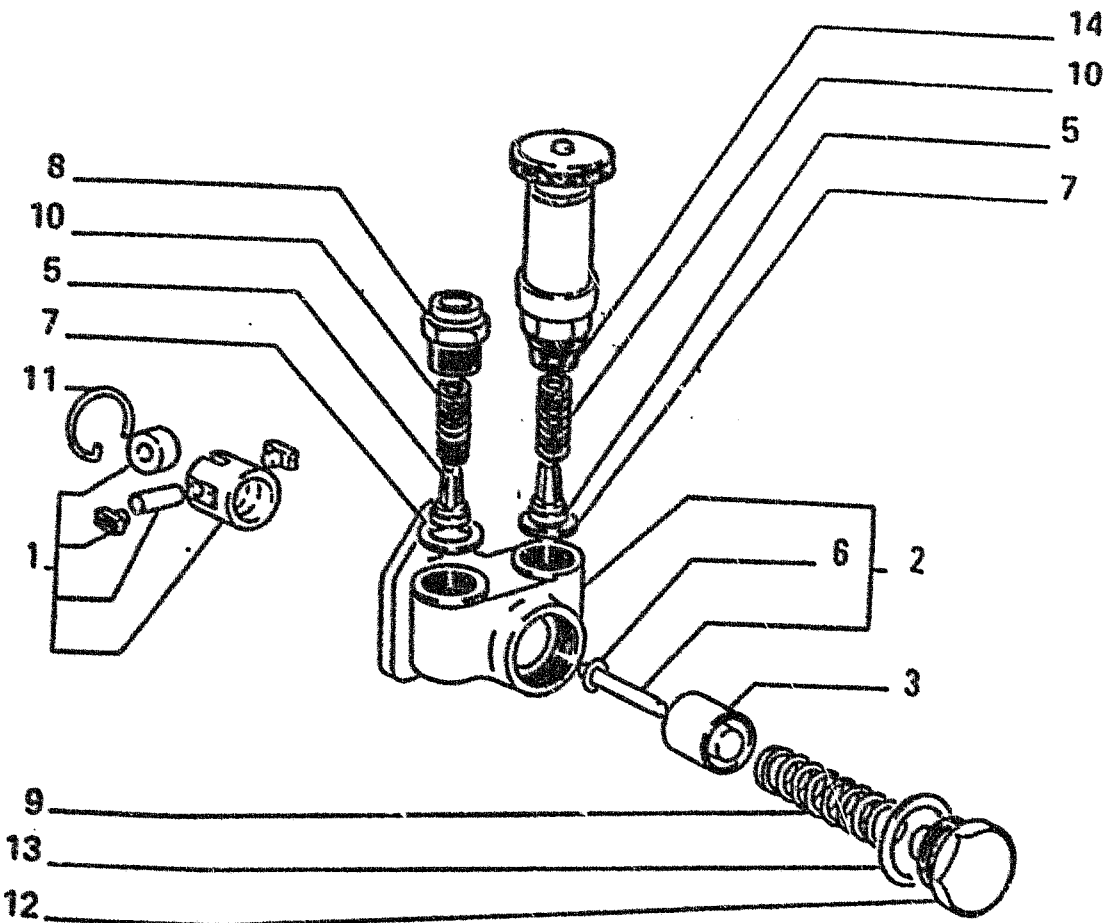
7-54259

FR11

ELECTRIC FUEL PUMP

A224/1

A225



ITEM	PART NO.	QTY.	CODE	DESCRIPTION	DENOMINAZIONE
-	00774098	1	134P	PUMP, FUEL	POMPA DI ALIMENTAZIONE
			600L	INCLUDES ITEM(S) 1-14	INCLUDE PARTIC.(1)
1	00775121	1	240P	TAPPET	PUNTERIA
2	00775117	1	300C	BODY	CORPO
3	00773184	1	235C	PISTON	STANTUFFO
5	00772125	2	10V	VALVE	VALVOLA
6	00772117	1	55A	O-RING	ANELLO DI TENUTA
7	00772056	2	123G	GASKET	GUARNIZIONE DI TENUTA
8	00773442	1	20R	FITTING	RACCORDO
9	00772114	1	100H	SPRING	MOLLA
10	00772127	2	100H	SPRING	MOLLA
11	00772124	1	45A	RING	ANELLO
12	00772115	1	123G	GASKET	GUARNIZIONE DI TENUTA
14	00774417	1	156P	PUMP, HAND	POMPA A MANO

FR12B

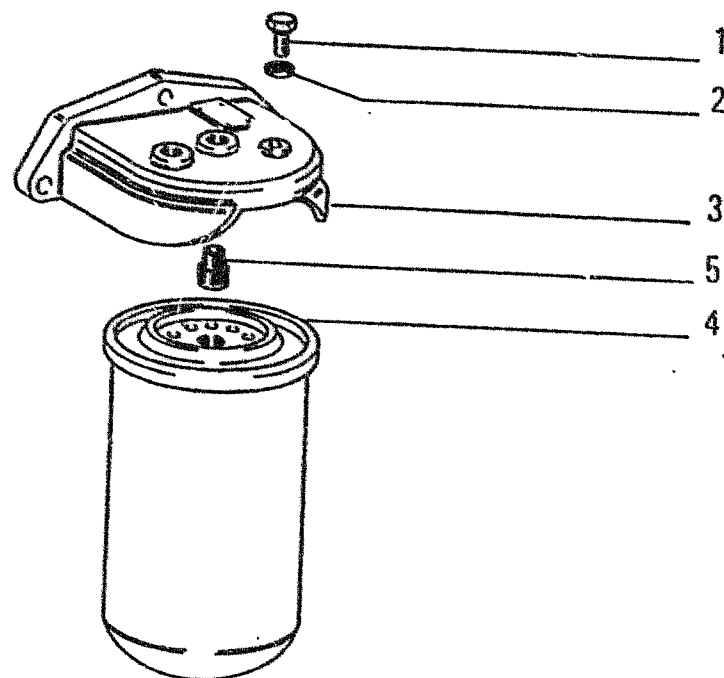
FUEL SUPPLY PUMP
 POMPA ALIMENTAZIONE
 POMPE D'ALIMENTATION
 KRAFTSTOFFPUMPE
 BOMBA DE ALIMENTACION

A225

REVISED OCTOBER 1990

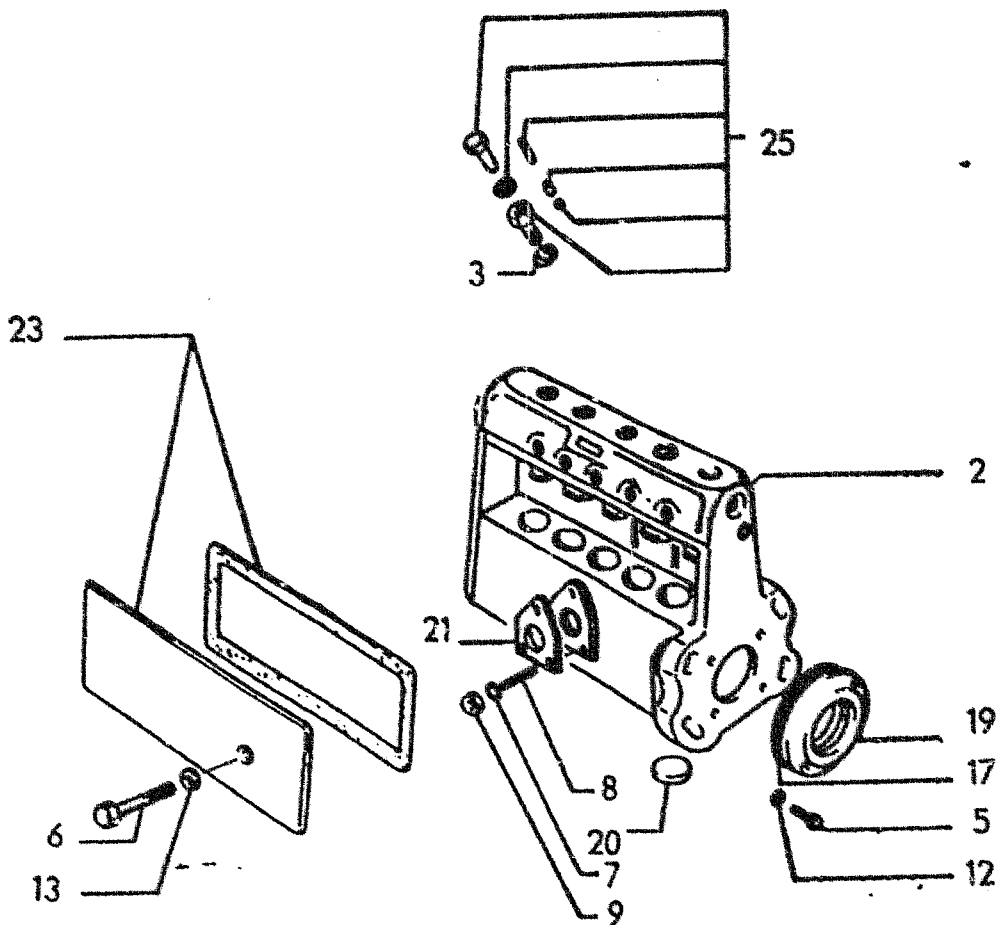
A226(1)

ITEM	PART NO.	QTY.	CODE	DESCRIPTION	DENOMINAZIONE
-	04618309	1	64F	FILTER, FUEL 600L INCLUDES ITEM(S)1-5	FILTRO COMBUSTIBILE INCLUDE PARTIC.(1)
1	04807219	1	50T	PLUG	TAPPO
2	10297760	1	133R	SEAL	GUARNIZIONE TENUTA
3	04626465	1	501M	HEAD	TESTA
4	04742848	1	20E	FILTER ELEMENT	ELEMENTO FILTRANTE
5	04626466	1	20R	FITTING	RACCORDO



FR11	FUEL FILTER FILTRO COMBUSTIBILE FILTRE A CARBURANT KRAFTSTOFFILTER FILTRO DE COMBUSTIBLE	A226	1
		Revised August 1988	

A227(1)



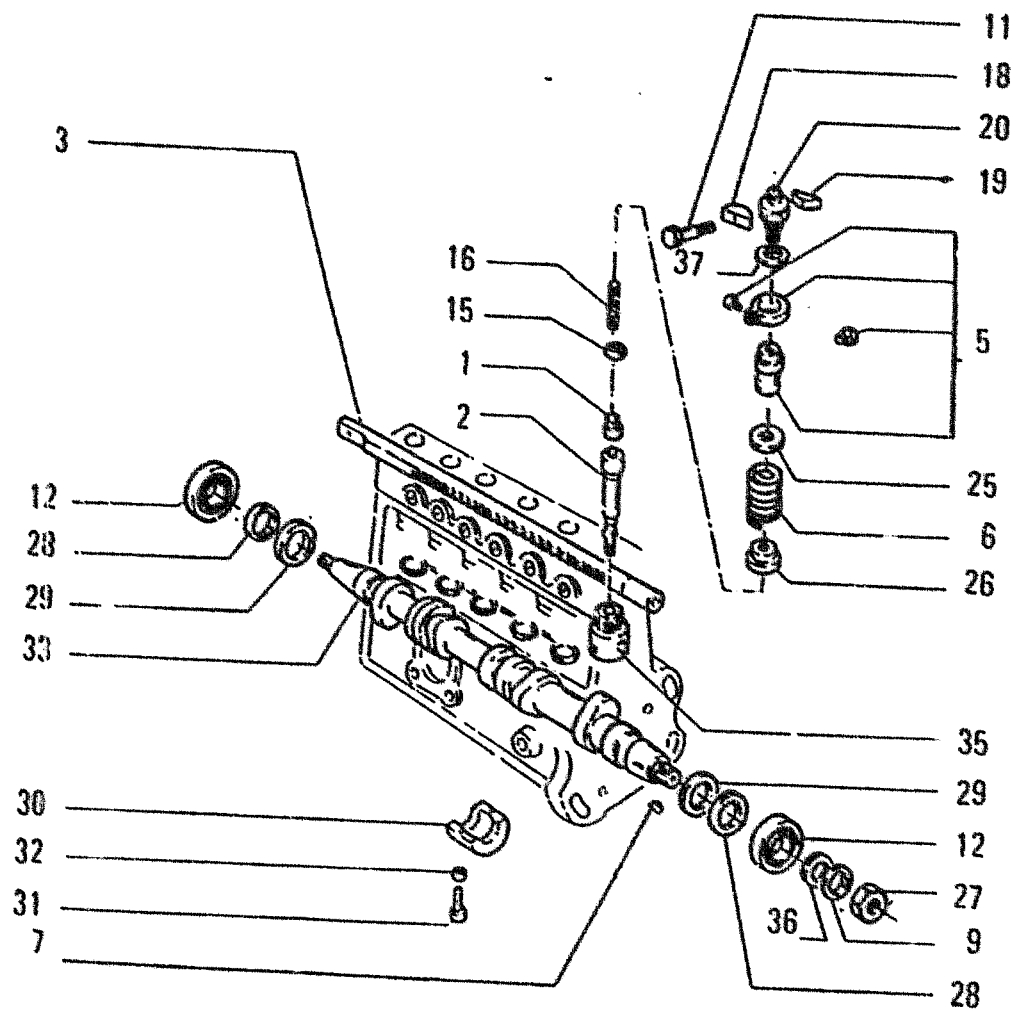
ITEM	PART NO.	QTY.	CODE	DESCRIPTION	DENOMINAZIONE
2	00774074	1	300C	BODY	CORPO
3	79038472	1	123G	GASKET	GUARNIZIONE DI TENUTA
5	10376821	4	40V	CAPSCREW	VITE
6	00773250	2	40V	CAPSCREW	VITE
7	12035671	3	132R	LOCKWASHER	ROSETTA DI SICUREZZA
8	11500210	3	210P	STUD	FRIGIONIERO
9	15896221	3	100	NUT	DADO
12	10569279	4	132R	LOCKWASHER	ROSETTA DI SICUREZZA
13	00772051	2	123G	GASKET	GUARNIZIONE DI TENUTA
17	00773223	1	123G	GASKET	GUARNIZIONE DI TENUTA
19	00773153	1	265C	COVER	COPERCHIO
20	79047785	6	50T	PLUG	TAPPO
21	79038466	1	123G	GASKET	GUARNIZIONE DI TENUTA
23	79024206	1	265C	COVER	COPERCHIO
25	79056367	1	10V	VALVE	VALVOLA

FR11

INJECTION PUMP
 POMPA INIEZIONE
 POMPE D'INJECTION
 EINSPRITZPUMPE
 BOMBA DE INYECCION

A227

1



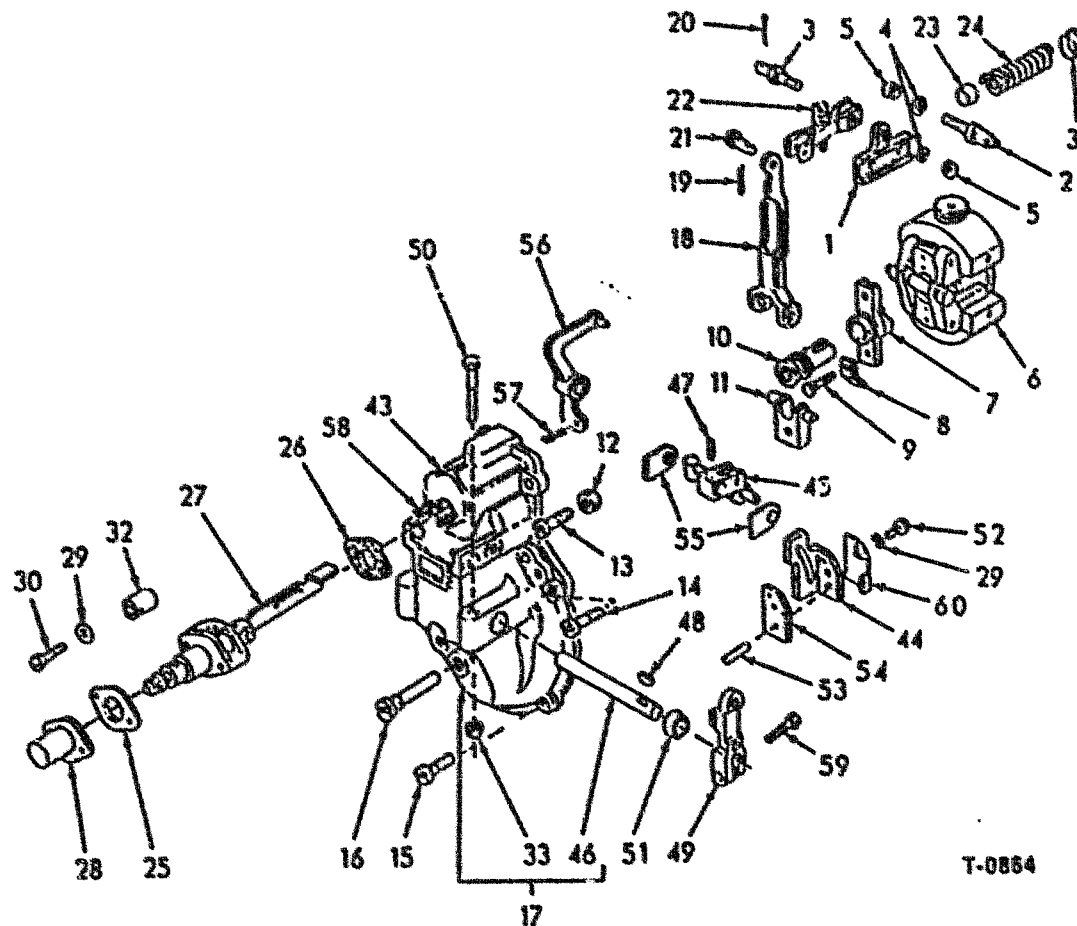
ITEM	PART NO.	QTY.	CODE	DESCRIPTION	DENOMINAZIONE
1	00773344	6	10V	VALVE	VALVOLA
2	00774774	6	164C	CYLINDER	CILINDRO
3	00773039	1	88A	ROD, ADJUSTING	ASTA DI REGOLAZIONE
5	00775048	6	59C	SLEEVE	CANOTTO
6	00774538	6	100M	SPRING	MOLLA
7	10206220	1	60L	KEY	LINGUETTA
9	12034771	1	131R	WASHER	ROSETTA
11	10377111	3	40V	CAPSCREW, 6 X 1 X 28	VITE
12	00773323	2	341C	BEARING	CUSCINETTO
15	00773286	6	123G	GASKET	GUARNIZIONE DI TENUTA
16	00773252	6	100M	SPRING	MOLLA
18	00773321	3	74B	BLOCK	BLOCCHETTO
19	00773322	3	74B	BLOCK	BLOCCHETTO
20	00773218	6	20R	FITTING	RACCORDO
25	00775123	6	121P	PLATE, TAPPET (UPPER)	PIATTELLO PUNTERIA
26	00773221	6	121P	PLATE, TAPPET (LOWER)	PIATTELLO PUNTERIA
27	00773445	1	10D	NUT	DADO
28	00773325	-	198S	SHIM, ADJUSTMENT (0.10)	SPESSORE DI REGISTRO
			600P	AS REQUIRED	DEFINITO AL MONTAGGIO
	00773326	-	198S	SHIM, ADJUSTMENT (0.12)	SPESSORE DI REGISTRO
			600P	AS REQUIRED	DEFINITO AL MONTAGGIO
	00773327	-	198S	SHIM, ADJUSTMENT (0.14)	SPESSORE DI REGISTRO
			600P	AS REQUIRED	DEFINITO AL MONTAGGIO
	00773328	-	198S	SHIM, ADJUSTMENT (0.16)	SPESSORE DI REGISTRO
			600P	AS REQUIRED	DEFINITO AL MONTAGGIO
	00773329	-	198S	SHIM, ADJUSTMENT (0.18)	SPESSORE DI REGISTRO
			600P	AS REQUIRED	DEFINITO AL MONTAGGIO
	00773330	-	198S	SHIM, ADJUSTMENT (0.30)	SPESSORE DI REGISTRO
			600P	AS REQUIRED	DEFINITO AL MONTAGGIO
	00773336	-	198S	SHIM, ADJUSTMENT (0.50)	SPESSORE DI REGISTRO
			600P	AS REQUIRED	DEFINITO AL MONTAGGIO
29	00773219	2	45A	RING	ANELLO
30	00773348	1	103S	BEARING, HALF	SEMICUSCINETTO
31	79047816	2	40V	CAPSCREW	VITE
32	00772050	2	131R	WASHER	ROSETTA
33	00774272	1	16A	SHAFT	ALBERO
35	09929664	6	240P	TAPPET	PUNTERIA
36	00773254	1	45A	RING	ANELLO
37	00773287	6	45A	RING	ANELLO

FR11

INJECTION PUMP
 POMPA INIEZIONE
 POMPE D'INJECTION
 EINSPRITZPUMPE
 BOMBA DE INYECCION

A227

2



ITEM	PART NO.	QTY.	CODE	DESCRIPTION	DENOMINAZIONE
1	00773469	1	80M	BRACKET	MENSOLA
2	00774059	1	80P	PIN	PERNO
3	00773350	1	80P	PIN	PERNO
4	12035471	2	131R	WASHER, 5.1 X 1	ROSETTA
5	15896421	2	100	NUT, 5 X 20.8 X 4	DADO
6	00775021	1	30R	GOVERNOR(A228/1(2))	REGOLATORE
7	00772566	1	95B	BUSHING	BOCCOLA
8	00772567	2	105P	PLATE	PIASTRA
9	10902221	2	40V	CAPSCREW, 6 X 1 X 16	VITE
10	00773627	1	80P	PIN	PERNO
11	00772823	1	79L	PIVOT	LUNETTA
12	00774339	1	100	NUT	DADO
13	00772703	1	40V	CAPSCREW	VITE
14	00774340	1	40V	CAPSCREW	VITE
15	10377011	5	40V	CAPSCREW, 6 X 1 X 25	VITE
16	00772579	1	40V	CAPSCREW	VITE
17	00774503	1	265C	COVER	COPERCHIO
18	00772847	1	45L	LEVER	LEVA
19	10795001	1	270C	PIN, SPLIT	COPIGLIA
20	10795701	1	270C	PIN, SPLIT	COPIGLIA
21	00772568	1	80P	PIN	PERNO
22	00774168	1	86F	YOKE	FORCELLA
23	00773358	1	131R	WASHER	ROSETTA
24	00773357	1	100M	SPRING	NOLLA
25	00772650	1	123G	GASKET	GUARNIZIONE DI TENUTA
26	00772649	1	123G	GASKET	GUARNIZIONE DI TENUTA
27	00775023	1	17A	CAMSHAFT(A228(3))	ALBERO AD ECCENTRICI
28	00772653	1	20C	CAP	CALOTTA
29	12035671	3	131R	WASHER 6.1 X 1.3	ROSETTA
30	00772666	2	40V	CAPSCREW	VITE
31	00773356	1	45A	RING	ANELLO
32	00772652	2	95B	BUSHING	BOCCOLA
33	15896221	1	100	NUT	DADO
43	-----	1	265C	COVER	COPERCHIO
			601C	NOT SERVICED	NON FORNITO DI RICAMB.
44	00772830	1	45L	LEVER	LEVA
45	00773634	1	45L	LEVER	LEVA

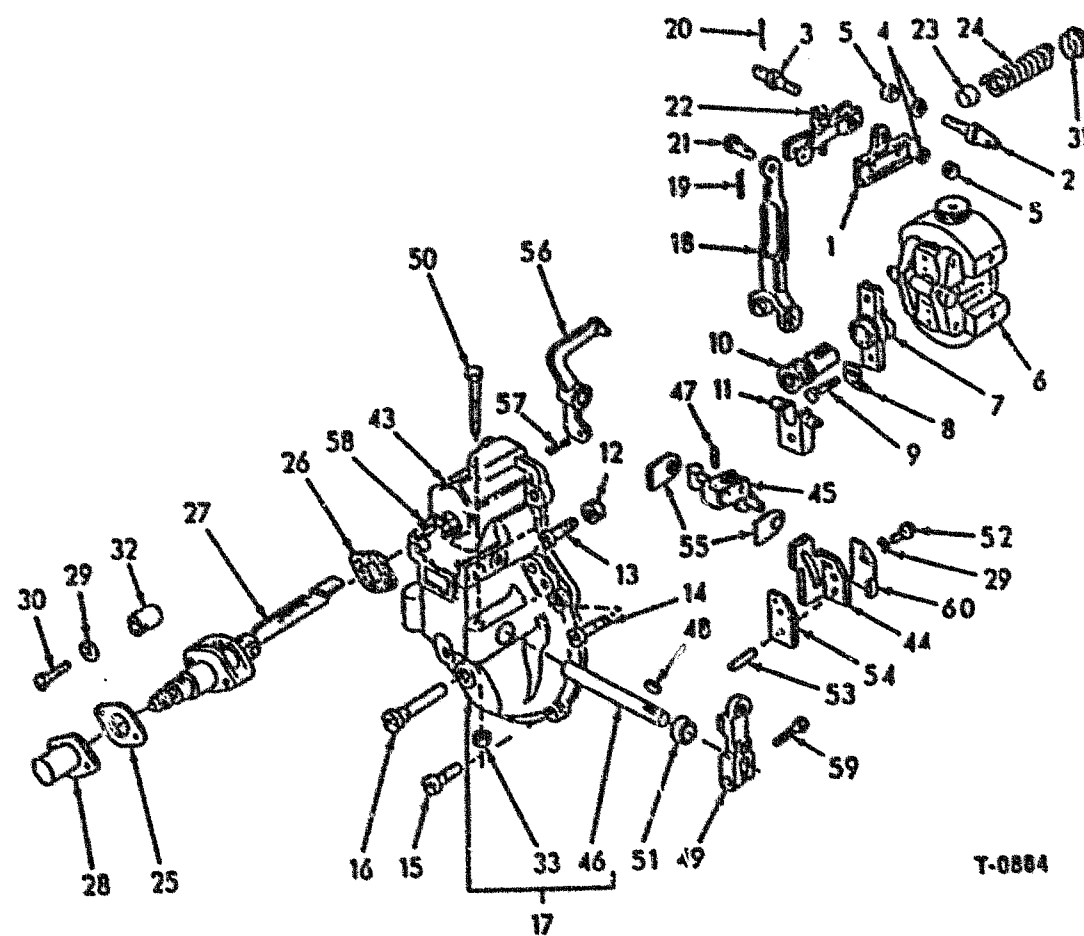
FR11

SPEED GOVERNOR (COVER)
 REGOLATORE DI VELOCITA'
 REGULATEUR DE VITESSE
 DREHZAHLEGLER
 REGULADOR DE VELOCIDAD

A228

1

REVISED OCTOBER 1990



ITEM	PART NO.	QTY.	CODE	DESCRIPTION	DENOMINAZIONE
46	00772609	1	16A	SHAFT	ALBERO
47	11039720	2	80P	PIN	PERNO
48	10205720	1	60L	KEY	LINGUETTA
49	00772611	1	45L	LEVER	LEVA
50	00772829	1	40V	CAPSCREW	VITE
51	00772618	2	133R	SEAL	GIARNIZIONE TENUTA
52	10902521	1	40V	CAPSCREW, 6 X 1 X 22	VITE
53	10333310	2	80P	PIN	PERNO
54	00772825	-	116P	PLATE, SHIMMING(0.20)	PIASTRINA-SPESSORE
	00772826	-	116P	PLATE, SHIMMING(0.30)	PIASTRINA-SPESSORE
	00772827	-	116P	PLATE, SHIMMING(0.80)	PIASTRINA-SPESSORE
	00772828	-	116P	PLATE, SHIMMING(0.90)	PIASTRINA-SPESSORE
55	00772619	2	105P	PLATE	PIASTRA
56	00773623	1	45L	LEVER	LEVA
57	00773624	1	100M	SPRING	MOLLA
58	00772620	2	210P	STUD	PRIGIONIERO
59	10902421	1	40V	CAPSCREW, 6 X 1 X 20	VITE
60	00773204	1	116P	PLATE, SHIMMING	PIASTRINA-SPESSORE

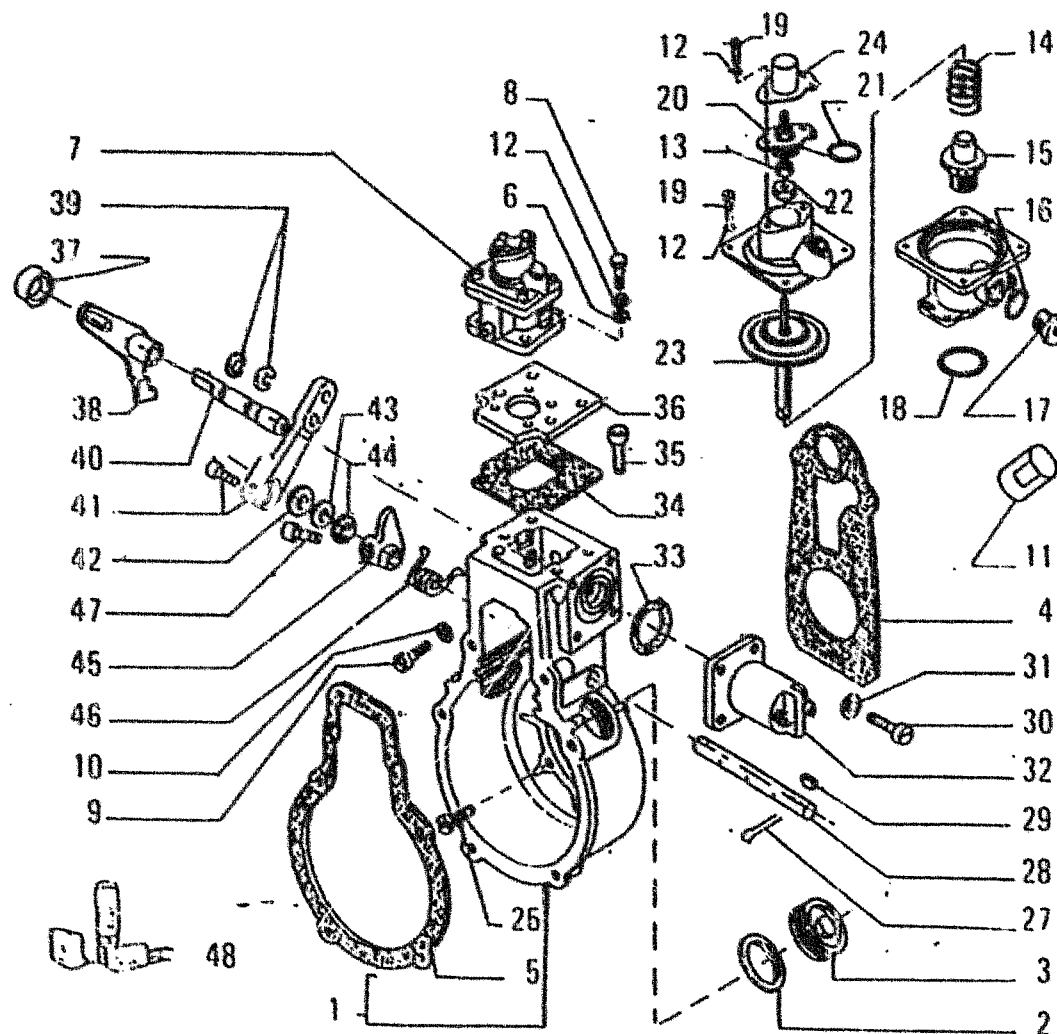
FR11

SPEED GOVERNOR (COVER)
 REGOLATORE DI VELOCITA'
 REGULATEUR DE VITESSE
 DREHZAHLEGLER
 REGULADOR DE VELOCIDAD

A228

1

REVISED OCTOBER 1990



ITEM	PART NO.	QTY.	CODE	DESCRIPTION	DENOMINAZIONE
1	79062466	1	35S	HOUSING	SCATOLA
2	01288522	2	122G	LINING, DISK BRAKE	PASTIGLIA FRENO DISCO
3	79023666	2	50T	PLUG	TAPPO
4	00773353	1	122C	LINING, DISK BRAKE	PASTIGLIA FRENO DISCO
5	79023662	1	122G	LINING, DISK BRAKE	PASTIGLIA FRENO DISCO
6	79045922	4	131R	WASHER	ROSETTA
7	00774841	1	308C	COMPENSATOR	COMPENSATORE
8	79045924	4	40V	CAPSCREW	VITE
9	10379011	4	40V	CAPSCREW, 8 X 1.25 X 20	VITE
10	12034571	1	131R	WASHER, 8.2 X 1.6	ROSETTA
11	00773354	1	50T	PLUG	TAPPO
12	12035671	10	131R	WASHER, 6.1 X 1.3	ROSETTA
13	15896221	1	100	NUT, 6 X 1 X 5	DADO
14	00774507	1	100M	SPRING	MOLLA
15	79033458	1	95B	BUSHING	ROCCOLA
16	79046212	1	45A	RING	ANELLO
17	79033460	1	50T	PLUG	TAPPO
18	79033437	1	55A	O-RING	ANELLO DI TENUTA
19	10376711	6	40V	CAPSCREW, 6 X 1 X 16	VITE
20	00773964	1	51V	SCREW, ADJUSTABLE	VITE DI REGOLAZIONE
21	79033451	1	55A	O-RING	ANELLO DI TENUTA
22	79033452	1	100	NUT	DADO
23	00773963	1	90A	ROD	ASTA
24	79033449	1	20C	CAP	CALOTTA
25	00773351	6	40V	CAPSCREW	VITE
26	00774151	1	35S	HOUSING	SCATOLA
27	10734201	2	270C	PIN, SPLIT	COPIGLIA
28	79039761	1	16A	SHAFT	ALBERO
29	01136607	1	60L	KEY	LINGUETTA
30	10389421	4	40V	CAPSCREW, 5 X 0.8 X 12	VITE
31	12035471	4	131R	WASHER, 5.1 X 1	ROSETTA
32	00774119	1	30E	SOLENOID	ELETTROMAGNETE
33	00774120	1	45A	RING	ANELLO
34	79033435	1	122G	LINING, DISK BRAKE	PASTIGLIA FRENO DISCO
35	79033432	4	40V	CAPSCREW	VITE
36	79033436	1	265C	COVER	COPERCHIO
37	00773703	1	50T	PLUG	TAPPO

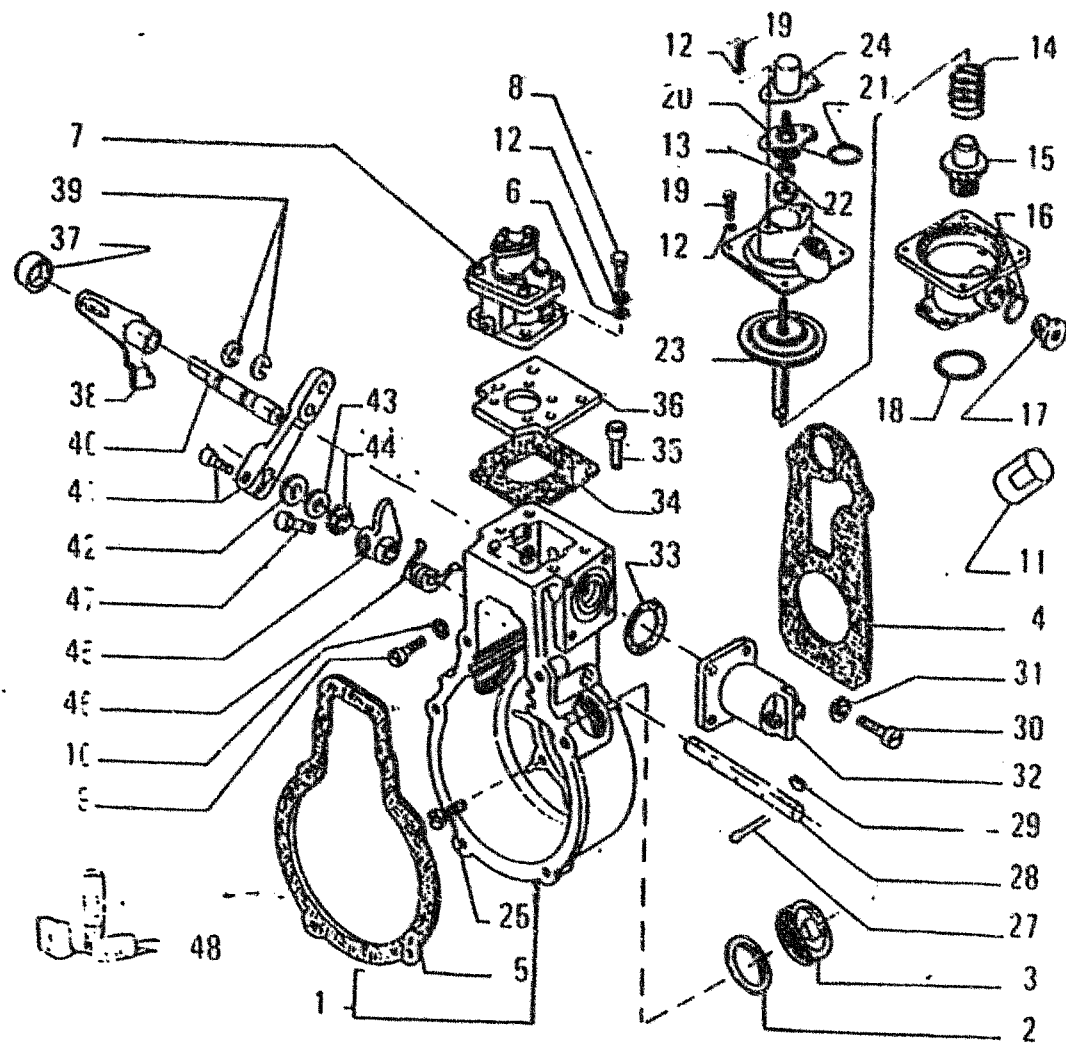
FR11

SPEED GOVERNOR (REGULATOR)
 REGOLATORE DI VELOCITA
 REGULATEUR DE VITESSE
 DREHZAHLEGLER
 REGULADOR DE VELOCIDAD

A228

2

Added August 1988



ITEM	PART NO.	QTY.	CODE	DESCRIPTION	DENOMINAZIONE
38	00773680	1	45L	LEVER	LEVA
39	11087876	2	45A	RING	ANELLO
40	00774121	1	16A	SHAFT	ALBERO
41	79033427	1	45L	LEVER	LEVA
42	79039755	-	131R	WASHER	ROSETTA
43	14499401	2	131R	WASHER	ROSETTA
44	79039757	2	55A	O-RING	ANELLO DI TENUTA
45	79033426	1	45L	LEVER	LEVA
46	79033425	1	100M	SPRING	MOLLA
47	79039754	1	40V	CAPSCREW	VITE
48	00775022	-	129S	KIT	SERIE

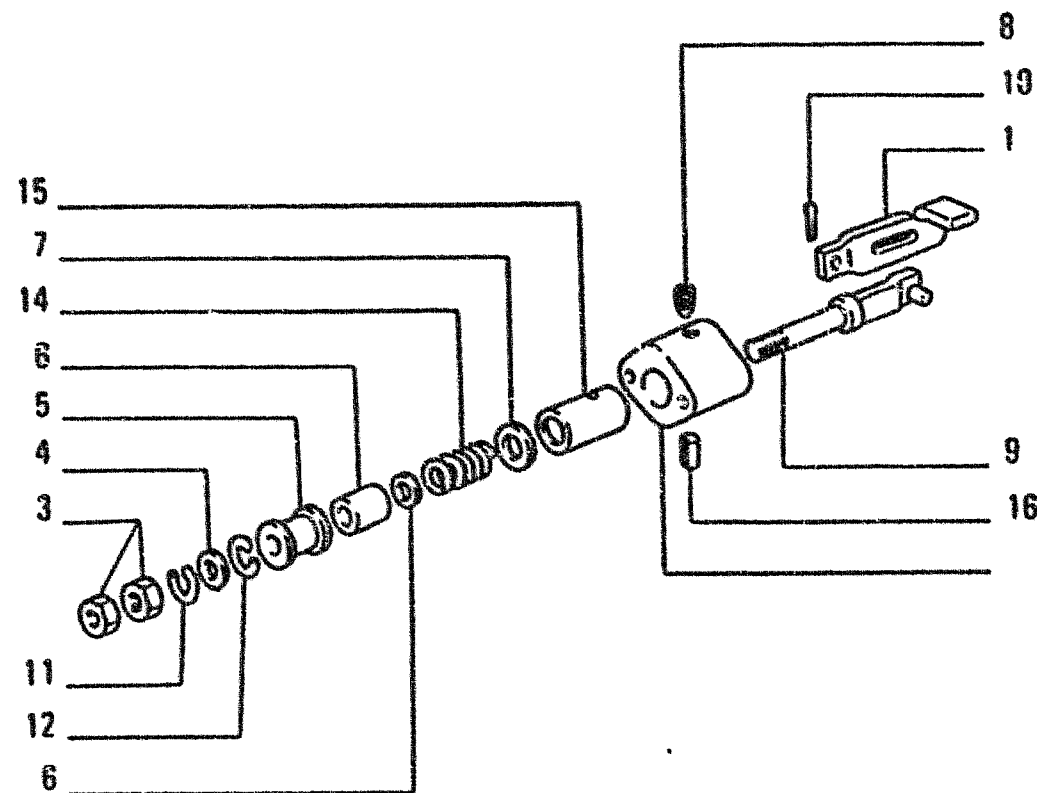
FR11

SPEED GOVERNOR (REGULATOR)
 REGOLATORE DI VELOCITA'
 REGULATEUR DE VITESSE
 DREHZAHLREGLER
 REGULADOR DE VELOCIDAD

A228

2

Added August 1988



ITEM	PART NO.	QTY.	CODE	DESCRIPTION	DENOMINAZIONE
1	00774184	1	86F	YOKE	FORCELLA
2	00774187	1	131R	WASHER	ROSETTA
3	15896421	2	10D	NUT, 5X0.8X4	DADO
4	00774267	1	131R	WASHER	ROSETTA
5	00774257	1	95B	BUSHING, 1.80MM	BOCCOLA
	00774258	1	95B	BUSHING, 1.85MM	BOCCOLA
	00774259	1	95B	BUSHING, 1.90MM	BOCCOLA
	00774260	1	95B	BUSHING, 1.95MM	BOCCOLA
	00774261	1	95B	BUSHING, 2MM	BOCCOLA
	00774262	1	95B	BUSHING, 2.05MM	BOCCOLA
	00774263	1	95B	BUSHING, 2.10MM	BOCCOLA
	00774264	1	95B	BUSHING, 2.15MM	BOCCOLA
6	00774489	1	45A	RING, 1.4MM	ANELLO
7	00773659	1	105P	PLATE	PIASTRA
8	13737311	1	40V	CAPSCREW	VITE
9	00774254	1	80P	PIN	PERNO
10	00774188	1	270C	PIN, SPLIT	COPIGLIA
11	00775337	1	45A	RING	ANELLO
12	00775486	1	96A	RING, RETAINING	ANELLO DI RITEGNO
13	00773661	1	95B	BUSHING	BOCCOLA
14	00774904	1	100M	SPRING	MOLLA
15	00774253	1	95B	BUSHING	BOCCOLA
16	00772919	1	270C	PIN, SPLIT	COPIGLIA

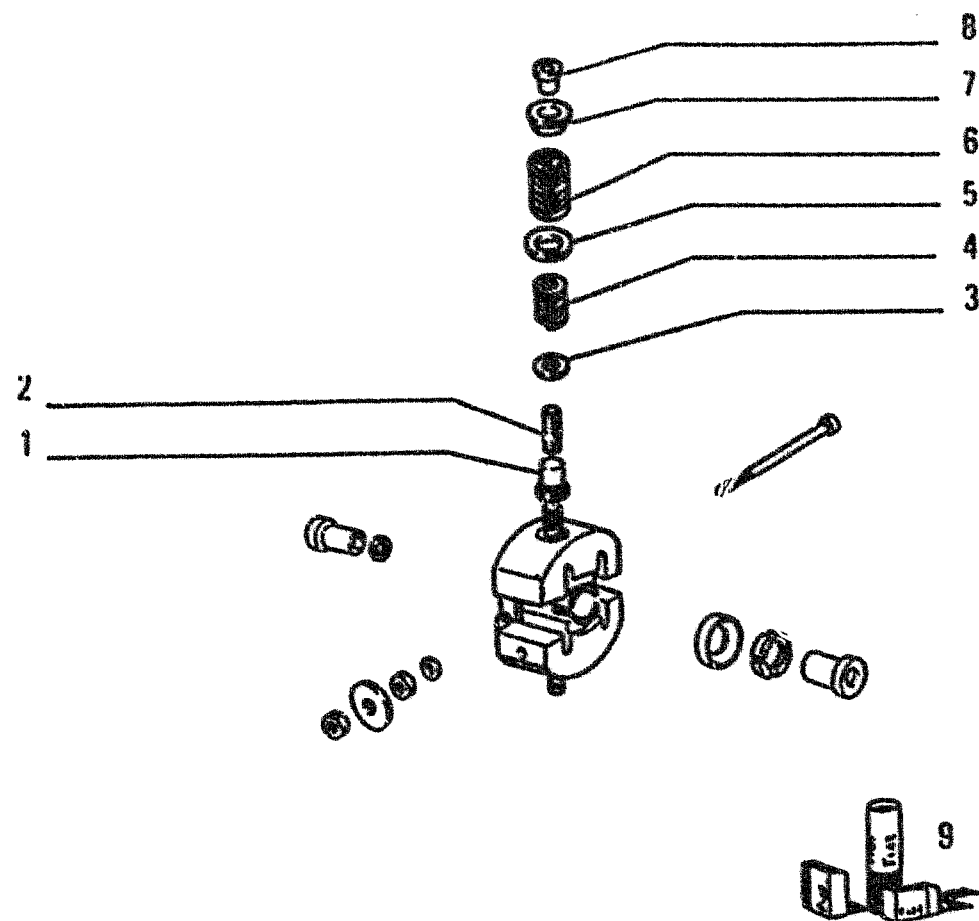
FR11

SPEED GOVERNOR (SOLENOID)
 REGOLATORE DI VELOCITA
 REGULATEUR DE VITESSE
 DREHZAHLEGLER
 REGULADOR DE VELOCIDAD

A228

3

ADDED DECEMBER 1989



ITEM	PART NO.	QTY.	CODE	DESCRIPTION	DENOMINAZIONE
1	00773841	2	105P	PLATE, 3.25MM	PIASTRA
	00773842	2	105P	PLATE, 3.10MM	PIASTRA
	00773843	2	105P	PLATE, 2.95MM	PIASTRA
2	00773773	2	100H	SPRING	MOLLA
3	00772761	6	131R	WASHER	ROSETTA
4	00772759	2	100H	SPRING	MOLLA
5	00772558	2	131R	WASHER	ROSETTA
6	00773763	2	100H	SPRING	MOLLA
	00773855	2	105P	PLATE, UPPER	PIASTRA
8	00773854	2	100	NUT	DADO
	00775022	1	1295	KIT	SERIE

FR11

SPEED GOVERNOR (REGULATOR)
 REGOLATORE DI VELOCITA
 REGULATEUR DE VITESSE
 DREHZAHLEGLER
 REGULADOR DE VELOCIDAD

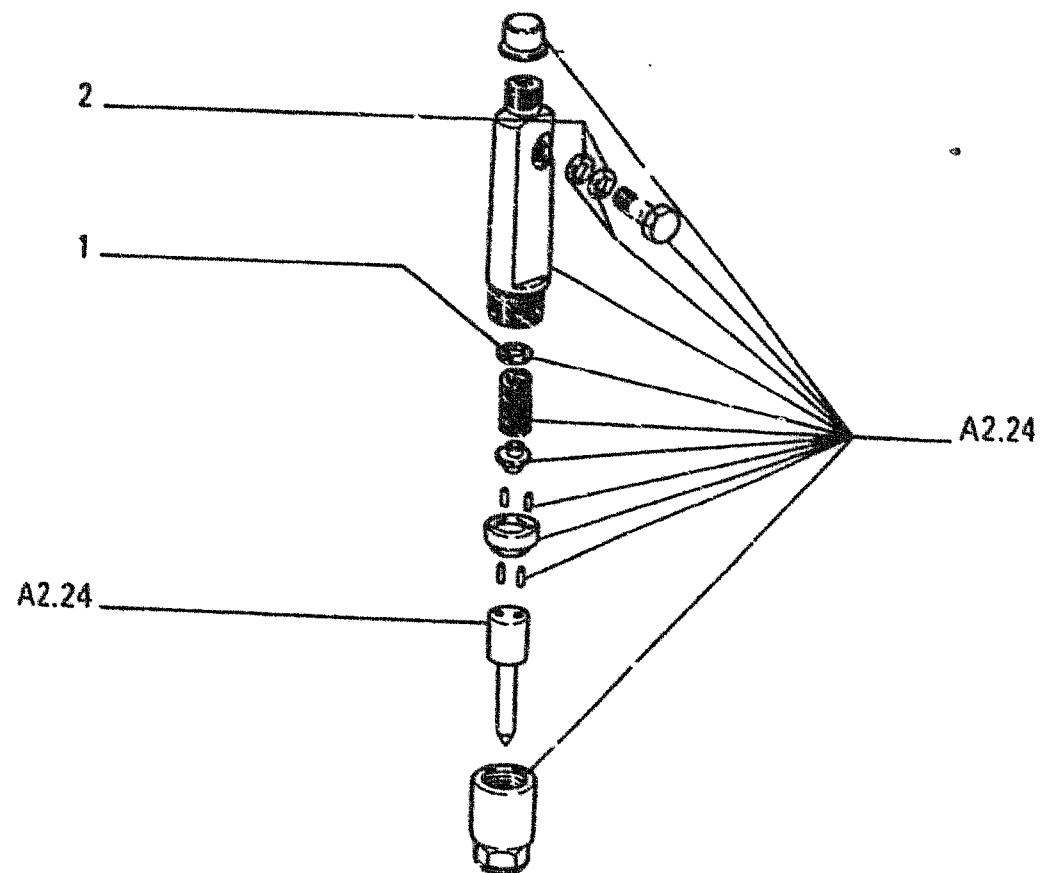
A228/1

2

REVISED OCTOBER 1990

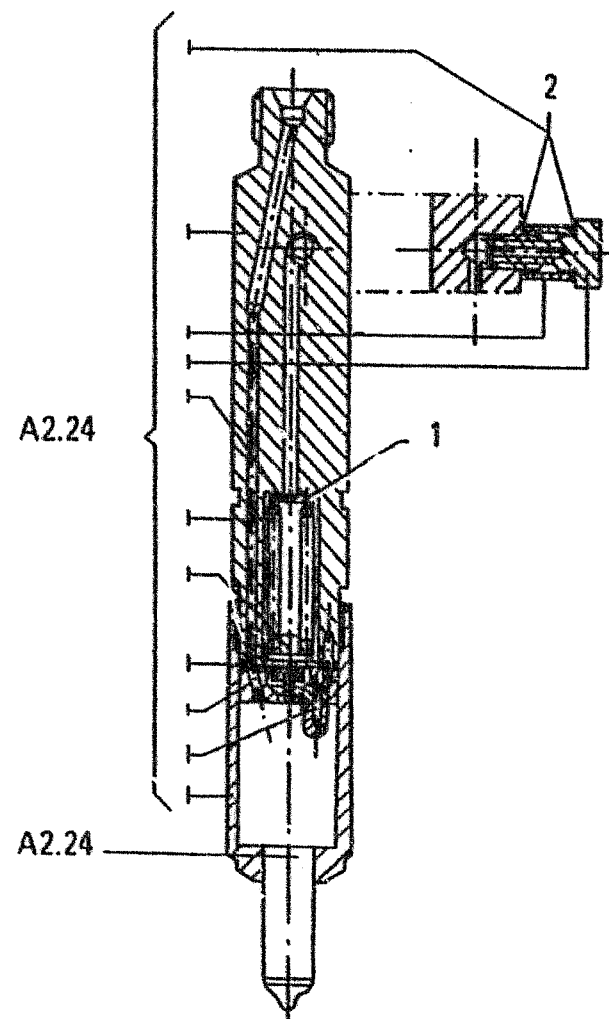
A235

ITEM	PART NO.	QTY.	CODE	DESCRIPTION	DENOMINAZIONE
-	04791124	1	195P	HOLDER, NOZZLE	PORTAPOLVERIZZATORE
			600L	INCLUDES ITEM(S)1,2	INCLUDE PARTIC.(1)
1	79067856		129S	KIT	SERIE
2	00772051	2	133R	SEAL	GUARNIZIONE TENUTA



FR11	NOZZLE HOLDER(BOSCH) PORTAPOLVERIZZATORE INJECTEUR DUSENHALTER INYECTOR	A235

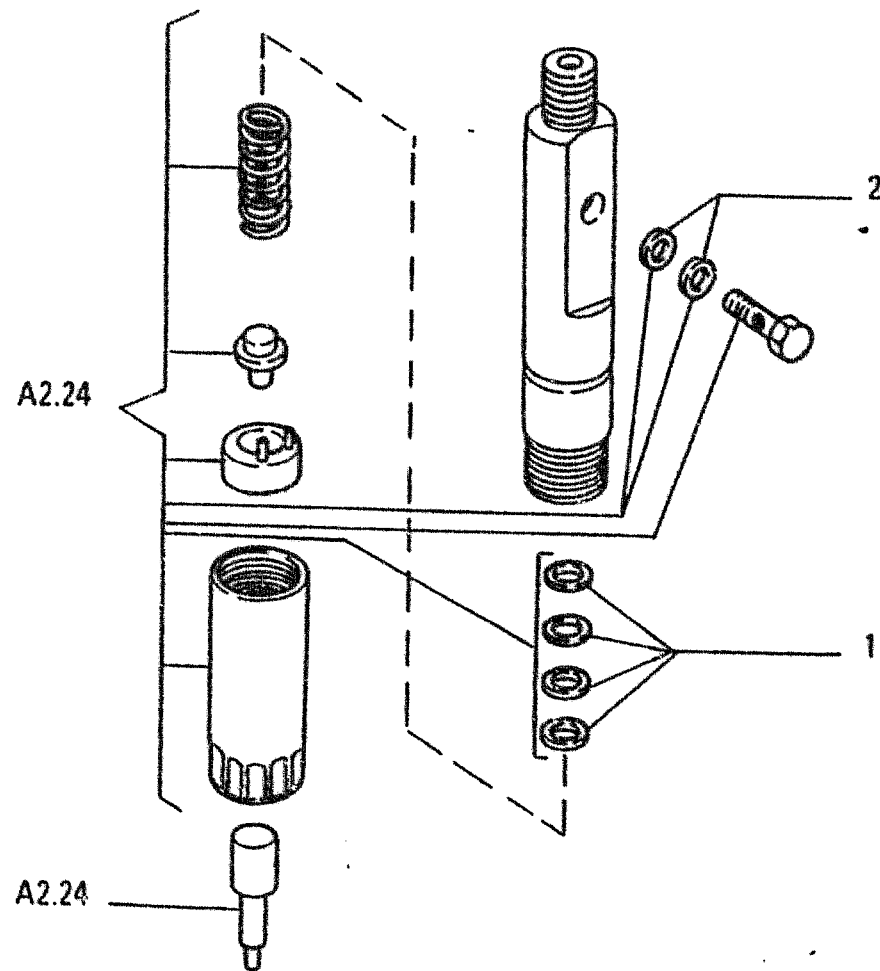
A235/3



ITEM	PART NO.	QTY.	CODE	DESCRIPTION	DENOMINAZIONE
-	79069718	1	195P	HOLDER, NOZZLE	PORTAPOLVERIZZATORE
			600L	INCLUDES ITEM(S)1,2	INCLUDE PARTIC.(1)
1	79069735	1	129S	KIT	SERIE
2	10297760	2	133R	SEAL	GUARNIZIONE TENUTA

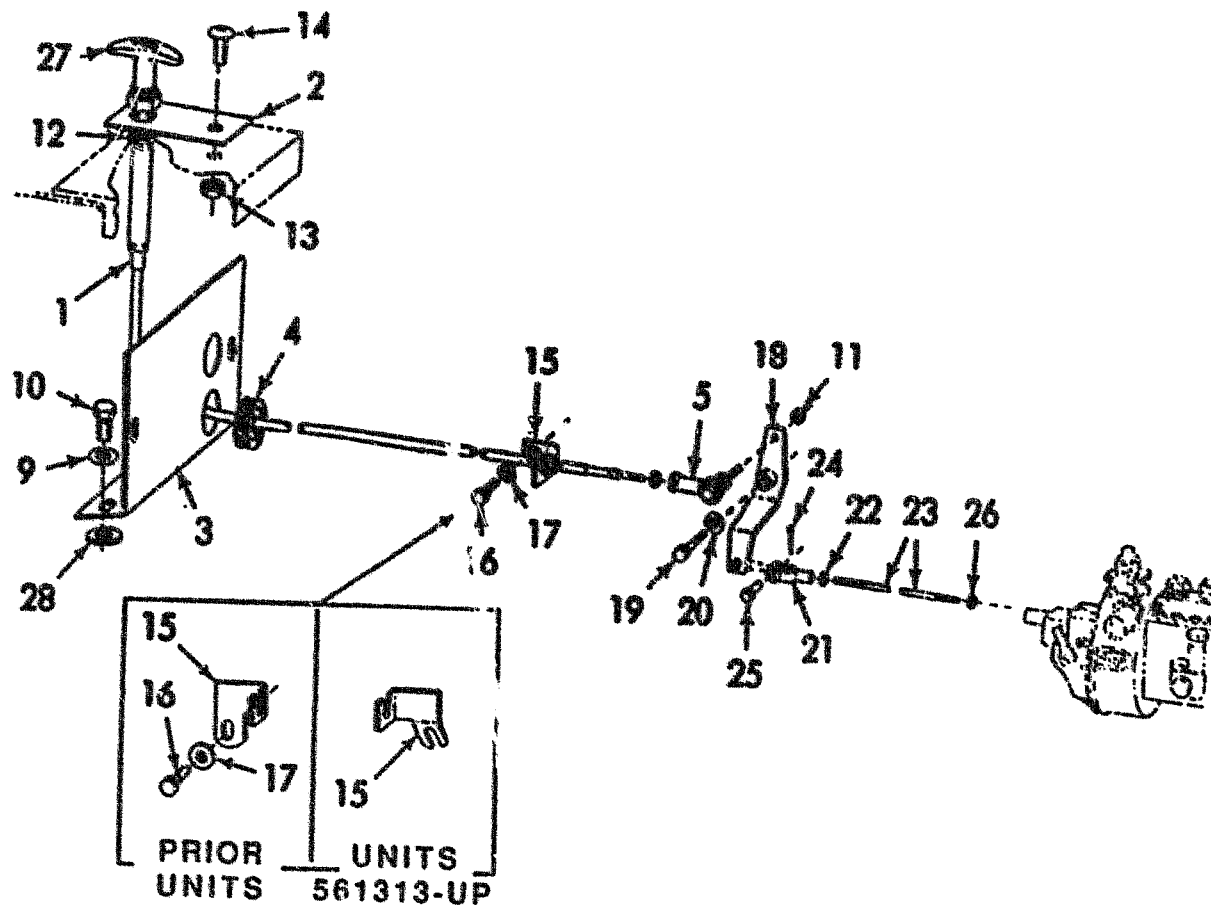
FR11	NOZZLE HOLDER(OMAP) PORTAPOLVERIZZATORE INJECTEUR DUSENHALTER INVECTOR	A235/3

A235/4



ITEM	PART NO.	QTY.	CODE	DESCRIPTION	DENOMINAZIONE
-	04802392	1	195P	HOLDER, NOZZLE	PORTAPOLVERIZZATORE
			600L	INCLUDES ITEM(S)1,2	INCLUDE PARTIC.(1)
1	00775013	1	129S	KIT	SERIE
2	00772051	2	133R	SEAL	GUARNIZIONE TENUTA

FR11	NOZZLE HOLDER (WEBER) PROTAPOLVERIZZATORE INJECTEUR DUSENHALTER INYECTOR	A235/4
------	--	--------



T-88551

ITEM PART NO. QTY. LEX. DESCRIPTION

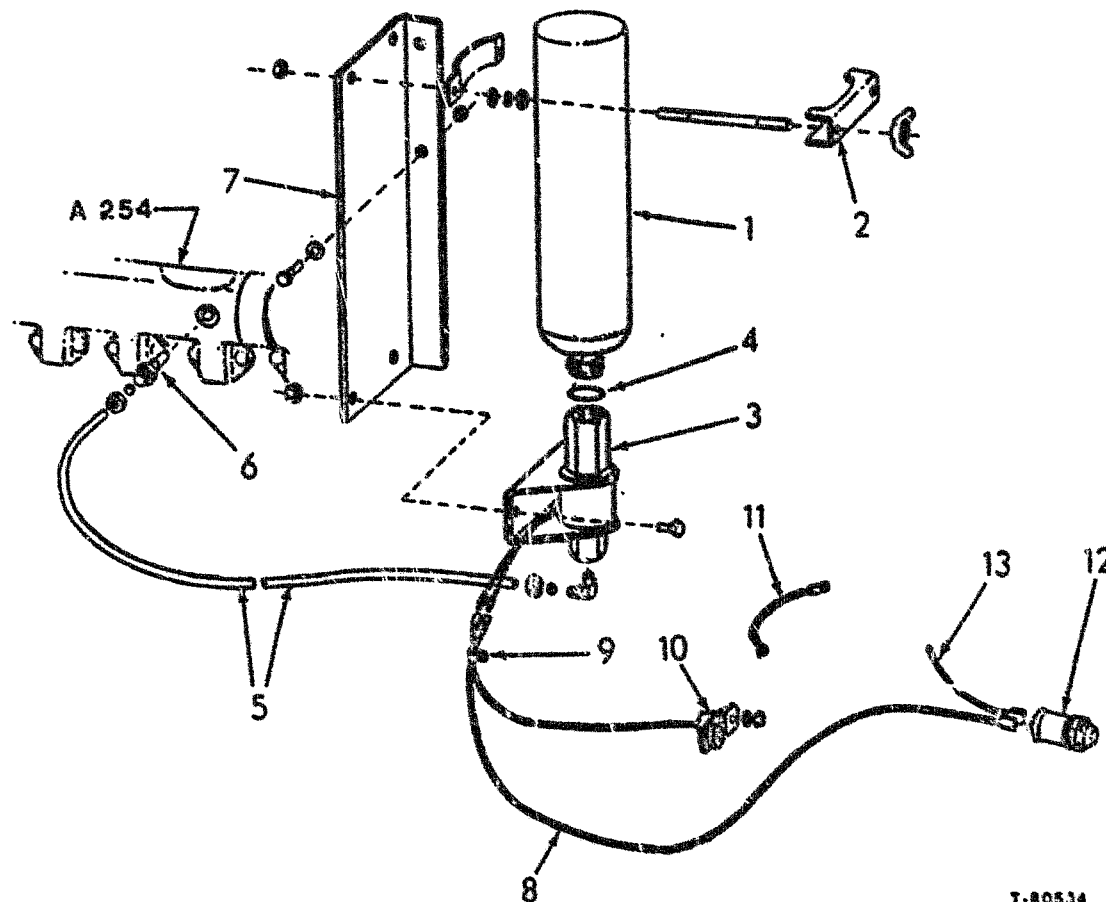
1	73069054	1	105F	CABLE
			600L	INCLUDES ITEM(S) 27
2	73072051	1	105P	PLATE
3	73072367	1	105P	PLATE
4	70923510	1	45A	RING
5	73069122	1	70G	BALL JOINT
9	70677006	2	131R	WASHER
10	70922763	2	40V	CAPSCREW, 3/8"NC X 1"
11	70922714	1	10D	NUT
12	70917415	1	10D	NUT
13	70933623	1	10D	NUT
14	70934844	1	40V	CAPSCREW, 3/8"NC X 1"
15	76012363	1	300S	SUPPORT
			600X	PRIOR TO UNIT NO. 530315
	76017699	1	300S	SUPPORT
			600Y	UNIT NO. 530315 AND UP
16	16043921	1	40V	CAPSCREW, 8 X 1.25 X 35
17	70677005	2	131R	WASHER
18	76009200	1	45L	LEVER
19	76012364	1	40V	CAPSCREW
20	70926192	1	131R	WASHER
21	70917662	1	86F	YOKE
22	70910267	1	10D	NUT
23	76012048	1	142T	TIEROD
24	10795101	1	81P	PIN, SECURING
25	70917644	1	80P	PIN
26	10725911	1	10D	NUT
27	70197211	1	20M	HANDLE
	70901781	1	42V	SCREW
28	10397880	2	131R	WASHER

FR11

ENGINE CONTROLS

A24C

REVISED NOVEMBER 1990



T-80534

ITEM	PART NO.	QTY.	CODE	DESCRIPTION	DENOMINAZIONE
-	73075167	1	164C	CYLINDER	CILINDRO
			600L	INCLUDES ITEM(S)2-6,10	INCLUDE PARTIC.(1)
1	73100082	1	164C	CYLINDER	CILINDRO
2	70669359	1	120M	CLAMP	MORSETTO COLLARE
			600R	INCL. HARDWARE	INCL. VITERIA
3	73075165	1	32E	VALVE, ELECTRO	ELETTRIVALVOLA
			-----	85G	ELBOW
	70912589	1	10D	NUT	DADO
	70911841	1	59C	SLEEVE	CANNOTTO
	70928138	2	40V	CAPSCREW, 1/4"NC X 5/8"	VITE
	70917730	2	257C	LOCKNUT, 1/4"NC	CONTRODADO
4	73070169	1	123G	GASKET	GUARNIZIONE DI TENUTA
5	73115566	1	206T	TUBE	TUBO
6	73119442	1	500E	ATOMIZER	POLVERIZZATORE
			600S	INCL. NUTS AND SLEEVES	INCL. DADI E ADATTAT.
	70912589	1	10D	NUT	DADO
	70911841	1	59C	SLEEVE	CANNOTTO
7	73074814	1	230S	BRACKET, MOUNTING	STAFFETTA FISSAGGIO
	70921076	2	40V	CAPSCREW, 3/8"NC X 1-1/4"	VITE
	70929156	2	131R	WASHER	ROSETTA
	70933623	2	10D	NUT, 3/8"NC	DADO
8	76014323	1	60F	WIRE	FILO
9	70928654	1	120M	CLAMP	MORSETTO COLLARE
10	73075166	1	500F	THERMOGUARD	SCUDO TERMICO
11	73073844	1	60F	WIRE	FILO
12	04305449	1	75I	SWITCH	INTERRUPTORE
13	-----	1	60F	WIRE(L102(2))	FILO

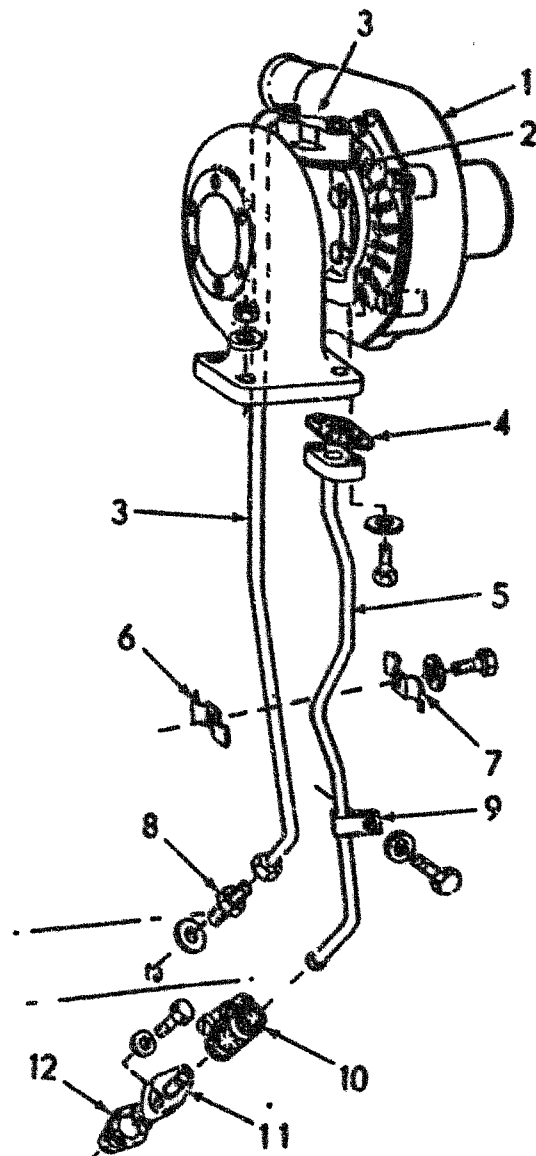
USAGE: SPECIAL EQUIPMENT; USO: EQUIPAGGIAMENTO SPECIALE; USAGE: EQUIPEMENT SPECIAL;
 VERWENDUNG: SONDERAUSRUSTUNG; USO: EQUIPO ESPECIAL

FR11

COLD WEATHER START
 DISPOSITIVI PER AVVIAMENTO A BASSA TEMPERATURA
 DEMARRAGE PAR TEMPS FROID
 KALTWETTERSTART
 ACESORIO DE ARRANQUE POR TIEMPO FRIO

A243

REVISED OCTOBER 1990



ITEM	PART NO.	QTY.	CODE	DESCRIPTION	DENOMINAZIONE
1	-----	1	210T	TURBOCHARGER(A252(2))	TURBOCOMPRESSORE
2	04632113	1	123G	GASKET (SEE PAGE 9/5)	GUARNIZIONE DI TENUTA
3	04772720	1	193T	PIPE	TUBO
	16043921	2	40V	CAPSCREW, M8 X 1.25 X 35MM	VITE
	11198071	2	131R	WASHER,M8	ROSETTA
4	04632117	1	123G	GASKET (SEE PAGE 9/5)	GUARNIZIONE DI TENUTA
5	04779773	1	193T	PIPE	TUBO
	16043621	2	40V	CAPSCREW, M8 X 1.25 X 25MM	VITE
	11198071	2	131R	WASHER,M8	ROSETTA
6	04755436	1	97S	CLAMP, HALF	SEMIMORSETTO
7	04755435	1	97S	CLAMP, HALF	SEMIMORSETTO
	10902421	1	40V	CAPSCREW,M8 X 1 X 20MM	VITE
	11197771	1	131R	WASHER,M6	ROSETTA
8	16500311	1	75B	CONNECTOR	BLOCCHETTO CONNESSIONE
	11270360	1	131R	WASHER (SEE PAGE 9/5)	ROSETTA
9	04033229	1	120M	CLAMP	MORSETTO COLLARE
	15970121	1	40V	CAPSCREW, M10 X 1.25 X 14MM	VITE
	11198371	1	131R	WASHER,M10	ROSETTA
10	04704462	1	59C	SLEEVE	CANNOTTO
	12173890	2	120M	CLAMP	MORSETTO COLLARE
11	04754153	1	70F	FLANGE	FLANGIA
	16043421	2	40V	CAPSCREW, M8 X 1.25 X 20MM	VITE
	11198071	2	131R	WASHER,M8	ROSETTA
12	04754155	1	123G	GASKET	GUARNIZIONE DI TENUTA

T-81408

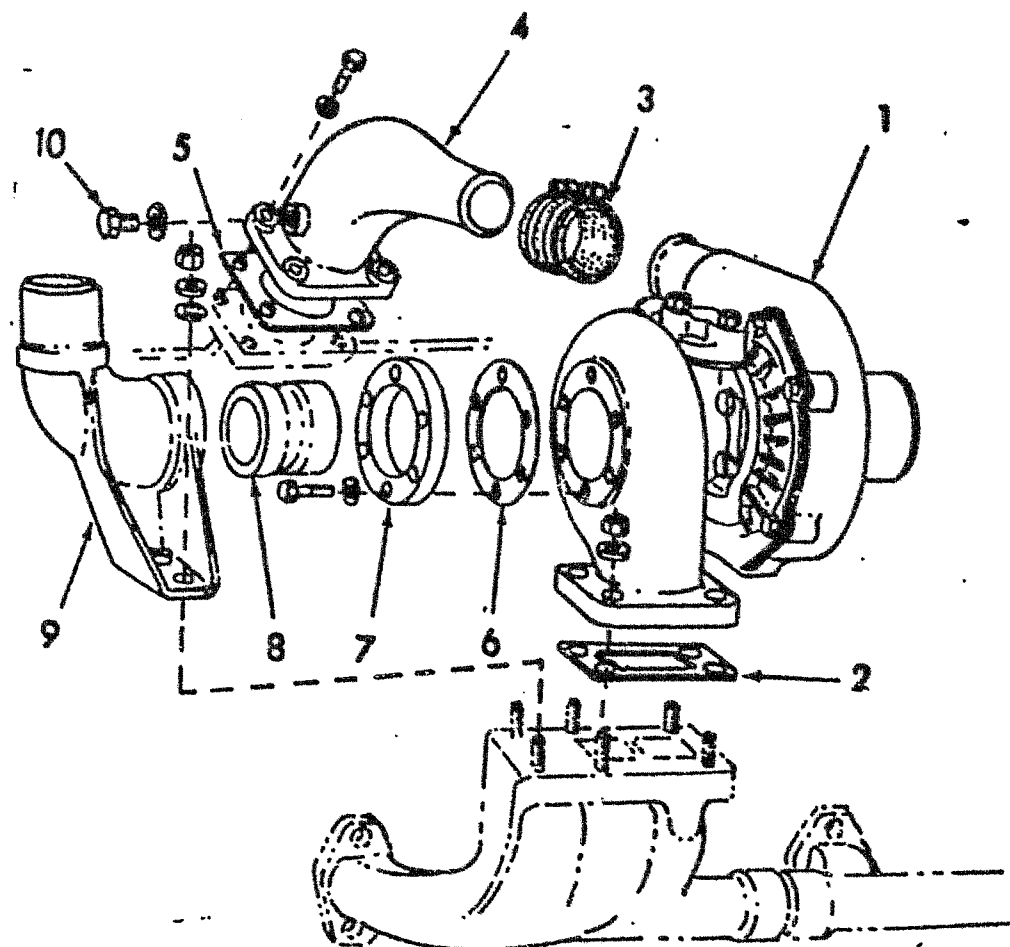
FR11

TURBOCHARGER LUBRICATION LINES
 TUBAZIONI LUBRIFICAZIONE TURBOCOMPRESSORE
 CONDUITES DE GRAISSAGE DU TURBOCOMPRESSEUR
 ABGASTURBOGEBLASE SCHMIERLEITUNGEN
 TUBERIA DE ENGRASE DE TURBOALIMENTADOR

A252

1

Revised August 1988



T-81409

ITEM	PART NO.	QTY.	CODE	DESCRIPTION	DEVOINAZIONE
1	04762527	1	210T	TURBOCHARGER A252(3)(4)	TURBOCOMPRESSORE
	10730521	4	131R	WASHER, M10	ROSETTA
	14048727	4	100	NUT, M10	DADO
2	04632123	1	123G	GASKET (SEE PAGE 9/5)	GUARNIZIONE DI TENUTA
3	04765377	1	30M	SLEEVE, FLEXIBLE	MANICOTTO FLESSIBILE
	12174890	2	120M	CLAMP	MORSETTO COLLARE
4	04754495	1	85G	ELBOW	GOMITO
	16043821	2	40V	CAPSCREW, M8 X 1.25 X 30MM	VITE
	16043621	2	40V	CAPSCREW, M8 X 1.25 X 25MM	VITE
	11198071	4	131R	WASHER, M8	ROSETTA
5	04632108	1	123G	GASKET (SEE PAGE 9/5)	GUARNIZIONE DI TENUTA
6	04636339	1	123G	GASKET (SEE PAGE 9/5)	GUARNIZIONE DI TENUTA
7	04719237	1	750	SPACER	DISTANZIALE
	04799275	6	40V	CAPSCREW,	VITE
	04799587	6	131R	WASHER, M8	ROSETTA
8	04719238	1	45A	RING	ANELLO
9	04719116	1	85G	ELBOW	GOMITO
	14048727	2	100	NUT, M10	DADO
	11198371	2	131R	WASHER, M10	ROSETTA
	10730521	2	131R	WASHER, M10	ROSETTA
10	10305171	1	50T	PLUG, M22 X 1.5	TAPPO
	10279560	1	123G	GASKET	GUARNIZIONE DI TENUTA

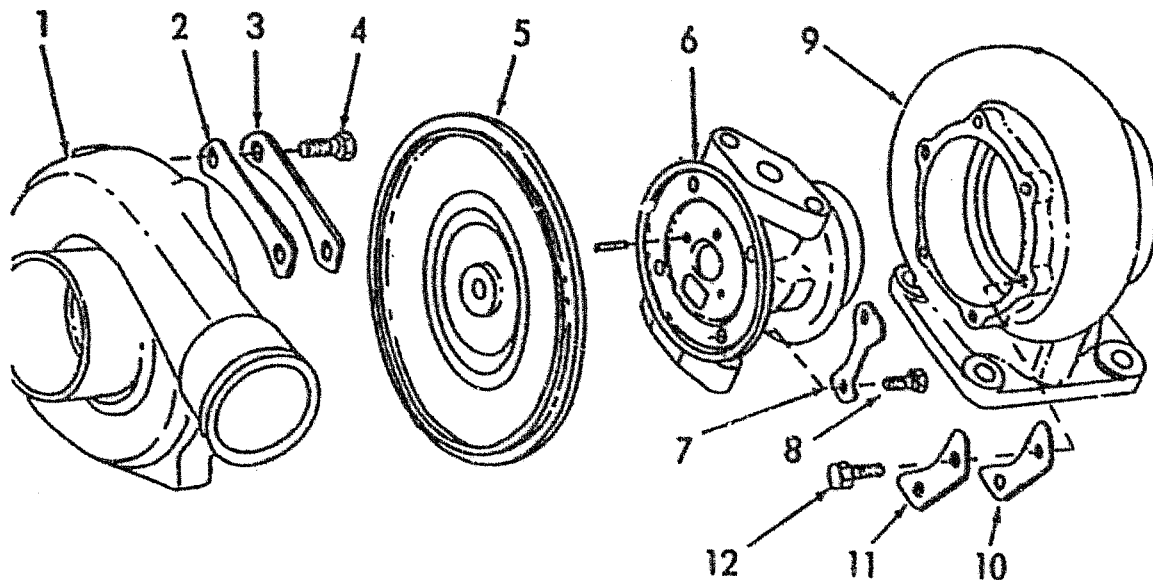
FR11

TURBOCHARGER & MOUNTING
 TURBOCOMPRESSORE E FISSAGGIO
 TURBOCOMPRESSEUR ET SUPPORT
 ABGASTURBOGEBLASE UND EINBAU
 TURBOALIMENTADOR Y SOPORTE

A252

2

Revised August 1988



ITEM	PART NO.	QTY.	CODE	DESCRIPTION	DENOMINAZIONE
1	79029446	1	35S	HOUSING	SCATOLA
2	74060948	3	122H	CLAMP, RETAINING	MORSETTO FISSAGGIO
3	74060949	3	113P	LOCKPLATE	PIASTRINA DI SICUREZZA
4	79025700	6	40V	CAPSCREW	VITE
5	79025703	1	103P	PLATE	PIASTRA
6	79025708	1	35S	HOUSING	SCATOLA
7	79025713	2	113P	LOCKPLATE	PIASTRINA DI SICUREZZA
8	79029448	4	40V	CAPSCREW	VITE
9	79029451	1	35S	HOUSING	SCATOLA
10	74059990	3	122H	CLAMP, RETAINING	MORSETTO FISSAGGIO
11	74059991	3	113P	LOCKPLATE	PIASTRINA DI SICUREZZA
12	79025717	6	40V	CAPSCREW	VITE

T-81412

FR11

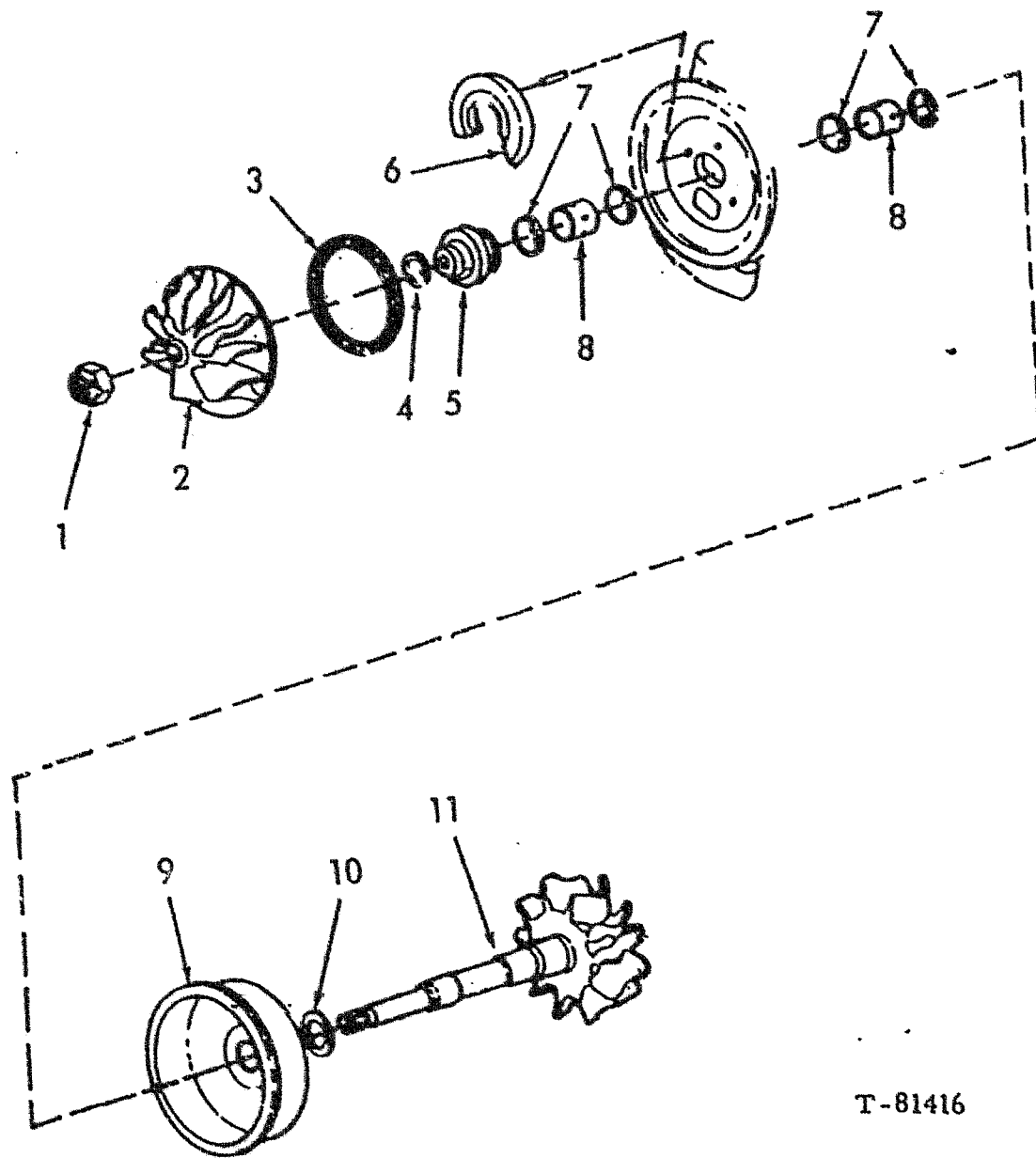
TURBOCHARGER HOUSING
 CORPO TURBOCOMPRESSORE
 CARTER DU TURBOCOMPRESSEUR
 ABGASTURBOGEBLASE GEHAUSE
 CAJA DEL TURBOALIMENTADOR

A252

3

Added August 1988

A252(4)



T-81416

ITEM	PART NO.	QTY.	CODE	DESCRIPTION	DENOMINAZIONE
1	79025701	1	257C	LOCKNUT	CONTRODADO
2	79029447	1	160R	WHEEL	RUOTA
3	79025704	1	49A	RING, INSULATING	ANELLO ISOLANTE
4	74059984	1	45A	RING	ANELLO
5	74059988	1	180C	COLLAR	COLLARE
6	74060939	1	340C	BEARING	CUSCINETTO
7	74060726	4	56A	RING, RETAINING	ANELLO DI RITEGNO
8	74060935	2	340C	BEARING	CUSCINETTO
9	79025714	1	79F	SHROUD	FODERA
10	74060936	1	45A	RING	ANELLO
11	79029449	1	160R	WHEEL	RUOTA
12	79025721	1	500I	REPAIR KIT	CORREDO DI RIPAR.
	600L			INCLUDES ITEM(S)11,3,4, 6-8,10 & ITEMS 2-4,7, 8,10-12 ON A252(3)	INCLUDE PARTIC.(1)
13	79029445	1	500I	REPAIR KIT	CORREDO DI RIPAR.
	600L			INCLUDES ITEM(S)11-11 & ITEMS 5-8 ON A252(3)	INCLUDE PARTIC.(1)

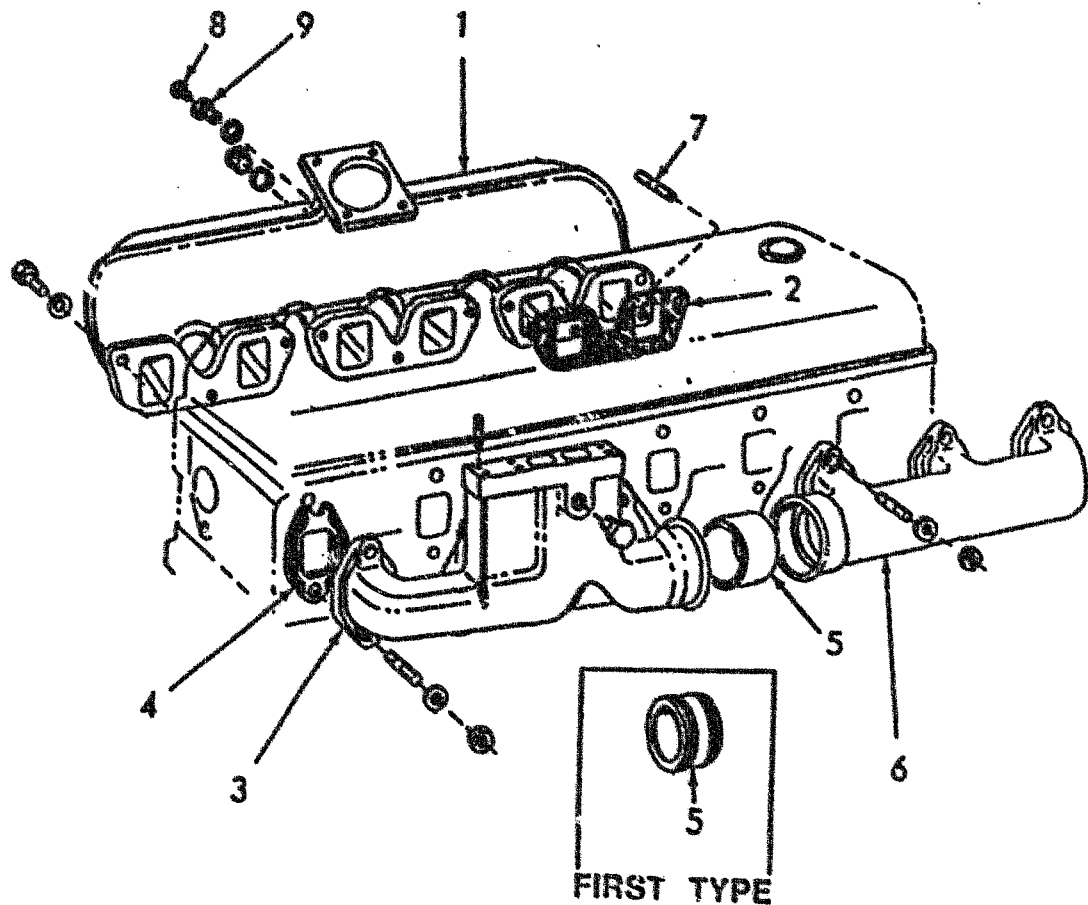
FR11

TURBOCHARGER COMPONENTS
 COMPONENTI TURBOCOMPRESSORE
 ORGANES DU TURBOCOMPRESSEUR
 ABGASTURBOGEBLASE BESTANDTEILE
 COMPONENTES DEL TURBOALIMENTADOR

A252

4

Added August 1988



ITEM PART NO. QTY. LEX. DESCRIPTION

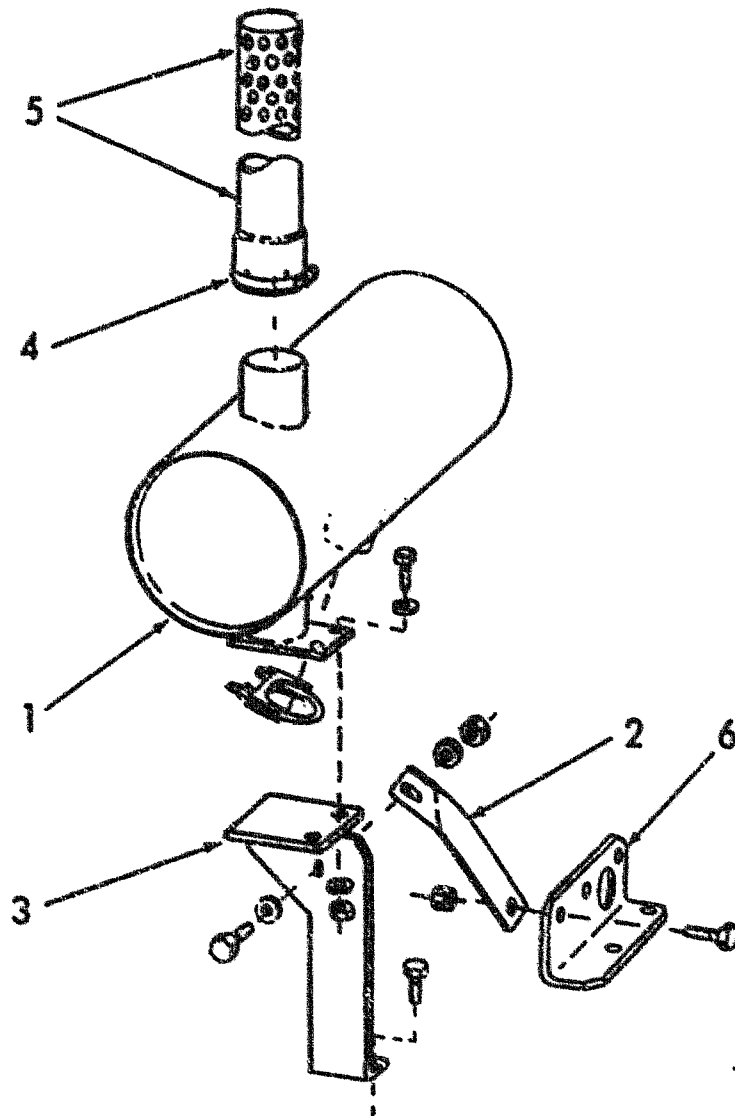
1	04786899	1	225C	MANIFOLD, INTAKE
			602A	PRIOR TO ENG. S/N 062942
	04801921	1	225C	MANIFOLD, INTAKE
			602B	ENGINE S/N 082942 & UP
	04753563	1	50T	PLUG
	16550760	1	123G	GASKET
	16043421	9	40V	CAPSCREW, M8 X 1.25 X 20MM
	10519601	9	131R	WASHER, M8
2	04776544	3	123G	GASKET (SEE PAGE 9/5)
3	04754672	1	230C	MANIFOLD, EXHAUST
			600G	FRONT
	04723150	1	50T	PLUG
	04754566	3	210P	STUD, M10
	04799276	6	210P	STJD, M8
	10519611	6	131R	WASHER, M8
	14048227	6	10D	NUT, M8
4	04813566	6	123G	GASKET (SEE PAGE 9/6)
5	04631051	1	193T	PIPE
			602A	PRIOR TO ENGINE NO. 105708
	04813001	1	193T	PIPE
			602B	ENGINE NO. 105708-UP
	04631052	4	49A	RING, INSULATING
6	04630430	1	230C	MANIFOLD, EXHAUST
			600H	REAR
	04799276	6	210P	STUD, M8
	10519611	6	131R	WASHER, M8
	14048227	6	10D	NUT, M8
7	13543321	1	210P	STUD, M8 X 1.25 X 36MM
8	11903011	1	50T	PLUG
9	04663081	1	20R	FITTING
	16550760	1	123G	GASKET

FR11

INTAKE & EXHAUST MANIFOLDS

A254

REVISED OCTOBER 1990



ITEM PART NO. QTY. LEX. DESCRIPTION

1	73069095	1	160S	MUFFLER
	76009650	1	120M	CLAMP
			600R	INCL. HARDWARE
2	73076342	1	14B	STRAP
	70921566	2	40V	CAPSCREW, 5/16"NC X 1"
	70677005	3	131R	WASHER
	70933622	2	10D	NUT, 5/16"NC
3	a.76011440	1	230S	BRACKET, MOUNTING
	b.73070127	1	230S	BRACKET, MOUNTING
	16044231)	2	40V	CAPSCREW
	70921076	2	40V	CAPSCREW, 3/8"NC X 1-1/4"
	70677006	4	131R	WASHER, 3/8"
	70933623	2	10D	NUT, 3/8"NC
4	76009820	1	120M	CLAMP
			600R	INCL. HARDWARE
5	76011437	1	206T	TUBE
6	76012009	1	80M	BRACKET
	16043221	2	40V	CAPSCREW, M8 X 16
	10516671	2	132R	LOCKWASHER

a. Units with Morelli Air Compressor
 b. Units with Bendix Air Compressor

T-81406

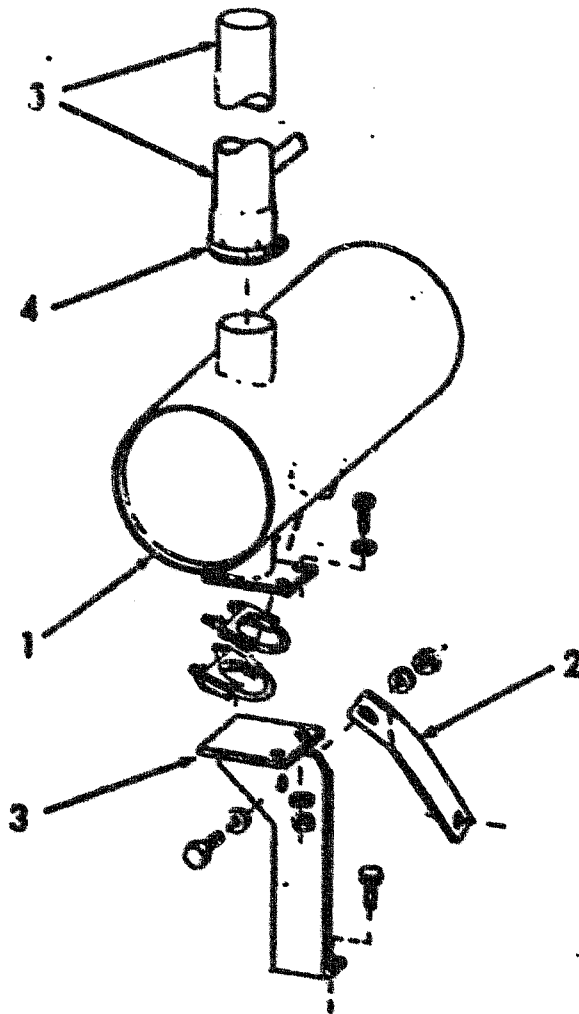
FR11B

MUFFLER

A256

1

REVISED OCTOBER 1990



ITEM	PART NO.	QTY.	CODE	DESCRIPTION	DENOMINAZIONE
1	73139021	1	160S	MUFFLER	SILENZIATORE
	73046855	2	120M	CLAMP	MORSETTO COLLARE
2			600R	INCL. HARDWARE	INCL. VITERIA
	73076342	1	14B	STRAP	BANDELLA
	70921566	2	40V	CAPSCREW, 5/16"NC X 1"	VITE
	70677005	3	131R	WASHER	ROSETTA
	70933622	2	10D	NUT, 5/16"NC	DADO
3	73070127	1	230S	BRACKET, MOUNTING	STAFFETTA FISSAGGIO
	16044230	2	40V	CAPSCREW	VITE
	70927173	2	40V	CAPSCREW, 3/8"NC X 1-1/8"	VITE
	70677006	4	131R	WASHER, 3/8"NC	ROSETTA
4	70933623	2	10D	NUT, 3/8"NC	DADO
	70936090	1	120M	CLAMP	MORSETTO COLLARE
			600R	INCL. HARDWARE	INCL. VITERIA
5	73139020	1	206T	TUBE	TUBO

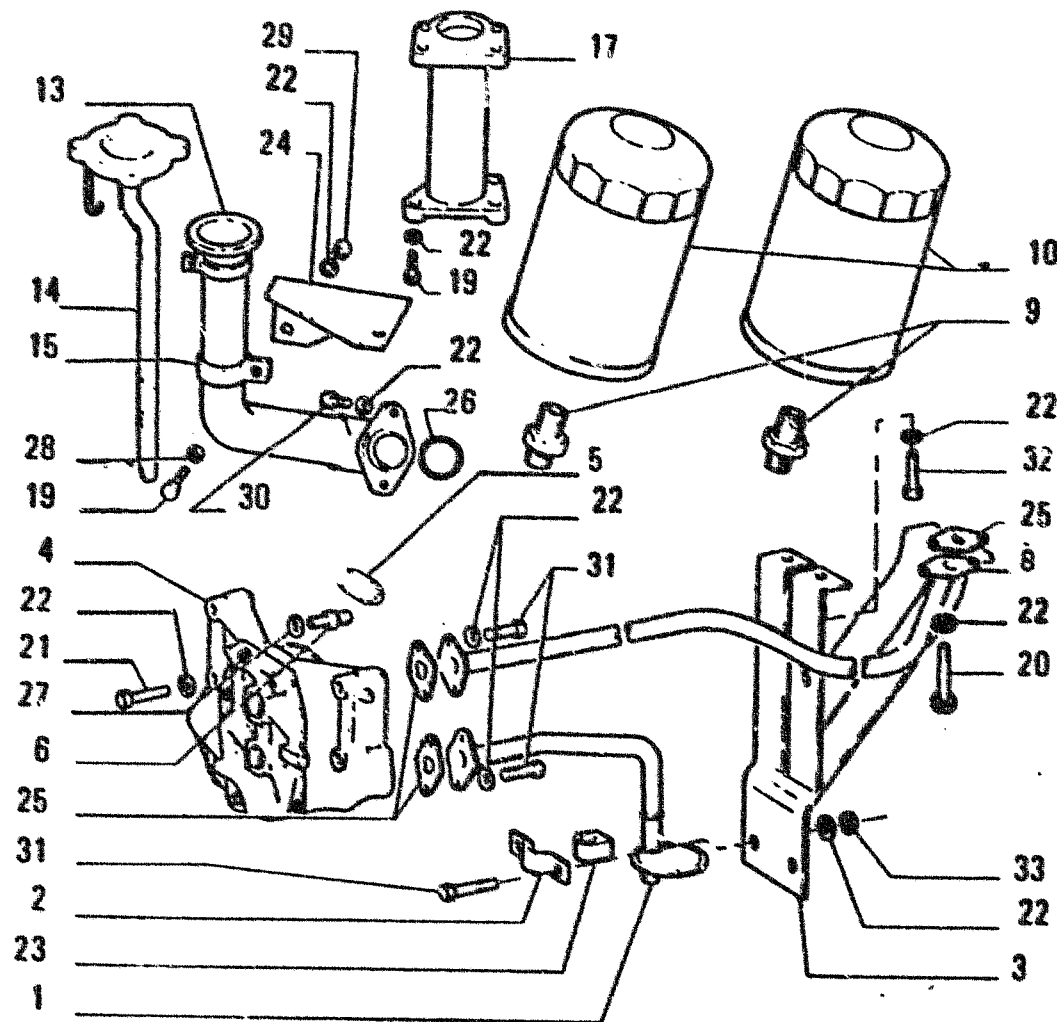
USAGE: SPECIAL EQUIPMENT FOR UNITS EQUIPPED WITH ASPIRATOR; USO: PER UNITA CON ASPIRATORE;
 USAGE: EQUIPEMENT SPECIAL POUR ENGINES D'UN ASPIRATEUR; VERWENDUNG: SONDERAUSRUSTUNG FUR
 MASCHINEN MIT SAUGER; USO: EQUIPO ESPECIAL PARA MAQUINAS CON ASPIRADOR

FR11

MUFFLER
 SILENZIATORE
 POT D'ECHAPPEMENT
 SCHALLDAMPFER
 SILENCIADOR

A256

2



ITEM	PART NO.	QTY.	CODE	DESCRIPTION	DENOMINAZIONE
1	04779689	1	206T	TUBE	TUBO
2	04719705	1	89G	CLIP	GRAFFETTA
3	04739213	1	80M	BRACKET	MENSOLA
4	04790863	1	155P	PUMP(A302)	POMPA
5	04605220	1	40G	JET	GETTO
6	04785501	1	20R	FITTING	RACCORDO
8	04773064	1	206T	TUBE	TUBO
9	04782453	2	20R	FITTING	RACCORDO
10	04787410	2	20E	FILTER ELEMENT	ELEMENTO FILTRANTE
13	04753137	1	206T	TUBE	TUBO
14	04753139	1	91A	DIPSTICK	ASTA DI LIVELLO
15	04731200	1	180C	COLLAR	COLLARE
17	04620944	1	102A	CASING, TUBE	ASTUCCIO TUBO
19	16043621	1	40V	CAPSCREW, 8 X 1.25 X 25	VITE
20	16043921	2	40V	CAPSCREW, 8 X 1.25 X 35	VITE
21	16044321	4	40V	CAPSCREW, 8 X 1.25 X 55	VITE
22	11193871	17	132R	LOCKWASHER	ROSETTA DI SICUREZZA
23	04719706	1	59C	SLEEVE	CANNOTTO
24	04753141	1	80M	BRACKET	MENSOLA
25	04617482	3	133R	SEAL	GUARNIZIONE TENUTA
26	00599777	1	133R	SEAL	GUARNIZIONE TENUTA
27	00561293	1	55A	O-RING	ANELLO DI TENUTA
28	12646701	2	131R	WASHER	ROSETTA
29	16100811	1	10D	NUT	DADO
30	16044421	2	40V	CAPSCREW, 6 X 1.25 X 60	VITE
31	16043421	6	40V	CAPSCREW, 8 X 1.25 X 20	VITE
32	16043221	4	10D	NUT	DADO
33	14043217	4	10D	NUT	DADO
34	10519601	2	131R	WASHER	ROSETTA

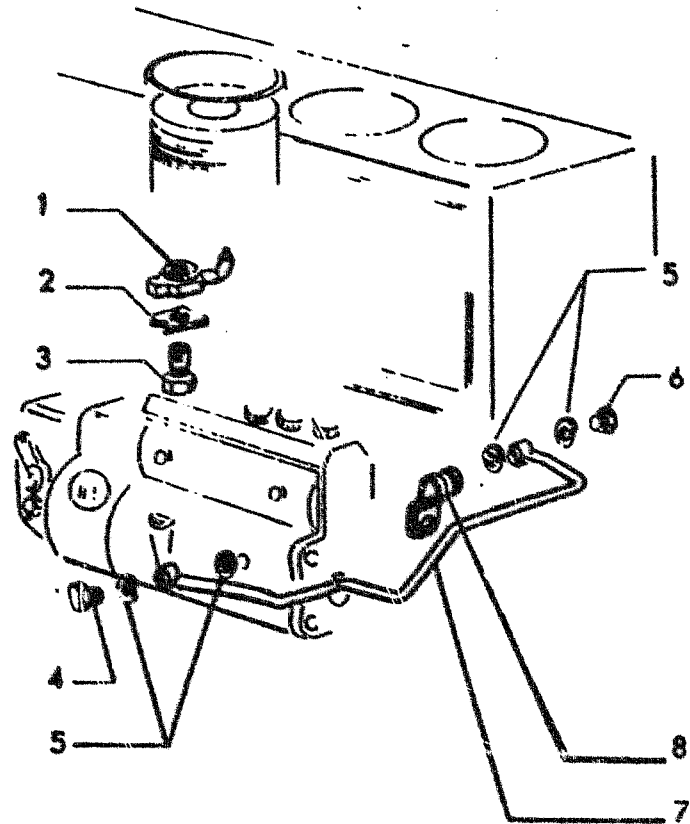
FR11

OIL PUMPS FILTER & PIPING
 FILTRO POMPE OLIO E TUBAZIONI
 FILTRE ET CONDUITE DES POMPES
 OLPUMPENFILTER UND LEITUNGEN
 FILTRO DE LAS BOMBAS DE ACEITE Y TUBERIA

A301

1

A301141



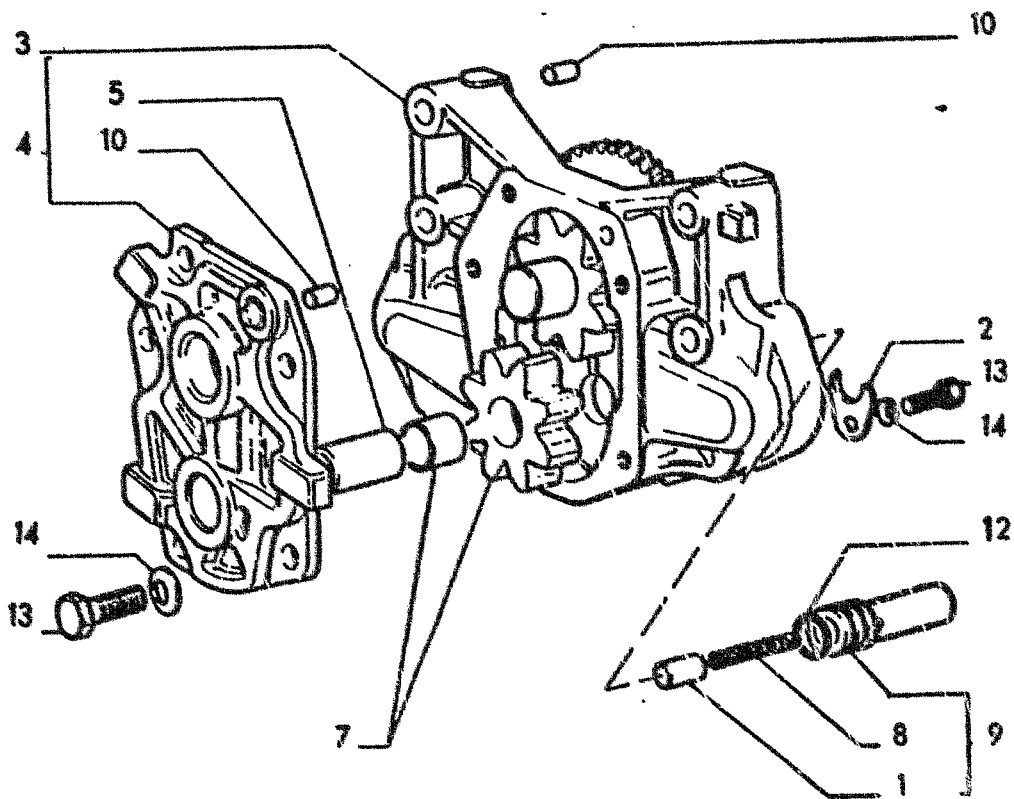
ITEM	PART NO.	QTY.	CODE	DESCRIPTION	DENOMINAZIONE
1	04764577	6	148P	NOZZLE	POLVERIZZATORE
2	04763440	6	113P	LOCKPLATE	PIASTRINA DI SICUREZZA
3	04763439	6	50T	PLUG	TAPPO
4	01390713	1	50T	PLUG	TAPPO
5	10260160	4	133R	SEAL	GUARNIZIONE TENUTA
6	11903817	1	50T	PLUG	TAPPO
7	04794958	1	206T	TUBE	TUBO
8	04617069	1	89G	CLIP	GRAFFETTA

FR11

INJECTION LUBRICATION LINE

A301

4

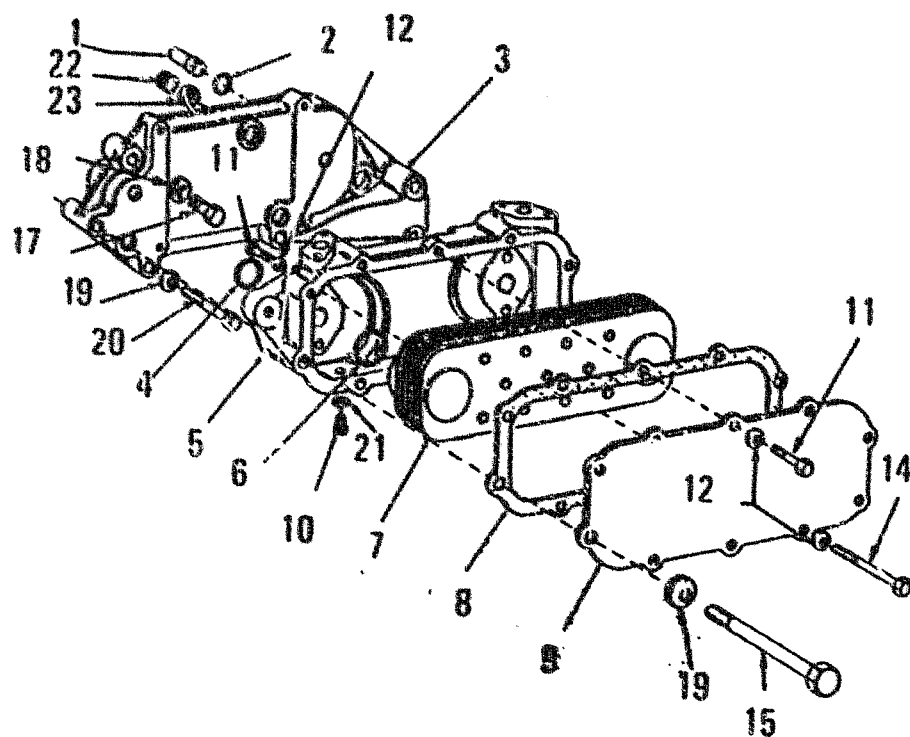


ITEM	PART NO.	QTY.	CODE	DESCRIPTION	DEHOMINAZIONE
-	04790863	1	153P	PUMP, OIL	POMPA OLIO
			603L	INCLUDES ITEM(S) 1-14	INCLUDE PARTIC.(1)
1	04587730	1	10V	VALVE	VALVOLA
2	04613353	1	86F	YOKE	FORCELLA
3	04770253	1	300C	BODY	CORPO
4	04770254	1	265C	COVER	COPERCHIO
5	04770259	1	80P	PIN	PERNO
7	04770262	1	50I	GEAR	INGRANAGGIO
8	04755015	1	100M	SPRING	MOLLA
9	04755016	1	10V	VALVE	VALVOLA
10	10839610	3	90G	DOWEL	GRANO
12	14457281	1	55A	O-RING	ANELLO DI TENUTA
13	16043421	6	40V	CAPSCREW, 8 X 1.25 X 20	VITE
14	11198071	6	132R	LOCKWASHER	ROSETTA DI SICUREZZA

FR11

PUMP, ENGINE OIL
 POMPE, OLIO MOTORE
 POMPES HUILE MOTEUR
 PUMPEN MOTOROL
 BOMBAS ACEITE MOTOR

A302

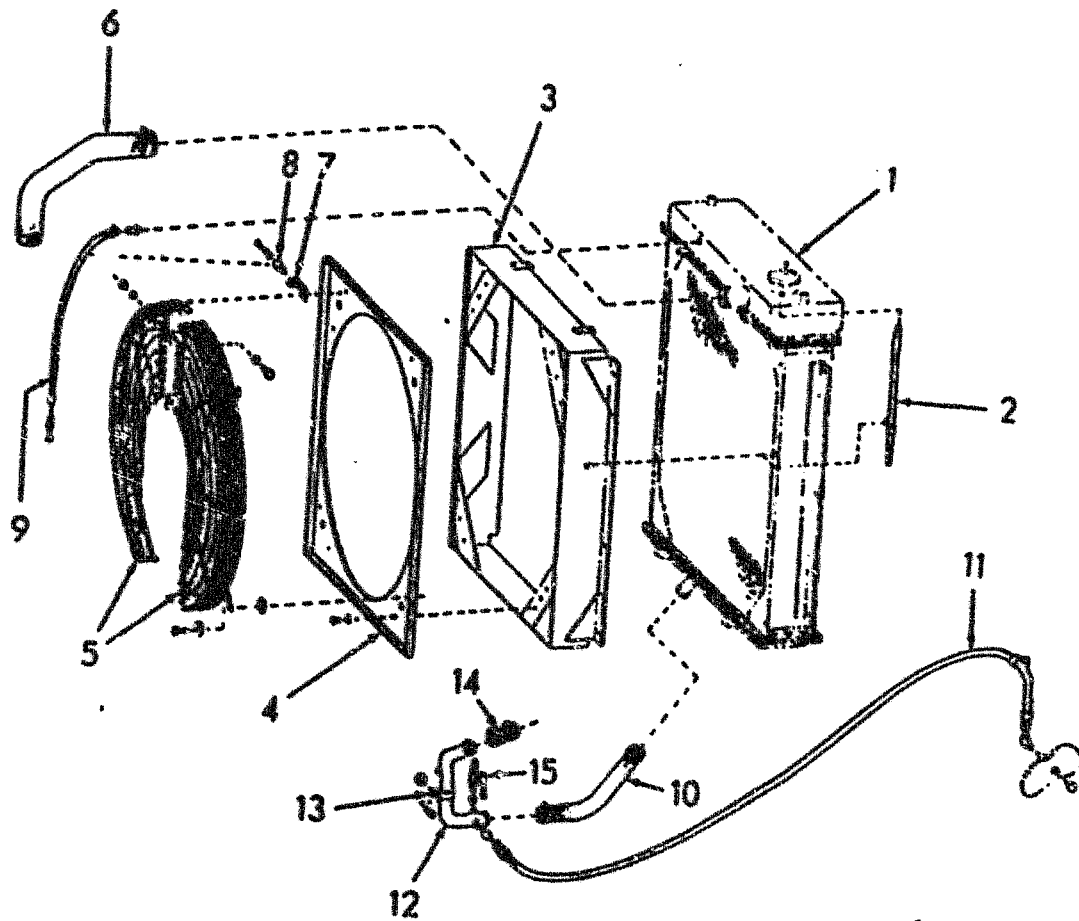


ITEM	PART NO.	QTY.	CODE	DESCRIPTION	DENOMINAZIONE
1	04724554	1	206T	TUBE	TUBO
2	14457481	3	55A	O-RING	ANELLO DI TENUTA
3	04763099	1	300S	SUPPORT	SUPPORTO
4	14457581	2	55A	O-RING	ANELLO DI TENUTA
5	04770208	1	80C	CASE	CARASSA
6	14458281	2	55A	O-RING	ANELLO DI TENUTA
7	04755011	1	23S	EXCHANGER, HEAT	SCAMBIATORE DI CALORE
8	04724223	1	133R	SEAL	GUARNIZIONE TENUTA
9	04755010	1	265C	COVER	COPERCHIO
10	04724588	1	50T	PLUG	TAPPO
11	16043221	5	40V	CAPSCREW, 8 X 1.25 X 16	VITE
12	11193871	13	132R	LOCKWASHER	ROSETTA DI SICUREZZA
14	16044821	4	40V	CAPSCREW, 8 X 1.25 X 80	VITE
15	15971921	1	40V	CAPSCREW, 10 X 1.25 X 105	VITE
17	15540721	3	40C	CAPSCREW, 12 X 1.25 X 45	CANNA
18	11198671	3	132R	LOCKWASHER	ROSETTA DI SICUREZZA
19	11198371	3	132R	LOCKWASHER	ROSETTA DI SICUREZZA
20	11234721	1	40V	CAPSCREW, 10X 1.25 X 45	VITE
	11306921	1	40V	CAPSCREW, 10X 1.25 X 30	VITE
21	10260060	1	123G	GASKET	GUARNIZIONE DI TENUTA
22	10273111	4	50T	PLUG	TAPPO
23	10263160	4	133R	SEAL	GUARNIZIONE TENUTA

FR11

OIL COOLER, ENGINE
 RAFFREDDAMENTO OLIO MOTORE
 REFROIDISSEUR D'HUILE MOTEUR
 MOTOROLKUEHLER
 ENFRIADOR DE ACEITE MOTOR

A307



ITEM	PART NO.	QTY.	LEX.	DESCRIPTION	
1	-----	1	19R	RADIATOR (A401(2))	
	70921078	6	40V	CAPSCREW, 3/8"NC X 1-1/4"	
	70877008	6	131R	WASHER, 3/8"	
	2	73070101	1	192T	HOSE
				600X	UNITS PRIOR TO 530211
		76014938	1	192T	HOSE
				600Y	UNIT NO. 530211 AND UP
	10441390	2	120M	CLAMP	
		OR			
	70928042	2	120M	CLAMP	
73075208		1	79F	SHROUD	
3	15925601	8	40V	CAPSCREW	
	70911114	8	131R	WASHER	
	70927373	4	40V	CAPSCREW, 5/16"NC X 7/8"	
	70929662	4	131R	WASHER	
	4	76010345	1	265C	COVER
		70922300	7	40V	CAPSCREW, 3/8"NC X 5/8"
		70061658	7	131R	WASHER, 3/8"
		73074582	2	115G	GUARD
5	70921078	6	40V	CAPSCREW, 3/8"NC X 1-1/4"	
	70677008	4	131R	WASHER, 3/8"	
	70061658	4	131R	WASHER, 3/8"	
	70928188	4	131R	WASHER	
	70933623	2	10D	NUT, 3/8"	
	6	76010346	1	192T	HOSE
		12174790	2	120M	CLAMP
				600X	PRIOR TO UNIT NO. 530226
		79083847	2	120M	CLAMP
			600Y	UNIT NO. 530226 AND UP	
7	73073797	1	64L	STRIP	
	70922300	1	40V	CAPSCREW 3/8"NC X 3/4"	
	70929158	1	131R	WASHER, 3/8"	
	70061658	1	131R	WASHER, 3/8"	

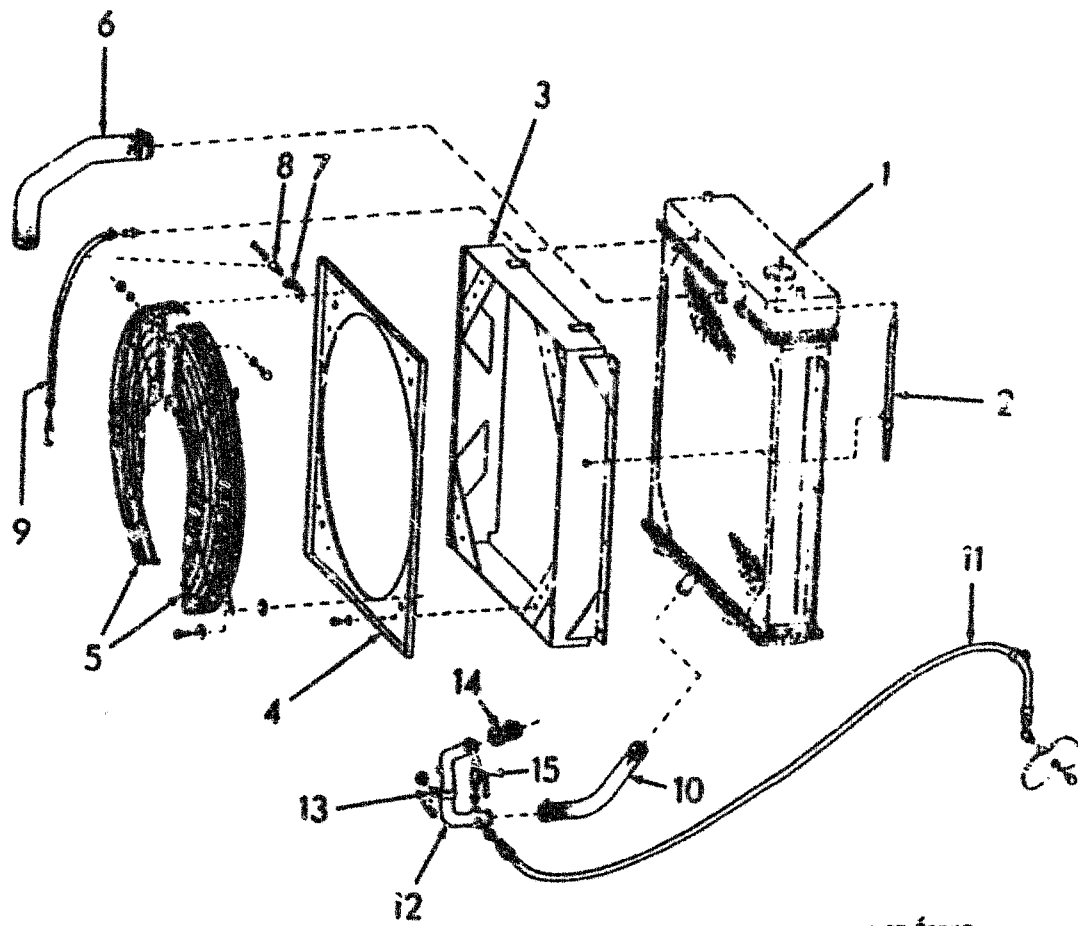
FR11

RADIATOR HOSES & FAN GUARD

A401

1

REVISED NOVEMBER 1990



ITEM PART NO. QTY. LEX. DESCRIPTION

8	79011407	1	120M	CLAMP
	70922300	1	40V	CAPSCREW, 3/8"NC X 3/4"
	70677068	1	131R	WASHER, 3/8"
9	-----	1	192T	HOSE (22" LONG)
			600V	REFER TO ITEM 16
	12179490	2	120M	CLAMP
			600X	UNITS PRIOR TO 530226
	79084752	2	120M	CLAMP
			600Y	UNIT NO. 530226 AND UP
	70934707	1	28N	NIPPLE, 1/4"NPT
	73075878	1	28N	NIPPLE, M10 X 6MM
	10260160	1	131R	WASHER, M10
10	73071032	1	192T	HOSE
	12174790	2	120M	CLAMP
			600X	PRIOR TO UNIT NO. 530226
	79083847	2	120M	CLAMP
			600Y	UNIT NO. 530226 AND UP
11	73076080	1	192T	HOSE
	70919063	2	20R	FITTING, 3/4"
	70920690	1	85G	ELBOW, 3/8"NPT
	70920333	1	56T	PLUG, DRAIN, 3/8"NPT
	70928656	1	120M	CLAMP
12	73075585	1	206T	TUBE ASSY.
13	73070289	1	89G	CLIP
	73073290	1	75D	SPACER
	11390531	1	40V	CAPSCREW, M16 X 1.5 X 40MM
	10571571	1	131R	WASHER
14	73070287	1	192T	HOSE
			600X	PRIOR TO UNIT NO. 530226
	78014937	1	192T	HOSE
			600Y	UNIT NO. 530226 AND UP
	12174090	2	120M	CLAMP
			600X	UNITS PRIOR TO 530226
	79083845	2	120M	CLAMP
			300Y	UNIT NO. 530226 AND UP
15	79044798	1	150R	COCK
	79047332	1	75B	CONNECTOR
16	70922327	-	192T	HOSE (25')
			600P	AS REQUIRED

FR11

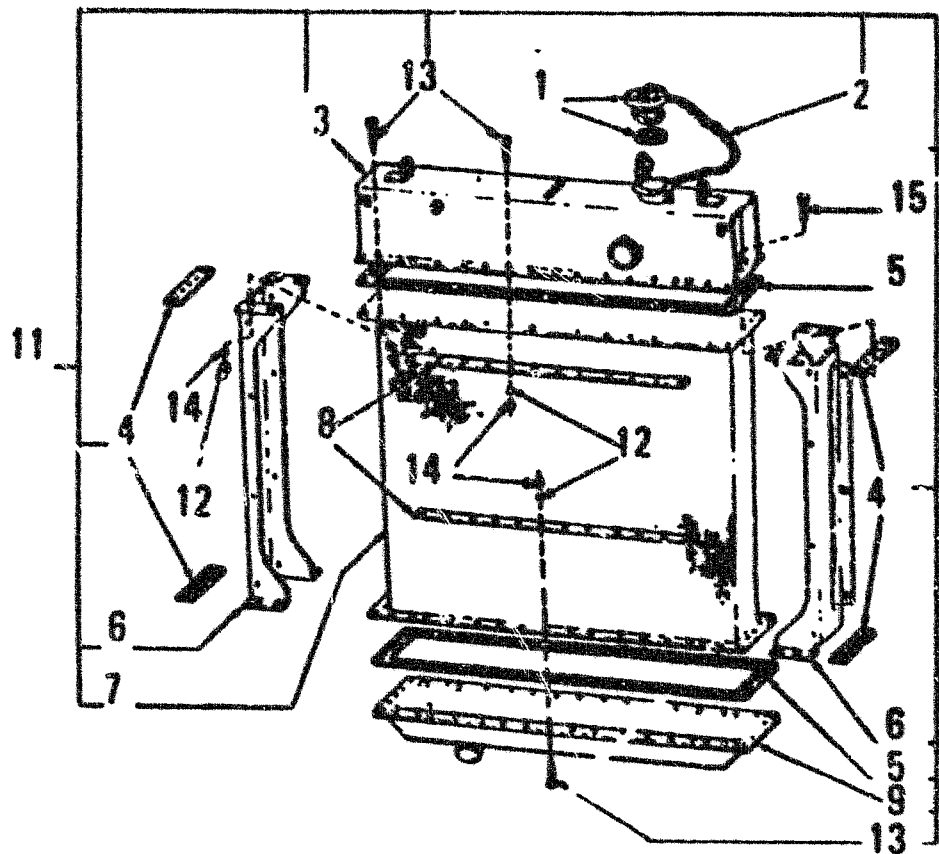
RADIATOR HOSES & FAN GUARD

A401

1

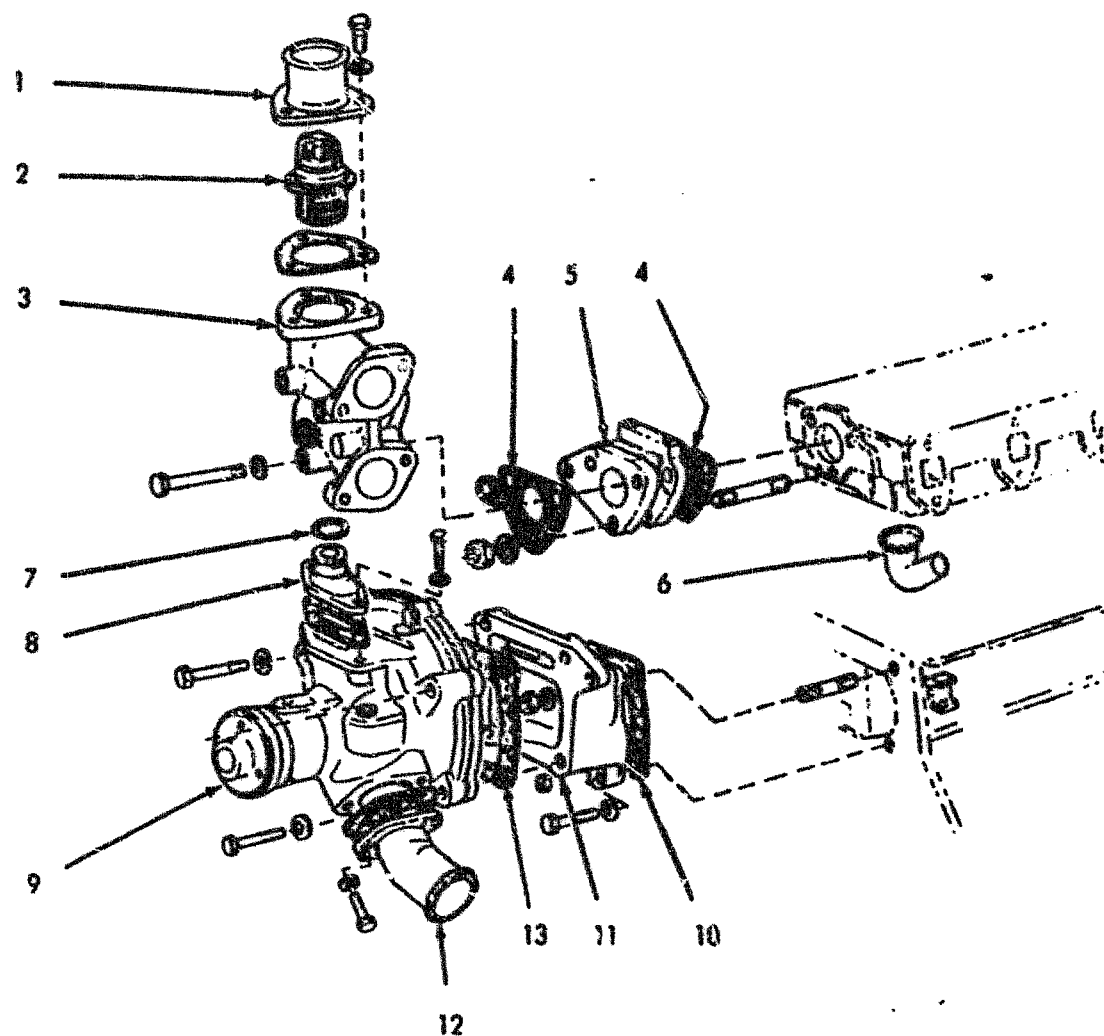
REVISED NOVEMBER 1990

A401(2)



ITEM	PART NO.	QTY.	CODE	DESCRIPTION	DENOMINAZIONE
1	76008576	1	54T	CAP, FILLER	TAPPO DI INTRODUZIONE
3	76008571	1	115S	TANK	SERBATOIO
4	76008573	4	14B	STRAP	BANDELLA
5	76008570	2	123G	GASKET	GUARNIZIONE DI TENUTA
6	76008572	2	50F	PANEL, SIDE	FIANCATA
7	76008574	1	60N	CORE	NUCLEO
8	76008575	4	14B	STRAP	BANDELLA
9	76008569	1	115S	TANK	SERBATOIO
11	79057105	1	19R	RADIATOR	RADIATORE
12	16100821	84	10D	NUT	DADO
13	16043631	84	40V	CAPSCREW, 8 X 1.25 X 25	VITE
14	10571779	84	132R	LOCKWASHER	ROSETTA DI SICUREZZA
15	16043831	20	40V	CAPSCREW, 8 X 1.25 X 30	VITE

FR11	RADIATOR ASSEMBLY RADIATORE RADIATEUR KUEHLER RADIADOR	A401	2



T-61752

ITEM	PART NO.	QTY.	CODE	DESCRIPTION	DENOMINAZIONE
1	04661543	1	193T	PIPE	TUBO
	16043621	3	40V	CAPSCREW, M8 X 1.25 X 25MM	VITE
	14496501	3	132R	LOCKWASHER	ROSETTA DI SICUREZZA
2	04703088	1	96T	THERMOSTAT	TERMOSTATO
	04599809	1	123G	GASKET	GUARNIZIONE DI TENUTA
3	04794961	1	90B	UNION	BOCCHETTORE
	14325201	1	50T	PLUG, M40	TAPPO
	15971621	2	40V	CAPSCREW, M10 X 1.25 X 90MM	VITE
	15972721	1	40V	CAPSCREW, M10 X 1.25 X 145MM	VITE
	11190571	3	132R	LOCKWASHER	ROSETTA DI SICUREZZA
4	04728639	2	123G	GASKET (SEE PAGE 9/5)	GUARNIZIONE DI TENUTA
5	04728640	1	75D	SPACER	DISTANZIALE
	13449521	3	210P	STUD, M10 X 1.25 X 25MM	PRIGIONIERO
	12164740	3	10D	NUT, M10	DADO
	11198371	3	131R	WASHER, M10	ROSETTA
6	04699155	6	20D	DEFLECTOR	DEFLETTORE
7	14463281	1	55A	O-RING (SEE PAGE 9/6)	ANELLO DI TENUTA
8	04774405	1	193T	PIPE	TUBO
	04770435	1	123G	GASKET	GUARNIZIONE DI TENUTA
	16043421	2	40V	CAPSCREW, M8 X 1.25 X 20MM	VITE
	14496501	2	132R	LOCKWASHER	ROSETTA DI SICUREZZA
9	-----	1	152P	PUMP, WATER (A403, A)	POMPA ACQUA
	15972024	3	40V	CAPSCREW	VITE
	15971524	1	40V	CAPSCREW	VITE
	11198371	4	131R	WASHER, M10	ROSETTA
10	04599561	1	123G	GASKET	GUARNIZIONE DI TENUTA
11	04626119	1	300S	SUPPORT	SUPPORTO
	15888724	3	40V	CAPSCREW	VITE
	13449910	1	210P	STUD, M10 X 1.25 X 15MM	PRIGIONIERO
	11198371	4	131R	WASHER, M10	ROSETTA
	12164740	1	10D	NUT, M10	DADO

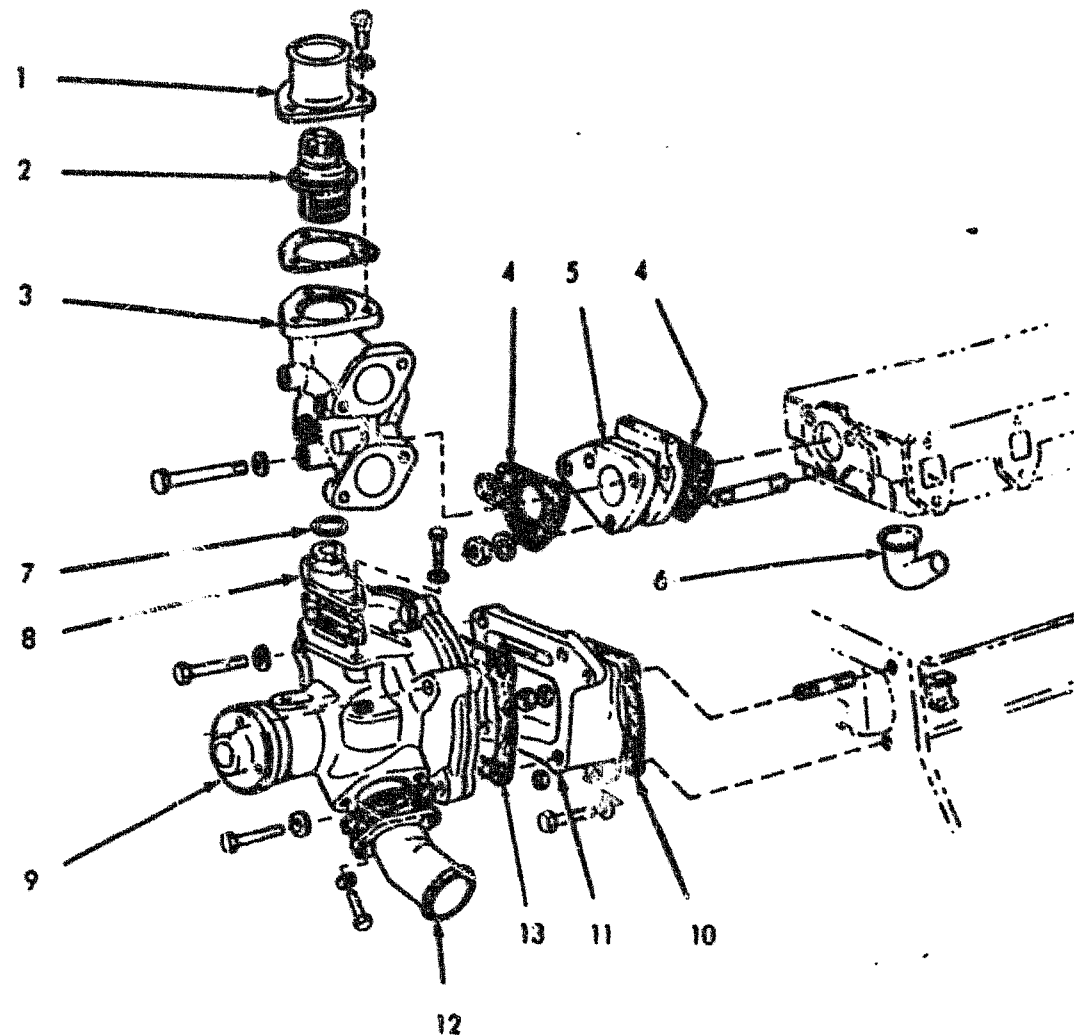
FR11

COOLANT FILTER & LINES
 RAFFREDDAMENTO-FILTRO E TUBAZIONI
 FILTRE DU SYSTEME REFROIDISSEUR ET CONDUITES
 KÜHLMITTELFILTER UND LEITUNGEN
 FILTRO DEL SISTEMA DE ENFRIAMIENTO Y TUBERIA

A402

1

REVISED OCTOBER 1990



T-81752

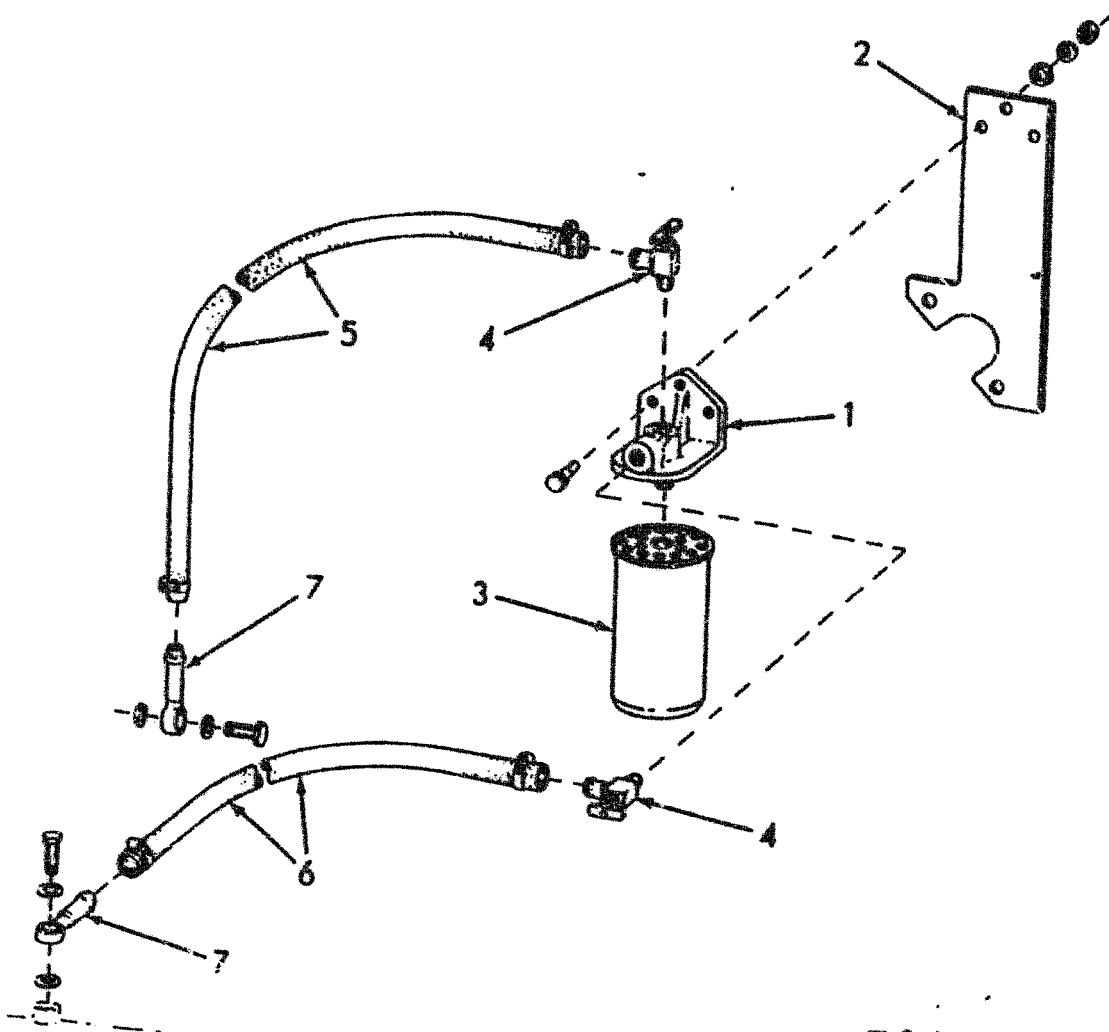
ITEM	PART NO.	QTY.	CODE	DESCRIPTION	DEGNOMINAZIONE
12	04753433	1	193T	PIPE	TUBO
	04599562	1	123G	GASKET	GUARNIZIONE DI TENUTA
	16043421	2	40V	CAPSCREW, M8 X 1.25 X 20MM	VITE
	14496501	2	132R	LOCKWASHER	ROSETTA DI SICUREZZA
13	04658663	1	123G	GASKET	GUARNIZIONE DI TENUTA

FR11

COOLANT FILTER & LINES
 RAFFREDDAMENTO-FILTRO E TUBAZIONI
 FILTRE DU SYSTEME REFRIGERISSEUR ET CONDUITES
 KÜHLMITTELFILTER UND LEITUNGEN
 FILTRO DEL SISTEMA DE ENFRIAMIENTO Y TUBERIA

A402

1



T-84254

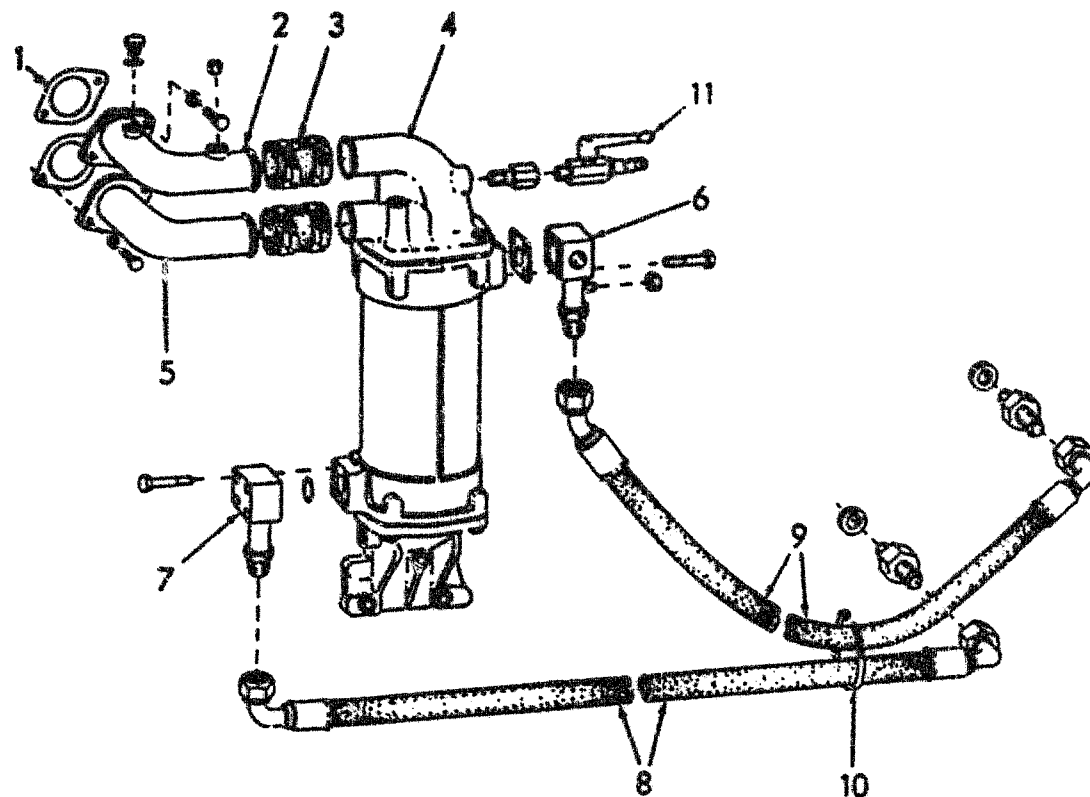
ITEM	PART NO.	QTY.	CODE	DESCRIPTION	DENOMINAZIONE
1	73143978	1	300C	BODY	CORPO
	70921422	3	40V	CAPSCREW, 5/16"NC X 1-1/8"	VITE
	70911987	3	131R	WASHER	ROSETTA
	70904205	3	132R	LOCKWASHER	ROSETTA DI SICUREZZA
	70900366	3	10D	NUT, 5/16"NC	DADO
2	73144755	1	230S	BRACKET, MOUNTING	STAFFETTA FISSAGGIO
3	04681776	1	20E	FILTER ELEMENT	ELEMENTO FILTRANTE
4	70089894	2	149R	VALVE, COCK	RUBINETTO
5	73143975	1	192T	HOSE (28")	TUBO FLESSIBILE
	70921911	2	120M	CLAMP	MORSETTO COLLARE
6	70922330	1	192T	HOSE (35")	TUBO FLESSIBILE
	70921911	2	120M	CLAMP	MORSETTO COLLARE
7	73143974	2	206T	TUBE	TUBO
	10184317	2	21R	UNION, BANJO	RACCORDO ORIENTABILE
	10280060	4	123G	GASKET	GUARNIZIONE DI TENUTA

FR11

COOLANT FILTER & LINES
 RAFFREDDAMENTO-FILTRO E TUBAZIONI
 FILTRE DU SYSTEME REFROIDISSEUR ET CONDUITES
 KÜHLMITTELFILTER UND LEITUNGEN
 FILTRO DEL SISTEMA DE ENFRIAMIENTO Y TUBERIA

A402

2



ITEM PART NO. QTY. LEX. DESCRIPTION

1	38824001	2	123G	GASKET
			602A	PRIOR TO ENGINE NO. 421912
	04854715	2	123G	GASKET
			602B	ENGINE NO. 421912-UP
2	04790839	1	193T	PIPE
	04741955	1	50T	PLUG
	10257060	1	123G	GASKET
	14324911	1	50T	PLUG
			600I	STANDARD EQUIPMENT
				OR
	73152967	1	55T	ADAPTER, 5/8-18 TO M10 X 1.25
			600J	SPECIAL EQUIPMENT
	15970721	2	40V	CAPSCREW, M10X1.25X25MM
	11190571	2	132R	LOCKWASHER
3	10147898	2	192T	HOSE
	12174790	4	120M	CLAMP
			600X	PRIOR TO UNIT NO. 560787
	79088347	4	120M	CLAMP
			600Y	UNIT NO. 560787 AND UP
4	-----	1	25S	EXCHANGER, HEAT (B218(1)(1A))
5	04790837	1	193T	PIPE
	15970721	2	40V	CAPSCREW, M10X1.25X25MM
	11190571	2	132R	LOCKWASHER
6	73137389	1	206T	TUBE
	70921467	1	20C	CAP
	73071935	1	123G	GASKET
	11343830	4	40V	CAPSCREW, M10X1.25X50MM
7	73070138	1	206T	TUBE
	70924416	1	55A	O-RING
	11343830	4	40V	CAPSCREW, M10X1.25X50MM
8	73136470	1	192T	HOSE
			600Q	SEE HOSE PARTS
	76011343	1	75B	CONNECTOR
	10264660	1	123G	GASKET
9	73136472	1	192T	HOSE
			600Q	SEE HOSE PARTS
	76011343	1	75B	CONNECTOR
	10264660	1	123G	GASKET
10	70930871	1	501H	TIE
11	79044798	1	150R	COCK
	76007897	1	20R	FITTING

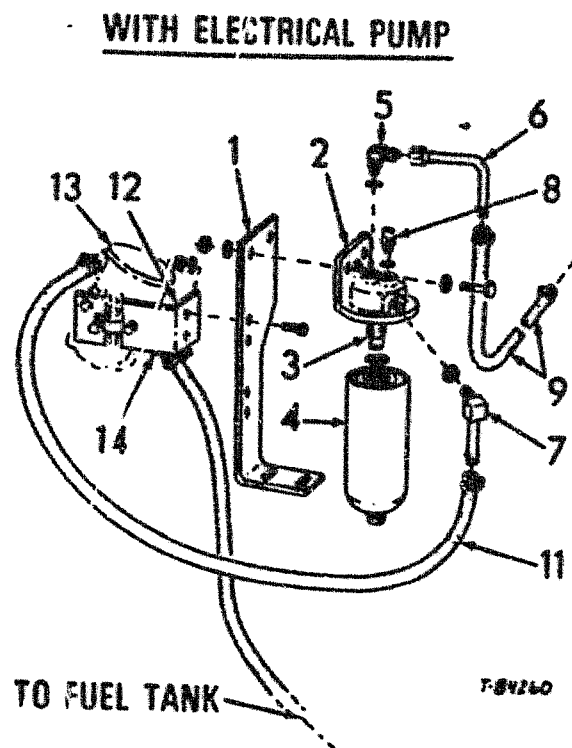
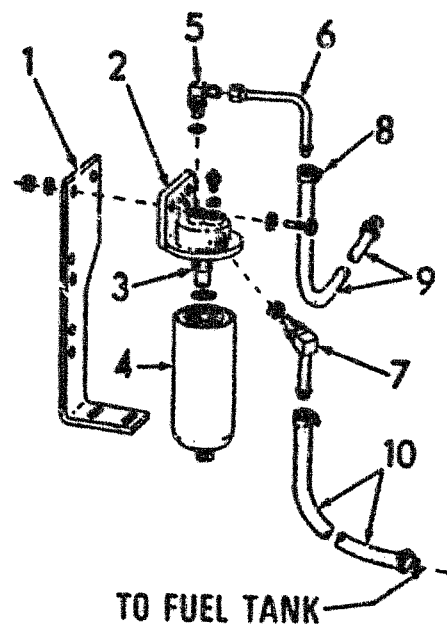
FR11

**TRANSMISSION HEAT
EXCHANGER PIPING**

A402

3

REVISED OCTOBER 1990



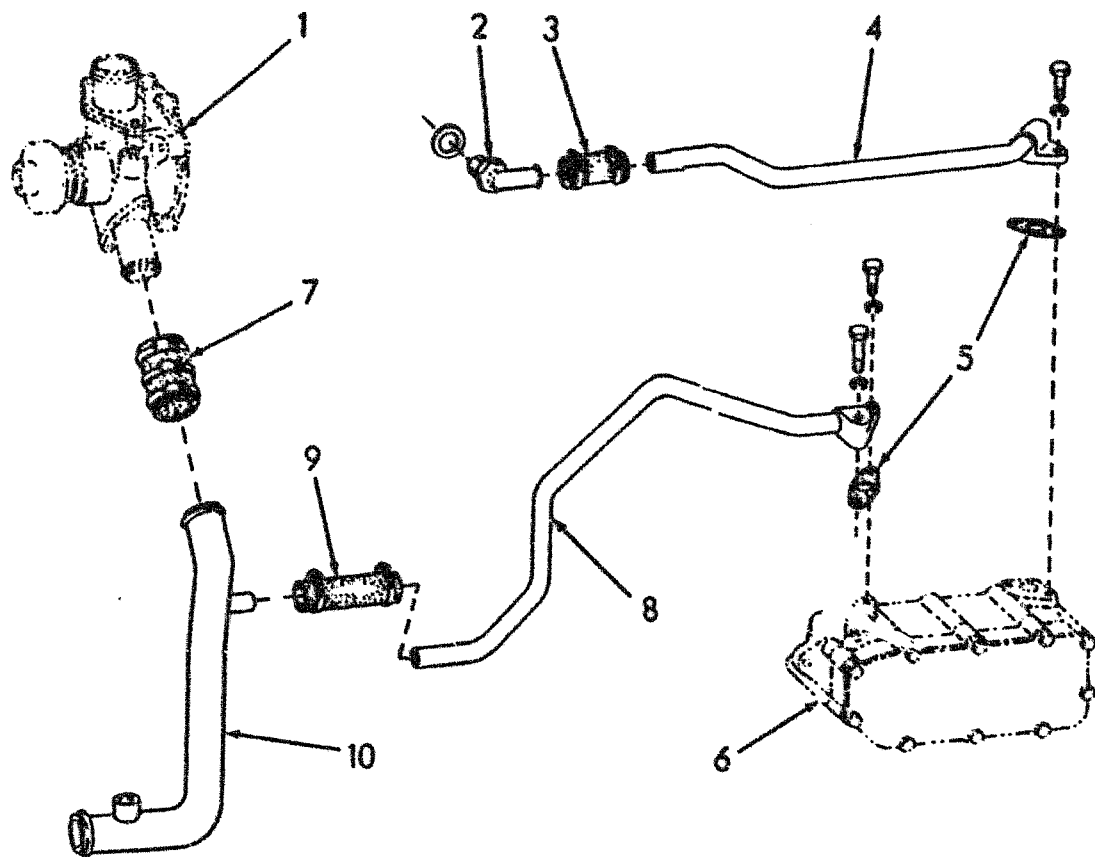
ITEM	PART NO.	QTY.	CODE	DESCRIPTION	DENOMINAZIONE
1	73142052	1	230S	BRACKET, MOUNTING	STAFFETTA FISSAGGIO
	70922763	2	40V	CAPSCREW, 3/8"NC X 1"	VITE
	70929156	2	131R	WASHER	ROSETTA
2	74395419	1	21B	BASE	BASE
	70921569	2	40V	CAPSCREW, 7/16"NC X 1-1/4"	INCLUDE PARTIC.(1) VITE
	70929247	2	131R	WASHER	ROSETTA
	70911027	2	100	NUT, 7/16"NC	DADO
3	74394409	1	55T	ADAPTER	ADATTATORE
4	74394407	1	20E	FILTER ELEMENT	ELEMENTO FILTRANTE
	70923559	1	55A	O-RING	ANELLO DI TENUTA
	74036443	1	56T	PLUG, DRAIN	TAPPO DI SCARICO
5	70928812	1	85G	ELBOW	GOMITO
6	73142055	1	206T	TUBE	TUBO
7	73142054	1	85G	ELBOW	GOMITO
8	74036540	1	16D	VENT	SFIATO
	74254873	1	123G	GASKET	GUARNIZIONE DI TENUTA
9	73071681	1	192T	HOSE(11")	TUBO FLESSIBILE
	73122431	2	120M	CLAMP	MORSETTO COLLARE
10	73071681	1	192T	HOSE(36")	TUBO FLESSIBILE
	73122431	2	120M	CLAMP	MORSETTO COLLARE
11 a	73071681	1	192T	HOSE(25")	TUBO FLESSIBILE
	73122431	2	120M	CLAMP	MORSETTO COLLARE
12 a	-----	1	105P	PLATE(A224/1)	PIASTRA
	70921566	2	40V	CAPSCREW, 5/16"NC X 1"	VITE
	70910335	2	131R	WASHER	ROSETTA
	70916871	2	257C	LOCKNUT, 5/16"NC	CONTRODADO
13 a	-----	1	154P	PUMP, FUEL(A224/1)	POMPA DI ALIMENTAZIONE
14 a	-----	1	20R	FITTING(A224/1)	RACCORDO

a.WITH ELECTRIC FUEL PUMP

FR11

WATER SEPARATOR

A402/1



T-81855

ITEM PART NO. QTY. LEX. DESCRIPTION

ITEM	PART NO.	QTY.	LEX.	DESCRIPTION
1	-----	1	152P	WATER (A403)
2	04724747	1	90B	UNION
	10263360	1	131R	WASHER, M20
3	12077186	1	192T	HOSE
	12173890	2	120M	CLAMP
4	04762764	1	206T	TUBE
	16043621	2	40V	CAPSCREW, M8 X 1.25 X 25MM
	11198371	2	131R	WASHER, M8
5	04724814	2	123G	GASKET
6	-----	1	38R	COLLER (A307)
7	-----	1	192T	HOSE (A401(1))
8	04762766	1	206T	TUBE
	16043921	2	40V	CAPSCREW, M8 X 1.25 X 35MM
	11198371	2	131R	WASHER
9	73070286	1	192T	HOSE
	76014938	1	600X	UNIT PRIOR TO 530226
		1	192T	HOSE
		1	600Y	UNIT NO. 530226 AND UP
	70921911	2	120M	CLAMP
		2	600X	UNITS PRIOR TO 530226
	79083843	2	120M	CLAMP
		2	600Y	UNIT NO. 530226 AND UP
10	-----	11	206T	TUBE (A401(1))

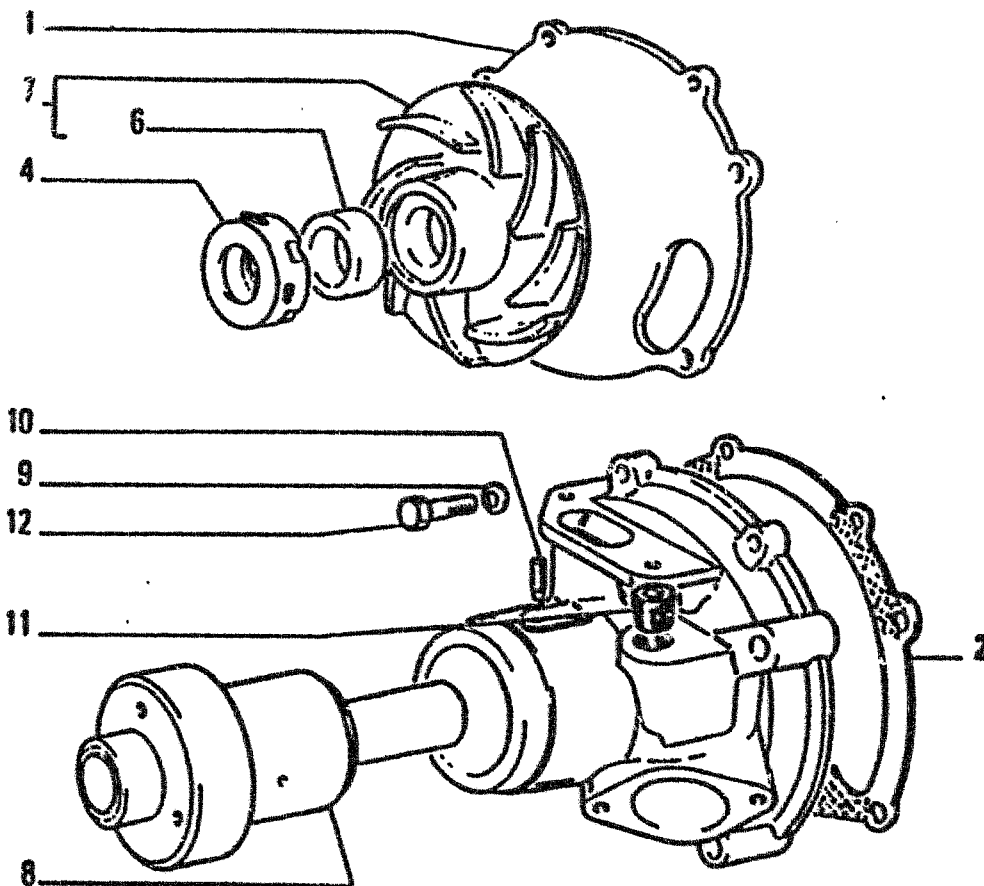
FR11

ENGINE HEAT EXCHANGER
COOLANT PIPING

A402

5

REVISED NOVEMBER 1990

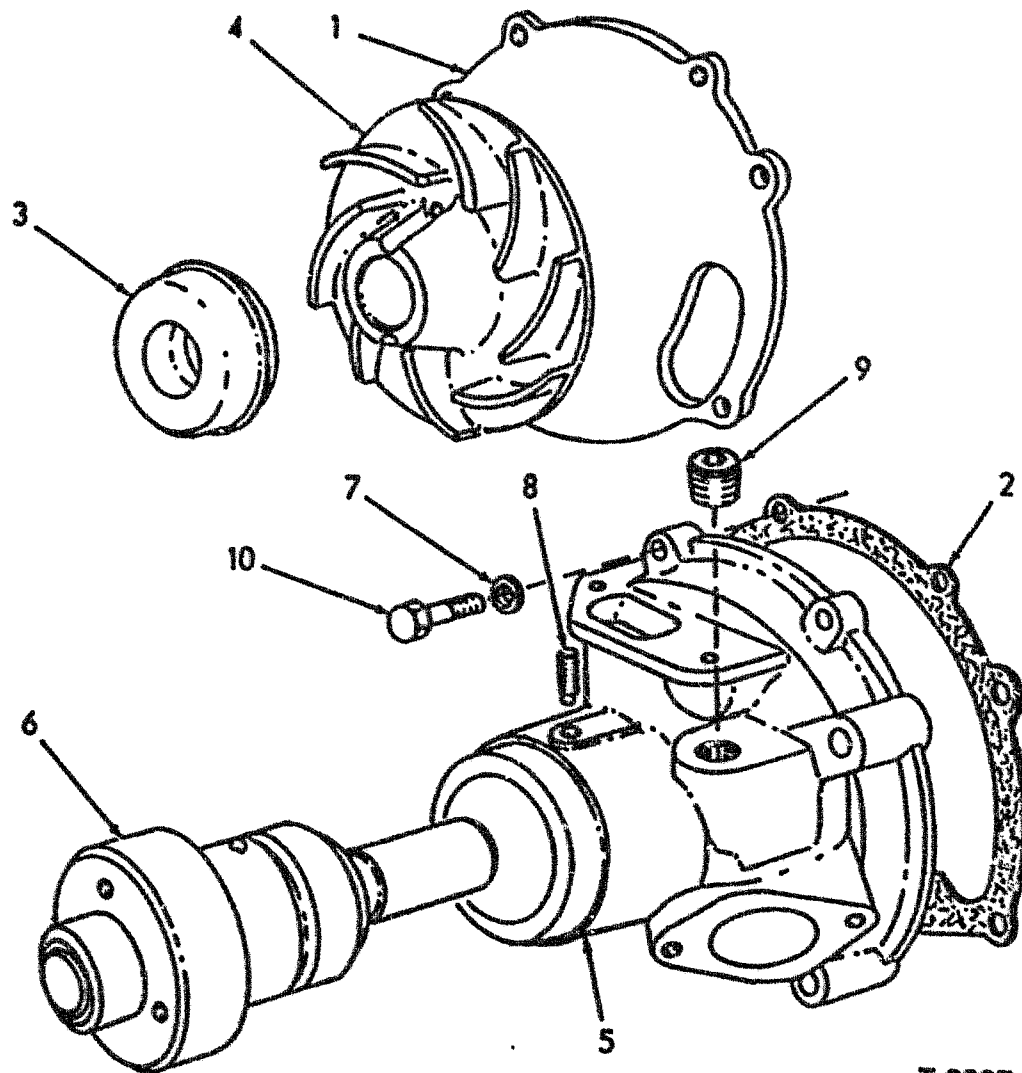


ITEM	PART NO.	QTY.	CODE	DESCRIPTION	DENOMINAZIONE
-	04780568	1	152P	PUMP, WATER	POMPA ACQUA
			60G.	INCLUDES ITEMS 1-12	INCLUDE PARTIC.(1)
1	04599557	1	265C	COVER	COPERCHIO
2	04599560	1	133R	SEAL	GUARNIZIONE TENUTA
4	04706880	1	133R	SEAL	GUARNIZIONE TENUTA
6	04706879	1	95B	BUSHING	BOCCOLA
7	04770614	1	60G	IMPELLER	GIRANTE
8	04784078	1	16A	SHAFT	ALBERO
9	11193871	2	132R	LOCKWASHER	ROSETTA DI SICUREZZA
10	13748710	1	40V	CAPSCREW	VITE
11	14325001	1	50T	PLUG	TAPPO
12	16043421	2	40V	CAPSCREW, 8 X 1.25 X 20	VITE

USAGE: ENGINE PRIOR TO S/N 238384.

FR11	PUMPS, WATER POMPE, ACQUA POMPES A EAU PUMPEN WASSER- BOMBAS AGUA	A403
		REVISED OCTOBER 1990

A403(A)

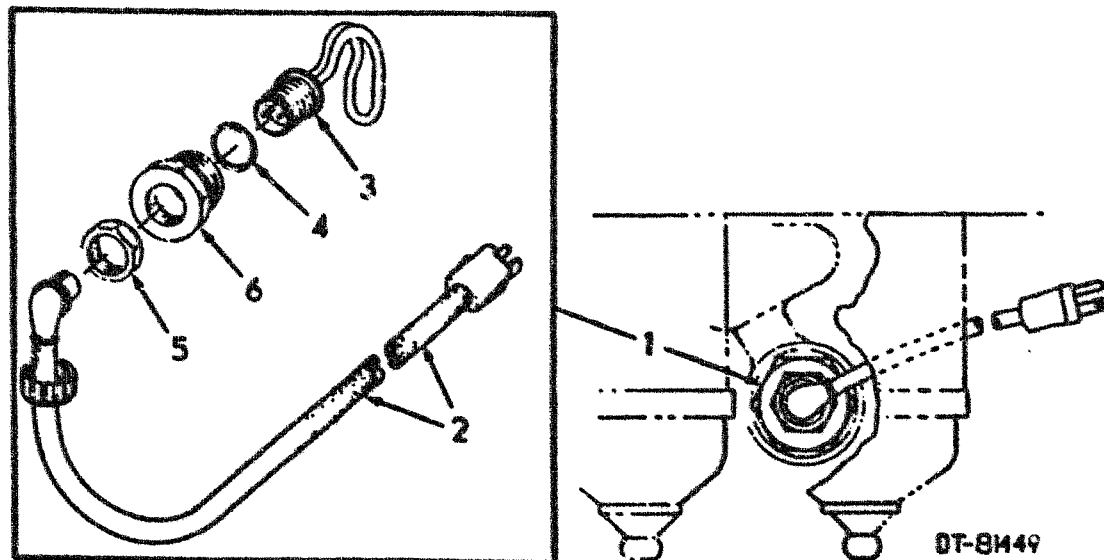


T-0867

ITEM	PART NO.	QTY.	CODE	DESCRIPTION	DENOMINAZIONE
-	04813370	1	152P	PUMP, WATER	POMPA ACQUA
			600L	INCLUDES ITEMS 1-10	INCLUDE PARTIC.(1)
1	04599557	1	265C	COVER	COPERCHIO
2	04599560	1	133R	SEAL	GUARNIZIONE TENUTA
3	07302756	1	133R	SEAL	GUARNIZIONE TENUTA
				OR	
	07302776	1	133R	SEAL	GUARNIZIONE TENUTA
4	04813442	1	600	IMPELLER	GIRANTE
5	-----	1	355	HOUSING	SCATOLA
6	04829218	1	16A	SHAFT	ALBERO
7	11193871	2	132R	LOCKWASHER	ROSETTA DI SICUREZZA
8	13739811	1	42V	SCREW	VITE
9	14325001	1	50T	PLUG	TAPPO
10	16043421	2	40V	CAPSCREW, 8X1.25X20	VITE

USAOE: ENGINE S/N 238384 AND UP.

FR11	PUMPS, WATER POMPE, ACQUA POMPES A EAU PUMPHEN WASSER- BOMBAS AGUA	A403	A
		ADDED OCTOBER 1990	



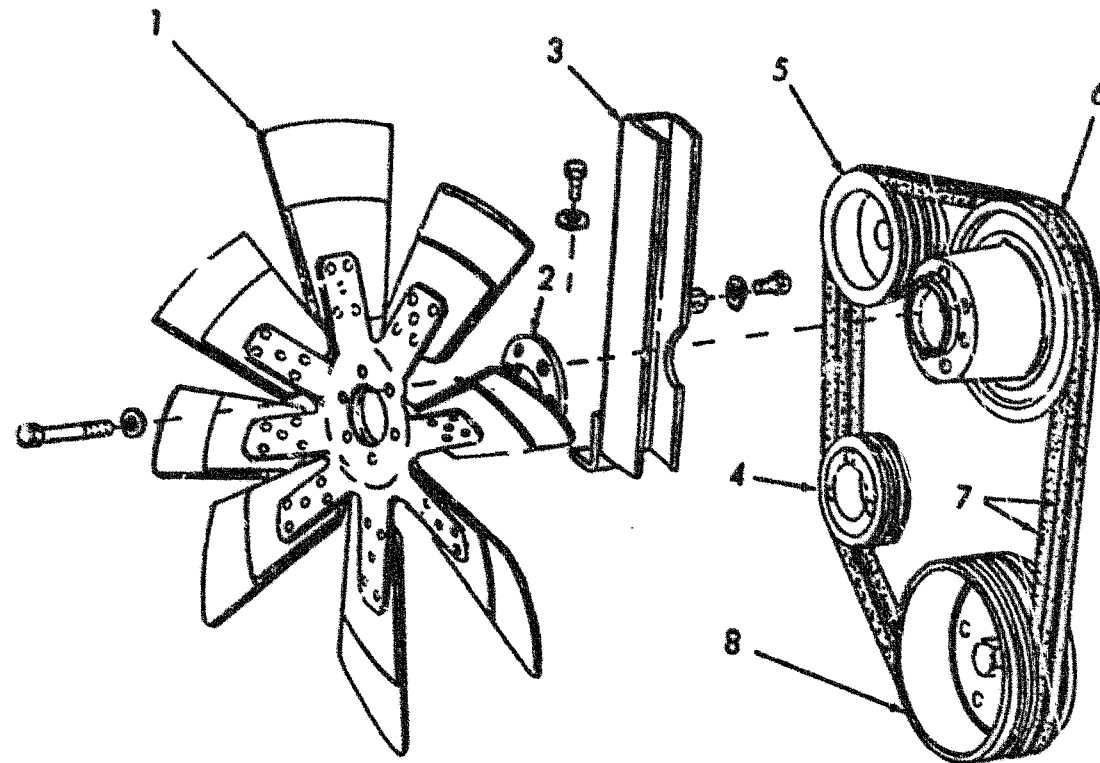
ITEM	PART NO.	QTY.	CODE	DESCRIPTION	DENOMINAZIONE
1	73076762	1	106R	ELEMENT, HEATING (120V) 600L INCLUDES ITEM(S) 2-6	RISCALDATORE ELETTRICO INCL. PARTIC. (1)
2	73155767	1	111C	CABLE, ELECTRIC (120V)	CAVO ELETTRICO
3	-----	1	106R	ELEMENT, HEATING 601C NOT SERVICED 600M ORDER ITEM(S) 1	RISCALDATORE ELETTRICO NON FORNITO DI RICAMB. ORDINARE PARTIC.
4	73135415	1	123G	GASKET	GUARNIZIONE DI TENUTA
5	73135414	1	10D	NUT	DADO
6	-----	1	55T	ADAPTER 600C UPPER 600M ORDER ITEM(S) 1	ADATTATORE SUPERIORE ORDINARE PARTIC.
	73135416	1	131R	WASHER	ROSETTA
			601K	NOT ILLUSTRATED	NON ILLUSTRATO

FR11

ENGINE COOLANT HEATER
 RISCALDAMENTO ACQUA MOTORE
 CHAUFFAGE DU SYSTEME REFROIDISSEMENT MOTEUR
 MOTORKUHLMITTELHEIZER
 CALEFACCION DEL SISTEMA DE ENFRIAMIENTO MOTOR

A406

REVISED OCTOBER 1990



T-81411

ITEM PART NO. QTY. LEX. DESCRIPTION

ITEM	PART NO.	QTY.	LEX.	DESCRIPTION
1	79046616	1	30V	FAN
			600X	PRIOR TO UNIT NO. 56C170
	76013106	1	30V	FAN
			600Y	UNIT NO. 560470 AND UP
	04735550	6	40V	CAPSCREW
	11198371	6	131R	WASHER, M10
2	76019848	1	75D	SPACER
3	73140273	1	75D	SPACER
	70677006	2	131R	WASHER
	70927187	2	40V	CAPSCREW, 3/8"NC X 1"
4	-----	-	231P	PULLEY, DRIVEN (A409(C))
5	a.04764898	1	231P	PULLEY, DRIVEN
	b.04754863	1	231P	PULLEY, DRIVEN
	04636953	1	131R	WASHER
	13598411	1	10D	NUT, M18
6	-----	-	231P	PULLEY, DRIVEN (A409(2))
7	a.04800089	1	173C	BELT (2)
	b.04754863	1	173C	BELT (2)
8	-----	1	232P	PULLEY, DRIVING (A104)

a. Units with Morelli Air Compressor
b. Units with Bendix Air Compressor

FR11

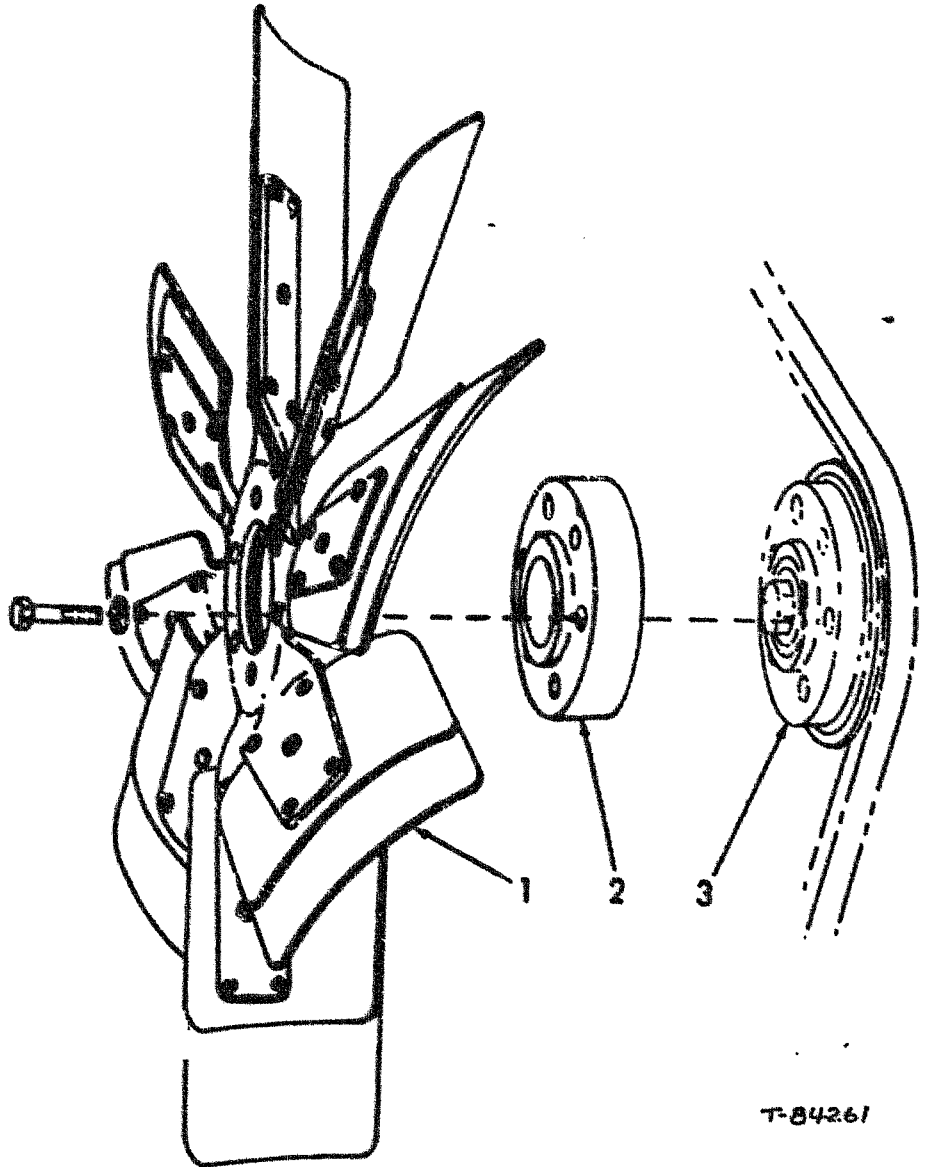
FAN & HUB ASSEMBLY

A409

1

REVISED OCTOBER 1990

A409(1A)



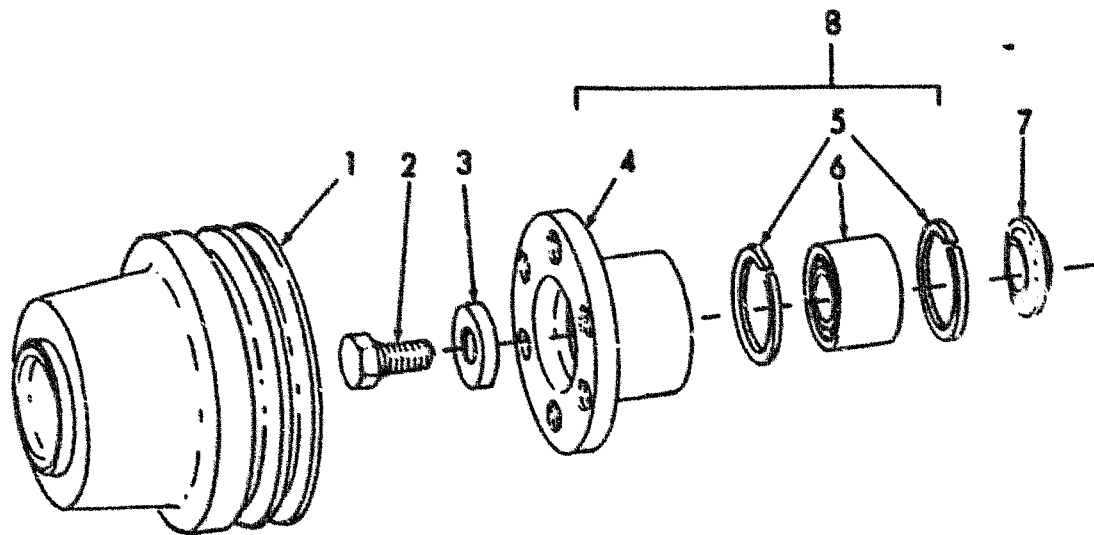
ITEM	PART NO.	QTY.	CODE	DESCRIPTION	DENOMINAZIONE
1	73144915	1	30V	FAN	VENTILATORE
	15972421	6	40V	CAPSCREW, M10 X 1.25 X 130MM	VITE
2	73144917	1	75D	SPACER	DISTANZIALE
3	-----	1	231P	PULLEY,DRIVEN(A409(2))	PULEGGIA CONDOTTA

USAGE: SPECIAL EQUIPMENT; USO: EQUIPAGGIAMENTO SPECIALE; USAGE: EQUIPEMENT SPECIAL;
 VERWENDUNG: SONDERAUSRUSTUNG; USO: EQUIPO ESPECIAL

FR11	FAN, SUCTION	A409	1A
------	--------------	------	----

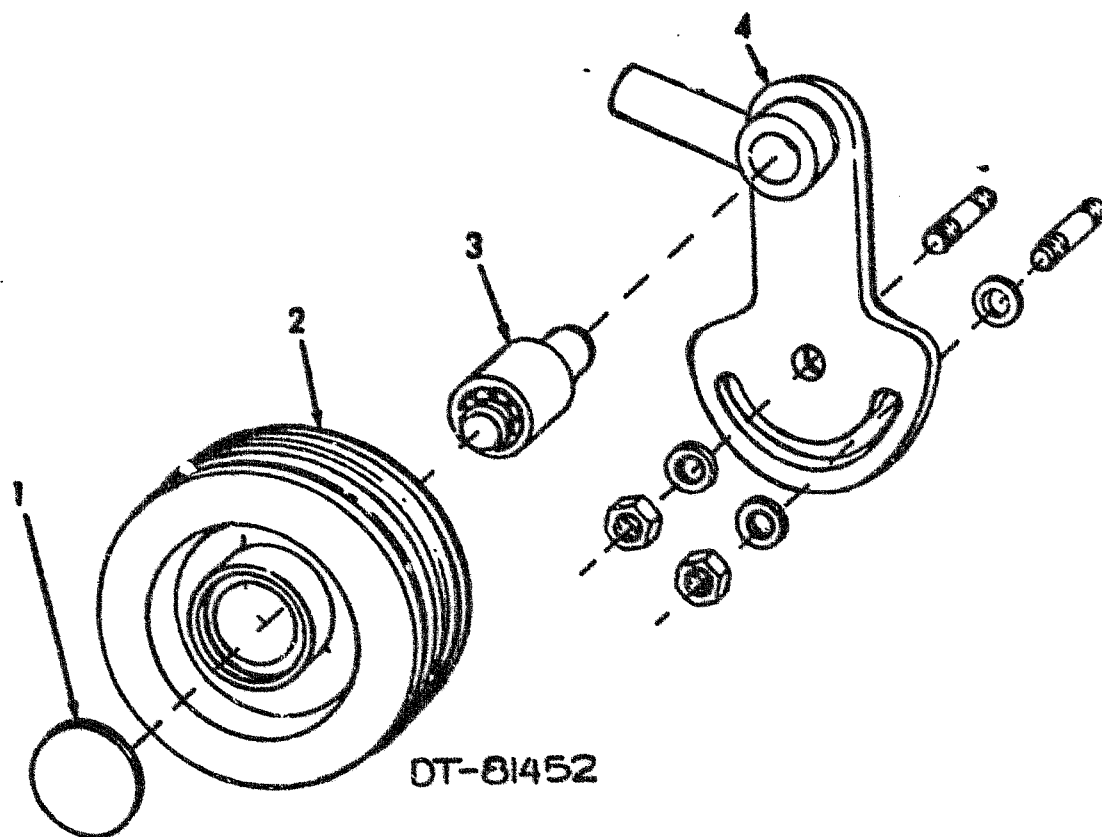
A409(2)

ITEM	PART NO.	QTY.	CODE	DESCRIPTION	DENOMINAZIONE
1	04754861	1	231P	PULLEY, DRIVEN	PULEGGIA CONDOTTA
2	15987921	1	40V	CAPSCREW, M20 X 1.5 X 40MM	VITE
3	-----	1	131R	WASHER	ROSETTA
4	04747162	1	135M	HUB	MOZZO
5	11061576	2	56A	RING, RETAINING	ANELLO DI RITEGNO
6	04318965	1	340C	BEARING	CUSCINETTO
7	04772231	1	131R	WASHER	ROSETTA
8	04772229	1	135M	HUB	MOZZO
			600L	INCLUDES ITEM(S)4-6	INCLUDE PARTIC.(1)



T-81453

FR11	FAN & HUB ASSEMBLY VENTILATORE E MOZZO-COMPL. VENTILATEUR ET MOYEU LUFTER UND NABE VENTILADOR Y CUBO	A409	2



ITEM	PART NO.	QTY.	CODE	DESCRIPTION	DENOMINAZIONE
1	10160401	1	50T	PLUG	TAPPO
2	04758245	1	251P	PULLEY, DRIVEN	PULEGGIA CONDOTTA
			600L	INCLUDES ITEM(S)	INCLUDE PARTIC.(1)
3	04547718	1	340C	BEARING	CUSCINETTO
4	04758242	1	87T	BELT STRETCHER	TENDICINGHIA
	13449424	2	210P	STUD	PRIGIONIERO
	11190511	2	131R	WASHER, M10	ROSETTA
	12646801	1	131R	WASHER, M10	ROSETTA
	12164711	2	100	NUT, M10	DADO

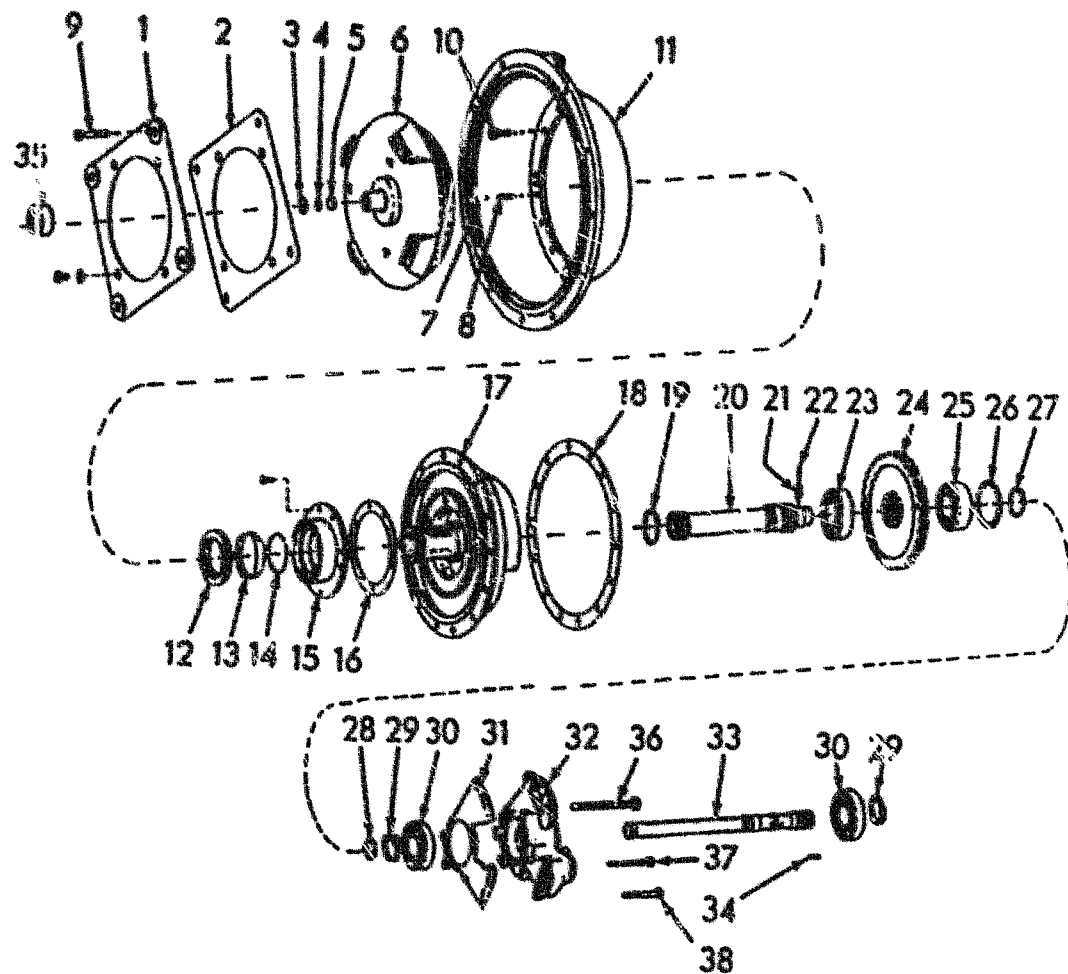
FR11

FAN BELT TENSIONER
 TENDICINGHIA
 TENDEUR DES COURROIES DU VENTILATEUR
 LUFERRIEMENSPANNER
 TENSOR DE LAS CORREAS DEL VENTILADOR

A409

3

REVISED OCTOBER 1990



T-83493

ITEM PART NO. QTY. LEX. DESCRIPTION

ITEM	PART NO.	QTY.	LEX.	DESCRIPTION
1	79064411	1	60D	DISC
	11103024	4	40V	CAPSCREW, M10X1.5X18
	10730521	4	131R	WASHER
2	79064410	1	60D	DISC
3	73142879	1	56A	RING, RETAINING
4	73142878	1	55A	O-RING (SEE PAGE 9)
5	73142877	1	60D	DISC
6	73142880	1	259C	CONVERTER, TORQUE
7	14604070	2	81P	PIN, SECURING
8	14609770	2	81P	PIN, SECURING
9	11107231	4	40V	CAPSCREW, M10 X 1.5 50MM
10	11106424	12	40V	CAPSCREW
			601Q	PRIOR TO TRANS S/N 4568
	11106424	9	40V	CAPSCREW
			601P	TRANS S/N 4568 AND UP
	14307531	3	40V	CAPSCREW, 10M X 1.25 X 30
			601P	TRANS S/N 4568 AND UP
11	79061089	1	35S	HOUSING
12	79101791	1	133R	SEAL
13	73142733	1	340C	BEARING
14	73142732	1	56A	RING, RETAINING (SEE PAGE 9)
15	73142729	1	285C	COVER
	16043724	8	40V	CAPSCREW, M8 X 28
16	79106610	1	123G	GASKET (SEE PAGE 9)
17	73142948	1	70F	FLANGE
18	79106787	1	123G	GASKET (SEE PAGE 9)
19	73142947	1	133R	SEAL (SEE PAGE 9)
20	73142881	1	16A	SHAFT
21	73142883	1	81P	PIN, SECURING
22	73142884	1	81P	PIN, SECURING
23	26797970	1	340C	BEARING

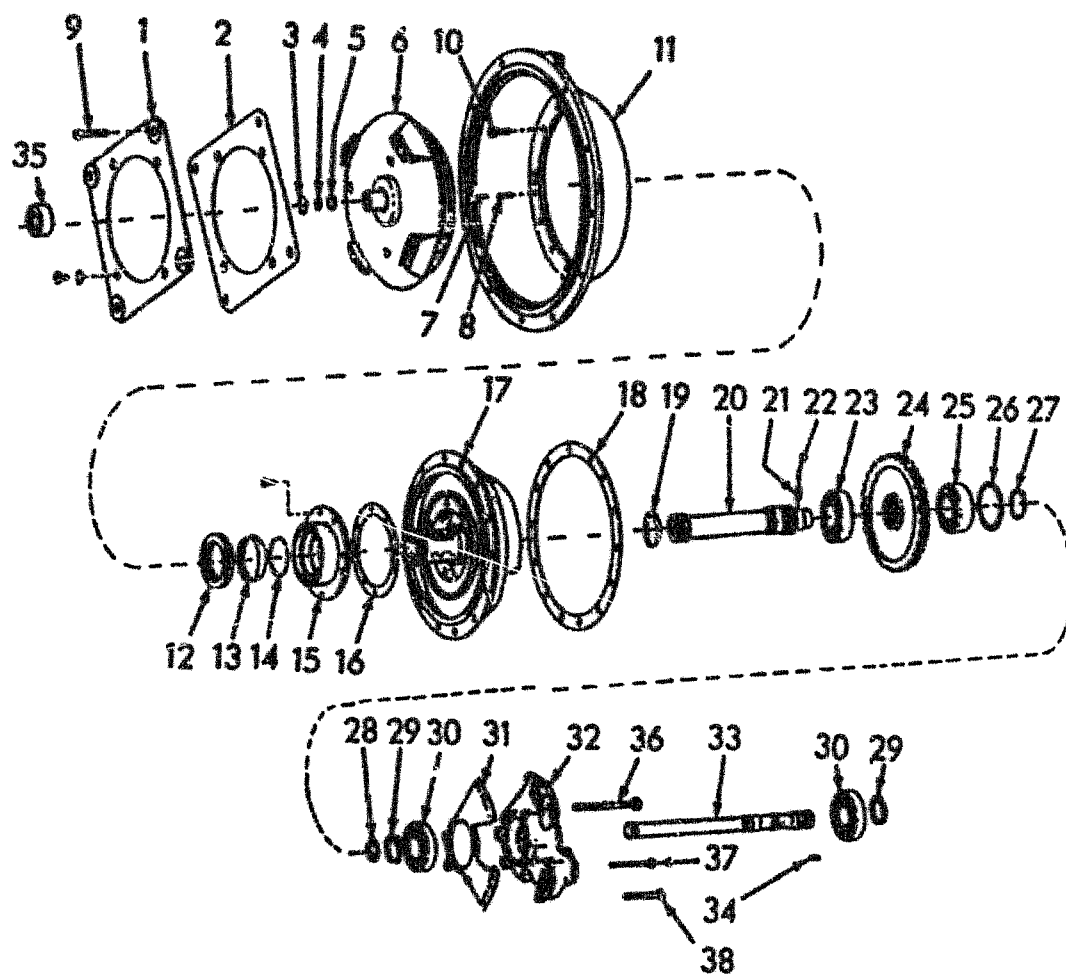
FR11

FLEX DISC & CONVERTER DRIVE

B105

2

REVISED OCTOBER 1990



T-83493

ITEM PART NO. QTY. LEX. DESCRIPTION

24	73142886	1	50I	GEAR
25	24979900	1	340C	BEARING
26	73142889	1	198S	SHIM, ADJUSTMENT (2.1MM)
	73142890	1	198S	SHIM, ADJUSTMENT (1.9MM)
	73142891	1	198S	SHIM, ADJUSTMENT (1.8MM)
	73142892	1	198S	SHIM, ADJUSTMENT (1.75MM)
	73142893	1	198S	SHIM, ADJUSTMENT (1.7MM)
	02960500	1	198S	SHIM, ADJUSTMENT (1.65MM)
	73142895	1	198S	SHIM, ADJUSTMENT (1.6MM)
	73142896	1	198S	SHIM, ADJUSTMENT (1.55MM)
	73142897	1	198S	SHIM, ADJUSTMENT (1.5MM)
	73142898	1	198S	SHIM, ADJUSTMENT (1.4MM)
	73142899	1	198S	SHIM, ADJUSTMENT (1.3MM)
	73142900	1	198S	SHIM, ADJUSTMENT (1.1MM)
	73142944	1	198S	SHIM, ADJUSTMENT (1.0MM)
	73142945	1	198S	SHIM, ADJUSTMENT (0.9MM)
			600P	AS REQUIRED
27	11068376	1	56A	RING, RETAINING
28	73143401	1	133R	SEAL (SEE PAGE 9)
29	11067876	2	56A	RING, RETAINING
30	79090673	2	340C	BEARING
31	79106612	1	123G	GASKET (SEE PAGE 9)
32	79094436	1	153P	PUMP, OIL
33	73143400	1	16A	SHAFT
34	14723210	1	60L	KEY
35	76008809	1	75D	SPACER
			600X	PRIOR TO UNIT NO. 530262
36	16046124	4	40V	CAPSCREW, M8X100
37	16044824	2	40V	CAPSCREW, M8 X 1.25 X 80
38	16044424	2	40V	CAPSCREW, M8 X 60

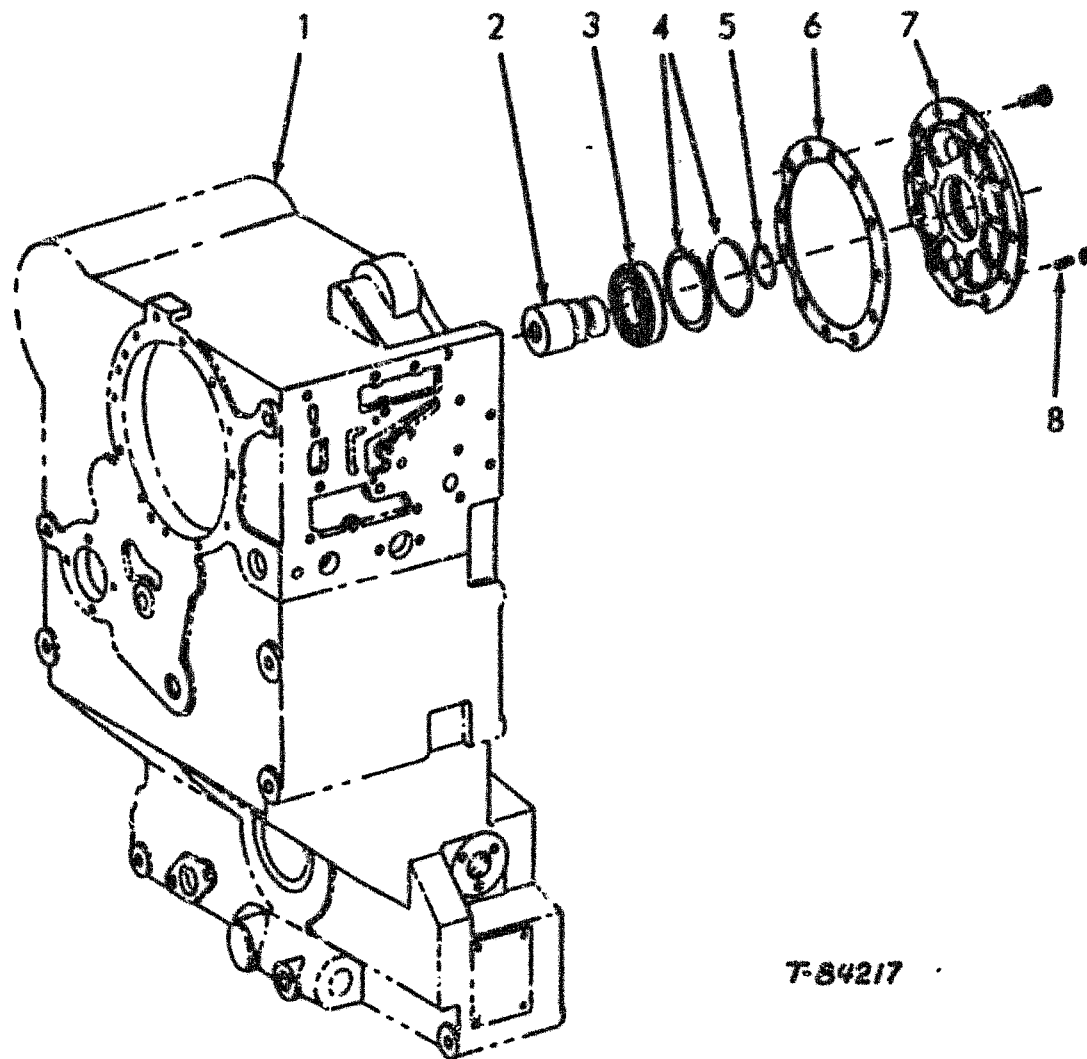
FR11

FLEX DISC & CONVERTER DRIVE

B105

2

REVISED NOVEMBER 1990



ITEM	PART NO.	QTY.	CODE	DESCRIPTION	DENOMINAZIONE
1	-----	1	35S	HOUSING(B201)	SCATOLA
2	79097785	1	67G	COUPLING	GIUNTO
3	24979400	1	340C	BEARING	CUSCINETTO
4	73143492	2	56A	RING, RETAINING	ANELLO DI RITEGNO
5	11068376	1	56A	RING, RETAINING	ANELLO DI RITEGNO
6	73143495	1	123G	GASKET(SEE PAGE 9)	GUARNIZIONE DI TENUTA
7	73143494	1	55T	ADAPTER	ADATTATORE
	16043324	9	40V	CAPSCREW	VITE
8	13516724	3	210P	STUD	PRIGIONIERO
	16100811	3	10D	NUT	DADO

T-84217

FR11

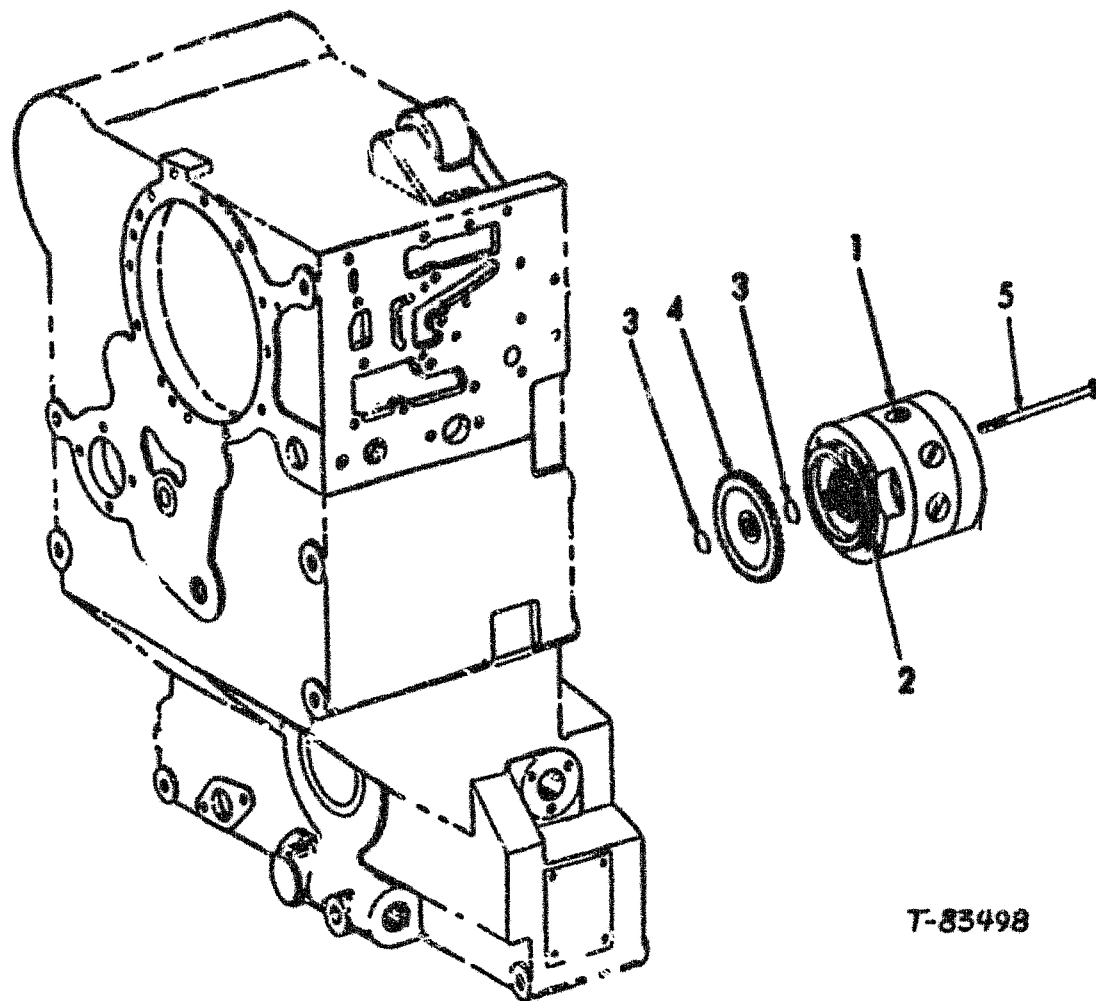
PUMP DRIVES
 COMANDI POMPA
 ENTRAINEMENTS DE POMPE
 PUMPENANTRIEBE
 MANDOS DE LA BOMBA

B105

5

REVISED OCTOBER 1990

B105(6)



ITEM	PART NO.	QTY.	CODE	DESCRIPTION	DENOMINAZIONE
-	73134882	1	155P	PUMP (D211/2)	POMPA
			600L	INCLUDES ITEM(S) 1-5	INCLUDE PARTIC.(1)
1	73135055	1	161P	PUMP, HYDRAULIC (D211/3)	POMPA IDRAULICA
2	73143690	1	55A	O-RING	ANELLO DI TENUTA
3	11066776	2	56A	RING, RETAINING	ANELLO DI RITEGNO
4	73143691	1	50I	GEAR	INGRANAGGIO
5	16045834	3	40V	CAPSCREW, M8 X 1.25 X 130	VITE

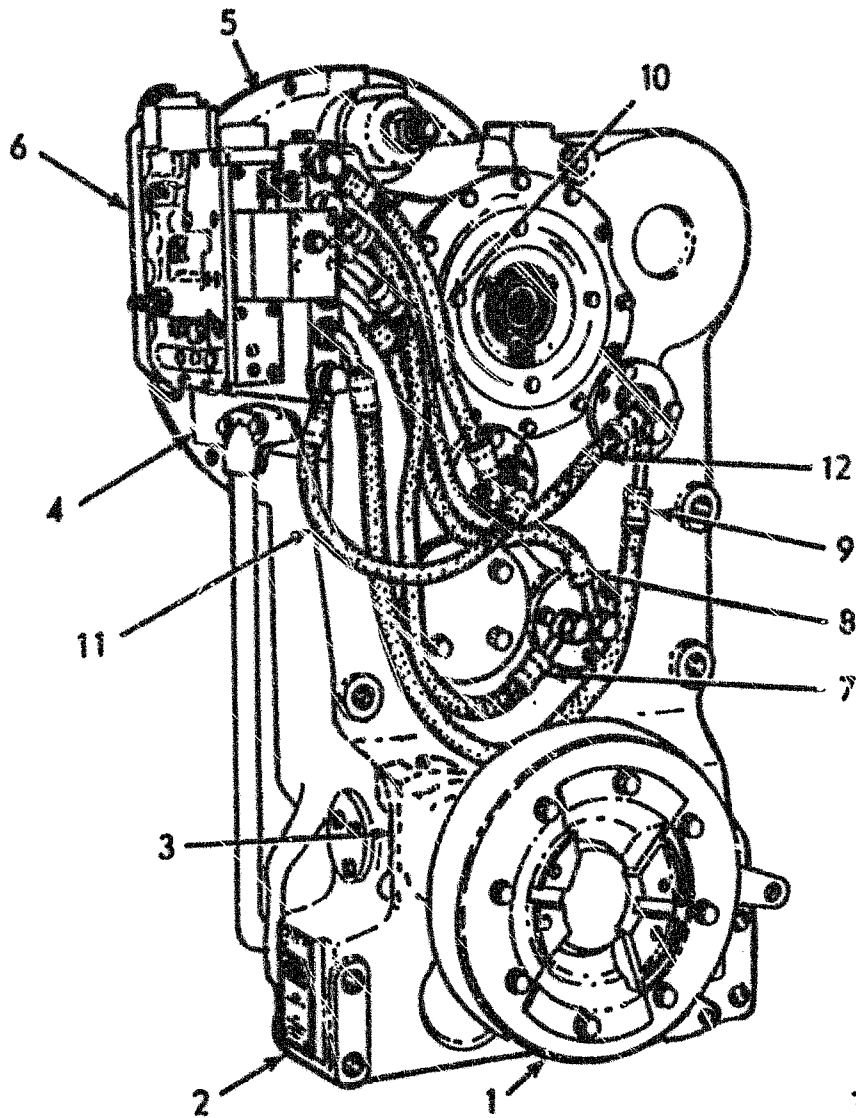
FR11

PUMP DRIVES
 COMANDI POMPA
 ENTRANEMENTS DE POMPE
 PUMPENANTRIEBE
 MANDOS DE LA BOMBA

B105

6

REVISED OCTOBER 1990



T-83494

ITEM PART NO. QTY. LEX. DESCRIPTION

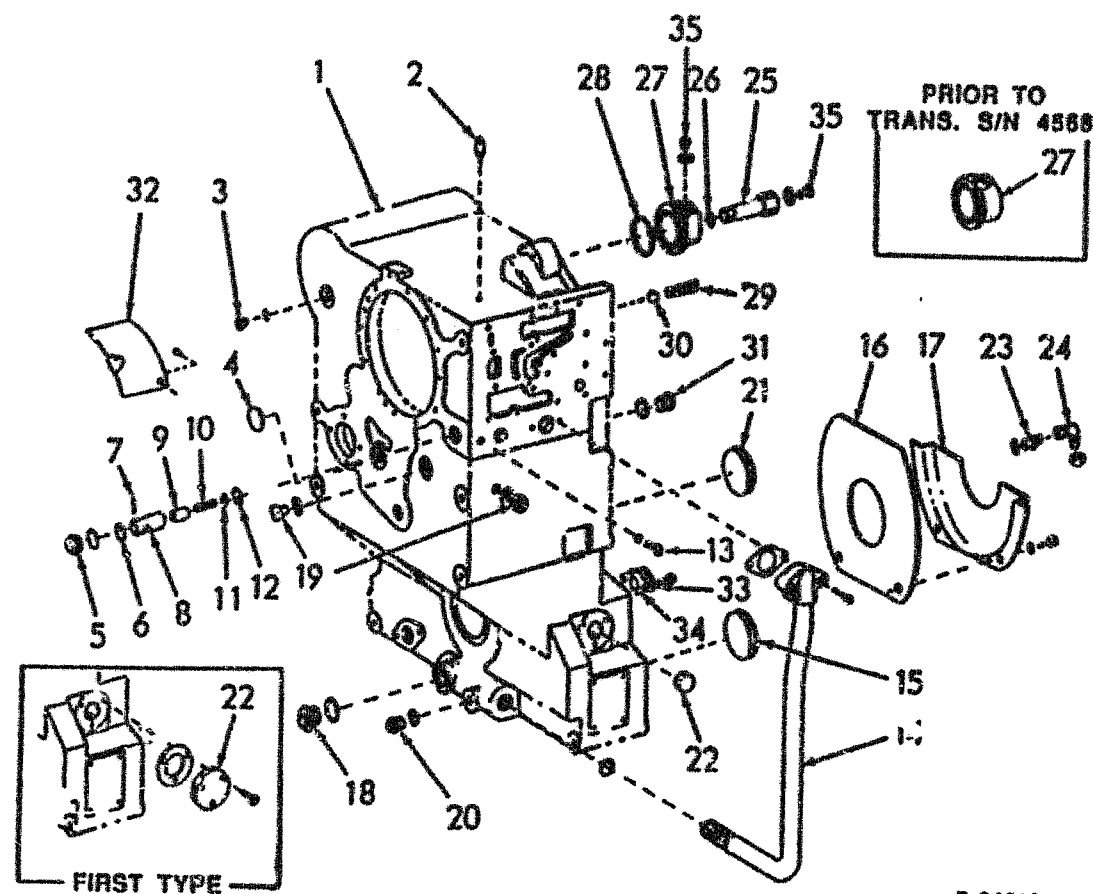
-	79084409	1	30C	TRANSMISSION
	11306930	12	40V	CAPSCREW, M10 X 1.25 X 30MM
1	-----	-	92F	BRAKE UNIT (C135(2))
2	-----	-	35S	HOUSING (B201)
3	-----	-	16A	SHAFT (B204(4))
4	-----	-	259C	CONVERTER, TORQUE (B105(2))
5	-----	-	105P	PLATE (B105(2))
6	-----	-	83D	VALVE, CONTROL (B233(1))
7	79078928	1	192T	HOSE (735MM)
	11212613	1	55T	ADAPTER
	73142750	1	21R	UNION, BANJO
	73142759	3	123G	GASKET (SEE PAGE 9)
8	79078930	1	192T	HOSE (530MM)
	11212613	2	55T	ADAPTER
	73142759	2	123G	GASKET (SEE PAGE 9)
9	79078927	1	192T	HOSE (560MM)
	11212613	1	55T	ADAPTER
	73142760	1	21R	UNION, BANJO
	73142759	3	123G	GASKET (SEE PAGE 9)
10	79078929	1	192T	HOSE (520MM)
	73142760	1	21R	UNION, BANJO
	11212613	1	55I	ADAPTER
	73142759	3	123G	GASKET (SEE PAGE 9)
11	79083810	1	192T	HOSE
	73142760	1	21R	UNION, BANJO
	11212613	1	55T	ADAPTER
	73142759	3	123G	GASKET (SEE PAGE 9)
12	79078928	1	192T	HOSE
	73143427	1	21R	UNION, BANJO
	11212613	1	55T	ADAPTER
	73142759	3	123G	GASKET (SEE PAGE 9)

FR11

TRANSMISSION ASSEMBLY &
MOUNTING

B200

REVISED OCTOBER 1990



7-94218

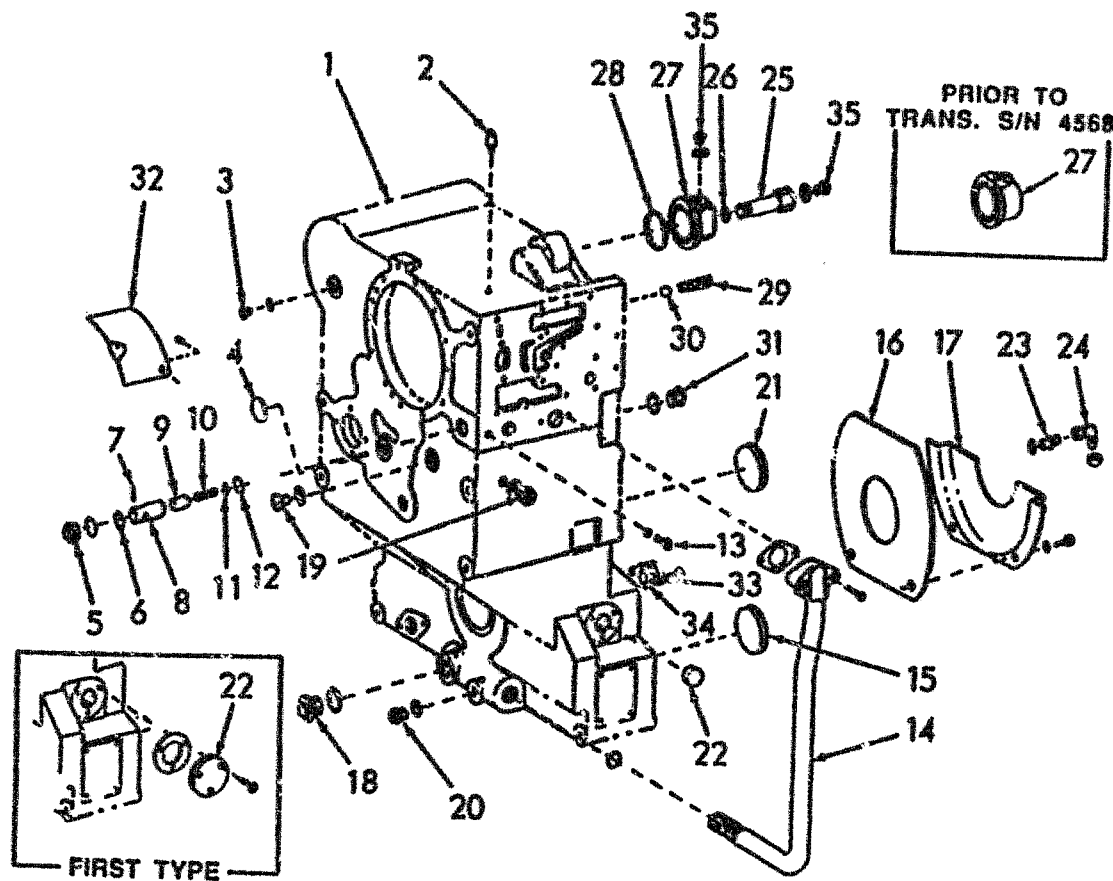
ITEM	PART NO.	QTY.	CODE	DESCRIPTION	DENOMINAZIONE
1	79060353	1	39S	HOUSING	SCATOLA
2	73142752	1	149S	BREATHER	SFIATATOIO
3	73143414	2	50T	PLUG	TAPPO
	11270260	2	123G	GASKET(SEE PAGE 9)	GUARNIZIONE DI TENUTA
4	73140604	1	50T	PLUG	TAPPO
5	73142749	1	50T	PLUG	TAPPO
	73140404	1	123G	GASKET(SEE PAGE 9)	GUARNIZIONE DI TENUTA
6	11058676	1	56A	RING, RETAINING	ANELLO DI RITEGNO
7	73142773	1	90G	DOWEL	GRANO
8	73142768	1	59C	SLEEVE	CANNOTTO
9	79061521	1	235S	PISTON	STANTUFFO
10	73142770	1	100M	SPRING	MOLLA
11	73142771	1	60D	DISC	DISCO
12	11057876	1	56A	RING, RETAINING	ANELLO DI RITEGNO
13	73140407	1	75B	CONNECTOR	BLOCCETTO CONNESSIONE
	11270260	1	123G	GASKET(SEE PAGE 9)	GUARNIZIONE DI TENUTA
14	73143420	1	206T	TUBE	TUBO
	73143407	1	55A	O-RING(SEE PAGE 9)	ANELLO DI TENUTA
	79101792	1	123G	GASKET(SEE PAGE 9)	GUARNIZIONE DI TENUTA
	16044224	2	40V	CAPSCREW	VITE
15	79061517	2	20C	CAP	CALOTTA
16	79096145	1	105P	PLATE	PIASTRA
17	73143410	1	105P	PLATE	PIASTRA
	16043024	2	40V	CAPSCREW	VITE
	10730321	2	131R	WASHER	ROSETTA
18	73140605	1	50T	PLUG	TAPPO
	73140606	1	133R	SEAL	GUARNIZIONE DI TENUTA
19	10304411	2	50T	PLUG	TAPPO
	11270560	2	123G	GASKET(SEE PAGE 9)	GUARNIZIONE DI TENUTA
20	10305111	1	50T	PLUG	TAPPO
	11270860	1	123G	GASKET(SEE PAGE 9)	GUARNIZIONE DI TENUTA
21	73143041	1	20C	CAP	CALOTTA

FR11

TRANSMISSION HOUSING & COVER
 SCATOLA E COPERCHI TRASMISSIONE
 CARTER ET COUVERCLE DE LA BOITE DE VITESSES
 GETRIEBEGEHAUSE UND DECKEL
 CAJA Y TAPA DE LA TRANSMISION

8201

REVISED OCTOBER 1990



T-84218

ITEM PART NO. QTY. LEX. DESCRIPTION

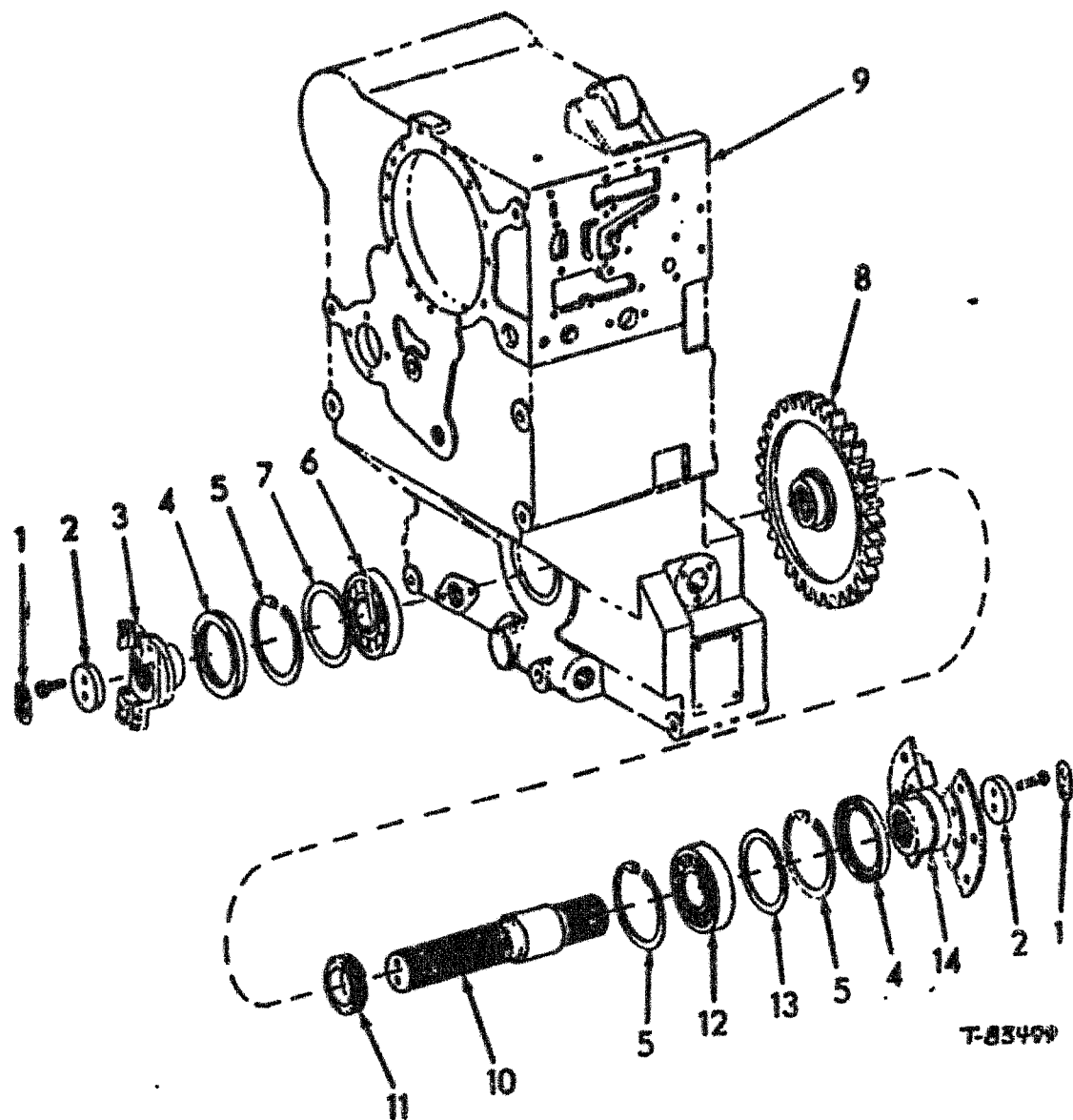
22	73143498	1	265C	COVER
			601Q	PRIOR TO TRANS S/N 4568
	73143499	1	123G	GASKET (SEE PAGE 9)
			601Q	PRIOR TO TRANS S/N 4568
	16043224	3	40V	CAPSCREW
			601Q	PRIOR TO TRANS S/N 4568
	14329101	1	50T	PLUG
			601P	TRANS S/N 4568 AND UP
23	73069099	1	75B	CONNECTOR
	10263460	1	123G	GASKET
24	70919624	1	85G	ELBOW
	70921244	1	20C	CAP
25	73143040	1	21R	UNION, BANJO
26	73140797	1	123G	GASKET (SEE PAGE 9)
27	73143038	1	20C	CAP
			601Q	PRIOR TO TRANS. S/N 4568
	79072944	1	20C	CAP
			601P	TRANS S/N 4568 AND UP
28	73143039	1	123G	GASKET
29	73142767	1	100M	SPRING
30	73140548	1	140S	BALL
31	73140410	1	50T	PLUG
	73140404	1	123G	GASKET (SEE PAGE 9)
32	79094838	1	224P	SHIELD
	16043024	1	40V	CAPSCREW
	10730321	1	131R	WASHER
33	73143413	1	265C	COVER
	16043224	2	40V	CAPSCREW
34	79101792	1	123G	GASKET (SEE PAGE 9)
35	73142751	1	50T	PLUG
	11270960	1	123G	GASKET (SEE PAGE 9)

FR11B

TRANSMISSION HOUSING & COVER

B201

REVISED OCTOBER 1990



ITEM	PART NO.	QTY.	CODE	DESCRIPTION	DENOMINAZIONE
1	73143479	2	113P	LOCKPLATE	PIASTRINA DI SICUREZZA
2	73143477	2	60D	DISC	DISCO
	16043634	4	40V	CAPSCREW	VITE
3	73143476	1	500H	YOKE, U-JOINT	FORCELLA
4	73143487	2	133R	SEAL (SEE PAGE 9)	GUARNIZIONE TENUTA
5	11062976	3	56A	RING, RETAINING	ANELLO DI RITEGNO
6	24779910	1	340C	BEARING	CUSCINETTO
7	73143474	1	198S	SHIM, ADJUSTMENT	SPESSORE DI REGISTRO
	79072937	1	198S	SHIM, ADJUSTMENT	SPESSORE DI REGISTRO
	79072938	1	601P	TRANS S/N 4568 AND UP	TRASH NO.... E SEGUENTI
	79072939	1	198S	SHIM, ADJUSTMENT	SPESSORE DI REGISTRO
		1	601P	TRANS S/N 4568 AND UP	TRASH NO.... E SEGUENTI
8	73143472	1	501	GEAR	INGRANAGGIO
9	-----	1	35S	HOUSING '8201)	SCATOLA
10	73143470	1	16A	SHAFT	ALBERO
11	73143471	1	501	GEAR	INGRANAGGIO
12	73143481	1	340C	BEARING	CUSCINETTO
13	73143482	1	198S	SHIM, ADJUSTMENT (1.9MM)	SPESSORE DI REGISTRO
	73143483	1	198S	SHIM, ADJUSTMENT (1.8MM)	SPESSORE DI REGISTRO
	73143484	1	198S	SHIM, ADJUSTMENT (1.7MM)	SPESSORE DI REGISTRO
	73143485	1	198S	SHIM, ADJUSTMENT (1.6MM)	SPESSORE DI REGISTRO
	73143486	1	196S	SHIM, ADJUSTMENT (1.5MM)	SPESSORE DI REGISTRO
14	-----	1	70F	FLANGE (C132(2))	FLANGIA

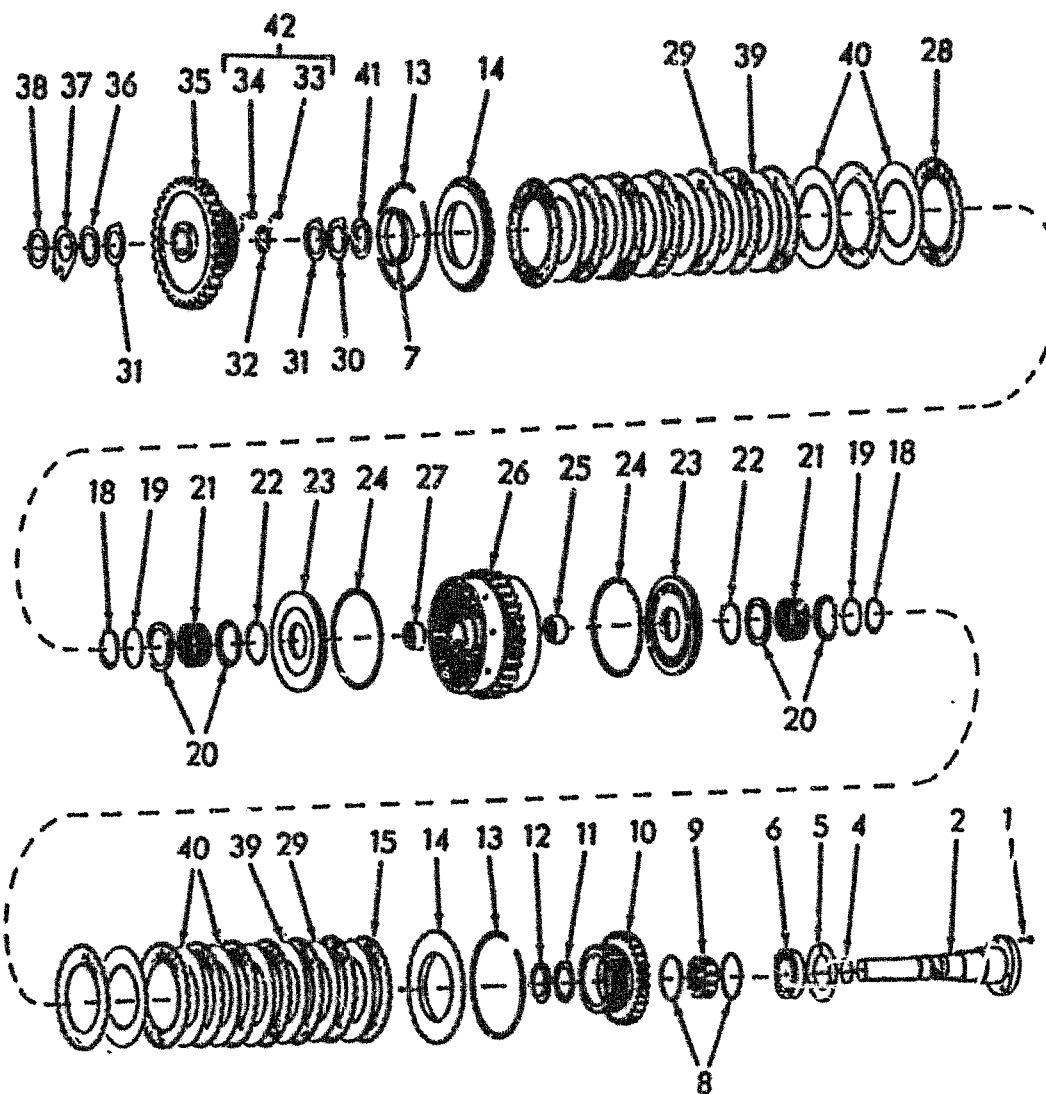
FR11

TRANSMISSION REAR OUTPUT GROUP
 GRUPPO POSTERIORE TRASMISSIONE
 ENTRAINEMENT ARRIERE DE LA BOITE DE VITESSES
 GETRIEBEHECKANTRIEBSGRUPPE
 SALIDA TRASERA DE LA TRANSMISION

B204

4

Revised August 1988



ITEM PART NO. QTY. LEX. DESCRIPTION

1	73142837	3	40V	CAPSCREW
2	79086881	1	16A	SHAFT
4	79060521	3	45A	RING (SEE PAGE 9)
5	73143438	1	123G	GASKET (SEE PAGE 9)
6	24979970	1	340C	BEARING
7	73143442	1	56A	RING, RETAINING
8	79060531	2	45A	RING
9	73143445	1	340C	BEARING
10	73143447	1	50I	GEAR
11	73142970	1	131R	WASHER
12	73142957	1	23R	PLATE, THRUST
13	73142999	2	56A	RING, RETAINING
14	73142994	2	105P	PLATE
15	73143004	8	60D	DISC
			600F	OUTER
			601Q	PRIOR TO TRANS S/N 4568
	79072917	8	60D	DISC (2.0MM)
			601P	TRANS S/N 4568 AND UP
			600F	OUTER
18	73142966	2	51A	LOCKRING
19	73142950	2	145G	GUIDE
20	73142965	4	147G	GUIDE, SPRING
21	73142964	2	100M	SPRING
22	73142963	2	45A	RING (SEE PAGE 9)
23	73142995	2	235S	PISTON
24	73142996	2	45A	RING (SEE PAGE 9)
25	73142998	1	340C	BEARING
26	73143448	1	75F	CARRIER
27	79066881	1	340C	BEARING
28	73143449	11	60D	DISC
			600F	OUTER
			601Q	PRIOR TO TRANS S/N 4568
	79072917	11	60D	DISC
			601P	TRANS S/N 4568 AND UP

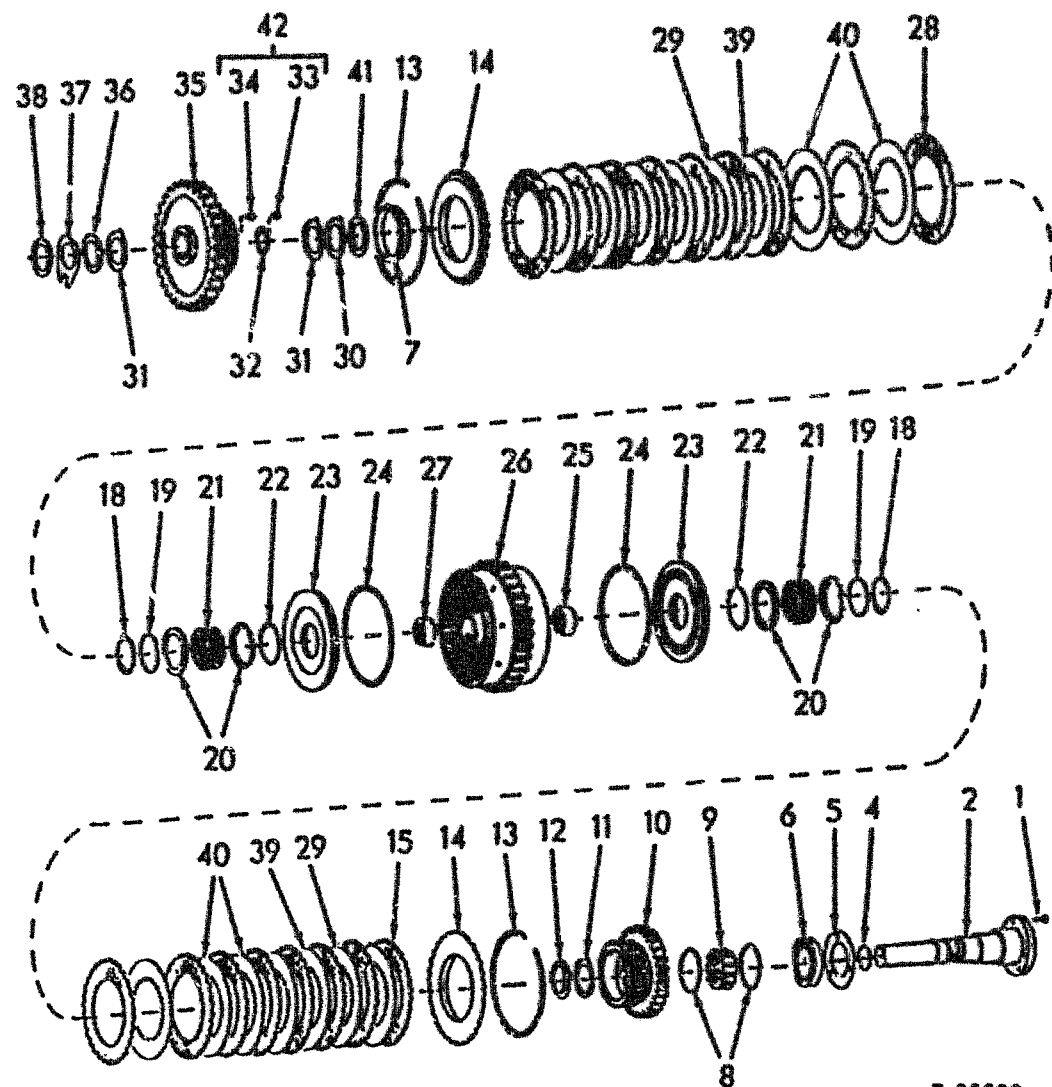
FR11

FORWARD & FIRST RANGE CLUTCH

B204

9

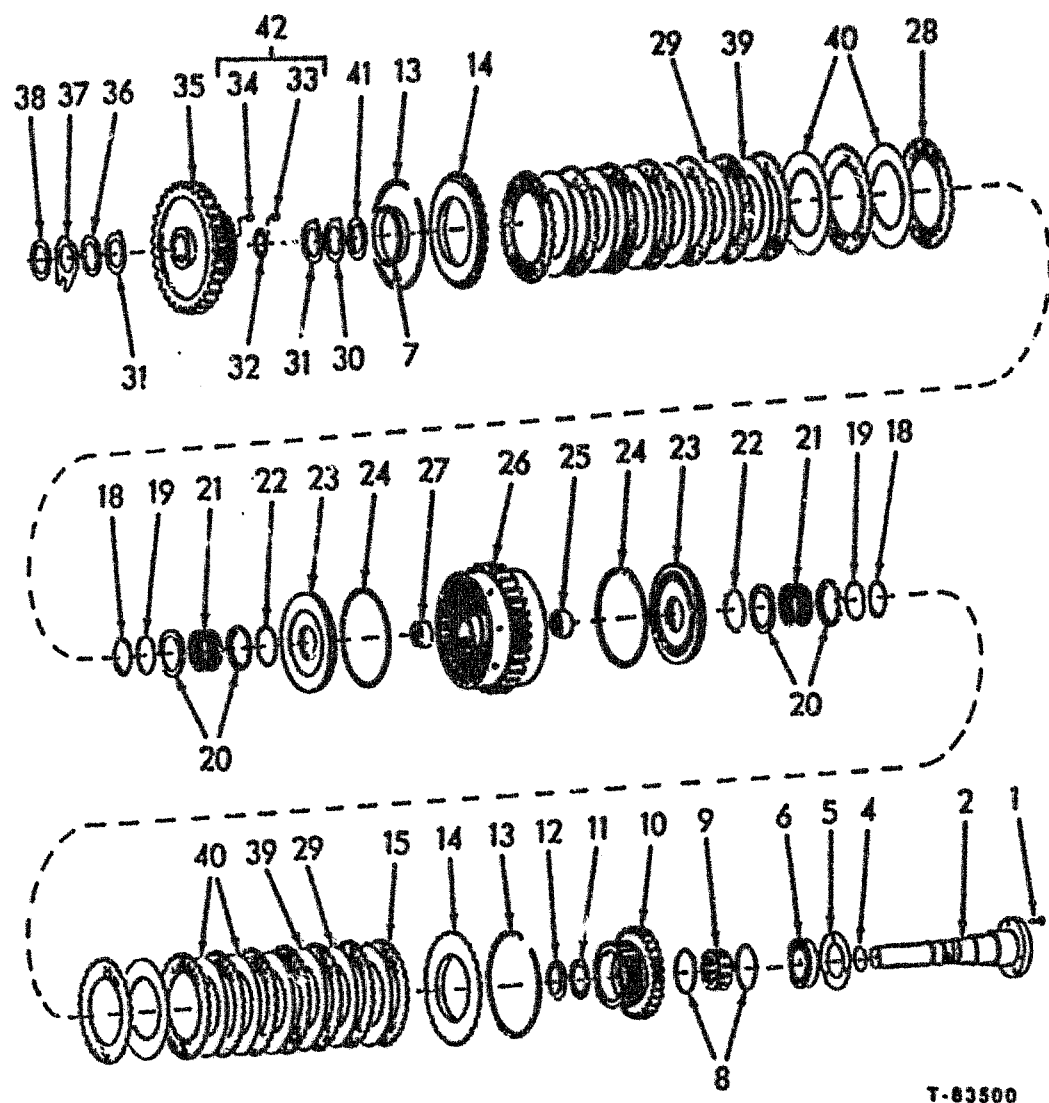
REVISED OCTOBER 1990



T-83500

ITEM	PART NO.	QTY.	CODE	DESCRIPTION	DENOMINAZIONE
29	79059369	7	600	DISC(1.5MM)	DISCO
				600E INNER	INTERNO
				6010 PRIOR TO TRANS S/N 4568	PRECEDENTE ALLA TRASH NO.
				DISC	DISCO
				600E INNER	INTERNO
				601P TRANS S/N 4568 AND UP	TRASH NO.... E SEGUENTI
				DISC	DISCO
				600E INNER	INTERNO
				601P TRANS S/N 4568 AND UP	TRASH NO.... E SEGUENTI
				30	73142992
31	73143439	2	131R	WASHER	ROSETTA
32	73143444	1	600	DISC	DISCO
33	79064071	14	157R	ROLLER	RULLO
34	79064074	14	157R	ROLLER	RULLO
35	73143440	1	501	GEAR	INGRANAGGIO
36	73142951	1	131R	WASHER	ROSETTA
37	73142952	1	131R	WASHER	ROSETTA
38	73142853	1	198S	SHIM,ADJUSTMENT(2.0MM)	SPESSORE DI REGISTRO
				SHIM,ADJUSTMENT(3.4MM)	SPESSORE DI REGISTRO
				6010 PRIOR TO TRANS S/N 4568	PRECEDENTE ALLA TRASH NO.
				SHIM,ADJUSTMENT(0.2MM)	SPESSORE DI REGISTRO
				SHIM,ADJUSTMENT(0.4MM)	SPESSORE DI REGISTRO
				SHIM,ADJUSTMENT(0.6MM)	SPESSORE DI REGISTRO
				SHIM,ADJUSTMENT(0.8MM)	SPESSORE DI REGISTRO
				SHIM,ADJUSTMENT(1.0MM)	SPESSORE DI REGISTRO
				SHIM,ADJUSTMENT(1.2MM)	SPESSORE DI REGISTRO
				SHIM,ADJUSTMENT(1.4MM)	SPESSORE DI REGISTRO
				SHIM,ADJUSTMENT(1.6MM)	SPESSORE DI REGISTRO
				SHIM,ADJUSTMENT(1.8MM)	SPESSORE DI REGISTRO
				SHIM,ADJUSTMENT(2.2MM)	SPESSORE DI REGISTRO
				SHIM,ADJUSTMENT(2.4MM)	SPESSORE DI REGISTRO
SHIM,ADJUSTMENT(2.6MM)	SPESSORE DI REGISTRO				
SHIM,ADJUSTMENT(2.8MM)	SPESSORE DI REGISTRO				
39	73143009	1	600	DISC(2.0MM)	DISCO
			600E	INNER	INTERNO
			600P	AS REQUIRED	DEFINITO AL MONTAGGIO

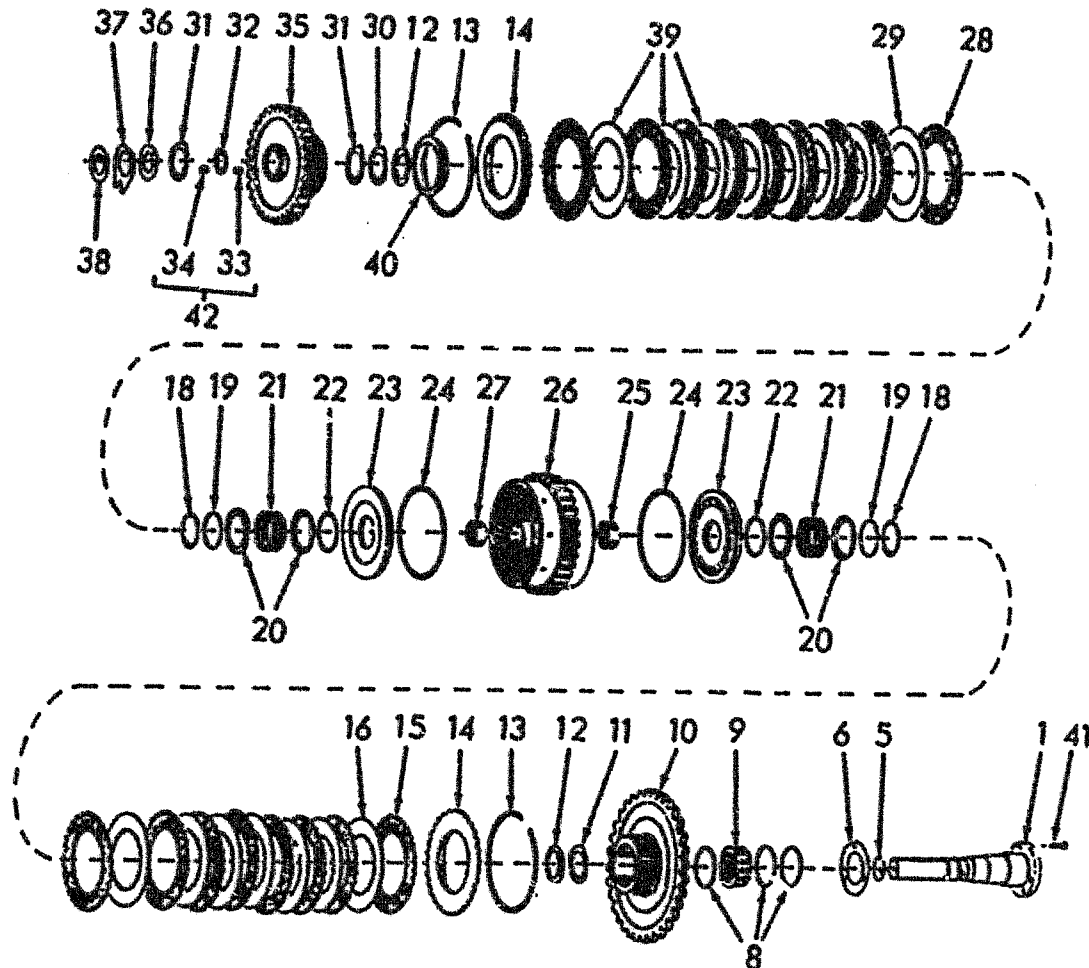
FR11	<p>FORWARD & FIRST RANGE CLUTCH FRIZIONE AVANTI E PRIM. VELOCITA EMBRAYAGE MARCHE AVANT ET PREMIERA VITESSES VORWARTSKUPPLUNGSWELLE UND ERSTER GANG EMBRAGUE DE MARCHA DE AVANCE Y PRIMERA VELOCIDAD</p>	B204	9
REVISED OCTOBER 1990:			



T-83500

ITEM	PART NO.	QTY.	CODE	DESCRIPTION	DENOMINAZIONE
40	73143008	2	600	DISC(2.5MM) 600E INNER	DISCO INTERNO.
41	79060522	1	600P	AS REQUIRED 2LR PLATE, THRUST	DEFINITO AL MONTAGGIO RALLA
42	79096146	1	128S	KIT 600L INCL. ITEM(S) 33, 34	

FR11	FORWARD & FIRST RANGE CLUTCH FRIZIONE AVANTI E PRIM. VELOCITA EMBRAYAGE MARCHÉ AVANT ET PREMIERE VITESSES VORWARTSKUPPLUNGSWELLE UND ERSTER GANG EMBRAGUE DE MARCHA DE AVANCE Y PRIMERA VELOCIDAD	B204	9
		REVISED OCTOBER 1990	



T-84101

ITEM	PART NO.	QTY.	CODE	DESCRIPTION	DENOMINAZIONE
1	73143437	1	16A	SHAFT	ALBERO
5	79060521	3	45A	RING(SEE PAGE 9)	ANELLO
6	73143438	1	123G	GASKET(SEE PAGE 9)	GUARNIZIONE DI TENUTA
8	79060532	3	45A	RING	ANELLO
9	73143493	1	340C	BEARING	CUSCINETTO
	79072936	1	340C	BEARING	CUSCINETTO
	601Q			PRIOR TO TRANS S/N 4568	PRECEDENTE ALLA TRASH NO.
	601P			TRANS S/N 4568 AND UP	TRASH NO.... E SEGUENTI
10	73143454	1	50I	GEAR	INGRANAGGIO
11	73142984	1	131R	WASHER	ROSETTA
12	73142957	2	23R	PLATE, THRUST	RALLA
13	73142999	2	56A	RING, RETAINING	ANELLO DI RITEGNO
14	73142994	2	105P	PLATE	PIASTRA
15	73143004	8	60D	DISC	DISCO
	600F			OUTER	ESTERNO
	601Q			PRIOR TO TRANS S/N 4568	PRECEDENTE ALLA TRASH NO.
	601P			TRANS S/N 4568 AND UP	TRASH NO.... E SEGUENTI
16	79059369	6	60D	DISC(1.5MM)	DISCO
	600E			INNER	INTERNO
	601Q			PRIOR TO TRANS S/N 4568	PRECEDENTE ALLA TRASH NO.
	601P			TRANS S/N 4568 AND UP	TRASH NO.... E SEGUENTI
18	73142966	2	51A	LOCKRING	ANELLO DI SICUREZZA
19	73142950	2	145G	GUIDE	GUIDA
20	73142965	4	147G	GUIDE, SPRING	GUIDA MOLLA
21	73142964	2	100M	SPRING	MOLLA
22	73142963	2	45A	RING(SEE PAGE 9)	ANELLO
23	73142995	2	235S	PISTON	STANTUFFO
24	73142996	2	45A	RING(SEE PAGE 9)	ANELLO
25	73142998	1	340C	BEARING	CUSCINETTO
26	73143448	1	75F	CARRIER	FLOTTANTE
27	79066881	1	340C	BEARING	CUSCINETTO

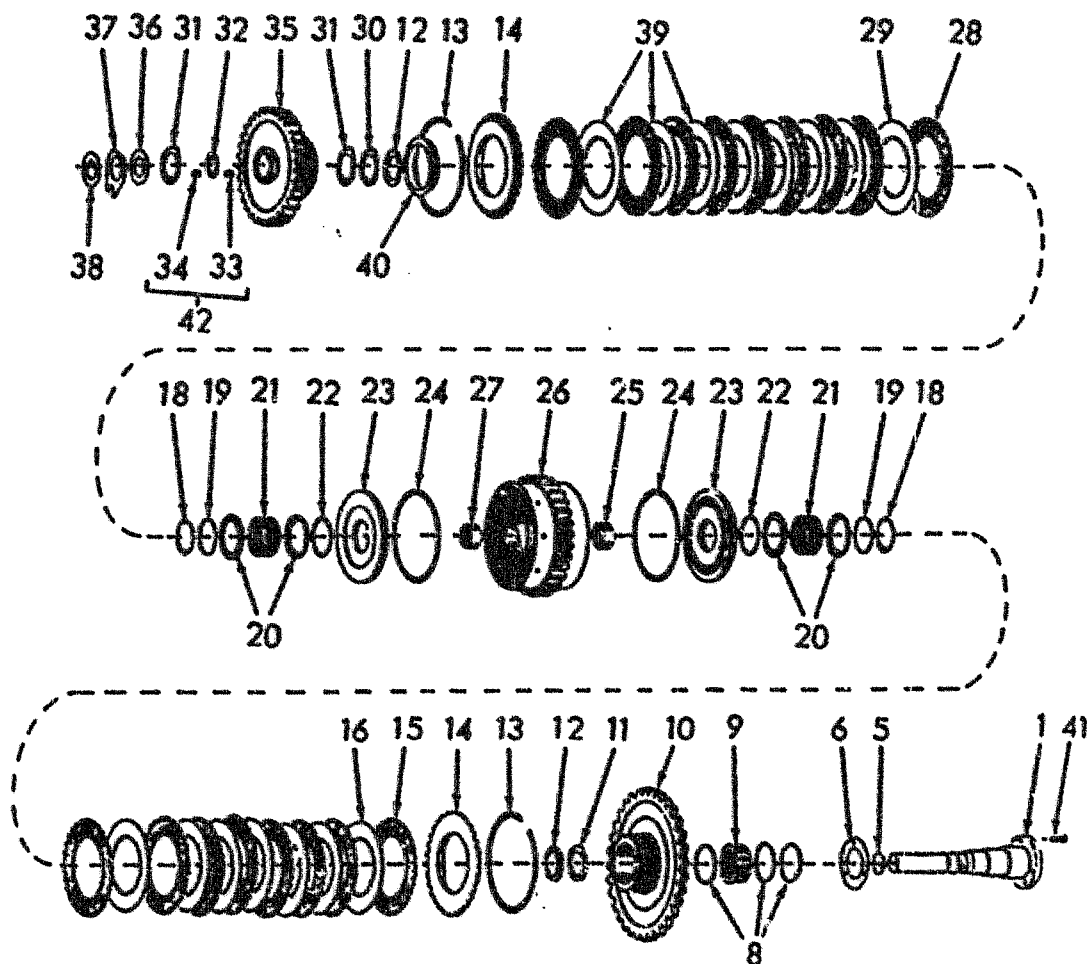
FR11

REVERSE & SECOND RANGE CLUTCH
 FRIZIONE RETROM. E SECONDA VELOCITA
 EMBRAYAGE DE MARCHE ARRIERE ET SECONDE VITESSES
 RUCKWARTSKUPPLUNGSWELLE UND ZWEITER GANG
 EMBRAGUE DE RETROCESO Y SEGUNDA VELOCIDAD

B204

10

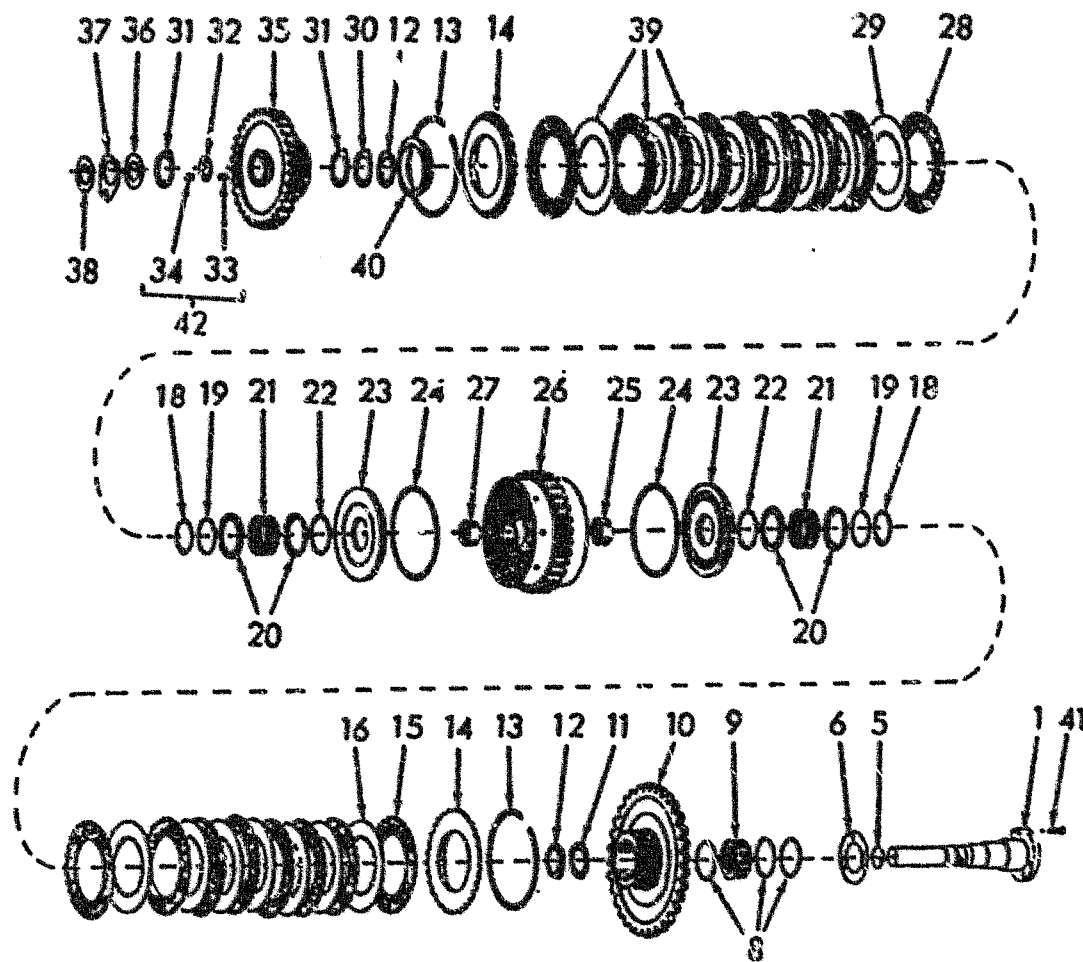
REVISED OCTOBER 1990



T-84101

ITEM	PART NO.	QTY.	CODE	DESCRIPTION	DENOMINAZIONE
28	73143449	10	60D	DISC	DISCO
			600F	OUTER	ESTERNO
			601Q	PRIOR TO TRANS S/N 4568	PRECEDENTE ALLA TRASM NO.
	79072917	10	60D	DISC	DISCO
			600F	OUTER	ESTERNO
			601P	TRANS S/N 4568 AND UP	TRASM NO.... E SEGUENTI
29	73143008	3	60D	DISC(2.5MM)	DISCO
			600E	INNER	INTERNO
30	73142992	1	131R	WASHER	ROSETTA
31	73143439	2	131R	WASHER	ROSETTA
32	73143444	1	60D	DISC	DISCO
33	79064071	14	157R	ROLLER	RULLO
34	79064074	14	157R	ROLLER	RULLO
35	73143440	1	50I	GEAR	INGRANAGGIO
36	73142951	1	131R	WASHER	ROSETTA
37	73142952	1	131R	WASHER	ROSETTA
38	73142853	1	198S	SHIM,ADJUSTMENT(2.0MM)	SPESSORE DI REGISTRO
	73142856	1	198S	SHIM,ADJUSTMENT(3.4MM)	SPESSORE DI REGISTRO
			601Q	PRIOR TO TRANS S/N 4568	PRECEDENT ALLA TRASM NO.
	79064027	1	198S	SHIM,ADJUSTMENT(0.2MM)	SPESSORE DI REGISTRO
	79064028	1	198S	SHIM,ADJUSTMENT(0.4MM)	SPESSORE DI REGISTRO
	79064029	1	198S	SHIM,ADJUSTMENT(0.6MM)	SPESSORE DI REGISTRO
	79064030	1	198S	SHIM,ADJUSTMENT(0.8MM)	SPESSORE DI REGISTRO
	79064031	1	198S	SHIM,ADJUSTMENT(1.0MM)	SPESSORE DI REGISTRO
	79064032	1	198S	SHIM,ADJUSTMENT(1.2MM)	SPESSORE DI REGISTRO
	79064033	1	198S	SHIM,ADJUSTMENT(1.4MM)	SPESSORE DI REGISTRO
	79064034	1	198S	SHIM,ADJUSTMENT(1.6MM)	SPESSORE DI REGISTRO
	79064035	1	198S	SHIM,ADJUSTMENT(1.8MM)	SPESSORE DI REGISTRO
	79064036	1	198S	SHIM,ADJUSTMENT(2.2MM)	SPESSORE DI REGISTRO
	79064037	1	198S	SHIM,ADJUSTMENT(2.4MM)	SPESSORE DI REGISTRO
	79064038	1	198S	SHIM,ADJUSTMENT(2.6MM)	SPESSORE DI REGISTRO
	79064039	1	198S	SHIM,ADJUSTMENT(2.8MM)	SPESSORE DI REGISTRO
			600P	AS REQUIRED	DEFINITO AL MONTAGGIO
39	73143009	14	60D	DISC(2.0MM)	DISCO
			600E	INNER	INTERNO
			600P	AS REQUIRED	DEFINITO AL MONTAGGIO
40	73143442	1	56A	RING, RETAINING	ANELLO DI RITEGNO
41	16043424	3	40V	CAPSCREW	VITE

FR11	REVERSE & SECOND RANGE CLUTCH FRIZIONE RETROM. E SECONDA VELOCITA EMBRAYAGE DE MARCHE ARRIERE ET SECONDE VITESSES RUCKWARTSKUPPLUNGSWELLE UND ZWEITER GANG EMBRAGUE DE RETROCESO Y SEGUNDA VELOCIDAD	B204	10
		REVISED OCTOBER 1990	



T-84101

ITEM PART NO. QTY. LEX. DESCRIPTION

42	79096146	-	129S	KIT
			600L	INCL. ITEMS 33, 34

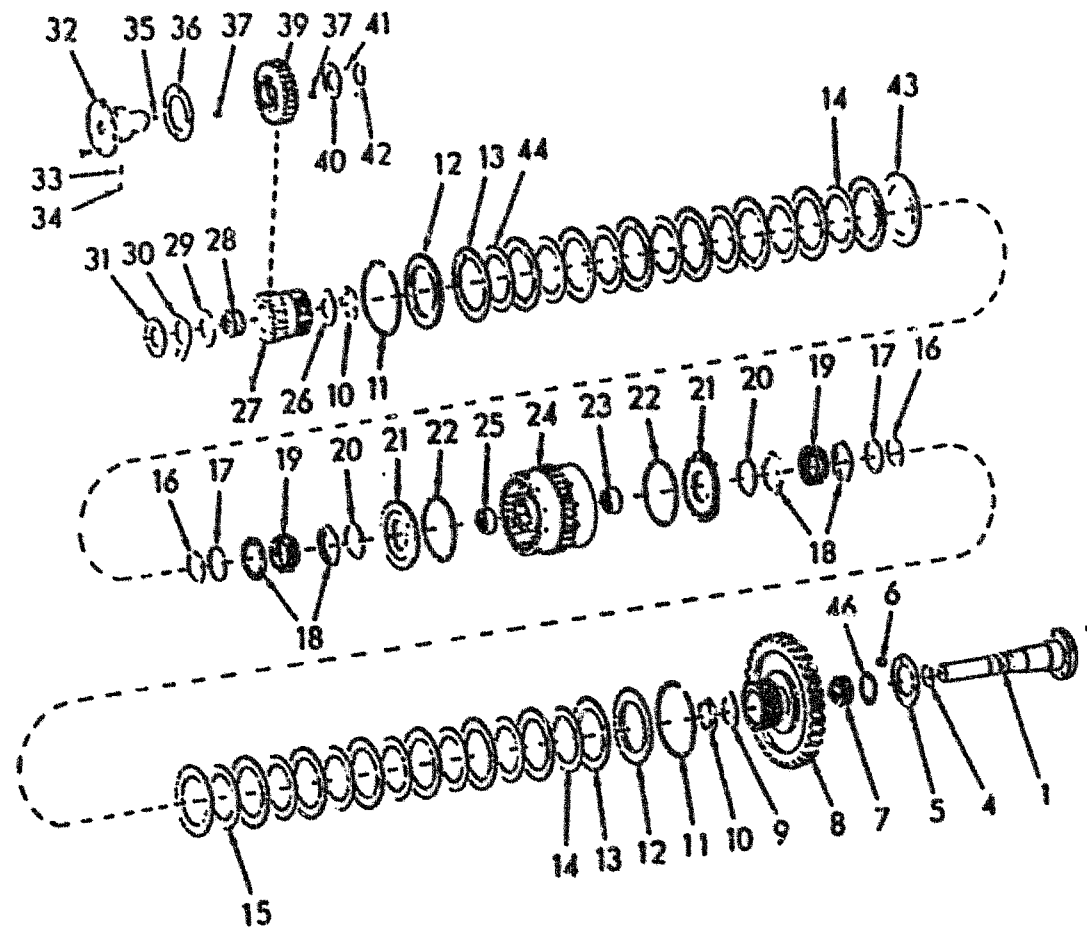
FR11B

REVERSE & SECOND RANGE CLUTCH

B204

10

ADDED OCTOBER 1990



T-04102

ITEM	PART NO.	QTY.	CODE	DESCRIPTION	DENOMINAZIONE
1	79086883	1	16A	SHAFT	ALBERO
	16043424	3	40V	CAPSCREW	VITE
4	79060521	3	45A	RING(SEE PAGE 9)	ANELLO
5	73143438	1	123G	GASKET(SEE PAGE 9)	GUARNIZIONE DI TENUTA
6	73143463	12	157R	ROLLER	RULLO
	79060534	12	157R	ROLLER	RULLO
7	79094462	1	340C	BEARING	CUSCINETTO
8	73143464	1	501	GEAR	INGRANAGGIO
9	73142984	1	131R	WASHER	ROSETTA
10	73142957	2	23R	PLATE, THRUST	RALLA
11	73142999	2	56A	RING, RETAINING	ANELLO DI RITEGNO
12	73142994	2	105P	PLATE	PIASTRA
13	73143004	16	60D	DISC	DISCO
			600F	OUTER	ESTERNO
			6010	PRIOR TO TRANS S/N 4568	PRECEDENTE ALLA TRASH NO.
	79072917	16	60D	DISC	DISCO
			600F	OUTER	ESTERNO
			601P	TRANS S/N 4568 AND UP	TRASH NO.... E SEGUENTI
14	73143009	11	60D	DISC(2.0MM)	DISCO
			600E	INNER	INTERNO
			600P	AS REQUIRED	DEFINITO AL MONTAGGIO
15	79059369	4	60D	DISC(1.5MM)	DISCO
16	73142966	2	51A	LOCKRING	ANELLO DI SICUREZZA
17	73142950	2	145B	GUIDE	GUIDA
18	73142965	4	147G	GUIDE, SPRING	GUIDA MOLLA
19	73142964	2	100M	SPRING	MOLLA
20	73142963	2	45A	RING(SEE PAGE 9)	ANELLO
21	73142995	2	233S	PISTON	STANTUFFO
22	73142996	2	45A	RING(SEE PAGE 9)	ANELLO
23	73142998	1	340C	BEARING	CUSCINETTO
24	73143466	1	75F	CARRIER	FLOTTANTE
25	79066881	1	340C	BEARING	CUSCINETTO
26	73142992	1	131R	WASHER	ROSETTA
27	73143458	1	501	GEAR	INGRANAGGIO
28	79064077	2	340C	BEARING	CUSCINETTO
29	73142951	1	131R	WASHER	ROSETTA
30	73142952	1	131R	WASHER	ROSETTA

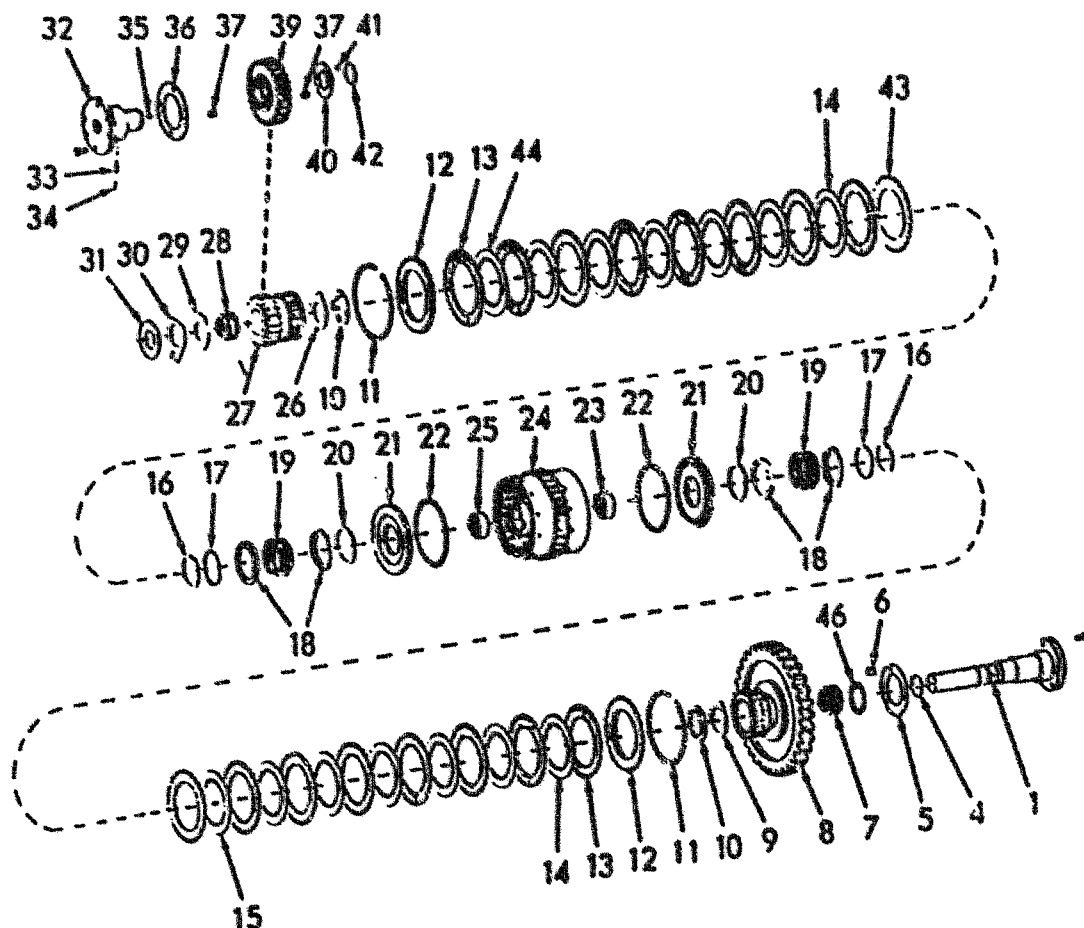
FR11

THIRD & FOURTH RANGE CLUTCH
 FRIZIONE TERZA E QUARTA VELOCITA
 EMBRAYAGE TROISIEME ET QUATRIEME VITESSES
 KUPPLUNGSWELLE - DRITTER/SIERT. GANG
 ENBRAGUE DE TERCERA Y CUARTA VELOCIDAD

8204

11

REVISED OCTOBER 1990

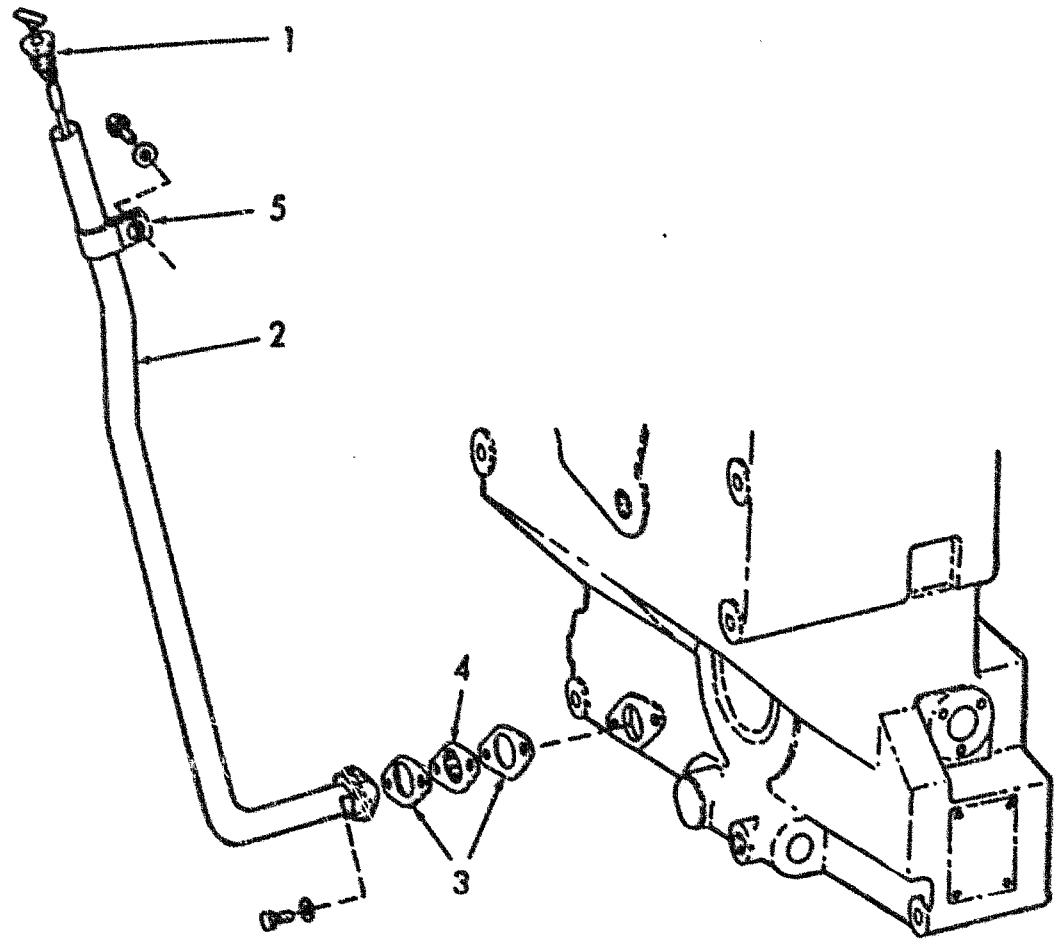


T-84102

ITEM	PART NO.	QTY.	CODE	DESCRIPTION	DENOMINAZIONE
31	73142853	1	198S	SHIM, ADJUSTMENT (2.0MM)	SPESSORE DI REGISTRO
	73142856	1	198S	SHIM, ADJUSTMENT (3.4MM)	SPESSORE DI REGISTRO
			6010	PRIOR TO TRANS S/N 4568	PRECEDENTE ALLA TRASH NO.
	79064027	1	198S	SHIM, ADJUSTMENT (3.0MM)	SPESSORE DI REGISTRO
	79064028	1	198S	SHIM, ADJUSTMENT (3.2MM)	SPESSORE DI REGISTRO
	79064029	1	198S	SHIM, ADJUSTMENT (3.6MM)	SPESSORE DI REGISTRO
	79064030	1	198S	SHIM, ADJUSTMENT (3.8MM)	SPESSORE DI REGISTRO
	79064031	1	198S	SHIM, ADJUSTMENT (4.0MM)	SPESSORE DI REGISTRO
	79064032	1	198S	SHIM, ADJUSTMENT (4.2MM)	SPESSORE DI REGISTRO
	79064033	1	198S	SHIM, ADJUSTMENT (4.4MM)	SPESSORE DI REGISTRO
	79064034	1	198S	SHIM, ADJUSTMENT (4.6MM)	SPESSORE DI REGISTRO
	79064035	1	198S	SHIM, ADJUSTMENT (4.8MM)	SPESSORE DI REGISTRO
	79064036	1	198S	SHIM, ADJUSTMENT (5.0MM)	SPESSORE DI REGISTRO
	79064037	1	198S	SHIM, ADJUSTMENT (5.2MM)	SPESSORE DI REGISTRO
	79064038	1	198S	SHIM, ADJUSTMENT (1.8MM)	SPESSORE DI REGISTRO
	79064039	1	198S	SHIM, ADJUSTMENT (1.6MM)	SPESSORE DI REGISTRO
32	73143434	1	16A	SHAFT	ALBERO
	13516724	1	210P	STUD	PRIGIONIERO
	16100811	1	10D	NUT	DADO
	16043424	4	40V	CAPSCREW	VITE
33	73142840	1	81P	PIN, SECURING	PERNO DI FISSAGGIO
34	73142841	1	81P	PIN, SECURING	PERNO DI FISSAGGIO
35	13709410	1	42V	SCREW	VITE
36	73142832	1	123G	GASKET (SEE PAGE 9)	GUARNIZIONE DI TENUTA
37	79101852	1	129S	KIT, ROLLER (28)	RULLO
39	73143436	1	50I	GEAR	INGRANAGGIO
40	73142833	1	131R	WASHER	ROSETTA
41	73142834	1	157R	ROLLER	RULLO
42	11067476	1	56A	RING, RETAINING	ANELLO DI RITEGNO
44	73143008	4	60D	DISC (2.5MM)	DISCO
			600E	INNER	INTERNO
			600P	AS REQUIRED	DEFINITO AL MONTAGGIO
46	73143462	1	45A	RING	ANELLO

FR11	THIRD & FOURTH RANGE CLUTCH FRIZIONE TERZA E QUARTA VELOCITA EMBRAYAGE TROISIEME ET QUATRTRIEME VITESSES KUPPLUNGSWELLE - DRITTER/BIERT. GANG EMBRAGUE DE TERCERA Y CUARTA VELOCIDAD	B204	11
		REVISED OCTOBER 1990	

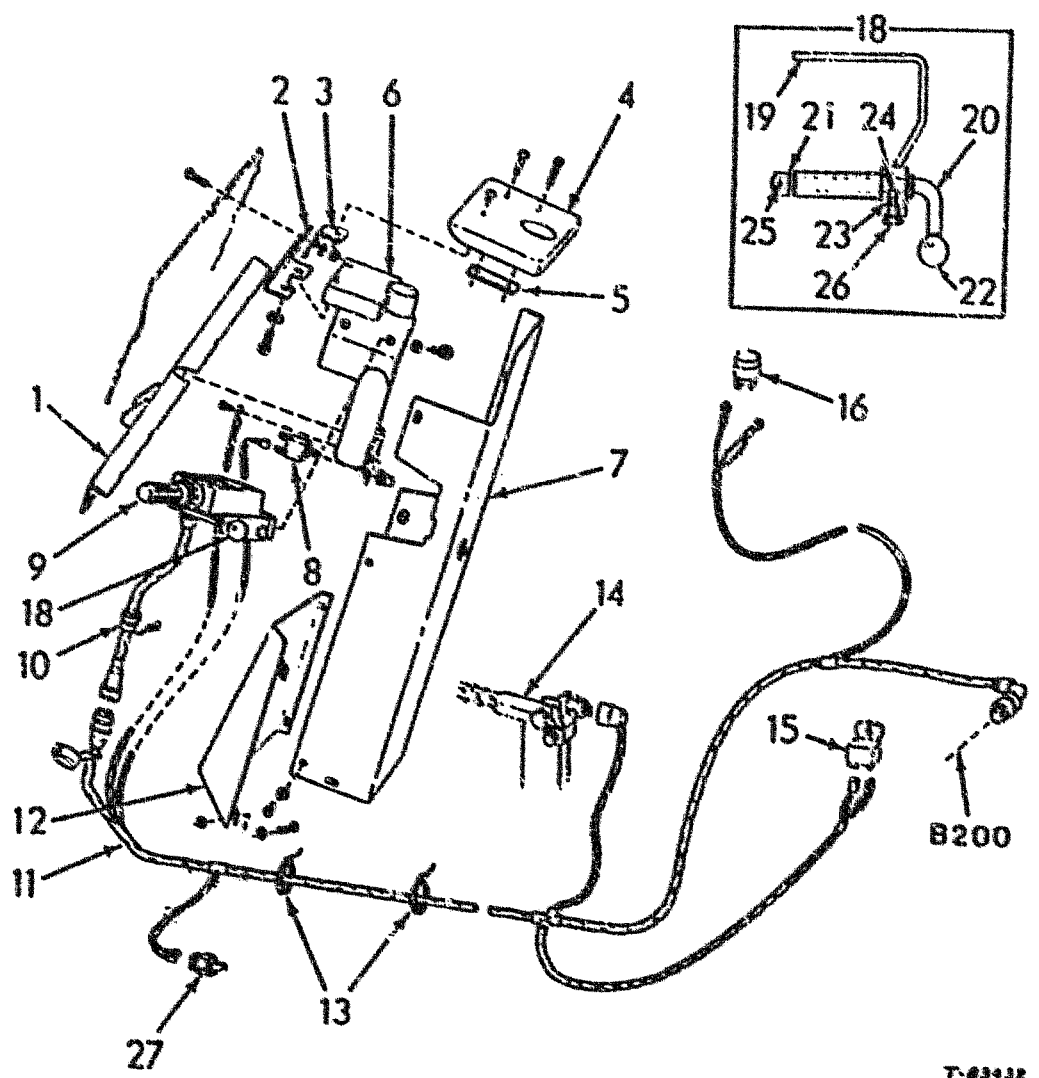
B206(3)



T-84220

ITEM	PART NO.	QTY.	CODE	DESCRIPTION	DENOMINAZIONE
1	79083811	1	91A	DIPSTICK	ASTA DI LIVELLO
2	73143428	1	206T	TUBE	TUBO
	16042724	2	40V	CAPSCREW	VITE
	10730321	2	131R	WASHER	ROSETTA
3	79101792	2	123G	GASKET (SEE PAGE 9)	GUARNIZIONE DI TENUTA
4	73142762	1	20D	DEFLECTOR	DEFLETTORE
5	70926867	1	120M	CLAMP	MORSETTO COLLARE
	15970530	1	40V	CAPSCREW	VITE
	70677006	1	131R	WASHER	ROSETTA

FR11	TRANSMISSION DIPSTICK ASTA LIVELLO TRASMISSIONE JAUGE DE LA BOITE DE VITESSES GETRIEBETAUCHSTAB SONDA DE LA TRANSMISION	B206	3
		REVISED OCTOBER 1990	



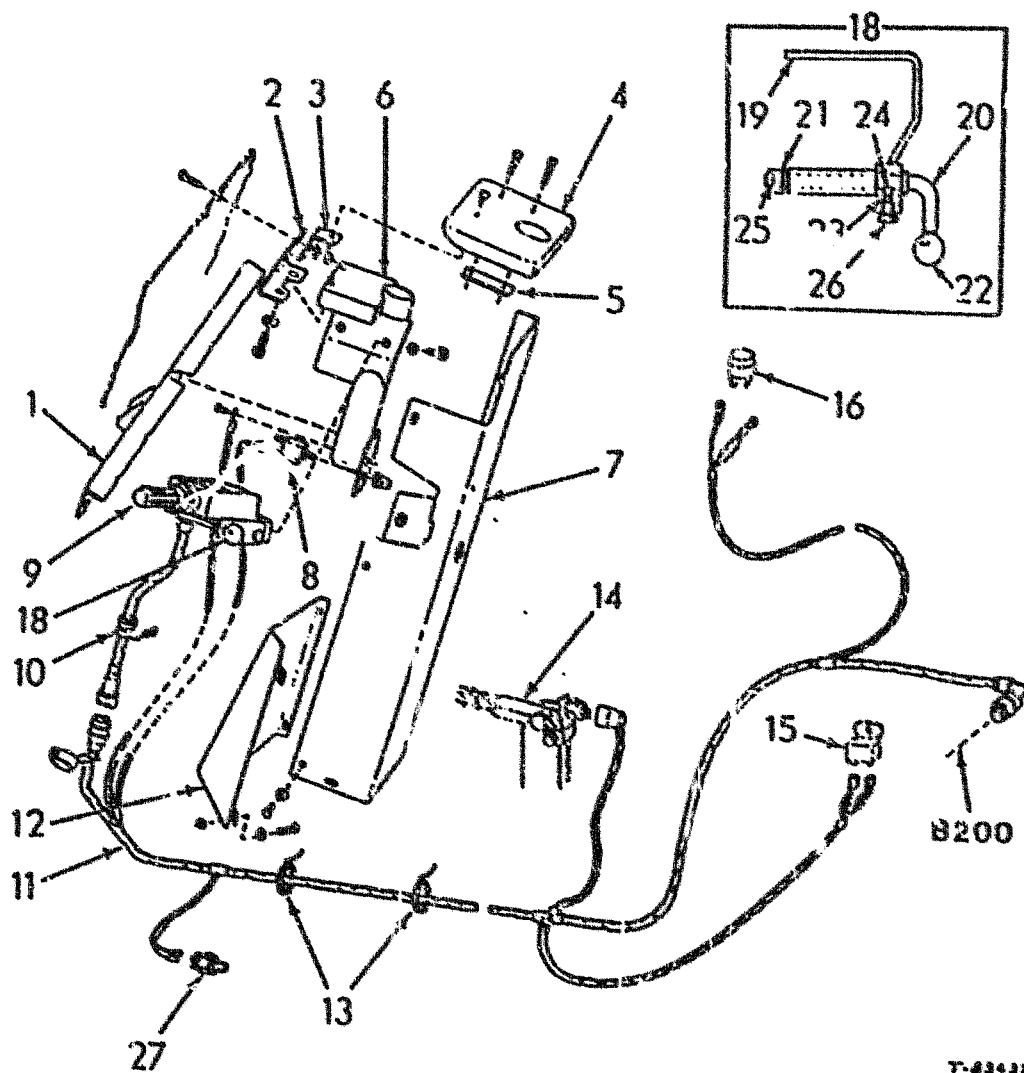
ITEM	PART NO.	QTY.	CODE	DESCRIPTION	DENOMINAZIONE
1	-----	1	80M	BRACKET (L102(11))	MENSOLA
2	73072897	1	105P	PLATE	PIASTRA
	70934844	2	42V	SCREW, 3/8"NC X 1"	VITE
	70930370	2	131R	WASHER	ROSETTA
	70933623	2	10D	NUT, 3/8"NC	DADO
3	73138631	1	60A	ANGLE	ANGOLARE
4	73140989	1	265C	COVER	COPERCHIO
	70933975	3	40V	CAPSCREW, 1/4"NC X 1-1/2"	VITE
5	73071748	1	105P	PLATE	PIASTRA
6	76012486	1	206T	TUBE	TUBO
	70922763	2	40V	CAPSCREW, 3/8"NC X 1"	VITE
	70677006	2	131R	WASHER	ROSETTA
7	73137600	1	265C	COVER	COPERCHIO
	70927541	2	40V	CAPSCREW, 1/4"NC X 3/4"	VITE
	70933978	4	40V	CAPSCREW, 1/4"NC X 3/4"	VITE
	70928190	6	131R	WASHER	ROSETTA
	73054504	6	10D	NUT	DADO
8	79066121	1	671	SWITCH, PUSH BUTTON	INTERRUTT. A PULSANTE
	79069425	1	20C	CAP	CALOTTA
	70933760	1	500J	GROMMET	ANELLO
9	79066285	1	895	SELECTOR, SPEED	SELETTORE DELLE MARCE
	73140054	1	895	SELECTOR, SPEED (REMANUFACTURED)	SELETTORE DELLE MARCE
	16043630	2	40V	CAPSCREW, M6X1.25X25MM	VITE
	70929662	2	131R	WASHER	ROSETTA
10	73137737	1	95B	BUSHING	BUCOLA
11	76011104	1	111C	CABLE, ELECTRIC	CAVO ELETTRICO
	70928182	1	40V	CAPSCREW, 1/4"NC X 1/2"	VITE
	70928190	1	131R	WASHER	ROSETTA
12	76009347	1	115B	GUARD	PROTEZIONE
	76009348	1	115B	GUARD	PROTEZIONE
	70927541	4	40V	CAPSCREW, 1/4"NC X 3/4"	VITE
	70911114	4	131R	WASHER	ROSETTA
	70933621	4	10D	NUT, 1/4"NC	DADO

FR11

TRANSMISSION CONTROL
 COMANDI TRASMISSIONE
 COMMANDE DE LA BOITE DE VITESSES
 GETRIEBESTEUERUNG
 MANDO DE LA TRANSHISION

B207

REVISED OCTOBER 1990



T-83432

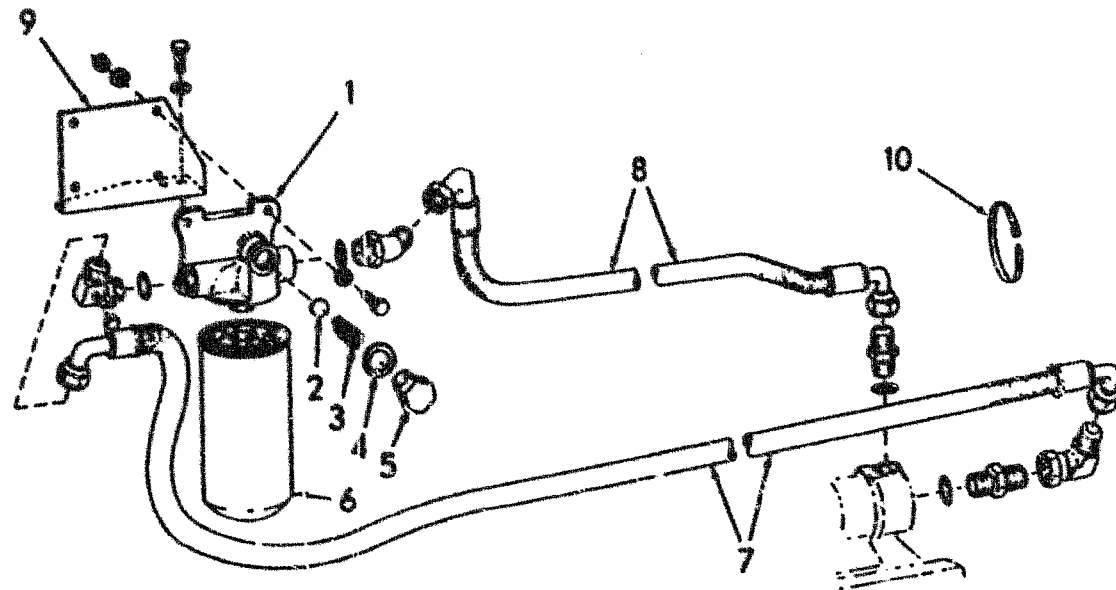
ITEM	PART NO.	QTY.	CODE	DESCRIPTION	DE NOMINAZIONE
13	70925094	-	501H	TIE	TIRANTE
			600P	AS REQUIRED	DEFINITO AL MONTAGGIO
14	-----	1	751	SWITCH(C135(11))	INTERRUTTORE
15	-----	1	85T	RELAY(F401(11))	TELERUTTORE
16	-----	1	751	SWITCH(F401(11))	INTERRUTTORE
17	70739629	1	265C	COVER	COPERCHIO
18	76010830	1	45L	LEVER, NEUTRAL LOCK	LEVA
			600L	INCLUDES ITEMS 19-26	INCLUDE PARTIC.(1)
19	76010831	1	80H	BRACKET	MENSOLA
20	76010832	1	45L	LEVER	LEVA
21	76010833	1	45L	LEVER	LEVA
22	76009491	1	150P	KNOB	POMELLO
23	76011043	1	100H	SPRING	MOLLA
24	20063450	1	1405	BALL	SFERA
25	14111970	1	80P	PIN	PERNO
26	16043021	1	40V	CAPSCREW	VITE
			10571771	132L LOCKWASHER	ROSETTA DI SICUREZZA
			04953103	131R WASHER	ROSETTA
			600P	AS REQUIRED	DEFINITO AL MONTAGGIO
27	79060001	1	751	SWITCH	INTERRUTTORE

FR11

TRANSMISSION CONTROL
 COMANDI TRASMISSIONE
 COMMANDE DE LA BOITE DE VITESSES
 GETRIEBESTUERUNG
 MANDO DE LA TRANSMISION

8207

REVISED OCTOBER 1990



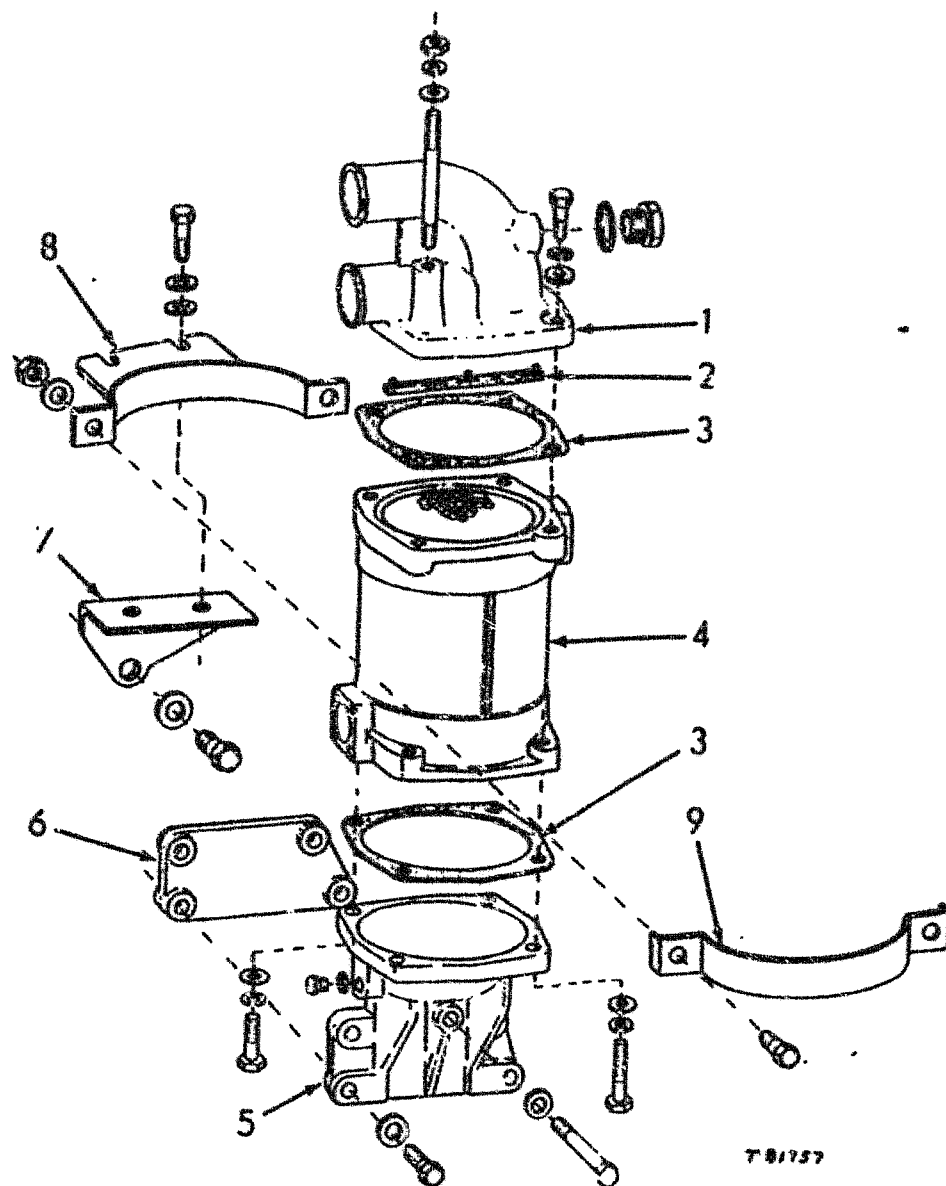
T. 81413

ITEM	PART NO.	QTY.	CODE	DESCRIPTION	DENOMINAZIONE
-	73074445	1	67F	FILTER, OIL	FILTRO OLIO
			600L	INCLUDES ITEM(S)1-6	INCLUDE PARTIC.(1)
	70922287	4	40V	CAPSCREW, 3/8"NC X 1-3/4"	VITE
	70677006	8	131R	WASHER, 3/8"	ROSETTA
	70933623	4	100	NUT, 3/8"NC	DADO
1	73074044	1	21B	BASE	BASE
			600L	INCLUDES ITEM(S)2-5	INCLUDE PARTIC.(1)
2	73075620	1	10V	VALVE	VALVOLA
3	73075621	1	100M	SPRING	MOLLA
4	73075622	1	123G	GASKET	GUARNIZIONE DI TENUTA
5	73075623	1	50T	PLUG	TAPPO
6	73074045	1	20E	FILTER ELEMENT	ELEMENTO FILTRANTE
7	73136484	1	192T	HOSE	TUBO FLESSIBILE
			600Q	SEE HOSE PARTS	VEDERE TUBI FLESSIBILI
	70921467	1	20C	CAP	CALOTTA
	73075035	1	85G	ELBOW	GOMITO
			600K	INCLUDES O-RING	INCLUDE O-RING
	70921214	1	55A	O-RING	ANELLO DI TENUTA
	70919624	1	85G	ELBOW, 1-1/16"	GOMITO
	76011343	1	75B	CONNECTOR	BLOCCETTO CONNESSIONE
	10264660	1	123G	GASKET	GUARNIZIONE DI TENUTA
8	73136485	1	192T	HOSE	TUBO FLESSIBILE
			600Q	SEE HOSE PARTS	VEDERE TUBI FLESSIBILI
	70921228	1	85G	ELBOW	GOMITO
			600K	INCLUDES O-RING	INCLUDE O-RING
	70921214	1	55A	O-RING	ANELLO DI TENUTA
	76011343	1	75B	CONNECTOR	BLOCCETTO CONNESSIONE
	10264660	1	123G	GASKET	GUARNIZIONE DI TENUTA
9	73073648	1	105P	PLATE	PIASTRA
	70927157	2	40V	CAPSCREW, 3/8"NC X 1-3/8"	VITE
	70677006	2	131R	WASHER, 3/8"	ROSETTA
	70933623	2	100	NUT, 3/8"NC	DADO
10	70930871	1	501H	TIE	TIRANTE
				OR	
	04982514	1	501H	TIE	TIRANTE

FR11

TRANSMISSION FILTER & MOUNTING
 FILTRO E FISSAGGIO TRASMISSIONE
 FILTRE DE LA BOITE DE VITESSES ET SUPPORT
 GETRIEBEFILTER UND EINBAU
 FILTRO DE LA TRANSHISION Y SOPORTE

8217



ITEM	PART NO.	QTY.	CODE	DESCRIPTION	DEMINIAZIONE
-	04728627	1	25S	HEAT EXCHANGER ASSY. 600L	SCAMBIATORE DI CALORE INCLUDE PARTIC.(1)
1	04727847	1	263C	COVER	COPERCHIO
	10300711	1	50T	PLUG,M16	TAPPO
	10257050	1	131R	WASHER	ROSETTA
	11307021	3	40V	CAPSCREW, M10 X 1.25 X 40MM	VITE
	13547521	1	210P	STUD,M10 X 1.25 X 80MM	FRIGIONIERO
	10516870	4	131R	WASHER,M10	ROSETTA
	13550401	4	132R	LOCKWASHER	ROSETTA DI SICUREZZA
	12164711	1	10D	NUT,M10	DADO
2	04727848	1	133R	SEAL	ROSETTA DI TENUTA
3	04727849	2	123G	GASKET	GUARNIZIONE DI TENUTA
4	04728628	1	300C	BODY	CORP.
	11307021	2	40V	CAPSCREW, M10 X 1.25 X 40MM	VITE
	15970921	2	40V	CAPSCREW, M10 X 1.25 X 35MM	VITE
	10516870	4	131R	WASHER,M10	ROSETTA
	13550401	4	132R	LOCKWASHER,M10	ROSETTA DI SICUREZZA
5	04728626	1	300S	SUPPORT	SUPPORTO
	10300711	1	50T	PLUG,M16	TAPPO
	10257050	1	131R	WASHER,M16	ROSETTA
	15888821	4	40V	CAPSCREW, M10 X 1.25 X 70MM	VITE
	11190579	4	131R	WASHER,M10	ROSETTA
6	04742149	1	75D	SPACER	DISTANZIALE
7	04776723	1	300S	SUPPORT	SUPPORTO
	15980321	1	40V	CAPSCREW, M16 X 1.25 X 25MM	VITE
	11194271	1	131R	WASHER,M16	ROSETTA
8	04730960	1	80M	BRACKET	MENSOLA
	15970721	2	40V	CAPSCREW, M10 X 1.25 X 25MM	VITE
	11190579	2	132R	LOCKWASHER	ROSETTA DI SICUREZZA
	12642501	2	133R	WASHER,M10.2 X 22	ROSETTA DI TENUTA

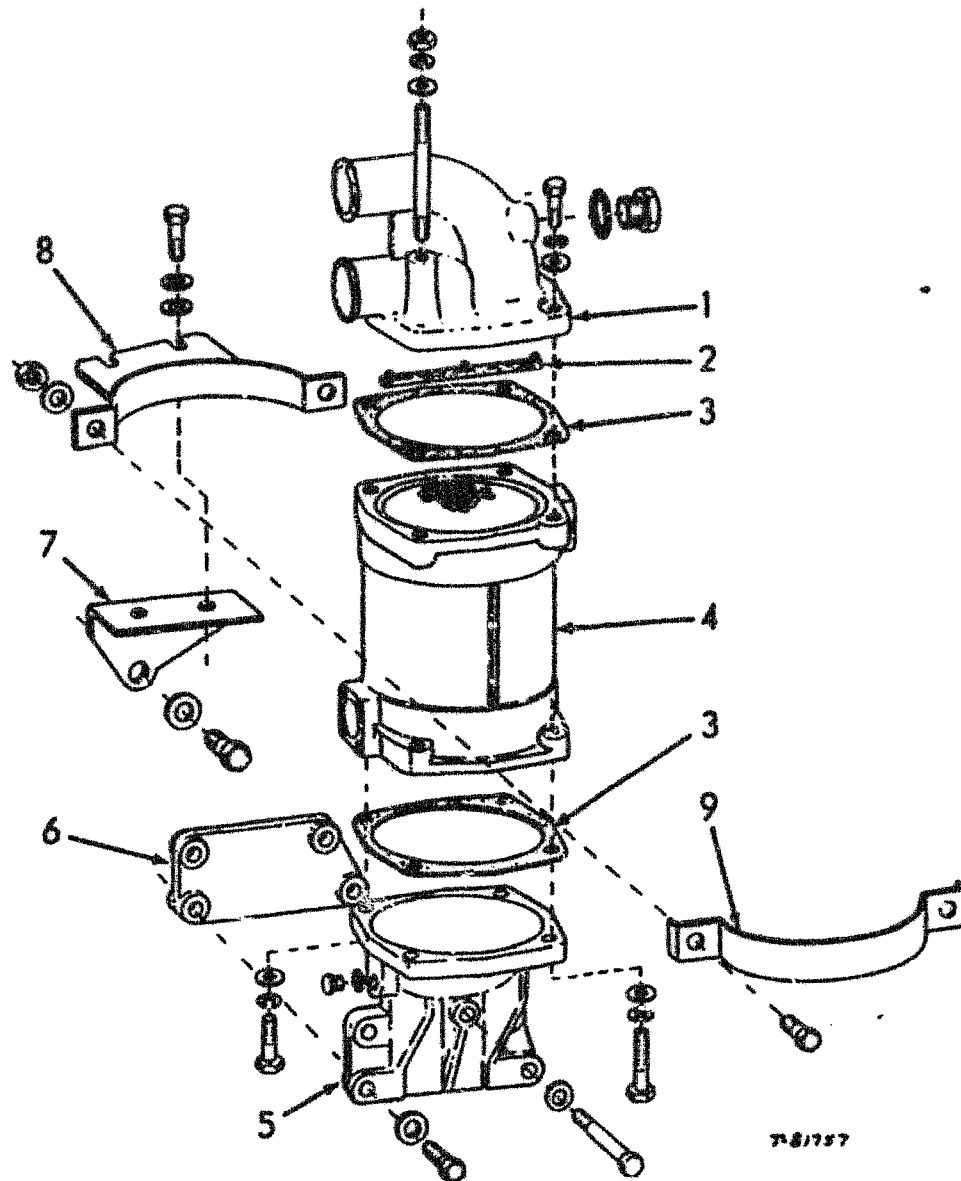
FR11

OIL COOLER, TRANSMISSION (IPRA)
 RAFFREDDAMENTO OLIO TRASMISSIONE
 REFROIDISSEUR D'HUILE BOITE DE VITESSES
 GETRIEBEOLKUEHLER
 ENFRIADOR DE ACEITE TRANSMISION

B218

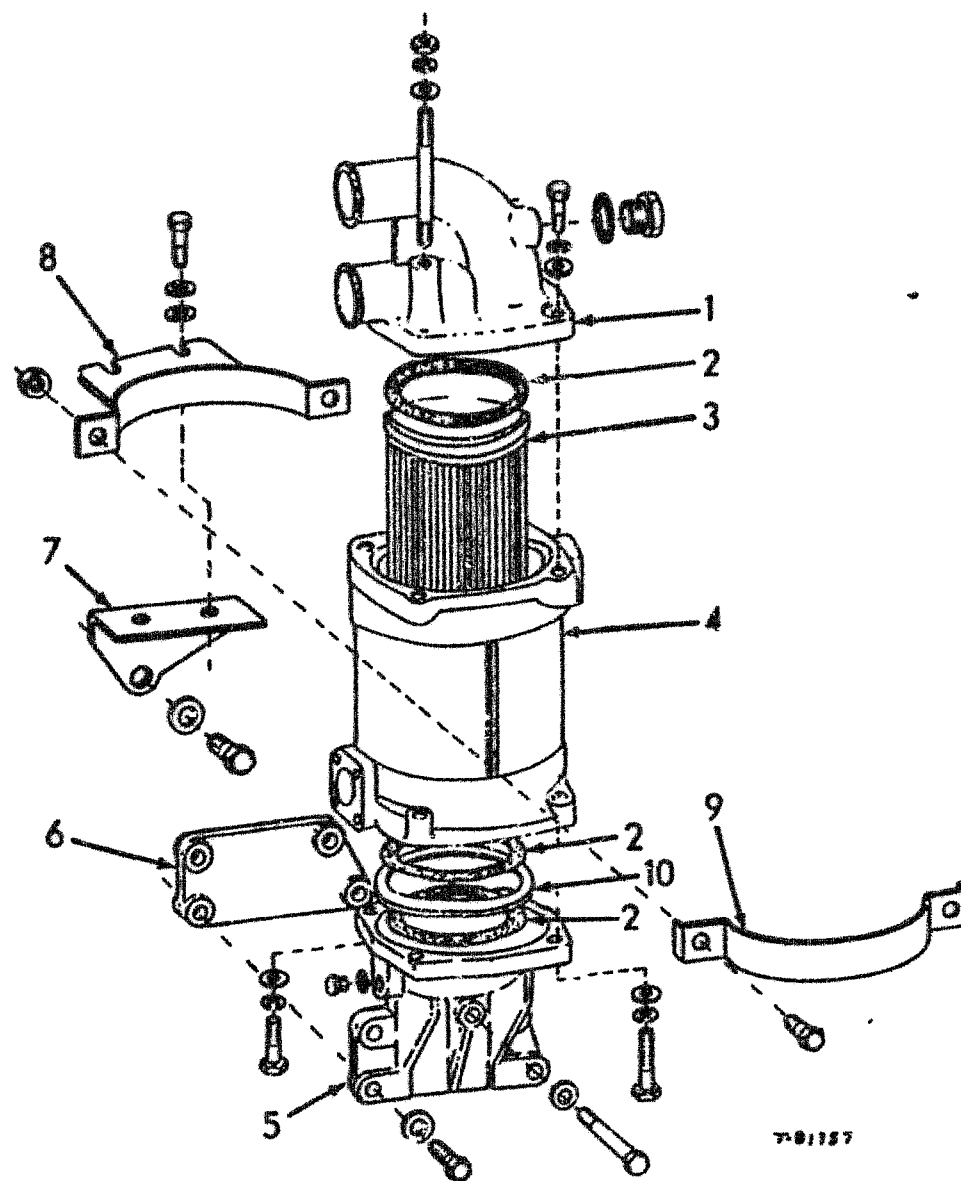
1

ITEM	PART NO.	QTY.	CODE	DESCRIPTION	DENOMINAZIONE
9	04728636	1	14B	STRAP	BANDELLA
	11306921	2	4GV	CAPSCREW, M10 X 1.25 X 30MM	VITE
	14048711	2	10D	NUT, M10 X 1.25 X 11MM	DADO



781757

FR11	OIL COOLER, TRANSMISSION (IPRA) RAFFREDDAMENTO OLIO TRASMISSIONE REFROIDISSEUR D'HUILE BOITE DE VITESSES GETRIEBEOLKUEHLER ENFRIADOR DE ACEITE TRANSMISION	B218	1
------	--	------	---



7-01157

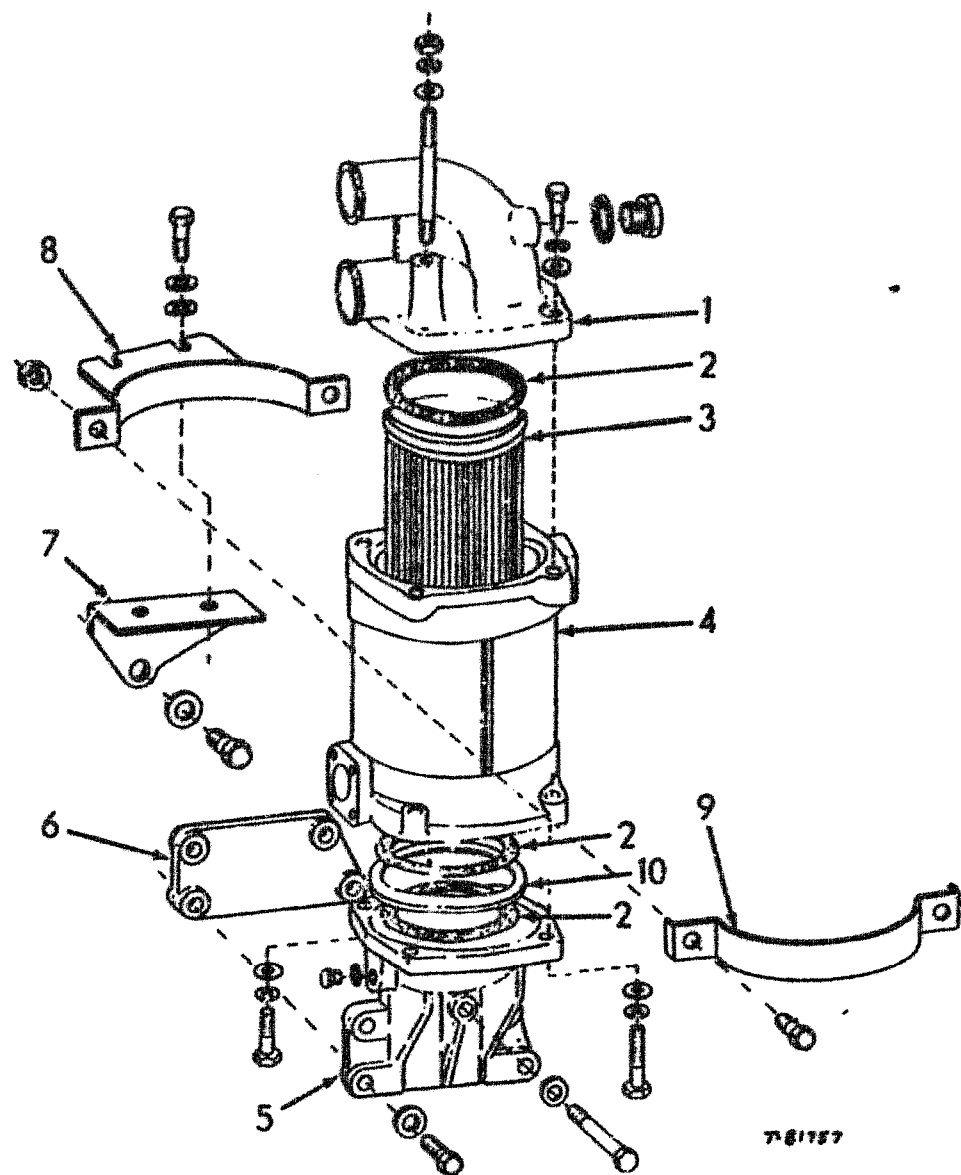
ITEM	PART NO.	QTY.	CODE	DESCRIPTION	DENOMINAZIONE
-	04784447	1	25S	HEAT EXCHANGER ASSY. 600L	SCAMBIATORE DI CALORE INCLUDE PARTIC.(1)
1	04776896	1	265C	COVER	COPERCHIO
	10300711	1	50T	PLUG,M16	TAPPO
	10257050	1	131R	WASHER	ROSETTA
	11307021	3	40V	CAPSCREW, M10 X 1.25 X 40MM	VITE
	13547521	1	210P	STUD,M10 X 1.25 X 80MM	PRIGIONIERO
	13550401	4	131R	WASHER,M10	ROSETTA
	10571871	4	132R	LOCKWASHER	ROSETTA DI SICUREZZA
	12164711	1	100	NUT,M10	DADO
2	04776897	4	55A	O-RING	ANELLO DI TENUTA
3	04776898	1	25S	EXCHANGER, HEAT	SCAMBIATORE DI CALORE
4	04784448	1	300C	BODY	CORPO
	11307021	4	40V	CAPSCREW, M10 X 1.25 X 40MM	VITE
	13550401	4	131R	WASHER,M10	ROSETTA
	10571871	4	132R	LOCKWASHER,M10	ROSETTA DI SICUREZZA
5	04776895	1	300S	SUPPORT	SUPPORTO
	11903211	1	50T	PLUG,M16	TAPPO
	10298450	1	131R	WASHER,M16	ROSETTA
	15888821	4	40V	CAPSCREW, M10 X 1.25 X 70MM	VITE
	11198371	4	131R	WASHER,M10	ROSETTA
6	04742149	1	750	SPACER	DISTANZIALE
7	04730957	1	300S	SUPPORT	SUPPORTO
	15980321	1	40V	CAPSCREW, M16 X 1.25 X 25MM	VITE
	11194271	1	131R	WASHER,M16	ROSETTA
8	04730960	1	80M	BRACKET	MENSOLA
	15970721	2	40V	CAPSCREW, M10 X 1.25 X 25MM	VITE
	12638601	2	132R	LOCKWASHER,M10	ROSETTA DI SICUREZZA
	11198371	2	133R	WASHER,M10	ROSETTA DI TENUTA

FR11

OIL COOLER, TRANSMISSION (TESIO-MOTA)
 RAFFREDDAMENTO OLIO TRASMISSIONE
 REFROIDISSEUR D'HUILE BOITE DE VITESSES
 GETRIEBEOLKUEHLER
 ENFRIADOR DE ACEITE TRANSMISION

B218

1A



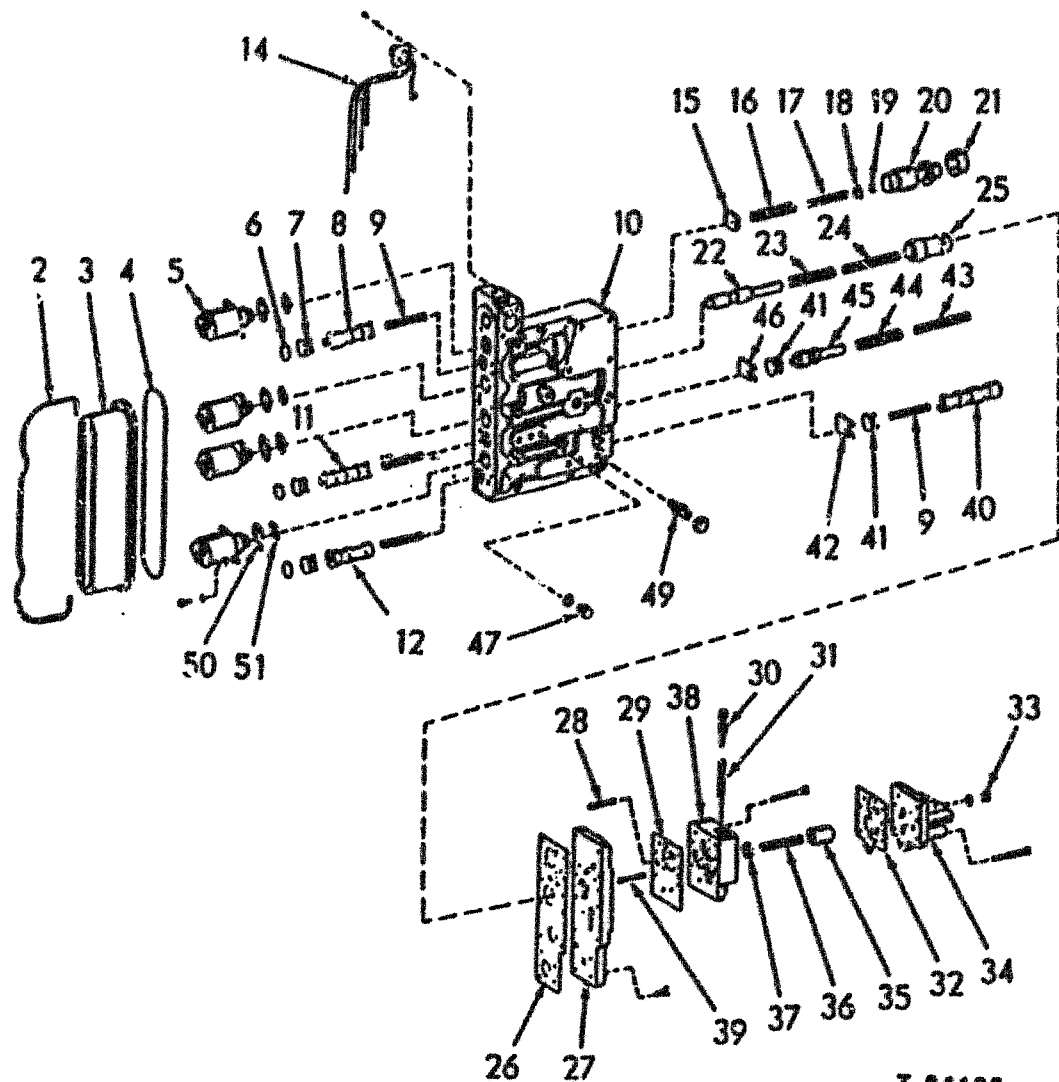
ITEM	PART NO.	QTY.	CODE	DESCRIPTION	DENOMINAZIONE
9	04728636	1	14B	STRAP	BANDELLA
	11306921	2	40V	CAPSCREW, M10 X 1.25 X 30MM	VITE
	11198371	2	131R	WASHER, M10	ROSETTA
	12164711	2	10D	NUT, M10	DADO
10	04788381	1	75D	SPACER	DISTANZIALE

FR11

OIL COOLER, TRANSMISSION (TESIO-MOTA)
 RAFFREDDAMENTO OLIO TRASMISSIONE
 REFROIDISSEUR D'HUILE BOITE DE VITESSES
 GETRIEBEOLKUEHLER
 ENFRIADOR DE ACEITE TRANSMISION

B218

1A



T-84105

ITEM	PART NO.	QTY.	CODE	DESCRIPTION	DENOMINAZIONE
1	73142875	1	83D	VALVE, CONTROL	DISTRIBUTORE
			600L	INCLUDES ITEMS 12-47	INCLUDE PARTIC.(1)
2	73140669	1	89C	CLIP	GRAFFETTA
3	73140667	1	265C	COVER	COPERCHIO
4	73140668	1	55A	O-RING(SEE PAGE 9)	ANELLO DI TENUTA
5	73140658	4	10V	VALVE	VALVOLA
	14304120	8	40V	CAPSCREW	VITE
	10569179	8	131R	WASHER	ROSETTA
6	73140645	3	55A	O-RING(SEE PAGE 9)	ANELLO DI TENUTA
7	73140644	3	100P	DETENT	PETTINE
8	73142800	1	235S	PISTON	STANTUFFO
9	73142801	4	100H	SPRING	MOLLA
10	73142798	1	35S	HOUSING	SCATOLA
11	73142809	1	235S	PISTON	STANTUFFO
12	73142812	1	235S	PISTON	STANTUFFO
14	73140661	1	70I	CABLE HARNESS	INSIEME CAVI
	10374911	4	40V	CAPSCREW	VITE
	12601071	4	132R	LOCKWASHER	ROSETTA DI SICUREZZA
15	73140635	1	100P	DETENT	PETTINE
16	73140636	1	100H	SPRING	MOLLA
17	73140638	1	100H	SPRING	MOLLA
18	73140640	4	80D	DISC	DISCO
			600P	AS REQUIRED	DEFINITO AL MONTAGGIO
19	73143508	1	75D	SPACER	DISTANZIALE
20	73140637	1	235S	PISTON	STANTUFFO
21	73140641	1	59C	SLEEVE	CANNOTTO
22	73142802	1	235S	PISTON	STANTUFFO
23	73142803	1	100H	SPRING	MOLLA
24	73142804	1	100H	SPRING	MOLLA
25	73142805	1	235S	PISTON	STANTUFFO
26	73142814	1	123G	GASKET	GUARNIZIONE DI TENUTA
27	73142813	1	265C	COVER	COPERCHIO
	14358630	7	40V	CAPSCREW	VITE
28	73142954	1	90G	DOWEL	GRANO
29	73142821	1	123G	GASKET	GUARNIZIONE DI TENUTA
30	73142830	1	204V	VALVE, CHECK	VALVOLA DI RITENUTA
31	73142829	1	100H	SPRING	MOLLA

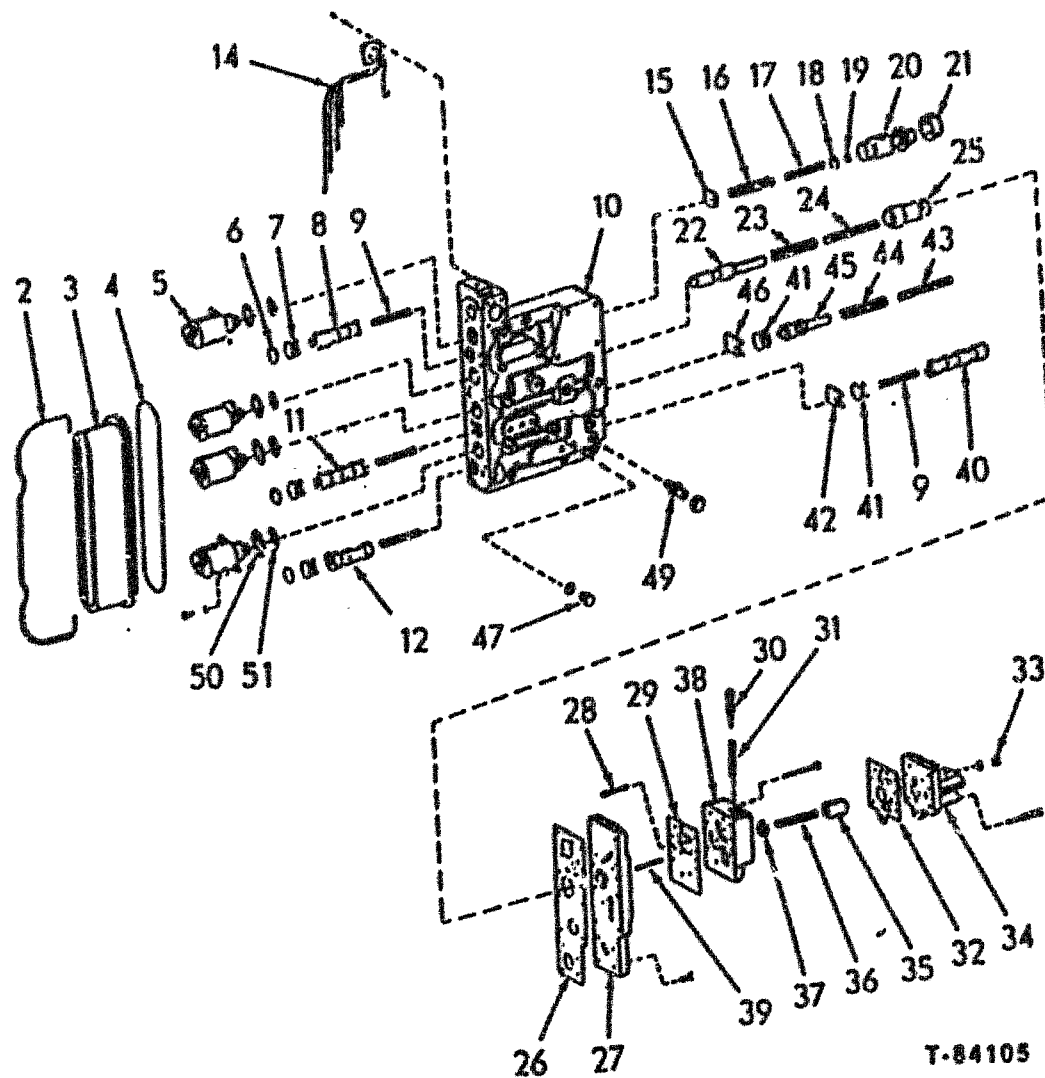
FR11

TRANSMISSION CONTROL VALVE
 DISTRIBUTORE TRASMISSIONE
 DISTRIBUTEUR DE LA BOITE DE VITESSES
 GETRIEBESTEUERVENTIL
 VALVULA DE MANDO DE LA TRANSMISION

8233

1

REVISED OCTOBER 1990



ITEM	PART NO.	QTY.	CODE	DESCRIPTION	DENOMINAZIONE
32	73142823	1	123G	GASKET	GUARNIZIONE DI TENUTA
33	73142828	1	50T	PLUG	TAPPO
	11270060	1	123G	GASKET(SEE PAGE 9)	GUARNIZIONE DI TENUTA
34	73142824	1	164C	CYLINDER	CILINDRO
	73142818	4	40V	CAPSCREW	VITE
35	73142825	1	235S	PISTON	STANTUFFO
36	73142827	1	100H	SPRING	MOLLA
37	73142826	1	45A	RING	ANELLO
38	73142822	1	300C	BODY	CORPO
	14304720	3	40V	CAPSCREW	VITE
39	73142820	1	19V	NEEDLE VALVE	VALVOLA A SPILLO
40	73142811	1	235S	PISTON	STANTUFFO
41	73140649	2	100P	DETENT	PETTINE
42	73142810	1	100P	DETENT	PETTINE
43	73142808	1	100H	SPRING	MOLLA
44	73142807	1	100H	SPRING	MOLLA
45	73142806	1	235S	PISTON	STANTUFFO
46	73140650	1	100P	DETENT	PETTINE
47	73140629	6	50T	PLUG	TAPPO
	11270060	6	123G	GASKET(SEE PAGE 9)	GUARNIZIONE DI TENUTA
			600P	AS REQUIRED	DEFINITO AL MONTAGGIO
49	70919171	5	75B	CONNECTOR	BLOCCETTO CONNESSIONE
	70921467	5	20C	CAP	CALOTTA
50	79093822	4	55A	O-RING	ANELLO DI TENUTA
51	79093823	4	55A	O-RING	ANELLO DI TENUTA

T-84105

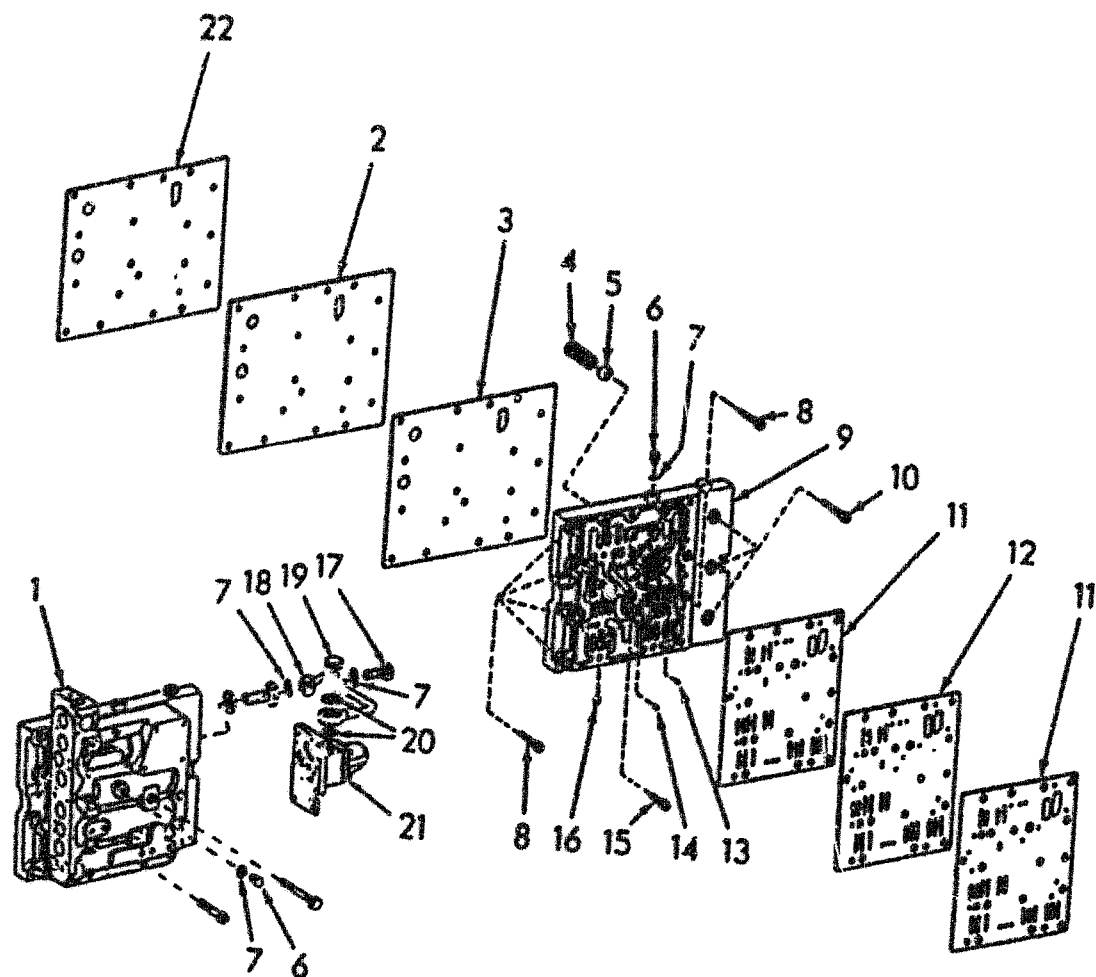
FR11

TRANSMISSION CONTROL VALVE
 DISTRIBUTORE TRASMISSIONE
 DISTRIBUTEUR DE LA BOITE DE VITESSES
 GETRIEBESTEUERVENTIL
 VALVULA DE MANDO DE LA TRANSMISION

B233

1

REVISED OCTOBER 1990



7-84106

ITEM	PART NO.	QTY.	CODE	DESCRIPTION	DENOMINAZIONE
1	-----	1	83D	VALVE, CONTROL (B233)	DISTRIBUTORE
	14359424	6	40V	CAPSCREW, M8 X 75	VITE
	14306824	10	40V	CAPSCREW, M8 X 45	VITE
2	73142776	1	105P	PLATE	PIASTRA
3	79066880	1	123G	GASKET	GUARNIZIONE DI TENUTA
4	73142782	2	100M	SPRING	MOLLA
5	73142781	2	140S	BALL	SFERA
6	73140629	2	90T	PLUG	TAPPO
7	11270060	4	123G	GASKET (SEE PAGE 9)	GUARNIZIONE DI TENUTA
8	14306624	6	40V	CAPSCREW	VITE
9	73142778	1	300C	BODY	CORPO
10	14761820	3	40V	CAPSCREW	VITE
11	79083539	2	123G	GASKET (SEE PAGE 9)	GUARNIZIONE DI TENUTA
12	73142785	1	105P	PLATE	PIASTRA
13	73142780	1	35D	DIAPHRAGM	DIAFRAMMA
14	73142779	1	35D	DIAPHRAGM	DIAFRAMMA
15	14306524	3	40V	CAPSCREW	VITE
16	13790131	1	42V	SCREW	VITE
17	73140601	1	21R	UNION, BANJO	RACCORDO ORIENTABILE
18	79094450	1	206T	TUBE	TUBO
19	73140540	1	21R	UNION, BANJO	RACCORDO ORIENTABILE
20	11270160	2	123G	GASKET	GUARNIZIONE DI TENUTA
21	-----	1	300C	BODY (B233)	CORPO
22	79066879	1	123G	GASKET	GUARNIZIONE DI TENUTA

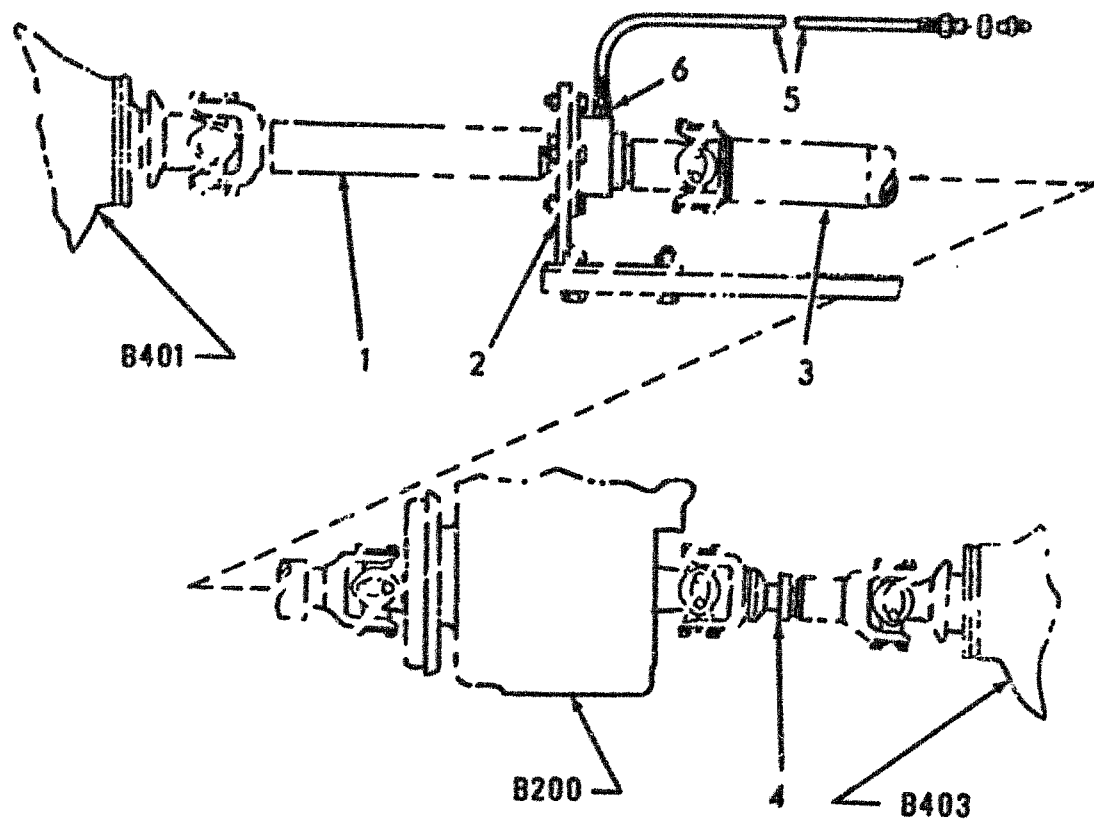
FR11

TRANSMISSION CONTROL VALVE
 DISTRIBUTORE TRASMISSIONE
 DISTRIBUTEUR DE LA BOITE DE VITESSES
 GETRIEBESTEUERVENTIL
 VALVULA DE MANDO DE LA TRANSMISION

B233

2

REVISED OCTOBER 1990

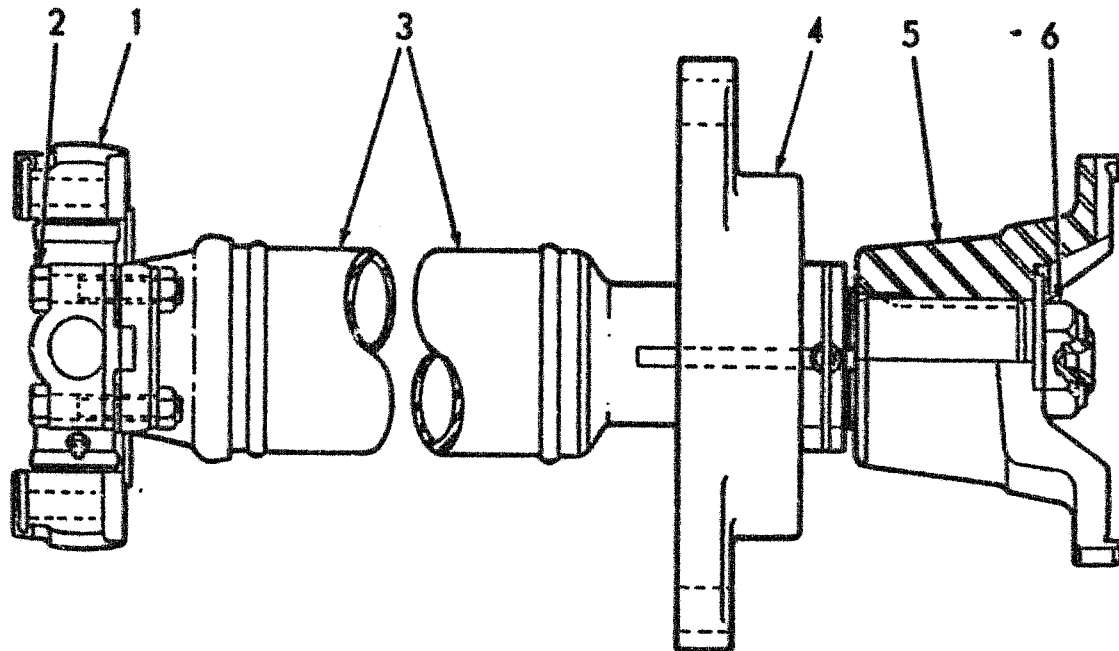


ITEM	PART NO.	QTY.	CODE	DESCRIPTION	DENOMINAZIONE
1	-----	1	8A	SHAFT,DRIVE(B316(1))	ALBERO DI COMANDO
2	-----	-	300S	SUPPORT(B316(3))	SUPPORTO
3	-----	1	8A	SHAFT,DRIVE(B316(2))	ALBERO DI COMANDO
4	-----	1	8A	SHAFT,DRIVE(B316(4))	ALBERO DI COMANDO
5	73066603	1	192T	HOSE	TUBO FLESSIBILE
	70933910	1	600H	SERVICED AS A UNIT	FORNITO COME COMPLESS.
	70912808	1	257C	LOCKNUT, 1/8" NPSM	CONTRODADO
		1	60I	FITTING, LUBRICATION	INGRASSATORE
				1/4"	
				OR	
	13406911	1	60I	FITTING, LUBRICATION	INGRASSATORE
6	76008382	1	20R	FITTING	

T-76661

FR11	DRIVE SHAFT GROUP ALBERO TRASMISSIONE ARBRES D'ENTRAINEMENT ANTRIEBSWELLENGRUPPE EJES PROPULSORES	8301
		REVISED OCTOBER 1990

B316(1)

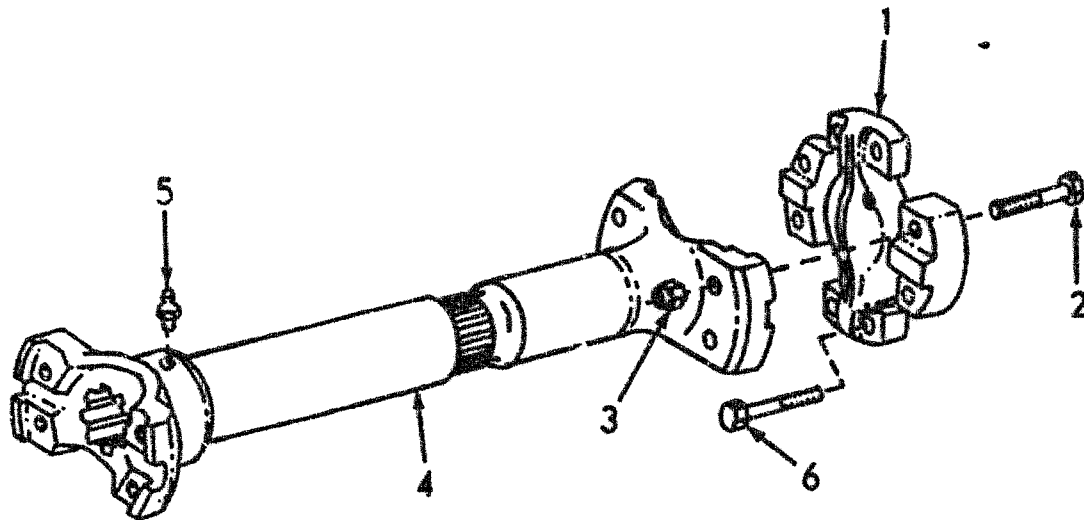


T-84214

ITEM	PART NO.	QTY.	CODE	DESCRIPTION	DENOMINAZIONE
-	79055617	1	16A	SHAFT	ALBERO
			600L	INCLUDES ITEM(S)1-6	INCLUDE PARTIC.(1)
1	76002601	1	320C	SPIDER	CROCIERA
	70925632	4	40V	CAPSCREW, 3/8"NF X 1-3/4"	VITE
	13407211	1	60I	FITTING, LUBRICATION	INGRASSATORE
2	15888721	4	40V	CAPSCREW, 10 X 1.25 X 55MM	VITE
	12574511	4	10D	NUT	DADO
3	-----	1	16A	SHAFT	ALBERO
			600M	ORDER ITEM(S)-	ORDINARE PARTIC.
4	79055618	1	340C	BEARING	CUSCINETTO
5	-----	1	86F	YOKE	FORCELLA
			600M	ORDER ITEM(S)-	ORDINARE PARTIC.
6	-----	1	237C	LOCKNUT, 1"NF	CONTRODADO
			600M	ORDER ITEM(S)-	ORDINARE PARTIC.
	-----	1	131R	WASHER	ROSETTA
			600M	ORDER ITEM(S)-	ORDINARE PARTIC.

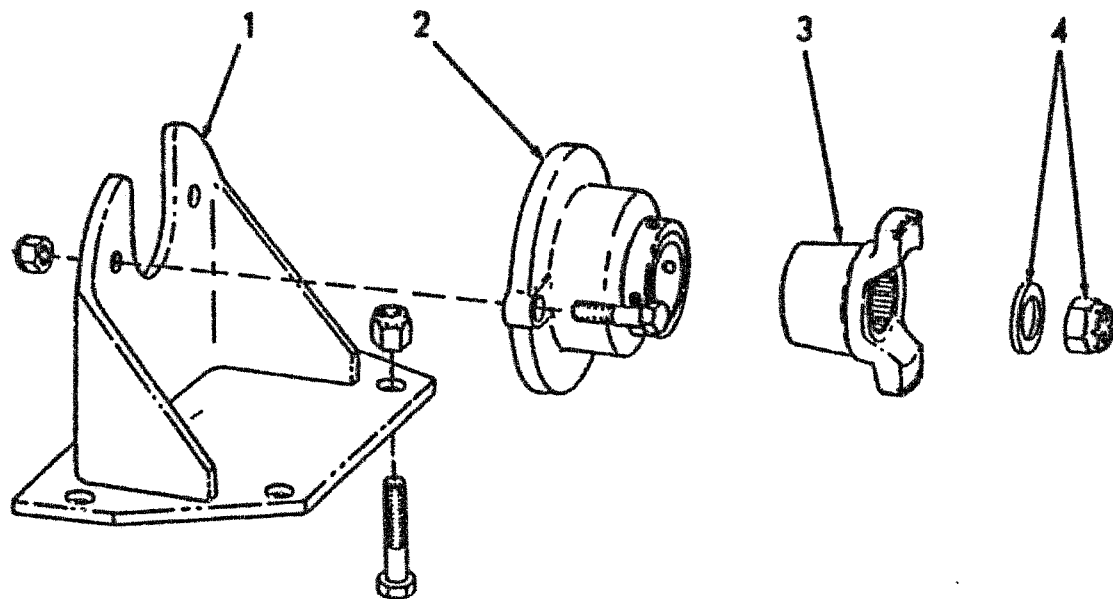
FR11	UNIVERSAL JOINT GIUNTO UNIVERSALE CARDANS KARDANGELENK UNION CARDANICA	B316	1

ITEM	PART NO.	QTY.	CODE	DESCRIPTION	DENOMINAZIONE
-	79055619	1	16A	SHAFT	ALBERO
			600L	INCLUDES ITEM(S)1-5	INCLUDE PARTIC.(1)
1	76002601	2	320C	SPIDER	CROCIERA
2	15888721	8	40V	CAPSCREW, 10 X 1.25 X 55	VITE
3	12574511	8	10D	NUT, 10 X 1.25 X 12.3	DADO
4	-----	1	16A	SHAFT	ALBERO
			600M	ORDER ITEM(S)-	ORDINARE PARTIC.
5	13407211	3	60I	FITTING, LUBRICATION	INGRASSATORE
6	70925632	8	40V	CAPSCREW, 3/8"NF X 1-3/4"	VITE



T-85326

FR11	UNIVERSAL JOINT GUINTO UNIVERSALE CARDANS KARDANGELENK UNION CARDANICA	B316	2

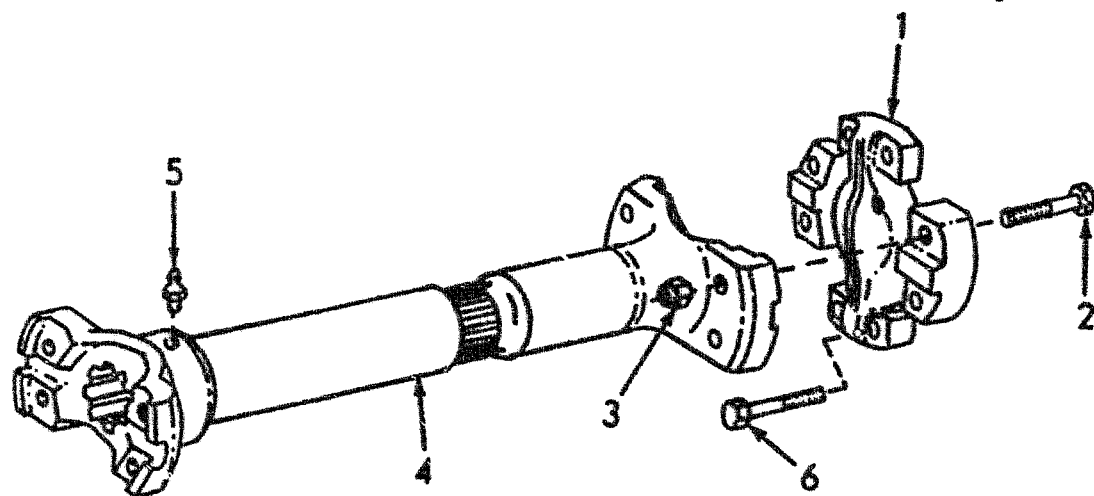


ITEM	PART NO.	QTY.	CODE	DESCRIPTION	DENOMINAZIONE
1	73141204	1	80M	BRACKET	MENSOLA
	70925602	4	40V	CAPSCREW, 3/4"NC X 3"	VITE
	70916170	4	257C	LOCKNUT, 3/4"NC	CONTRODADO
2	-----	1	340C	BEARING(B316(1))	CUSCINETTO
	70921174	2	40V	CAPSCREW, 5/8"NC X 2-1/2"	VITE
	70915256	2	257C	LOCKNUT, 5/8"NC	CONTRODADO
3	-----	1	86F	YOKE(B316(1))	FORCELLA
4	-----	1	257C	LOCKNUT(B316(1))	CONTRODADO
	-----	1	131R	WASHER	ROSETTA

T-76627

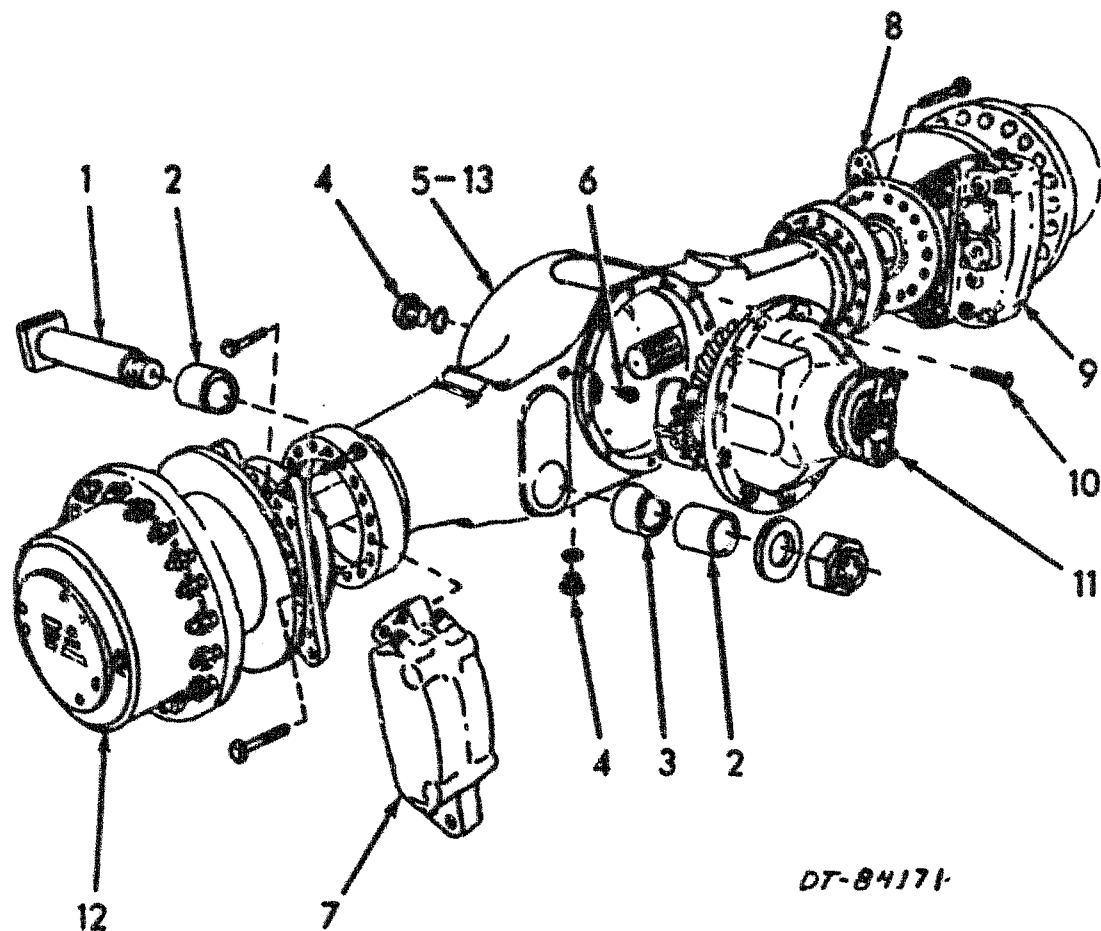
FR11	UNIVERSAL JOINT GIUNTO UNIVERSALE CARDANS KARDANGELENK UNION CARDANICA	B316	3
		REVISED OCTOBER 1990	

ITEM	PART NO.	QTY.	CODE	DESCRIPTION	DENOMINAZIONE
-	79055615	1	16A	SHAFT	ALBERO
			600L	INCLUDES ITEM(S)1-5	INCLUDE PARTIC.(1)
1	76002601	2	320C	SPIDER	CROCIERA
2	15889721	8	40V	CAPSCREW, 10 X 1.25 X 55	VITE
3	12574511	8	10D	NUT, 10 X 1.25 X 12.3	DADO
4	-----	1	16A	SHAFT	ALBERO
			600M	ORDER ITEM(S)-	ORDINARE PARTIC.
5	13407211	3	60I	FITTING, LUBRICATION	INGRASSATORE
6	70925632	8	40V	CAPSCREW, 3/8"NF X 1-3/4"	VITE



T-85326

FR11	UNIVERSAL JOINT GIUNTO UNIVERSALE CARDANS KARDANGELENK UNION CARDANICA	B316	4



ITEM PART NO. QTY. LEX. DESCRIPTION

-	79047201	1	85A	AXLE
			600L	INCLUDES ITEM(S) 5,6,8,10-12
			600I	STANDARD EQUIPMENT
-	a79083202	1	85A	AXLE
			600L	INCL. ITEMS 5,6,8,10-12
1	73036937	2	80P	PIN
	70928136	2	131R	WASHER
	70925284	2	257C	LOCKNUT, 1-1/2"NF
2	79047209	4	95B	BUSHING
3	79047210	2	75D	SPACER
4	10278311	2	50T	PLUG, M28 X 1.5
	10296260	2	123G	GASKET
5	79047202	1	35S	HOUSING
			600L	INCLUDES ITEM(S) 2-4
6	13412190	1	145S	BREATHER
7	-----	1	92F	BRAKE UNIT (C119)
	70922744	6	40V	CAPSCREW, 3/4"NC X 2-1/2"
	70527382	6	131R	WASHER
8	79047206	1	55T	ADAPTER
9	-----	1	92F	BRAKE UNIT (C119)
	70922744	6	40V	CAPSCREW, 3/4"NC X 2-1/2"
	70927382	6	131R	WASHER
10	14276531	16	40V	CAPSCREW
11	-----	1	75F	CARRIER (B404,B404(A,B))
12	-----	2	92S	SHAFT, AXLE (B411)
	14278331	18	40V	CAPSCREW, M20 X 1.5 X 70MM
13	70930984	-	123G	GASKET (3 OZ)
			600P	AS REQUIRED

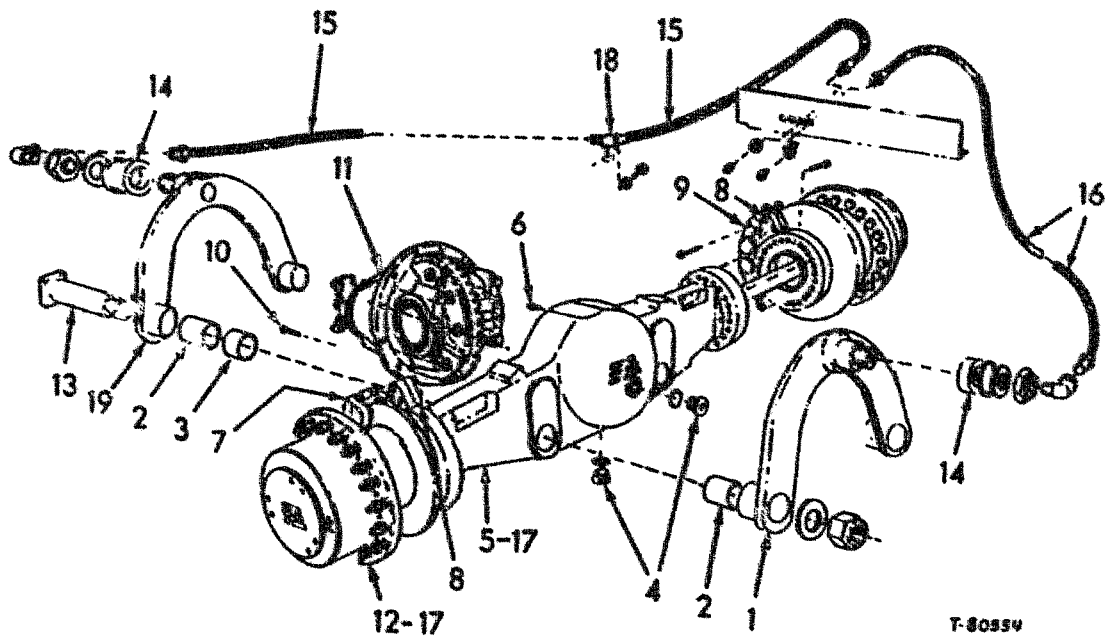
a. Units equipped with Super Max-Trac Differential

FR11

FRONT AXLE & MOUNTING

B401

REVISED NOVEMBER 1990



ITEM	PART NO.	QTY.	LEX.	DESCRIPTION
-	79047201	1	85A	AXLE
			600I	INCLUDES ITEM(S) 5,6,8,10-12
			600I	STANDARD EQUIPMENT
-	a79083202	1	85A	AXLE
			600L	INCL. ITEMS 5,6,8,10-12
1	76018096	1	300S	SUPPORT
	73043902	3	198S	SHIM, ADJUSTMENT
			600P	AS REQUIRED
	73042688	1	131R	WASHER
	70732304	1	257C	LOCKNUT
2	79047209	4	95B	BUSHING
3	79047210	2	75D	SPACER
4	10278311	2	50T	PLUG, M28 X 1.5
	10296260	2	123G	GASKET
5	79047202	1	35S	HOUSING
			600L	INCLUDES ITEM(S) 2-4
6	13412190	1	145S	BREATHER
7	-----	1	92F	BRAKE UNIT (C119)
	70922744	6	40V	CAPSCREW, 3/4"NC X 2-1/2"
	70927382	6	131R	WASHER
8	79047206	1	55T	ADAPTER
9	-----	1	92F	BRAKE UNIT (C119)
	70922744	6	40V	CAPSCREW, 3/4"NC X 2-1/2"
	70927382	6	131R	WASHER
10	14278531	16	40V	CAPSCREW
11	-----	1	75F	CARRIER (B404)
12	-----	2	92S	SHAFT, AXLE (B411)
	14278331	18	40V	CAPSCREW
13	73042335	2	80P	PIN
	70928136	2	131R	WASHER
	70925284	2	257C	LOCKNUT, 1-1/2"NF

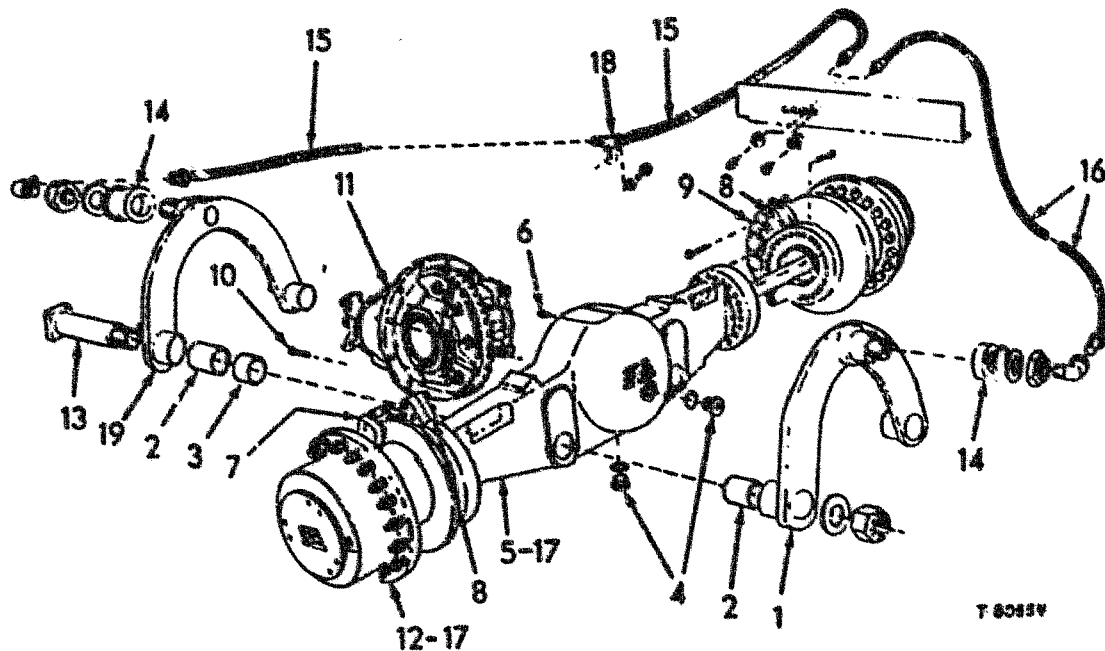
a. Units equipped with Super Max-Trac Differential

FR11

REAR AXLE & MOUNTING

B403

REVISED NOVEMBER 1990



ITEM PART NO. QTY. LEX. DESCRIPTION

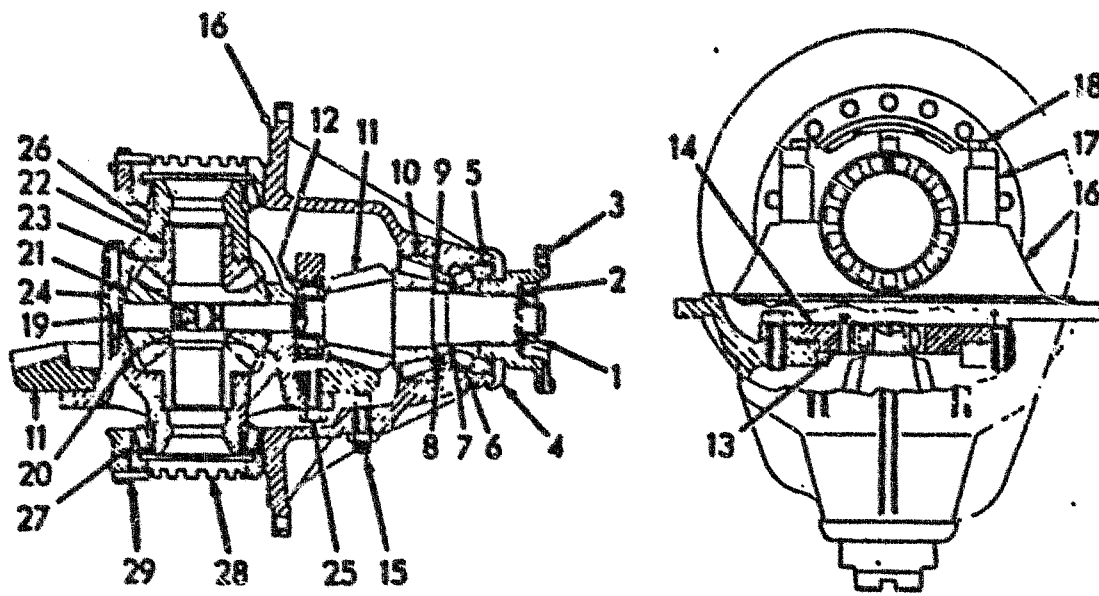
14	-----	2	95B	BUSHING (D101(2))
15	73066607	1	192T	HOSE
	70917013	1	85G	ELBOW
	70912808	1	60I	FITTING, LUBRICATION
	70933010	1	257C	LOCKNUT
			600G	FRONT
16	73066603	1	192T	HOSE
	70917013	1	85G	ELBOW
	70912808	1	60I	FITTING, LUBRICATION
	70933010	1	257C	LOCKNUT
			600H	REAR
17	70930984	-	123G	GASKET (3OZ)
			600P	AS REQUIRED
18	70928656	1	120M	CLAMP
	70922300	1	40V	CAPSCREW, 3/8"NC X 3/4"
	70677006	1	131R	WASHER
19	76018094	1	300S	SUPPORT
	73043902	3	198S	SHIM, ADJUSTMENT
			600P	AS REQUIRED
	73042688	1	131R	WASHER
	70732304	1	257C	LOCKNUT

FR11

REAR AXLE & MOUNTING

B403

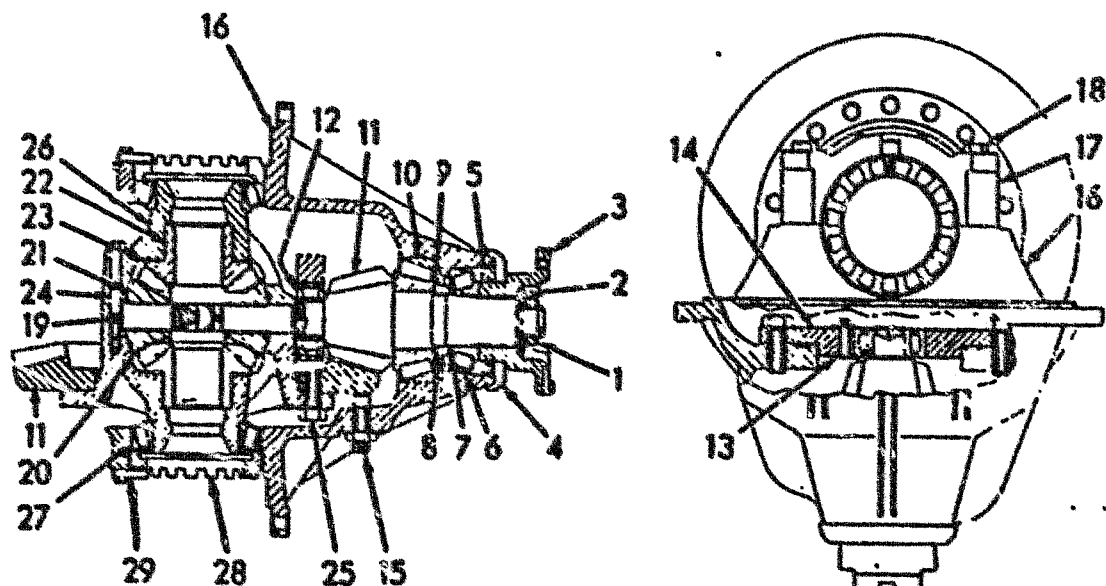
REVISED NOVEMBER 1990



ITEM	PART NO.	QTY.	CODE	DESCRIPTION	DENOMINAZIONE
-	79047203	1	400	DIFFERENTIAL	DIFFERENZIALE
			600L	INCLUDES ITEM(S)1-29	INCLUDE PARTIC.(1)
1	79047474	1	100	NUT	DADO
2	79039859	1	131R	WASHER	ROSETTA
3	79047250	1	500H	YOKE, U-JOINT	FORCELLA
4	79047217	1	265C	COVER	COPERCHIO
5	79047473	1	133R	SEAL	GUARNIZIONE TENUTA
6	79039901	1	341C	BEARING	CUSCINETTO
7	79039864	-	198S	SHIM,ADJUSTMENT(0.5MM)	SPESSORE DI REGISTRO
	79039865	-	198S	SHIM,ADJUSTMENT(1.0MM)	SPESSORE DI REGISTRO
	79039866	-	198S	SHIM,ADJUSTMENT(1.025M)	SPESSORE DI REGISTRO
	79039867	-	198S	SHIM,ADJUSTMENT(1.050M)	SPESSORE DI REGISTRO
	79039868	-	198S	SHIM,ADJUSTMENT(1.075M)	SPESSORE DI REGISTRO
	79039869	-	198S	SHIM,ADJUSTMENT(1.1MM)	SPESSORE DI REGISTRO
	79039870	-	198S	SHIM,ADJUSTMENT(1.125M)	SPESSORE DI REGISTRO
	79039871	-	198S	SHIM,ADJUSTMENT(1.150M)	SPESSORE DI REGISTRO
	79039872	-	198S	SHIM,ADJUSTMENT(1.175M)	SPESSORE DI REGISTRO
	79039873	-	198S	SHIM,ADJUSTMENT(1.2MM)	SPESSORE DI REGISTRO
	79039874	-	198S	SHIM,ADJUSTMENT(1.225M)	SPESSORE DI REGISTRO
	79039875	-	198S	SHIM,ADJUSTMENT(1.250M)	SPESSORE DI REGISTRO
	79039876	-	198S	SHIM,ADJUSTMENT(1.275M)	SPESSORE DI REGISTRO
	79039877	-	198S	SHIM,ADJUSTMENT(1.3MM)	SPESSORE DI REGISTRO
	79039878	-	198S	SHIM,ADJUSTMENT(1.325M)	SPESSORE DI REGISTRO
	79039879	-	198S	SHIM,ADJUSTMENT(1.350M)	SPESSORE DI REGISTRO
	79039880	-	198S	SHIM,ADJUSTMENT(1.375M)	SPESSORE DI REGISTRO
	79039881	-	198S	SHIM,ADJUSTMENT(1.4MM)	SPESSORE DI REGISTRO
	79039882	-	198S	SHIM,ADJUSTMENT(1.425M)	SPESSORE DI REGISTRO
	79039883	-	198S	SHIM,ADJUSTMENT(1.450M)	SPESSORE DI REGISTRO
	79039884	-	198S	SHIM,ADJUSTMENT(1.475M)	SPESSORE DI REGISTRO
	79039885	-	198S	SHIM,ADJUSTMENT(1.5MM)	SPESSORE DI REGISTRO
			600P	AS REQUIRED	DEFINITO AL MONTAGGIO
8	79047216	1	750	SPACER	DISTANZIALE

USAGE: STANDARD EQUIPMENT

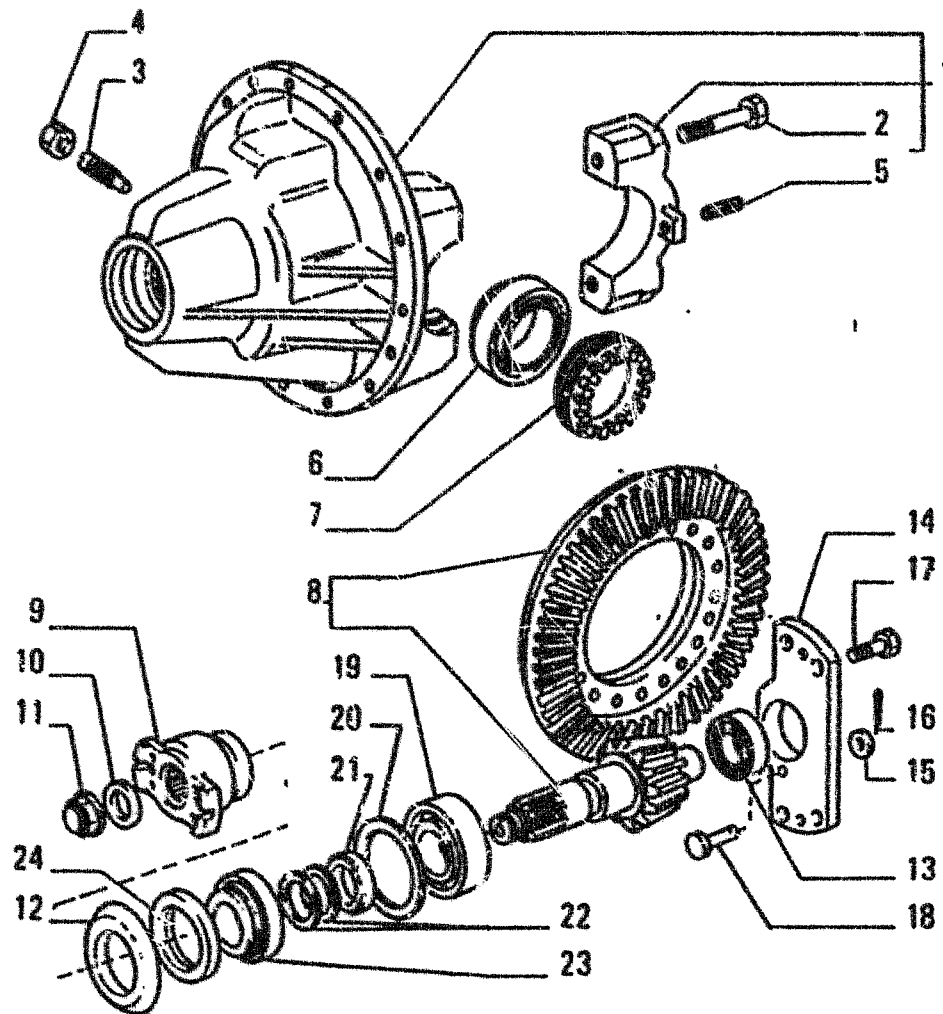
FR11	DIFFERENTIAL ASSEMBLY (FRONT & REAR) DIFFERENZIALE DIFFERENTIEL (AVANT ET ARRIERE) DIFFERENTIALGETRIEBE (VORN UND HINTEN) DIFERENCIAL (DELANTERO Y TRASERO)	B404
		REVISED OCTOBER 1990



ITEM	PART NO.	QTY.	CODE	DESCRIPTION	DENOMINAZIONE
9	79047413	-	198S	SHIM, ADJUSTMENT (3.5MM)	SPESSORE DI REGISTRO
	79047414	-	198S	SHIM, ADJUSTMENT (3.6MM)	SPESSORE DI REGISTRO
	79047415	-	198S	SHIM, ADJUSTMENT (3.7MM)	SPESSORE DI REGISTRO
	79047416	-	198S	SHIM, ADJUSTMENT (3.8MM)	SPESSORE DI REGISTRO
	79047417	-	198S	SHIM, ADJUSTMENT (3.9MM)	SPESSORE DI REGISTRO
	79053331	-	198S	SHIM, ADJUSTMENT (4.0MM)	SPESSORE DI REGISTRO
	79053332	-	198S	SHIM, ADJUSTMENT (4.1MM)	SPESSORE DI REGISTRO
	79053333	-	198S	SHIM, ADJUSTMENT (4.2MM)	SPESSORE DI REGISTRO
	79053334	-	198S	SHIM, ADJUSTMENT (4.3MM)	SPESSORE DI REGISTRO
	79053335	-	198S	SHIM, ADJUSTMENT (4.4MM)	SPESSORE DI REGISTRO
	79053336	-	198S	SHIM, ADJUSTMENT (4.5MM)	SPESSORE DI REGISTRO
			600P	AS REQUIRED	DEFINITO AL MONTAGGIO
10	79039900	1	341C	BEARING	CUSCINETTO
11	79047213	1	286C	GEAR SET	COPPIA DI INGRANAGGI
12	79037536	1	341C	BEARING	CUSCINETTO
13	79047639	1	80P	PIN	PERNO
	79047640	1	131R	WASHER	ROSETTA
	10796490	1	81P	PIN, SECURING	PERNO DI FISSAGGIO
14	79047215	1	300S	SUPPORT	SUPPORTO
	14257831	4	40V	CAPSCREW	VITE
15	79047223	1	51V	SCREW, ADJUSTABLE	VITE DI REGOLAZIONE
	10726721	1	100	NUT	DADO
16	79047211	1	75F	CARRIER	FLOTTANTE
			600L	INCLUDES ITEM(S) 17, 18	INCLUDE PARTIC.(1)
17	-----	2	20C	CAP	CALOTTA
			600M	ORDER ITEM(S) 16	ORDINARE PARTIC.
18	14259231	4	40V	CAPSCREW, M16 X 1.5 X 100MM	VITE
19	79047220	1	320C	SPIDER	CROCIERA
20	79047219	4	501	GEAR	INGRANAGGIO
21	79047222	4	131R	WASHER	ROSETTA
22	79047218	2	501	GEAR	INGRANAGGIO
23	79047221	2	131R	WASHER	ROSETTA
24	14279631	8	40V	CAPSCREW	VITE
25	14257831	16	40V	CAPSCREW	VITE
26	79047212	1	35S	HOUSING	SCATOLA
27	79042277	2	341C	BEARING	CUSCINETTO
28	79047214	2	45A	RING	ANELLO
29	14607270	2	81P	PIN, SECURING	PERNO DI FISSAGGIO

USAGE: STANDARD EQUIPMENT

FR11	DIFFERENTIAL ASSEMBLY (FRONT & REAR) DIFFERENZIALE DIFFERENTIEL (AVANT ET ARRIERE) DIFFERENTIALGETRIEBE (VORN UND HINTEN) DIFERENCIAL (DELANTERO Y TRASERO)	8404
		REVISED OCTOBER 1990



ITEM	PART NO.	QTY.	CODE	DESCRIPTION	DENOMINAZIONE
-	79083203	1	40D	DIFFERENTIAL	DIFFERENZIALE
			600L	INCLUDES ITEMS 1-24 & ITEMS 1-10 ON B404(B)	INCLUDE PARTIC.(1)
1	79047211	1	300S	SUPPORT	SUPPORTO
2	14259231	4	40V	CAPSCREW, 16X1.3X100	VITE
3	79047223	1	238P	ROD, PUSH	PUNTALE
4	10727721	1	100	NUT, 20X1.5X9	DADO
5	14607270	2	270C	PIN, SPLIT	COPIGLIA
6	79042277	2	340C	BEARING	CUSCINETTO
7	79047214	2	50G	NUT, RING	GHIERA
8	79047213	1	285C	BEAR/PINION SET	COPPIA CONICA
9	79047250	1	70F	FLANGE	FLANGIA
10	79039859	1	131R	WASHER	ROSETTA
11	79047474	1	100	NUT	DADO
12	79047217	1	70R	CANOPY	RIPARO
13	79037536	1	340C	BEARING	CUSCINETTO
14	79047215	1	190T	HOLDDOWN	TRAVERSA
15	79047640	1	131R	WASHER	ROSETTA
16	10796400	1	270C	PIN, SPLIT	COPIGLIA
17	14257831	4	40V	CAPSCREW, 16X1.3X35	VITE
18	79047639	1	90P	PIN	PERNO
19	79039900	1	340C	BEARING	CUSCINETTO
20	79047413	-	198S	SHIM, ADJUSTMENT, 3.5	SPESSORE DI REGISTRO
	79047414	-	198S	SHIM, ADJUSTMENT, 3.6	SPESSORE DI REGISTRO
	79047415	-	198S	SHIM, ADJUSTMENT, 3.7	SPESSORE DI REGISTRO
	79047416	-	198S	SHIM, ADJUSTMENT, 3.8	SPESSORE DI REGISTRO
	79047417	-	198S	SHIM, ADJUSTMENT, 3.9	SPESSORE DI REGISTRO
	79053331	-	198S	SHIM, ADJUSTMENT, 4.0	SPESSORE DI REGISTRO
	79053332	-	198S	SHIM, ADJUSTMENT, 4.1	SPESSORE DI REGISTRO
	79053333	-	198S	SHIM, ADJUSTMENT, 4.2	SPESSORE DI REGISTRO
	79053334	-	198S	SHIM, ADJUSTMENT, 4.3	SPESSORE DI REGISTRO
	79053335	-	198S	SHIM, ADJUSTMENT, 4.4	SPESSORE DI REGISTRO
	79053336	-	198S	SHIM, ADJUSTMENT, 4.5	SPESSORE DI REGISTRO
21	79047216	1	750	SPACER	DISTANZIALE

USAGE: SPECIAL EQUIPMENT

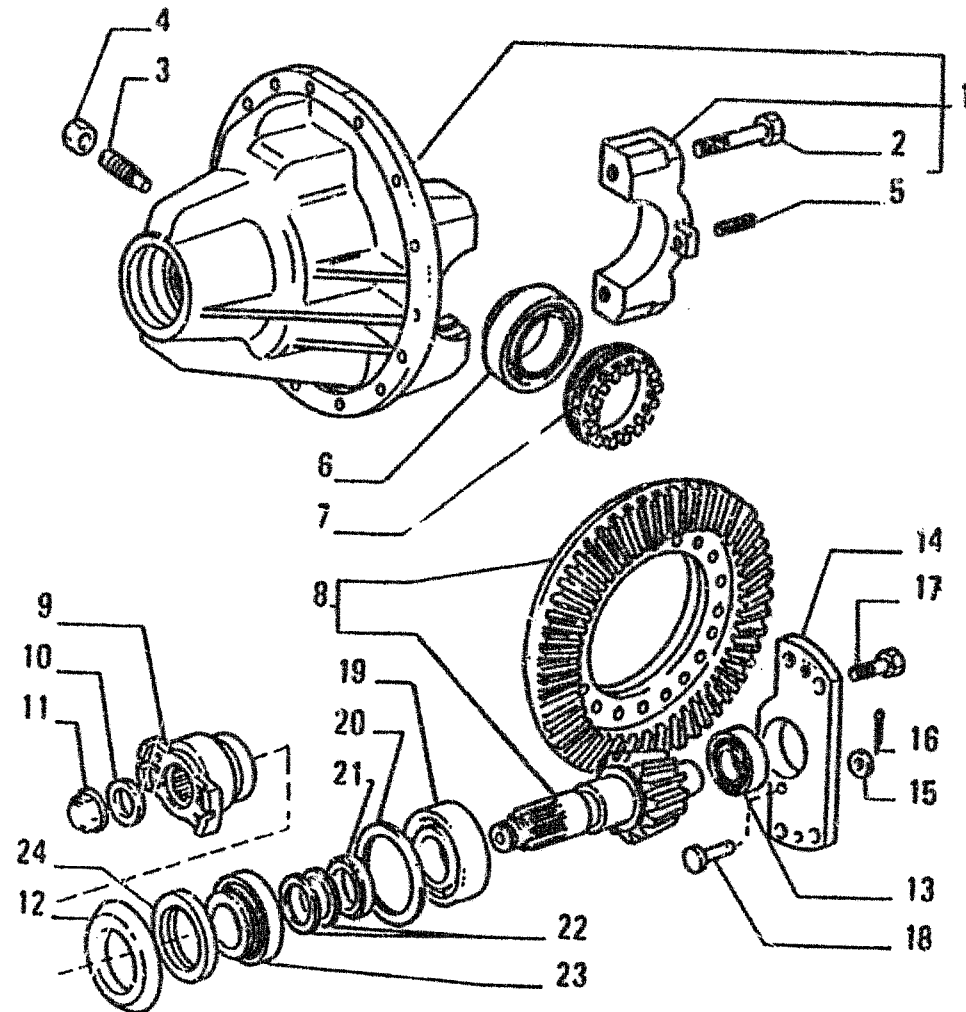
FR11

DIFFERENTIAL (Super Max-Trac)

B404

A

ADDED OCTOBER 1990



ITEM	PART NO.	QTY.	CODE	DESCRIPTION	DEGNOMINAZIONE
22	79039864	-	1985	SHIM, ADJUSTMENT, 0.500	SPESSORE DI REGISTRO
	79039865	-	1985	SHIM, ADJUSTMENT, 1.000	SPESSORE DI REGISTRO
	79039866	-	1985	SHIM, ADJUSTMENT, 1.025	SPESSORE DI REGISTRO
	79039867	-	1985	SHIM, ADJUSTMENT, 1.050	SPESSORE DI REGISTRO
	79039868	-	1985	SHIM, ADJUSTMENT, 1.075	SPESSORE DI REGISTRO
	79039869	-	1985	SHIM, ADJUSTMENT, 1.100	SPESSORE DI REGISTRO
	79039870	-	1985	SHIM, ADJUSTMENT, 1.125	SPESSORE DI REGISTRO
	79039871	-	1985	SHIM, ADJUSTMENT, 1.150	SPESSORE DI REGISTRO
	79039872	-	1985	SHIM, ADJUSTMENT, 1.175	SPESSORE DI REGISTRO
	79039873	-	1985	SHIM, ADJUSTMENT, 1.200	SPESSORE DI REGISTRO
	79039874	-	1985	SHIM, ADJUSTMENT, 1.225	SPESSORE DI REGISTRO
	79039875	-	1985	SHIM, ADJUSTMENT, 1.250	SPESSORE DI REGISTRO
	79039876	-	1985	SHIM, ADJUSTMENT, 1.275	SPESSORE DI REGISTRO
	79039877	-	1985	SHIM, ADJUSTMENT, 1.300	SPESSORE DI REGISTRO
	79039878	-	1985	SHIM, ADJUSTMENT, 1.325	SPESSORE DI REGISTRO
	79039879	-	1985	SHIM, ADJUSTMENT, 1.350	SPESSORE DI REGISTRO
	79039880	-	1985	SHIM, ADJUSTMENT, 1.375	SPESSORE DI REGISTRO
	79039881	-	1985	SHIM, ADJUSTMENT, 1.400	SPESSORE DI REGISTRO
	79039882	-	1985	SHIM, ADJUSTMENT, 1.425	SPESSORE DI REGISTRO
	79039883	-	1985	SHIM, ADJUSTMENT, 1.450	SPESSORE DI REGISTRO
	79039884	-	1985	SHIM, ADJUSTMENT, 1.475	SPESSORE DI REGISTRO
	79039885	-	1985	SHIM, ADJUSTMENT, 1.500	SPESSORE DI REGISTRO
23	79039901	1	340C	BEARING	CUSCINETTO
24	79047473	1	133R	SEAL	GUARNIZIONE TENUTA

USAGE: SPECIAL EQUIPMENT

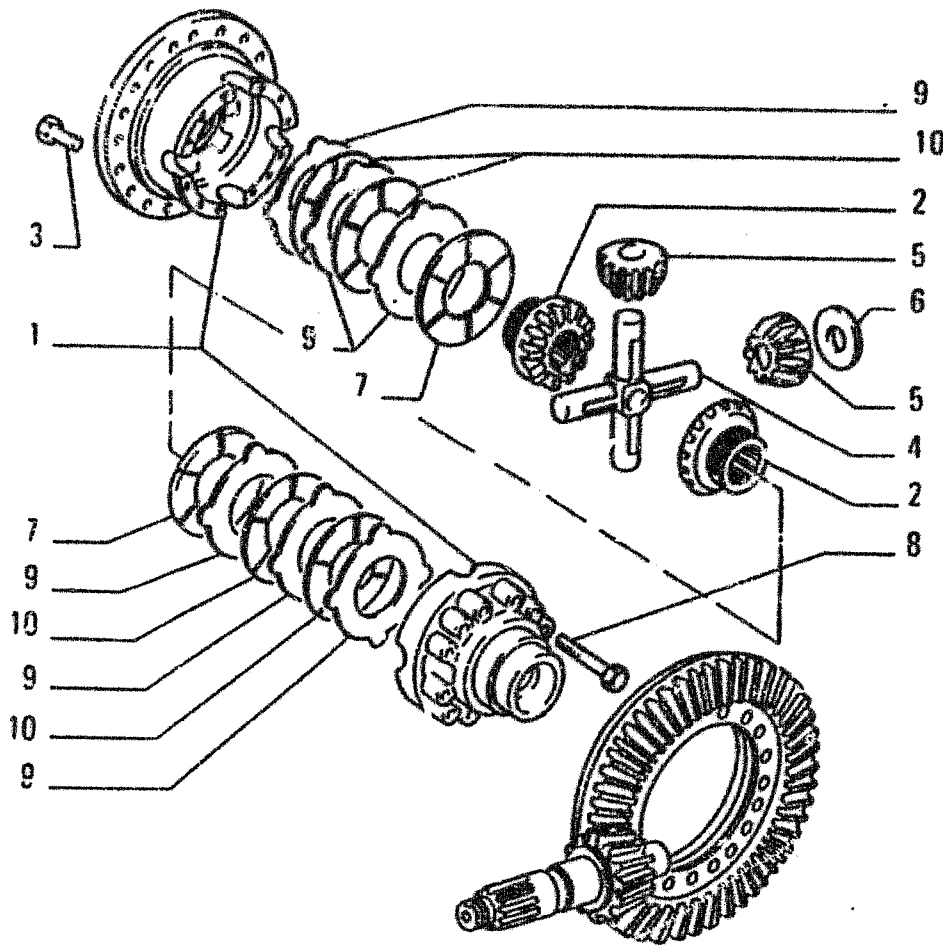
FR11

DIFFERENTIAL (Super Max-Trac)

B404

A

ADDED OCTOBER 1990

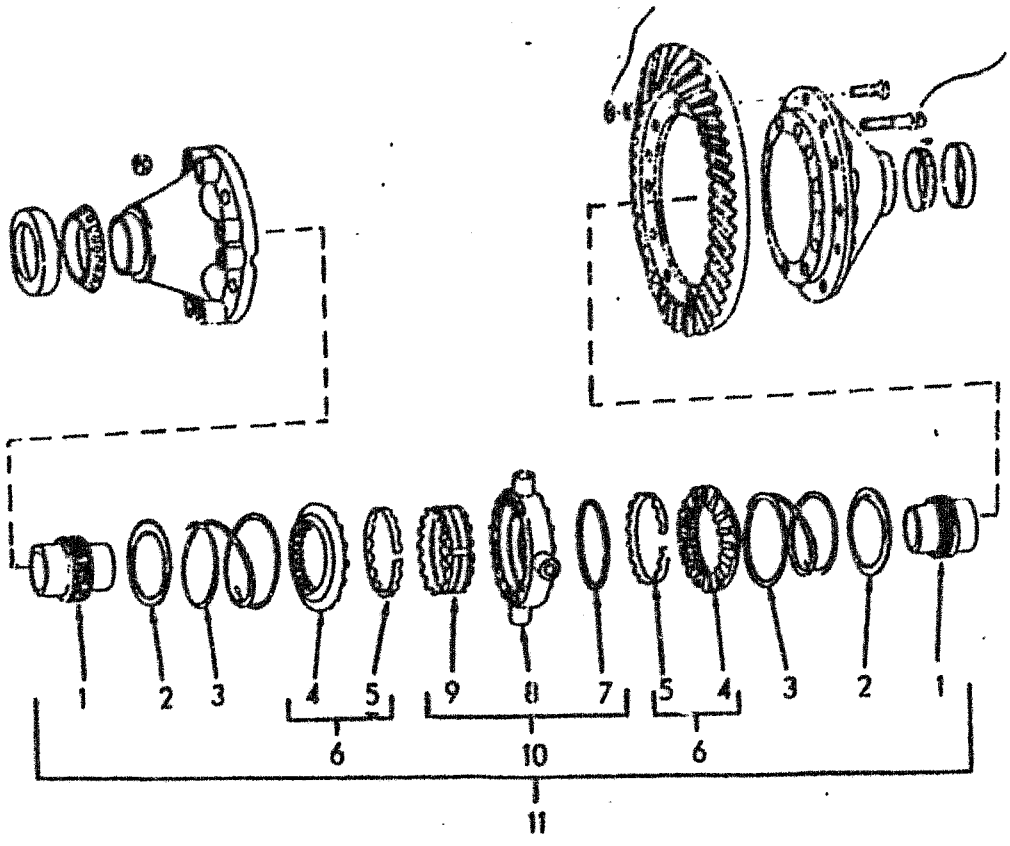


ITEM	PART NO.	QTY.	CODE	DESCRIPTION	DENOMINAZIONE
1	79077086	1	35S	HOUSING	SCATOLA
2	79077089	2	145P	SUN GEAR	PLANETARIO
3	14279431	18	40V	CAPSCREW, 16X1.5X35	VITE
4	79047220	1	320C	SPIDER	CROCIERA
5	79047219	4	20S	PINION, IDLE	SATELLITE
6	79047222	4	23R	PLATE, THRUST	RALLA
7	79077090	2	65D	PLATE, CLUTCH PRESSURE	DISCO SUPPORTO FRIZ.
8	14279431	8	40V	CAPSCREW, 16X1.5X35	VITE
9	79077091	6	60D	DISC, 3.0MM	DISCO
	79091023	-	60D	DISC, 3.1MM	DISCO
	79091024	-	60D	DISC, 3.2MM	DISCO
	79091025	-	60D	DISC, 3.3MM	DISCO
10	79077092	4	65D	PLATE, CLUTCH PRESSURE	DISCO SUPPORTO FRIZ.

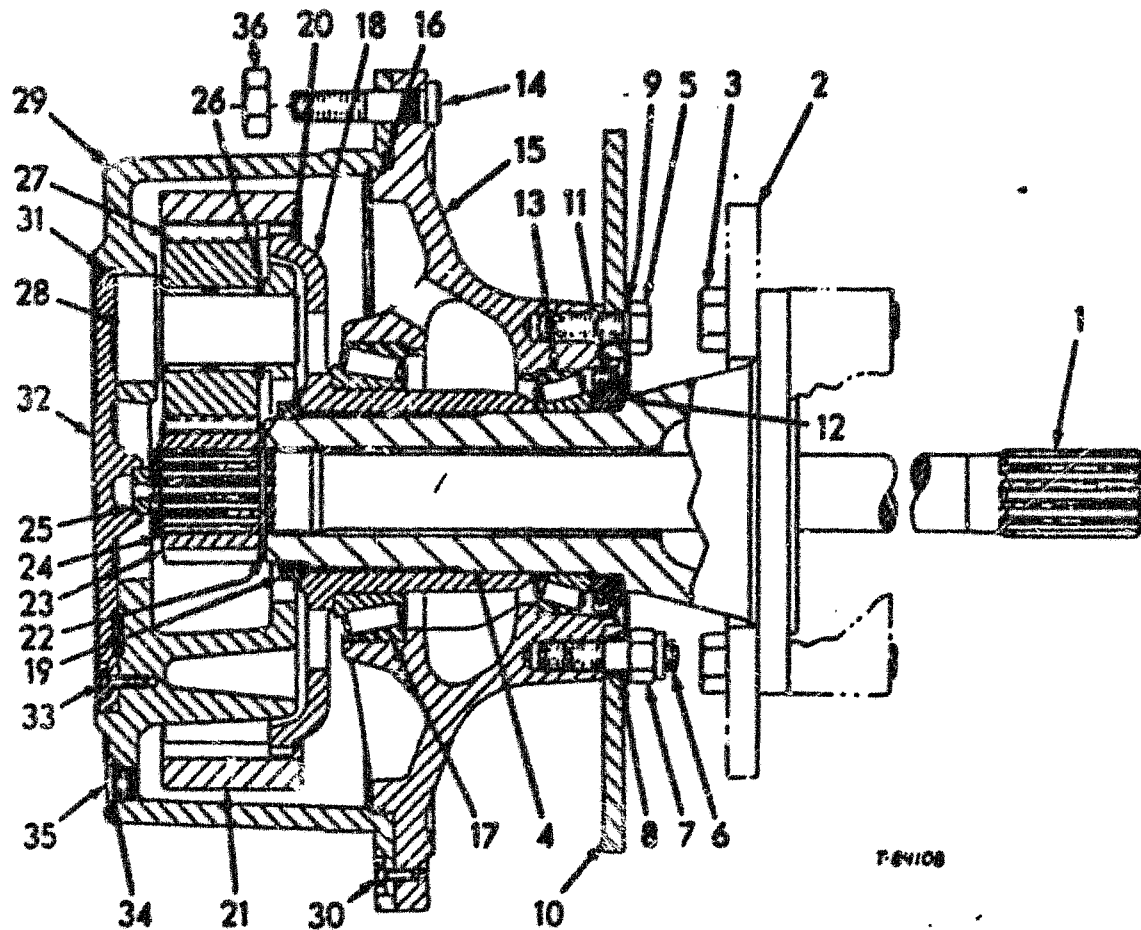
USAGE: SPECIAL EQUIPMENT

FR11	DIFFERENTIAL (Super Max-Trac)	B404	B
		REVISED OCTOBER 1990	

ITEM	PART NO.	QTY.	CODE	DESCRIPTION	DENOMINAZIONE
1	73147663	2	501	GEAR	INGRAHAGGIO
2	73064727	2	61S	RETAINER	SCODELLINO DI RITEGNO
3	73064728	2	100M	SPRING	ROLLA
4	-----	2	95F	CLUTCH	FRIZIONE
5	-----	2	600M	ORDER ITEM 5	ORDINARE PARTIC.
6	73147664	2	45A	RING	ANELLO
7	-----	1	45A	RING	ANELLO
8	-----	1	320C	SPIDER	CROCIERA
9	-----	1	40C	CAM	CAMMA
10	73147665	1	600M	ORDER ITEM 10	ORDINARE PARTIC.
11	73147481	1	320C	SPIDER	CROCIERA
			600L	INCLUDES ITEMS 7-9	INCLUDE PARTIC.(1)
			40D	DIFFERENTIAL	DIFFERENZIALE
			600L	INCLUDES ITEMS 1-10	INCLUDE PARTIC.(1)



FR11	DIFFERENTIAL (NO-SPIN) DIFFERENZIAL (ANTI-SLITTAMENTO) DIFFERENTIEL (ANTI-DERAPAGE) DIFFERENTIALGETRIEBE (MIT SPERRUNG) DIFERENCIAL (NO-SPIN)	B404/1
		Added August 1988

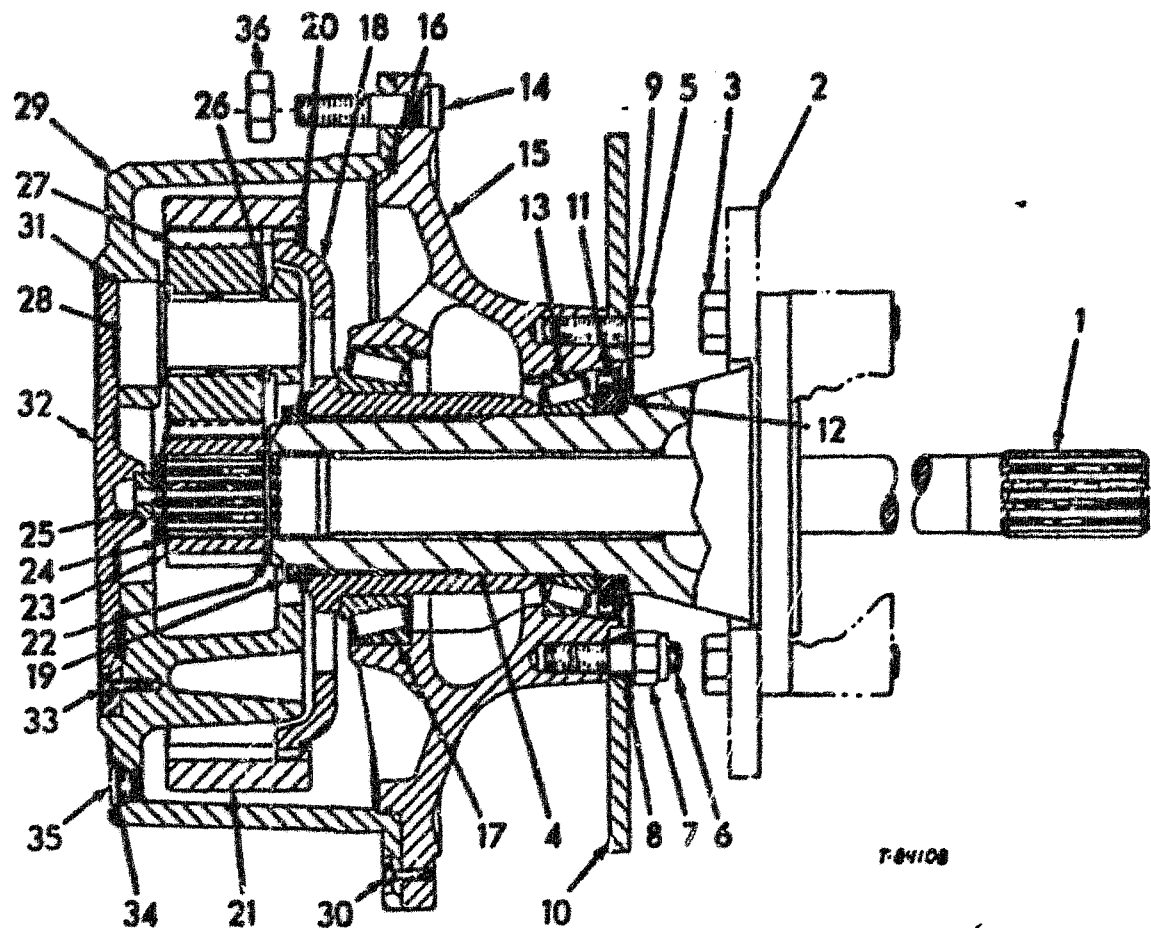


ITEM	PART NO.	QTY.	CODE	DESCRIPTION	DENOMINAZIONE
-	79047204	1	135M	HUB	MOZZO
			600L	INCLUDES ITEM(S)4-35	INCLUDE PARTIC.(1)
1	79047205	1	92S	SHAFT, AXLE	SEMIALBERO
2	-----	1	55T	ADAPTER(B401)(B403)	ADATTATORE
3	14278431	9	40V	CAPSCREW	VITE
4	79047240	1	15A	SHAFT	ALBERO
5	14278331	10	40V	CAPSCREW	VITE
6	11806730	2	210P	STUD,M20 X 1.5 X 45MM	PRIGIGHIERO
7	15504221	2	10D	NUT,M20 X 1.5	DADO
8	79047243	2	93B	BUSHING	BOCCOLA
9	79047242	1	115G	GUARD	PROTEZIONE
10	79047241	1	64D	DISC, BRAKE	DISCO FRENO
11	79040176	1	133R	SEAL	GUARNIZIONE TENUTA
12	79042165	1	75D	SPACER	DISTANZIALE
13	79042289	1	341C	BEARING	CUSCINETTO
14	79047244	16	210P	STUD	PRIGIONIERO
15	79047231	1	135M	HUB	MOZZO
16	14469980	1	55A	O-RING	ANELLO DI TENUTA
17	79040173	1	341C	BEARING	CUSCINETTO
18	79047237	1	300S	SUPPORT	SUPPORTO
19	79047239	1	10D	NUT	DADO
20	79047238	1	56A	RING, RETAINING	ANELLO DI RITEGNO
21	79047236	1	50I	GEAR	INGRANAGGIO
22	79047245	1	131R	WASHER	ROSETTA
23	79047235	1	50I	GEAR	INGRANAGGIO
24	11069376	1	56A	RING, RETAINING	ANELLO DI RITEGNO
25	79052629	1	120B	BUTTON	BOTTONE
26	79047246	3	131R	WASHER	ROSETTA
27	79047234	3	50I	GEAR	INGRANAGGIO
28	79047232	3	80P	PIN	PERNO
			601J	INCL. BEARING(S)	INCL. CUSCINETTO(1)
29	79047230	1	320C	SPIDER	CROCIERA
30	14238031	4	40V	CAPSCREW, M8 X 1.25 X 20MM	VITE
31	14469480	1	55A	O-RING	ANELLO DI TENUTA
32	79047233	1	265C	COVER	COPERCHIO

FR11

SHAFT & HUB (FRONT & REAR AXLE)
 ALBERO E MOZZO (PONTI ANT. E POST.)
 AXE ET MOYEU (ESSIEU AVANT ET ARRIERE)
 WELLE UND NABE (VORDER- UND HINTERACHSE)
 ARBOL Y CUBO (EJE DELANTERO Y TRASERO)

B411

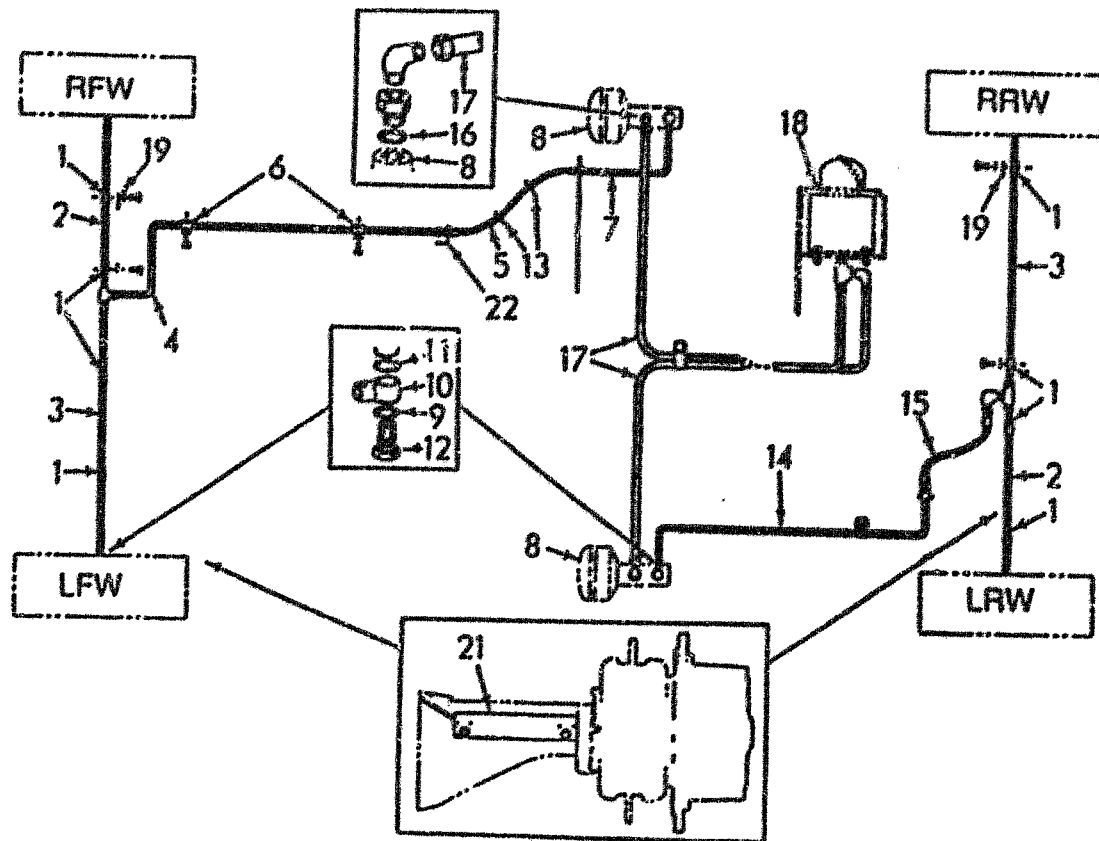


ITEM	PART NO.	QTY.	CODE	DESCRIPTION	DEHOMINAZIONE
33	14238131	6	40V	CAPSCREW, M2 X 1.25 X 25MM	VITE
34	10263460	1	123G	GASKET	GUARNIZIONE DI TENUTA
35	10275011	1	50T	PLUG	TAPPO
36	79047207	16	100	NUT	DADO
37	70931905	-	123G 600P	GASKET (50 CC) AS REQUIRED	GUARNIZIONE DI TENUTA DEFINITO AL MONTAGGIO

FR11

SHAFT & HUB (FRONT & REAR AXLE)
 ALBERO E MOZZO (PONTI ANT. E POST.)
 AXE ET MOYEU (ESSIEU AVANT ET ARRIERE)
 WELLE UND NABE (VORDER- UND HINTERACHSE)
 ARBOL Y CUBO (EJE DELANTERO Y TRASERO)

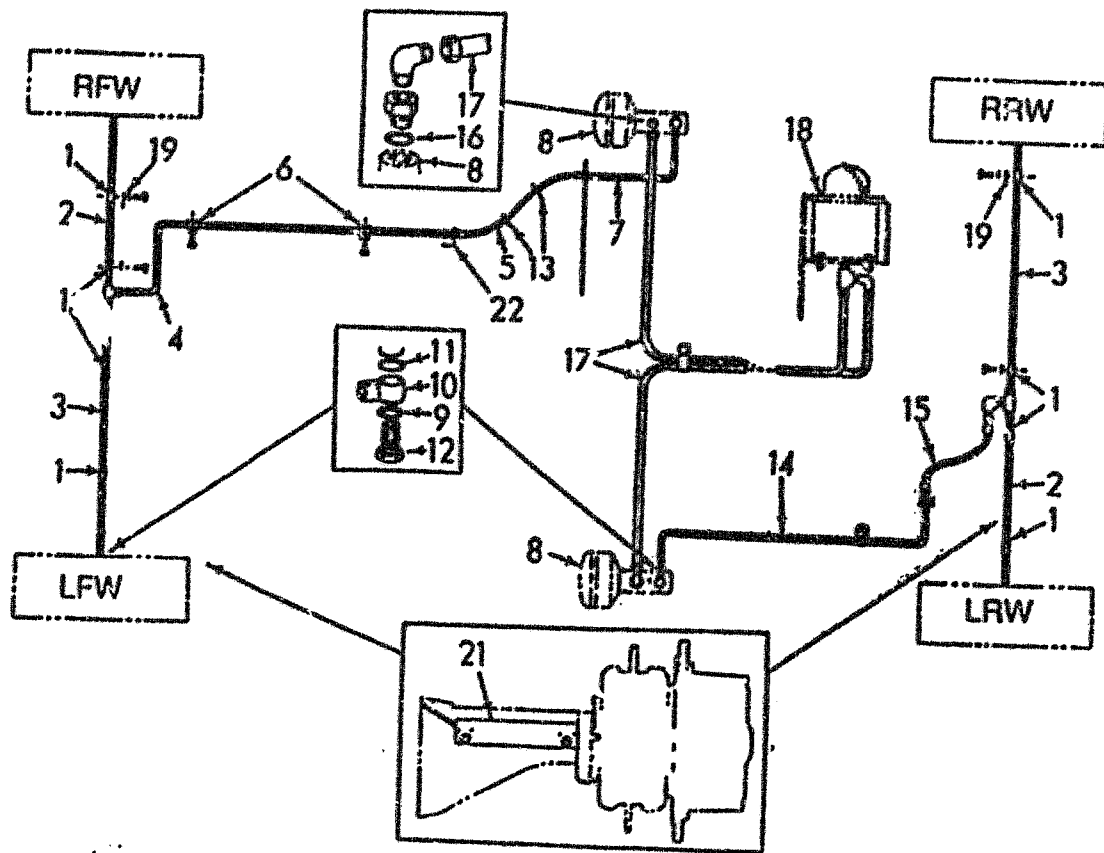
B411



7-85319

ITEM	PART NO.	QTY.	CODE	DESCRIPTION	DENOMINAZIONE
1	73016496	8	120H	CLAMP	MORSETTO COLLARE
	70928460	4	131R	WASHER	ROSETTA
2	73141206	2	206T	TUBE	TUBO
	70922248	1	16R	TEE	RACCORDO A 3 VIE
			600D	FRONT	ANTERIORE
3	73141205	2	206T	TUBE	TUBO
	70915841	1	16R	TEE	RACCORDO A 3 VIE
			600H	REAR	POSTERIORE
4	73044665	1	206T	TUBE	TUBO
5	73043197	1	192T	HOSE	TUBO FLESSIBILE
	70910345	1	10D	NUT, 5/8"NF	DADO
6	73006769	2	120H	CLAMP	MORSETTO COLLARE
	70923683	2	40V	CAPSCREW, 3/8"NC X 3/4"	VITE
	70929156	2	131R	WASHER	ROSETTA
7	76009003	1	206T	TUBE	TUBO
8	-----	2	310S	BOOSTER, BRAKE (G437(1))	SUPPRESSORE FRENI
	70677006	6	131	WASHER	ROSETTA
	10788221	6	10D	NUT	DADO
9	73006799	6	131R	WASHER	ROSETTA
10	73006806	6	20R	FITTING	RACCORDO
11	73006797	6	131R	WASHER	ROSETTA
12	73007115	6	140B	BOLT	BULLONE
13	04982514	-	501H	TIE	TIRANTE
			600P	AS REQUIRED	DEFINITO AL MONTAGGIO
14	76010717	1	206T	TUBE	TUBO
	73016496	1	120H	CLAMP	MORSETTO COLLARE
15	73068358	1	192T	HOSE	TUBO FLESSIBILE
	70910345	1	10D	NUT, 5/8"NF	DADO
	70915842	1	85B	ELBOW	GOMITO
16	10259960	2	1230	GASKET	GUARNIZIONE DI TENUTA
	76008076	2	55T	ADAPTER	ADATTATORE
	70936210	2	850	ELBOW	GOMITO

FR11	BRAKE HYDRAULIC LINES FRENI-TUBAZIONI IDRAULICHE CONDUITES HYDRAULIQUES DU FREIN BREMSLEITUNGEN, HYDRAULISCHE TUBERIA DEL FRENO HIDRAULICO	C102	1
		REVISED OCTOBER 1990	

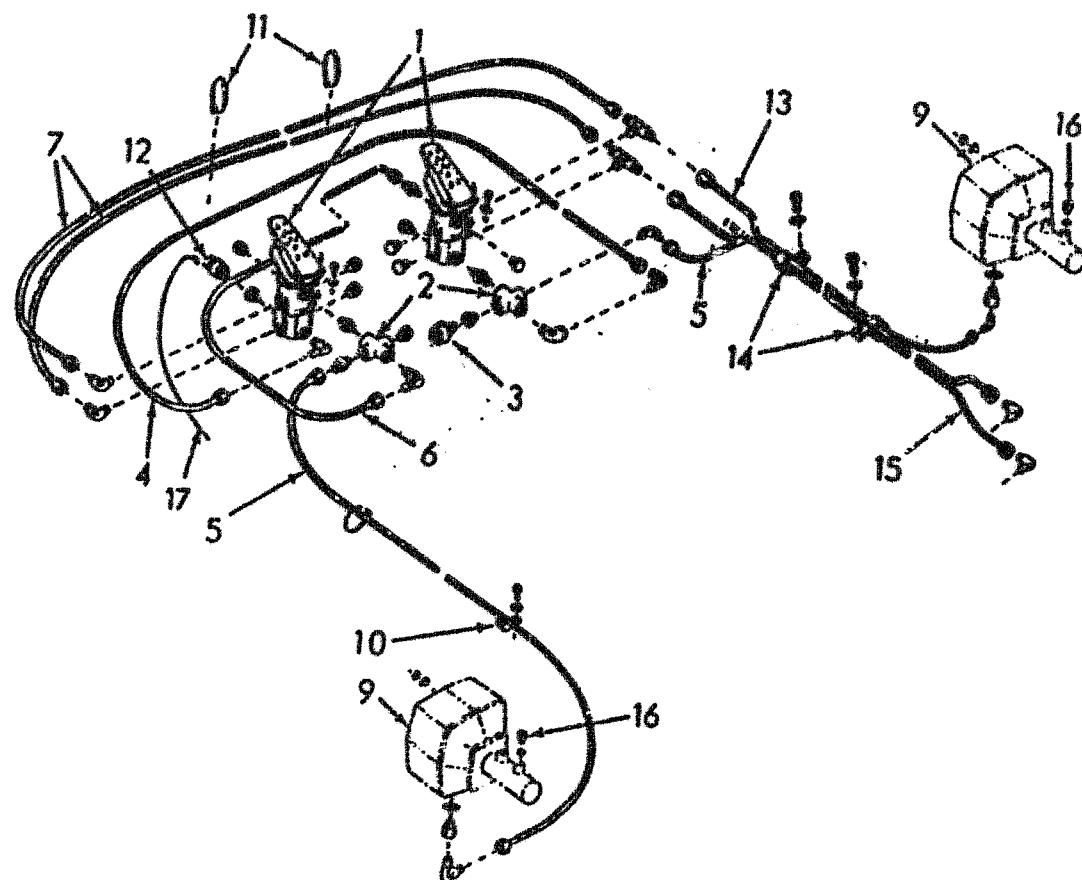


7-88318

ITEM	PART NO.	QTY.	CODE	DESCRIPTION	DENOMINAZIONE
17	-----	2	206T	TUBE	TUBO
			600H	ORDER ITEM(S)20	ORDINARE PARTIC.
	70913257	1	16R	TEE	RACCORDO A 3 VIE
	70935217	1	20R	FITTING	RACCORDO
	70935294	1	85G	ELBOW	GOMITO
	70926779	1	500J	GROMMET	ANELLO
	00568581	3	120M	CLAMP	MORSETTO COLLARE
	70922300	3	40V	CAPSCREW, 3/8"HC X 3/4"	VITE
	70929156	3	131R	WASHER	ROSETTA
18	-----	1	114S	RESERVOIR(C102(1))	SERBATOIO
	70922763	4	40V	CAPSCREW, 3/8"HC X 1"	VITE
	70933623	4	10D	NUT, 3/8"HC	DADO
19	73076069	4	109P	PLATE	PIASTRA
	70929156	4	131R	WASHER	ROSETTA
	11103071	8	40V	CAPSCREW	VITE
20	73070629	-	206T	TUBE(50')	TUBO
			600P	AS REQUIRED	DEFINITO AL MONTAGGIO
21	a73141207	2	115G	GUARD	PROTEZIONE
			600A	LEFT	SINISTRO
	a73141208	2	115G	GUARD	PROTEZIONE
			600B	RIGHT	DESTRO
	a11106231	8	40V	CAPSCREW, M10X1.5X2.5	VITE
	70677006	8	131R	WASHER	ROSETTA
22	73044159	1	80M	BRACKET	

e. UNITS EQUIPPED FOR SCRAP YARD OPERATIONS.

FR11	BRAKE HYDRAULIC LINES FRENI-TUBAZIONI IDRAULICHE CONDUITES HYDRAULIQUES DU FREIN BREMSLEITUNGEN, HYDRAULISCHE TUBERIA DEL FRENO IDRAULICO	C102	1
		REVISED OCTOBER 1990	



T-81255

ITEM	PART NO.	QTY.	CODE	DESCRIPTION	DENOMINAZIONE
1	-----	2	10V	VALVE (G428111)	VALVOLA
	70918951	7	50T	PLUG, 3/8"NPT	TAPPO
	70921566	6	40V	CAPSCREW, 5/16"NC X 1"	VITE
	70677005	6	131R	WASHER	ROSETTA
	70933622	6	100	NUT, 5/16"NC	DADO
	73139290	2	204V	VALVE, CHECK	VALVOLA DI RITENUTA
	70922777	2	28H	NIPPLE, 3/8"NPT	NIPPLO
2	70917425	1	50T	PLUG, 3/8"NPT	TAPPO
	70739603	1	75I	SWITCH	INTERRUTTORE
3	73072098	1	206T	TUBE	TUBO
	70917715	1	35G	ELBOW, 3/8"NPT	GOMITO
	70917370	2	85G	ELBOW, 3/8"NPT	GOMITO
	73059065	2	206T	TUBE	TUBO
	70917370	3	85G	ELBOW, 3/8"NPT	GOMITO
	76008128	2	55T	ADAPTER	ADATTATORE
	10282460	2	123G	GASKET	GUARNIZIONE DI TENUTA
	73070248	1	206T	TUBE	TUBO
	70917354	1	75B	CONNECTOR, 3/8"NPT	BLOCCHETTO CONNESSIONE
	70917370	1	85G	ELBOW, 3/8"NPT	GOMITO
4	73070245	2	206T	TUBE	TUBO
	70919526	2	16R	TEE, 3/8"NPT	RACCORDO A 3 VIE
	70917370	2	85G	ELBOW, 3/8"NPT	GOMITO
	-----	2	310S	BOOSTER, BRAKE (G437)	SUPPRESSORE FRENI
5	70677006	6	131R	WASHER	ROSETTA
	10788221	6	100	NUT	DADO
	70932619	1	120H	CLAMP	MORSETTO COLLARE
6	70922300	1	40V	CAPSCREW, 3/8"NC X 3/4"	VITE
	70677006	1	131R	WASHER	ROSETTA
	70925094	6	50IH	TIE	TIRANTE
7	-----	600P	AS REQUIRED	DEFINITO AL MONTAGGIO	
	79059999	1	75I	SWITCH	INTERRUTTORE
	70917351	1	55T	ADAPTER, 3/8" X 1/4"	ADATTATORE
8	70682117	1	206T	TUBE	TUBO
	70921186	1	85G	ELBOW, 1/2"NPT	GOMITO

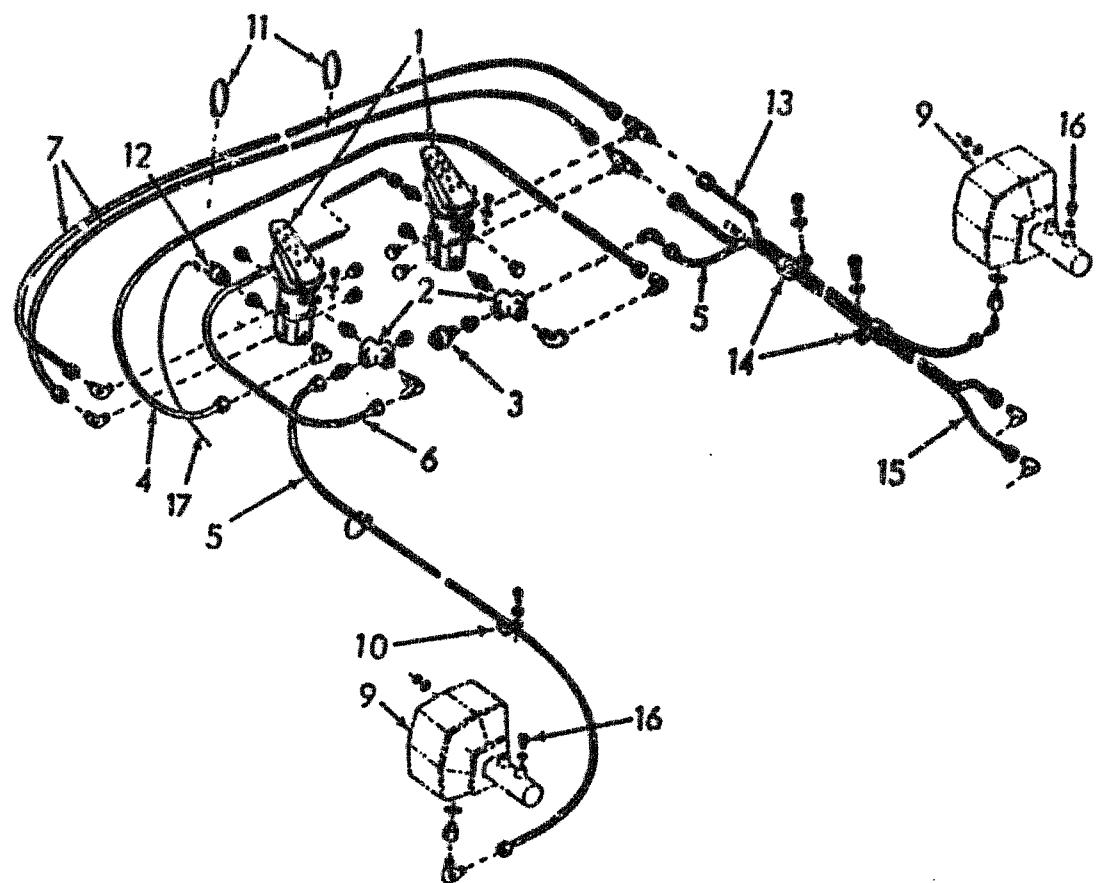
FR11

AIR BRAKES LINES
 TUBAZIONI ARIA FRENI
 CONDUITES PNEUMATIQUES DES FREINS
 DRUCKLUFTBREMSLEITUNGEN
 TUBERIA DEL FREMO DE AIRE

C102

3

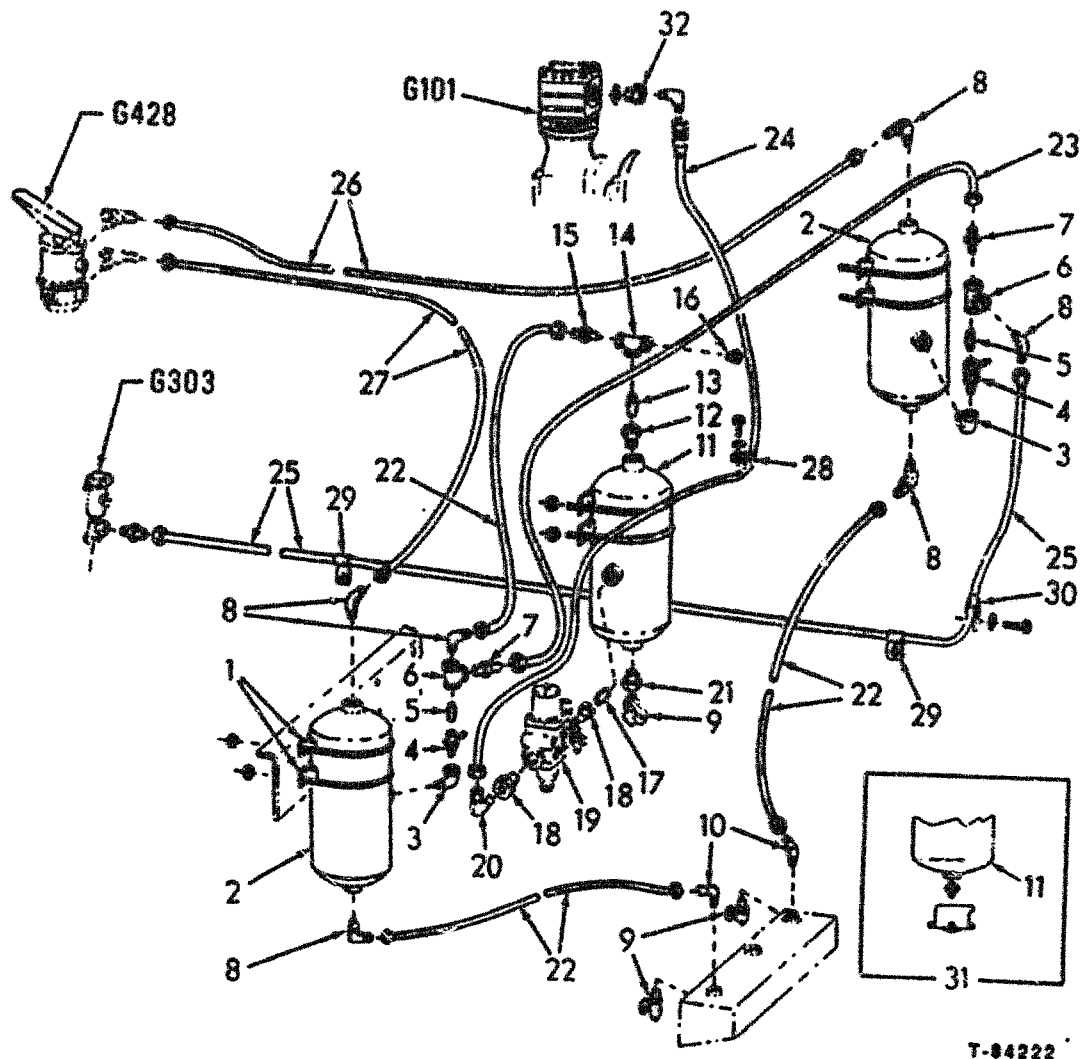
REVISED OCTOBER 1990



T-81255

ITEM	PART NO.	QTY.	CODE	DESCRIPTION	DENOMINAZIONE
14	70928623	2	120M	CLAMP	MORSETTO COLLARE
	70922300	2	40V	CAPSCREW, 3/8"NC X 3/4"	VITE
	70677006	2	131R	WASHER	ROSETTA
15	73074180	1	206T	TUBE	TUBO
	70921186	1	850	ELBOW, 1/2"NPT	GOMITO
16	76008075	2	20R	FITTING	RACCORDO
	10296160	2	1230	GASKET	GUARNIZIONE DI TENUTA
	76010517	1	111C	CABLE, STOP LIGHT	

FR11	AIR BRAKES LINES TUBAZIONI ARIA FRENI CONDUITES PNEUMATIQUES DES FREINS DRUCKLUFTBREMSLEITUNGEN TUBERIA DEL FRENO DE AIRE	C102	3
		REVISED OCTOBER 1990'	



ITEM PART NO. QTY. LEX. DESCRIPTION

ITEM	PART NO.	QTY.	LEX.	DESCRIPTION
1	73074154	6	230S	BRACKET, MOUNTING
	73074155	6	100C	U-BOLT
	70918308	12	257C	LOCKNUT, 3/8"NC
2	79053184	2	115S	TANK
3	70917431	2	85G	ELBOW, 1/2"NPT
4	70196735	2	204V	VALVE, CHECK
5	70917412	2	28N	NIPPLE, 1/2"NPT
6	70901810	2	16R	TEE, 1/2"NPT
7	70921184	2	75B	CONNECTOR, 1/2"NPT
8	70921186	6	85G	ELBOW, 1/2"NPT
9	70912319	3	151R	COCK, DRAIN, 1/4"NPT
10	70933891	2	85G	ELBOW, 1/4"NPT
11	79053184	1	115S	TANK
12	70904271	1	95B	BUSHING, 1/2" X 3/8"NPT
13	70917368	1	28N	NIPPLE, 3/8"NPT
14	70917367	1	16R	TEE, 3/8"NPT
15	70917354	1	75B	CONNECTOR
16	70918351	1	50T	PLUG
17	70917412	1	28N	NIPPLE, 1/2"NPT
18	76009020	2	28N	NIPPLE
19	76009392	1	204V	VALVE, CHECK
20	70921186	1	85G	ELBOW, 90°
21	70917503	1	95B	BUSHING, 1/2" X 1/4"NPT
22	73074177	3	206T	TUBE
23	70982114	1	206T	TUBE
24	73069055	1	206T	TUBE
	70917370	1	85G	ELBOW (G101(1))
25	73074181	1	206T	TUBE (G303)
26	70682117	1	206T	TUBE (C102(3))
27	73074180	1	206T	TUBE (C102(3))

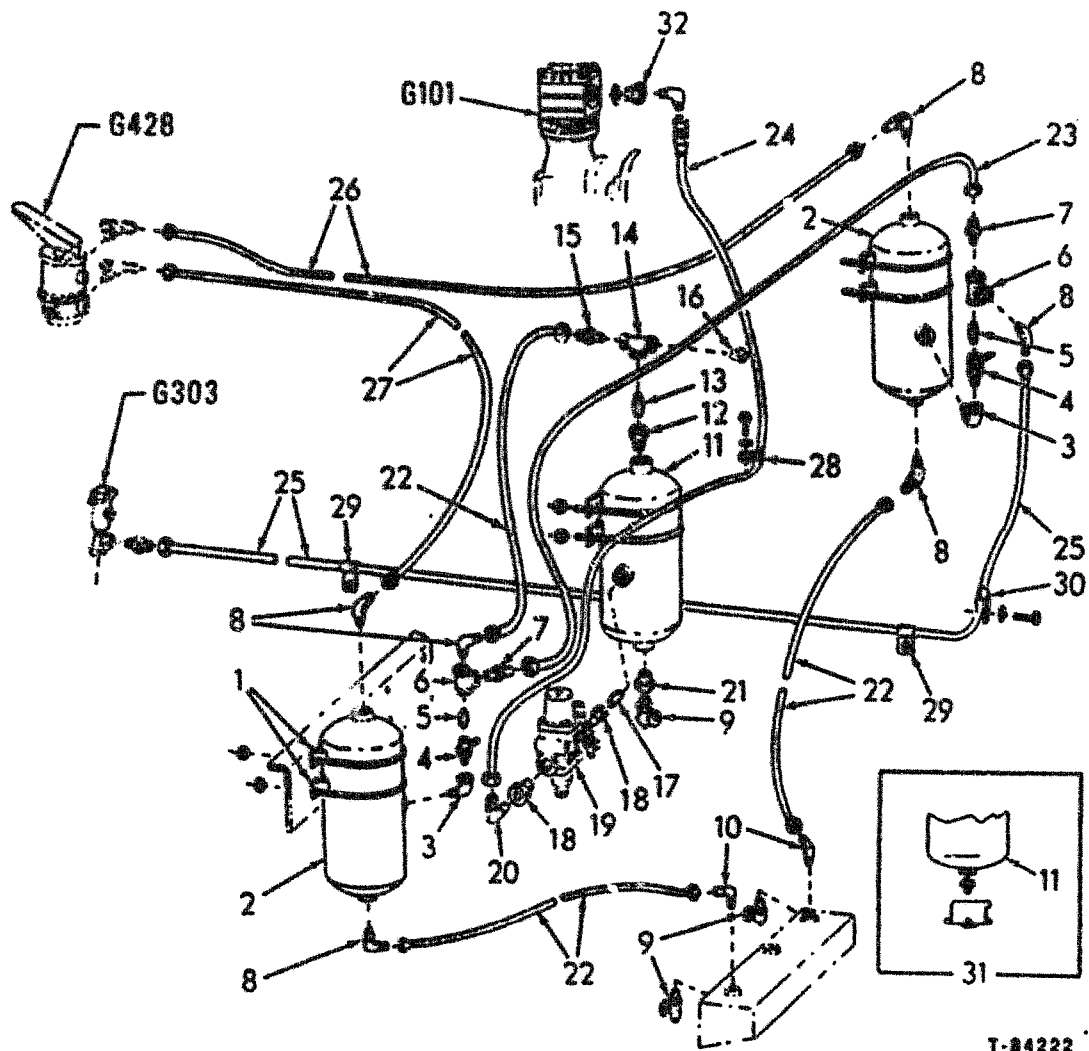
FR11

AIR TANKS & LINES

C102

4

REVISED OCTOBER 1990



ITEM PART NO. QTY. LEX. DESCRIPTION

28	70925097	2	120M	CLAMP
	70927400	1	40V	CAPSCREW, 3/8"NC X 5/8"
	70922300	1	40V	CAPSCREW, 3/8"NC X 3/4"
	70677006	1	131R	WASHER
29	70925621	2	120M	CLAMP
	70922300	2	40V	CAPSCREW, 3/8"NC X 3/4"
	70677006	2	131R	WASHER
30	70927201	2	120M	CLAMP
	70922300	2	40V	CAPSCREW, 3/8"NC X 3/4"
	70677006	2	131R	WASHER
31	-----	1	10V	VALVE (G452)
			600J	SPECIAL EQUIPMENT
32	76009951	1	20R	FITTING
	10264560	1	123G	GASKET

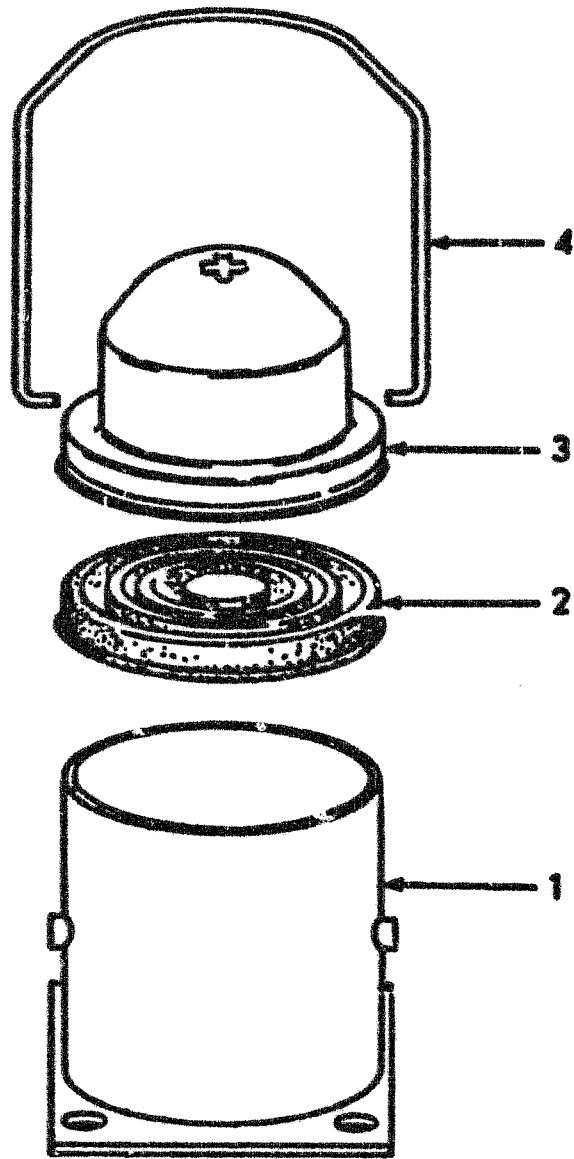
FR11

AIR TANKS & LINES

C102

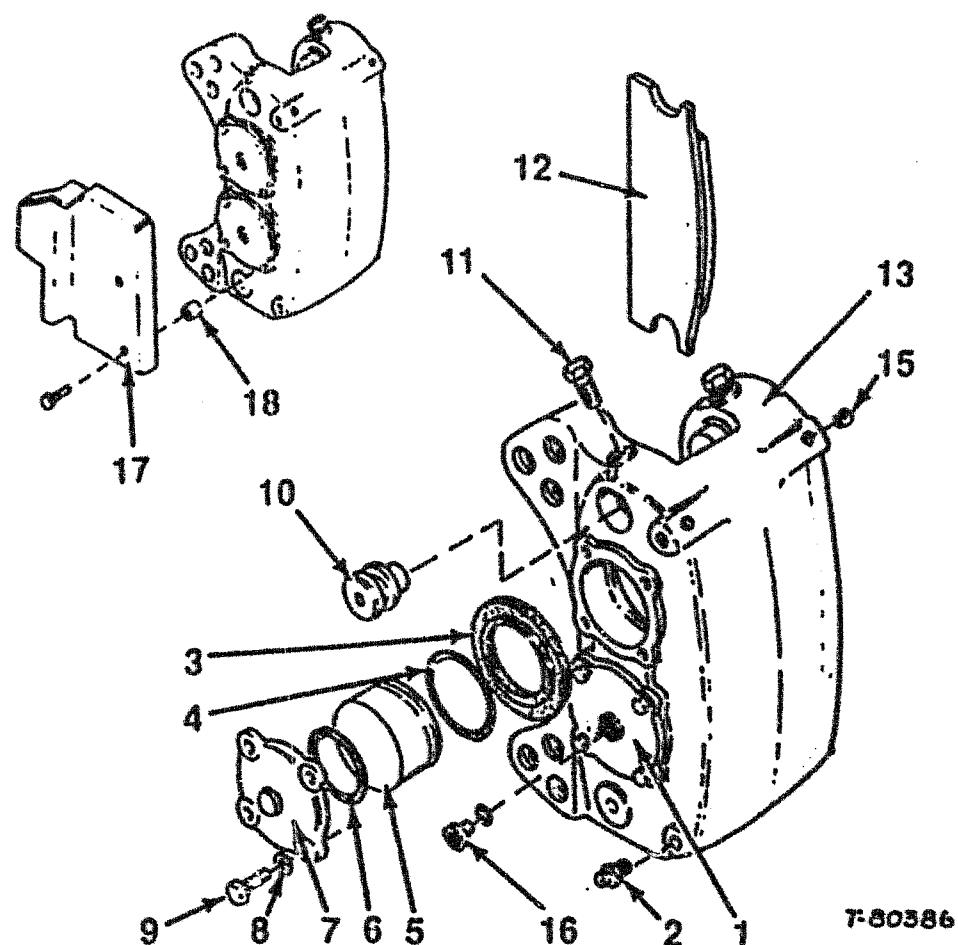
4

REVISED OCTOBER 1990



ITEM	PART NO.	QTY.	CODE	DESCRIPTION	DEGNOMINAZIONE
-	73067230	1	114S	RESERVOIR 600L INCLUDES ITEM(S)1-4	SERBATOIO INCLUDE PARTIC.(1)
1	-----	1	300C	BODY 600M ORDER ITEM(S)-	CORPO ORDINARE PARTIC.
2	73067575	1	35D	DIAPHRAGM	DIAFRAMMA
3	73067574	1	265C	COVER	COPERCHIO
4	73067573	1	61S	RETAINER	SCODELLINO DI RITEGNO

FR11	BRAKE RESERVOIR FRENI-SERBATOIO RESERVOIR DU FREIN BREMSFLUSSIGKEITSBEH TANQUE DEL FRENO	C102	7
		REVISED OCTOBER 1990	



ITEM	PART NO.	QTY.	CODE	DESCRIPTION	DEPMINIAZIONE
-	73158856	1	501V	BRAKE HEAD ASSEMBLY	CEFFO DEL FRENO
			600L	INCLUDES ITEMS 1-13,15	INCLUDE PARTIC.(1)
1	73110564	1	20C	CAP	CALOTTA
2	73111046	2	46V	SCREW, BLEEDING	VITE DI SPURGO
3	-----	4	330C	BOOT	CUFFIA DI PROTEZIONE
			600M	ORDER ITEM(S)14	ORDINARE PARTIC.
4	-----	4	501N	PACKING SET	GUARNIZIONE
			600M	ORDER ITEM(S)14	ORDINARE PARTIC.
5	73110566	4	235S	PISTON	STARTUFFO
6	-----	2	501N	PACKING SET	GUARNIZIONE
			600M	ORDER ITEM(S)14	ORDINARE PARTIC.
7	73110565	1	20C	CAP	CALOTTA
8	a70911115	8	131R	WASHER	ROSETTA
9	a70921076	8	40V	CAPSCREW, 3/8"HCX1-1/4"	VITE
10	73110558	4	80P	PIN	PERNO
11	73123788	4	140B	BOLT	BULLONE
12	75285169	2	122G	LINING, DISK BRAKE	PASTIGLIA FRENO DISCO
13	-----	1	35S	HOUSING	SCATOLA
			600M	ORDER ITEM(S) -	ORDINARE PARTIC.
14	73110563	1	129S	KIT	SERIE
			600L	INCLUDES ITEM(S)3,4,6	INCLUDE PARTIC.(1)
15	70910231	3	50T	PLUG	TAPPO
16	70935829	1	50T	PLUG	TAPPO
17	b73141213	2	115G	GUARD	PROTEZIONE
			600A	LEFT	SINISTRO
	b73141214	2	115G	GUARD	PROTEZIONE
			600B	RIGHT	DESTRO
	b70927218	8	40V	CAPSCREW, 3/8"HCX2-3/4"	VITE
18	b73141215	8	75D	SPACER	DISTANZIALE

a.2 LESS REQUIRED ON UNITS EQUIPPED FOR SCRAP YARD OPERATIONS.

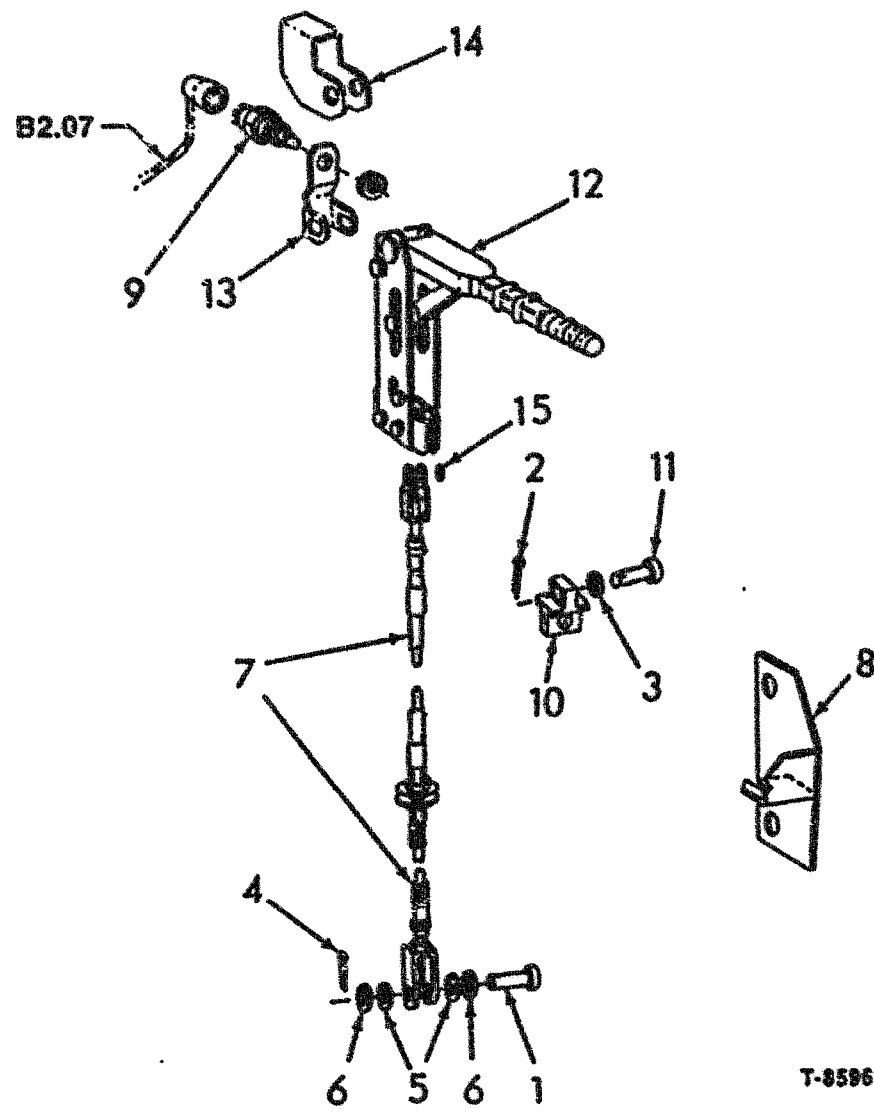
b.UNITS EQUIPPED FOR SCRAP YARD OPERATIONS.

FR11

BRAKE HEAD ASSEMBLY
 FRENI-TESTA-COMPLESSIVO
 MACHOIRES DE FREIN
 BREMSKOPF
 CABEZA DEL FRENO

C119

REVISED OCTOBER 1990



T-85964

ITEM	PART NO.	QTY.	LEX.	DESCRIPTION
1	10005010	1	80P	PIN
2	10734301	1	270C	PIN, SPLIT
			600X	PRIOR TO UNIT NO. 530148
3	14499401	1	131R	WASHER
			600X	PRIOR TO UNIT NO. 530148
4	70918448	1	270C	PIN, SPLIT
5	70926191	2	131R	WASHER
6	14496721	2	131R	WASHER
7	73136453	1	105F	CABLE
8	73137585	1	300S	SUPPORT
9	79060318	1	75I	SWITCH
10	76007604	1	74B	BLOCK
			600X	PRIOR TO UNIT NO. 530148
11	76007609	1	80P	PIN
			600X	PRIOR TO UNIT NO. 530148
12	76007630	1	45L	LEVER
13	76011238	1	80M	BRACKET
14	76015914	1	115G	GUARD
			600Y	UNIT NO. 530148 AND UP
15	10520121	2	131R	WASHER

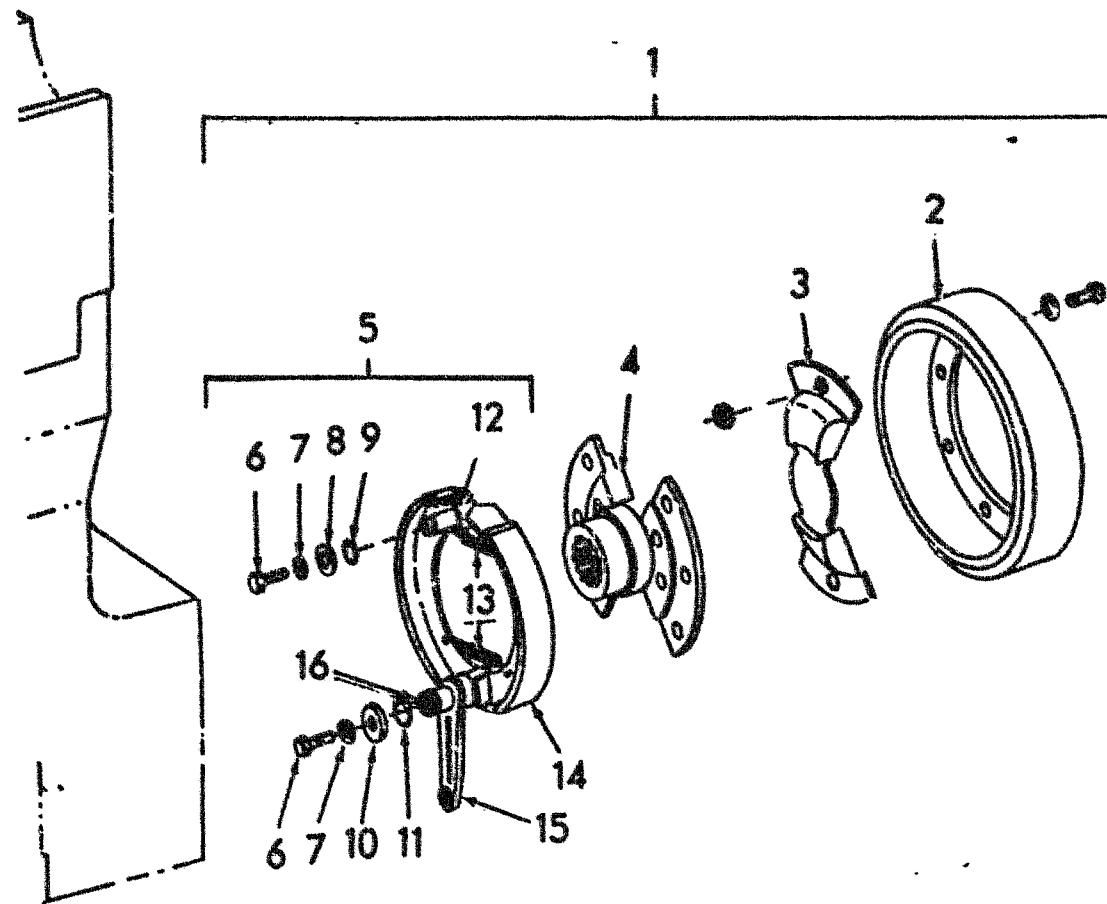
FR11

PARKING BRAKE CONTROL

C135

1

REVISED NOVEMBER 1990



T-84113

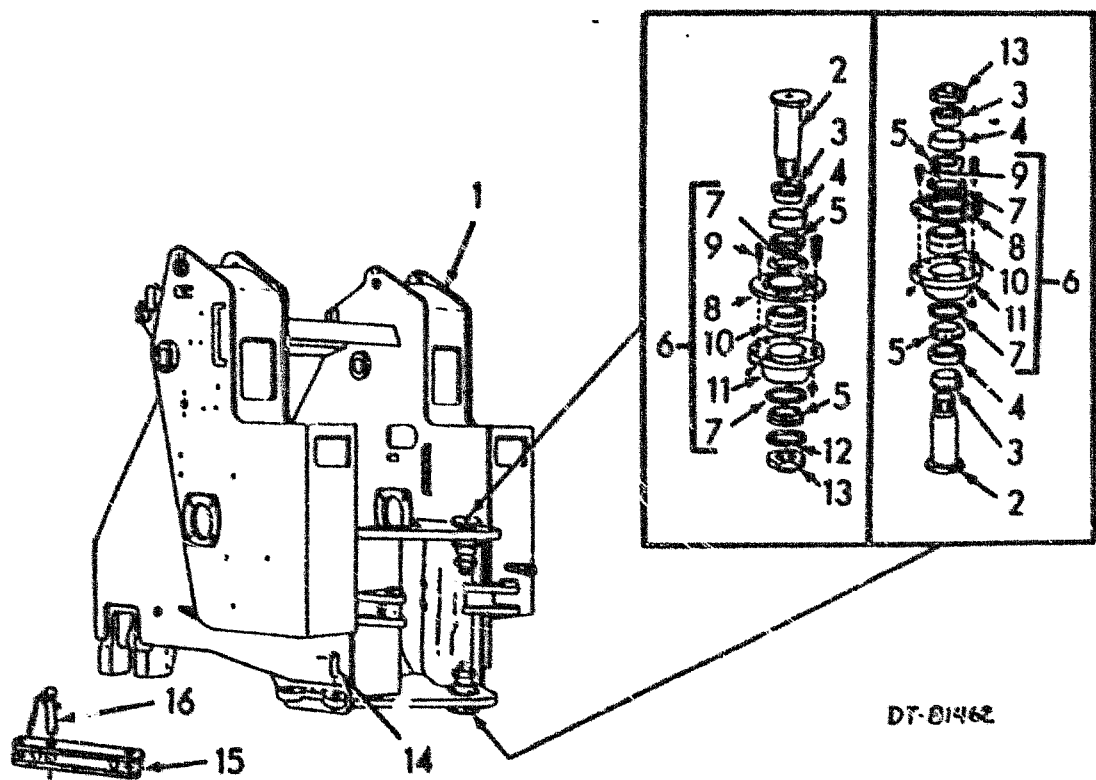
ITEM	PART NO.	QTY.	CODE	DESCRIPTION	DENOMINAZIONE
1	73143488	1	92F	BRAKE UNIT	GRUPPO FRENANTE
			600L	INCLUDES ITEM(S)2-16	INCLUDE PARTIC.(1)
2	73143025	1	20T	DRUM	TAMBURO
	11106234	8	40V	CAPSCREW	VITE
	10730521	8	131R	WASHER	ROSETTA
3	73143027	1	265C	COVER	COPERCHIO
	12164721	2	10D	NUT	DADO
4	73143489	1	70F	FLANGE	FLANGIA
5	73143024	1	92F	BRAKE UNIT	GRUPPO FRENANTE
			600L	INCLUDES ITEM(S)12-16	INCLUDE PARTIC.(1)
6	11106134	2	40V	CAPSCREW	VITE
7	10730521	2	131R	WASHER	ROSETTA
8	73142882	1	131R	WASHER	ROSETTA
9	73143030	1	55A	O-RING(SEE PAGE 9)	ANELLO DI TENUTA
10	73143028	1	131R	WASHER	ROSETTA
11	73140543	1	55A	O-RING(SEE PAGE 9)	ANELLO DI TENUTA
12	73143033	1	80P	PIN	PERNO
13	73143032	2	100M	SPRING	MOLLA
14	73143031	2	25G	SHOE, BRAKE	GANASCIA DEI FRENI
15	73143037	1	40C	CAM	CAMMA
16	73143034	1	80P	PIN	PERNO
	73143035	1	131R	WASHER	ROSETTA
	73142698	1	56A	RING, RETAINING	ANELLO DI RITEGNO

FR11

PARKING BRAKE ASSEMBLY
 FRENO PARCHEGGIO-COMPL.
 FREIN DE STATIONNEMENT
 FESTSTELLBREMSE
 FRENO DE ESTACIONAMIENTO

C135

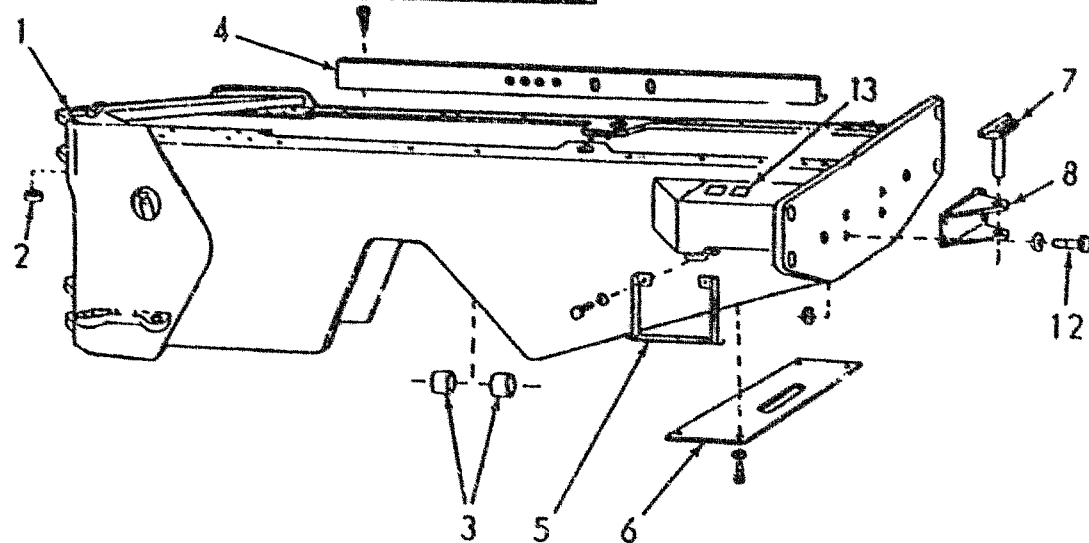
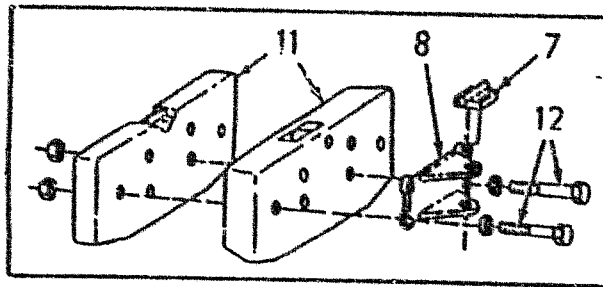
2



DT-01462

ITEM	PART NO.	QTY.	CODE	DESCRIPTION	DENOMINAZIONE
1	76011146	1	171	FRAME	INCI STELLATURA
2	73041936	2	60P	PIN	PERNO
3	73042898	3	180C	COLLAR	COLLARE
			600E	INNER	INTERNO
4	73042896	3	180C	COLLAR	COLLARE
			600F	OUTER	ESTERNO
5	73042895	4	75D	SPACER	DISTANZIALE
6	73042994	2	61S	RETAINER	SCODELLINO DI RITEGNO
			600L	INCLUDES ITEM(S)7-11	INCLUDE PARTIC.(1)
	70927659	12	40V	CAPSCREW, 5/8"NF X 3-1/4"	VITE
	70935408	12	257C	LOCKNUT, 5/8"NF	CONTRORODADO
7	73042938	4	133R	SEAL	ROSETTA DI TENUTA
8	73042941	2	61S	RETAINER	SCODELLINO DI RITEGNO
9	73026026	4	40V	CAPSCREW	VITE
10	73016458	2	95B	BUSHING	BOCCOLA
11	73042939	2	61S	RETAINER	SCODELLINO DI RITEGNO
	70922887	1	60I	FITTING, LUBRICATION 1/8"NPT	INGRESSATORE
12	73042937	1	75D	SPACER	DISTANZIALE
13	70925751	2	257C	LOCKNUT, 2-1/4"NC	CONTRORODADO
14	73061793	1	80P	PIN	PERNO
	70919116	1	81P	PIN, SECURING 1/4" X 2-1/2"	PERNO DI FISSAGGIO
15	73061892	1	75G	LINK ASSY	GLIFO
16	73061895	1	80P	PIN ASSY	PERNO

FR11	FRAME (FRONT & REAR) TELAIO (ANT. E POST.) CHASSIS (AVANT ET ARRIERE) RAHMEN (VORN UND HINTEN) BASTIDOR (DELANTERO Y TRASERO)	D101	1



DT-81463

ITEM	PART NO.	QTY.	CODE	DESCRIPTION	DENOMINAZIONE
1	76007577	1	171	FRAME	INCASTELLATURA
			600L	INCLUDES ITEM(S)2,3	INCLUDE PARTIC.(1)
2	73042935	1	95B	BUSHING	BOCCOLA
			600C	UPPER	SUPERIORE
3	73020678	2	95B	BUSHING	BOCCOLA
4	73069947	1	105P	PLATE	PIASTRA
			600A	LEFT	SINISTRO
	73069948	1	105P	PLATE	PIASTRA
			600B	RIGHT	DESTRO
	70927187	4	40V	CAPSCREW, 3/8"NC X 1"	VITE
5	73071688	1	225S	STEP	STAFFA
	70920585	2	40V	CAPSCREW, 1/2"NC X 1-3/4"	VITE
	70677008	2	131R	WASHER	ROSETTA
	70933037	2	10D	NUT, 1/2"NC	DADO
6	73074408	1	105P	PLATE	PIASTRA
	70740602	1	105P	PLATE	PIASTRA
			600J	SPECIAL EQUIPMENT	EQUIP. SPECIALE
	70920585	4	40V	CAPSCREW, 1/2"NC X 1-3/4"	VITE
	70677008	4	131R	WASHER	ROSETTA
7	76009898	1	80P	PIN	PERNO
8	73044717	1	13B	DRAWBAR	BARRA DI TRAINO
11	73071648	1	62T	COUNTERWEIGHT (1000 LBS)(453.59 KG)	CONTRAPPESO
			600F	OUTER	ESTERNO
	a73074726	1	62T	COUNTERWEIGHT (735 LBS)(333.39 KG)	CONTRAPPESO
			600E	INNER	INTERNO
			600J	SPECIAL EQUIPMENT	EQUIP. SPECIALE
	a76007522	2	62T	COUNTERWEIGHT (1632 lbs)	CONTRAPPESO
			600E	INNER	INTERNO
			600J	SPECIAL EQUIPMENT	EQUIP. SPECIALE

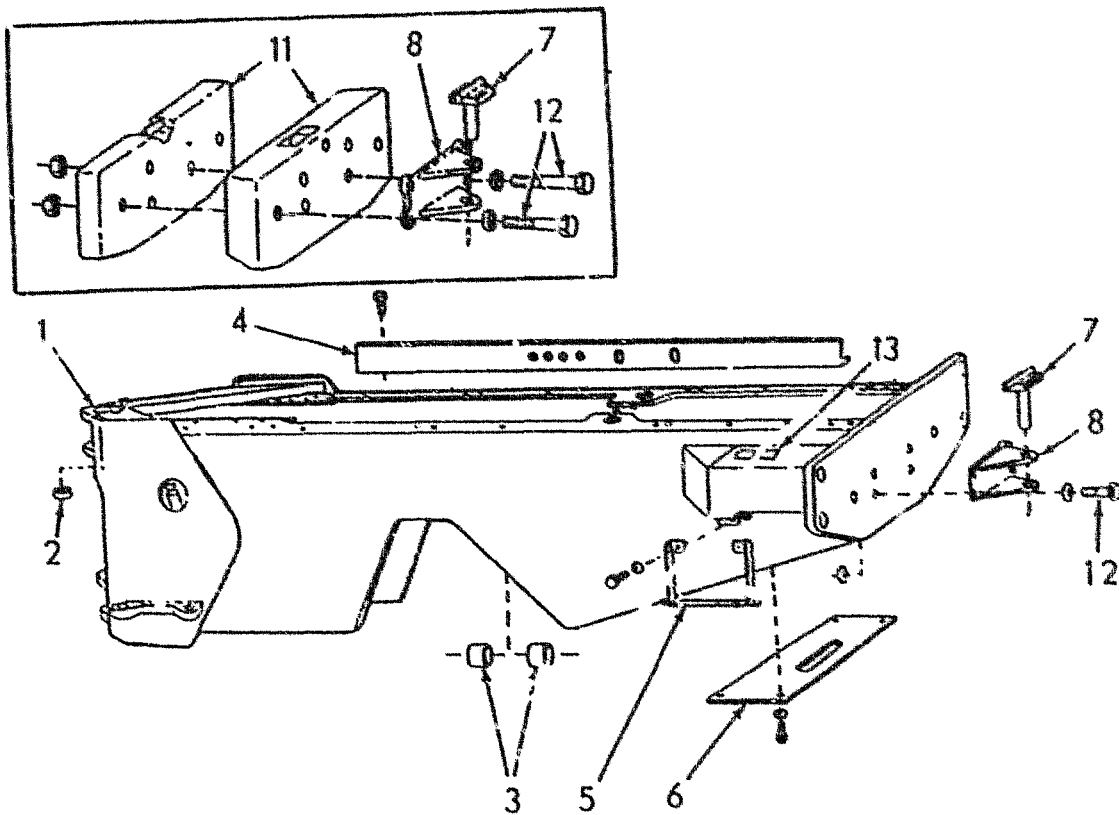
FR11

FRAME (FRONT & REAR)
 TELAIO (ANT. E POST.)
 CHASSIS (AVANT ET ARRIERE)
 RAHMEN (VORN UND HINTEN)
 BASTIDOR (DELANTERO Y TRASERO)

D101

2

REVISED OCTOBER 1990



DT-81463

ITEM PART NO. QTY. LEX. DESCRIPTION

12	70934209	-	40V	CAPSCREW, 7/8"NC X 9"
	70933119	-	40V	CAPSCREW, 7/8"NC X 5"
	70934206	-	40V	CAPSCREW, 7/8"NC X 7-1/2"
	70934211	-	40V	CAPSCREW, 7/8"NC X 10"
	a76009970	4	40V	CAPSCREW, M22 X 1.5 X 330MM
	a76009902	2	40V	CAPSCREW, M22 X 1.5 X 290MM
	70931478	-	131R	WASHER
	70932930	-	10D	NUT, 7/8"NC
			600P	AS REQUIRED
	15994931	2	40V	CAPSCREW, M22 X 1.5 X 180
	15995631	4	40V	CAPSCREW, M22 X 1.5 X 220
	79014963	6	131R	WASHER
	12164421	6	10D	NUT, M22
13	45015482	2	502D	STEP TREAD

a. Use this combination on units equipped for scrap yard operations.

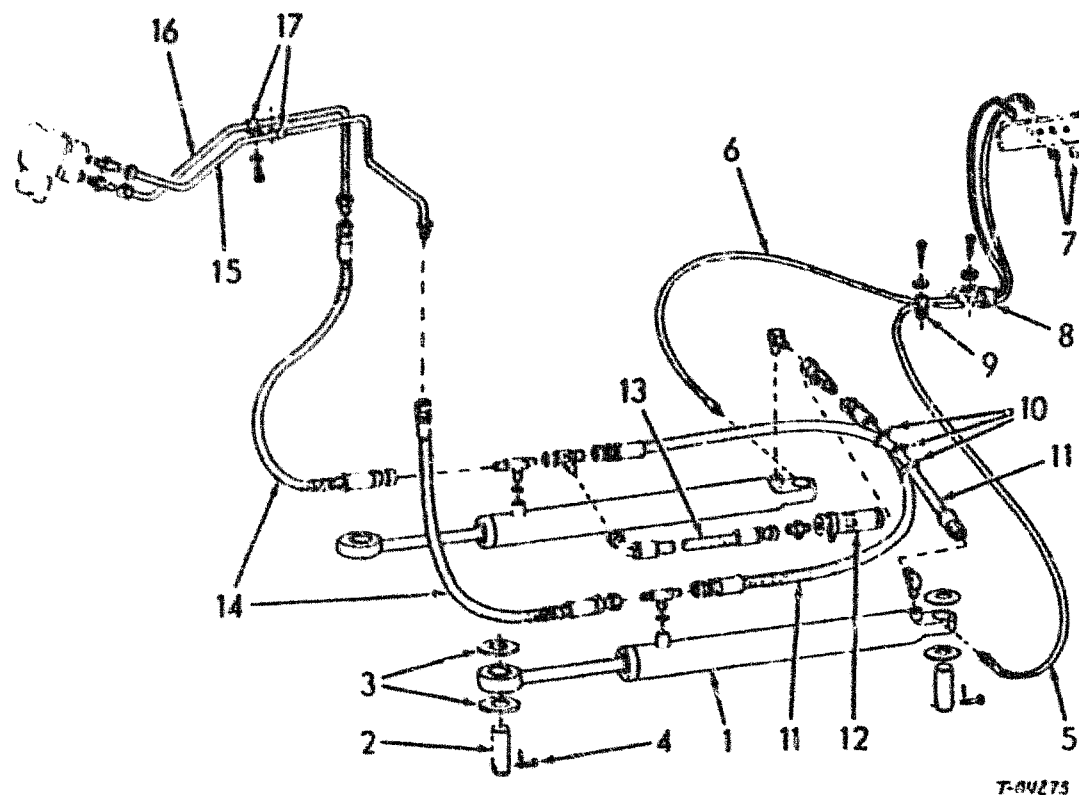
FR11

FRAME (FRONT & REAR)

D101

2

REVISED NOVEMBER 1990

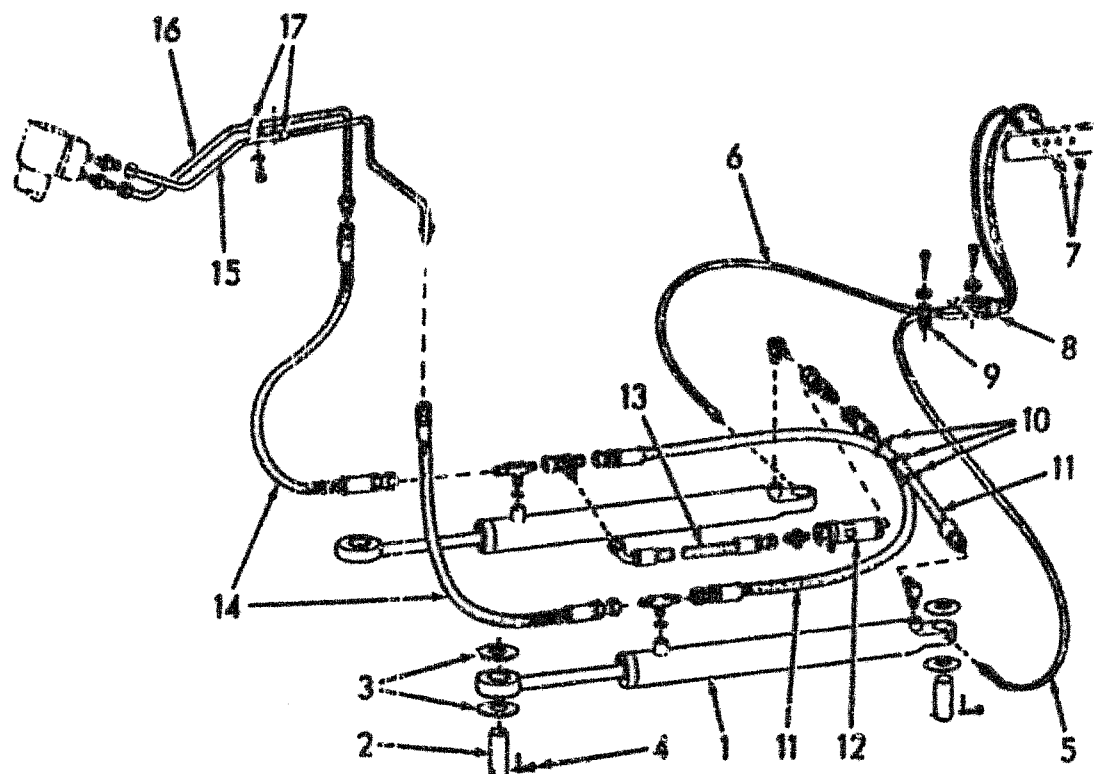


T-89275

ITEM	PART NO.	QTY.	CODE	DESCRIPTION	DENOMINAZIONE
1	-----	2	164C	CYLINDER (D212(2))	CILINDRO
2	73042706	1	80P	PIN	PERNO
3	73042705	8	75D	SPACER	DISTANZIALE
4	73001621	4	80P	PIN	PERNO
	70918452	4	270C	PIN, SPLIT, 1/8" X 1"	COPIGLIA
5	73070416	1	192T	HOSE	TUBO FLESSIBILE
			600A	LEFT	SINISTRO
6	73070417	1	192T	HOSE	TUBO FLESSIBILE
			600B	RIGHT	DESTRO
7	70912808	2	60I	FITTING, LUBRICATION	INGRASSATORE
				1/4"NPT	
	70933010	2	257C	LOCKNUT, 1/8"	CONTRODADO
8	70926049	1	120M	CLAMP	MORSETTO COLLARE
	70677006	1	131R	WASHER	ROSETTA
	70922763	1	40V	CAPSCREW, 3/8"NC X 1"	VITE
9	70928656	1	120M	CLAMP	MORSETTO COLLARE
	70677006	1	131R	WASHER	ROSETTA
	70922300	1	40V	CAPSCREW, 3/8"NC X 3/4"	VITE
10	70930871	-	50IH	TIE	TIRANTE
			600P	AS REQUIRED	DEFINITO AL MONTAGGIO
11	76009366	2	192T	HOSE	TUBO FLESSIBILE
	70921402	2	85G	ELBOW, 3/4"	COMITO
			600K	INCLUDES O-RING	INCLUDE O-RING
	70921349	2	55A	O-RING	ANELLO DI TENUTA
12	-----	1	6V	VALVE, DAMPING (D211(6))	VALVOLA AMMORTIZ.
	70921298	1	16R	TEE, 3/4"	RACCORDO A 3 VIE
	70935147	1	120M	CLAMP	MORSETTO COLLARE
	70677006	1	131R	WASHER, 3/8"	ROSETTA
	70922300	1	40V	CAPSCREW, 3/8"NC X 3/4"	VITE
13	73076595	1	192T	HOSE	TUBO FLESSIBILE
	70919066	1	50B	UNION, 3/4"	BOCCHETTO
	70921298	1	15R	TEE, 3/4"	RACCORDO A 3 VIE
14	73073936	2	192T	HOSE	TUBO FLESSIBILE
	70923157	2	16R	TEE, 3/4"	RACCORDO A 3 VIE
			600K	INCLUDES O-RING	INCLUDE O-RING
	70921349	2	55A	O-RING	ANELLO DI TENUTA

USAGE: Units prior to 530350

FR11	STEERING HYDRAULIC (CYLINDER SECTION) STERZO-IDRAULICA (CILINDRO) SYSTEME HYDRAULIQUE (VERINS DE DIRECTION) LENKHYDRAULIK (ZYLINDERTEIL) SISTEMA HIDRAULICO DEL CILINDRO DE DIRECCION	D211	1
		REVISED OCTOBER 1990	

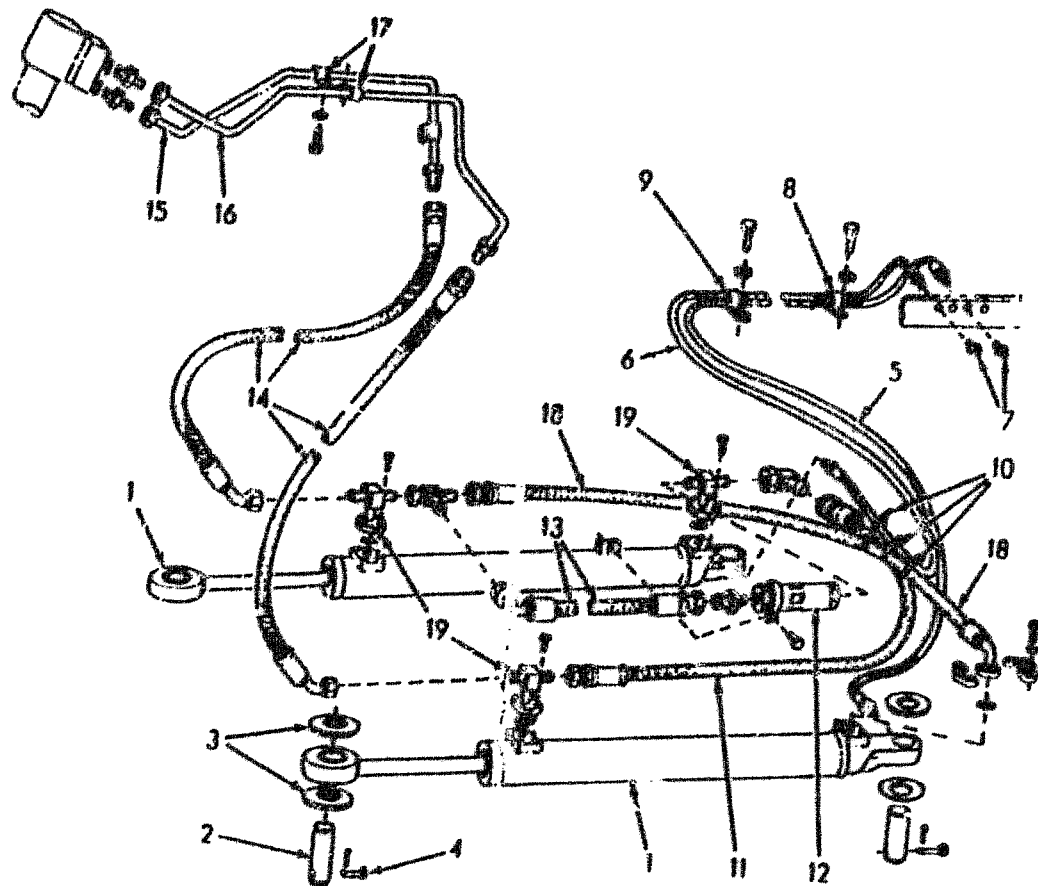


T-89273

ITEM	PART NO.	QTY.	CODE	DESCRIPTION	DENOMINAZIONE
15	73073988	1	206T	TUBE	TUBO
	70923080	1	75B	CONNECTOR, 3/4"	BLOCCETTO CONNESSIONE
			600K	INCLUDES O-RING	INCLUDE O-RING
	70921349	1	55A	O-RING	ANELLO DI TENUTA
16	70739808	1	206T	TUBE	TUBO
	70923080	1	75T	CONNECTOR, 3/11"	BLOCCETTO CONNESSIONE
			600K	INCLUDES O-RING	INCLUDE O-RING
	70921349	1	55A	O-RING	ANELLO DI TENUTA
17	04951968	4	120H	CLAMP	MORSETTO COLLARE
	70677006	2	131R	WASHER, 3/8"	ROSETTA
	70922763	1	40V	CAPSCREW, 3/8"NC X 1"	VITE
	70921076	1	40V	CAPSCREW, 3/8"NC X 1-1/4"	VITE

USAGE: Units prior to 530350

FR11	STEERING HYDRAULIC (CYLINDER SECTION) STERZO-IDRAULICA (CYLINDRO) SYSTEME HYDRAULIQUE (VERINS DE DIRECTION) LENKHYDRAULIK (ZYLINDERTEIL) SISTEMA HIDRAULICO DEL CILINDRO DE DIRECCION	0211	1
		REVISED OCTOBER 1990	



T-01130

ITEM PART NO. QTY. LEX. DESCRIPTION

ITEM	PART NO.	QTY.	LEX.	DESCRIPTION
1	-----	2	164C	CYLINDER (D212(2A))
2	73042706	4	80P	PIN
3	73042705	8	75D	SPACER
4	73001621	4	80P	PIN
	70918452	4	270C	PIN, SPLIT, 1/8" X 1"
5	73070416	1	192T	HOSE
			600A	LEFT
6	73070417	1	192T	HOSE
			600B	RIGHT
7	13406911	2	60I	FITTING, LUBRICATION 1/4"NPT
	70933010	2	257C	LOCKNUT, 1/8"
8	10450690	1	120M	CLAMP
	70677006	1	131R	WASHER
	70922763	1	40V	CAPSCREW, 3/8"NC X 1"
9	10450490	1	120M	CLAMP
	70677006	1	131R	WASHER
	70922300	1	40V	CAPSCREW, 3/8"NC X 3/4"
10	04982514	-	501H	TIE
			600P	AS REQUIRED
11	76009366	1	192T	HOSE
	79054284	1	85G	ELBOW
12	-----	1	6V	VALVE, DAMPING (D211(6))
	70935147	1	120M	CLAMP
	70677006	1	131R	WASHER, 3/8"
	11103034	1	40V	CAPSCREW
13	73076595	1	192T	HOSE
	70919066	1	90B	UNION, 3/4"
	70921298	1	16R	TEE, 3/4"
14	73073936	2	192T	HOSE
	70923157	2	16R	TEE, 3/4"
			600K	INCLUDES O-RING
	70921349	2	55A	O-RING

USAGE: UNIT NO 530350 AND UP

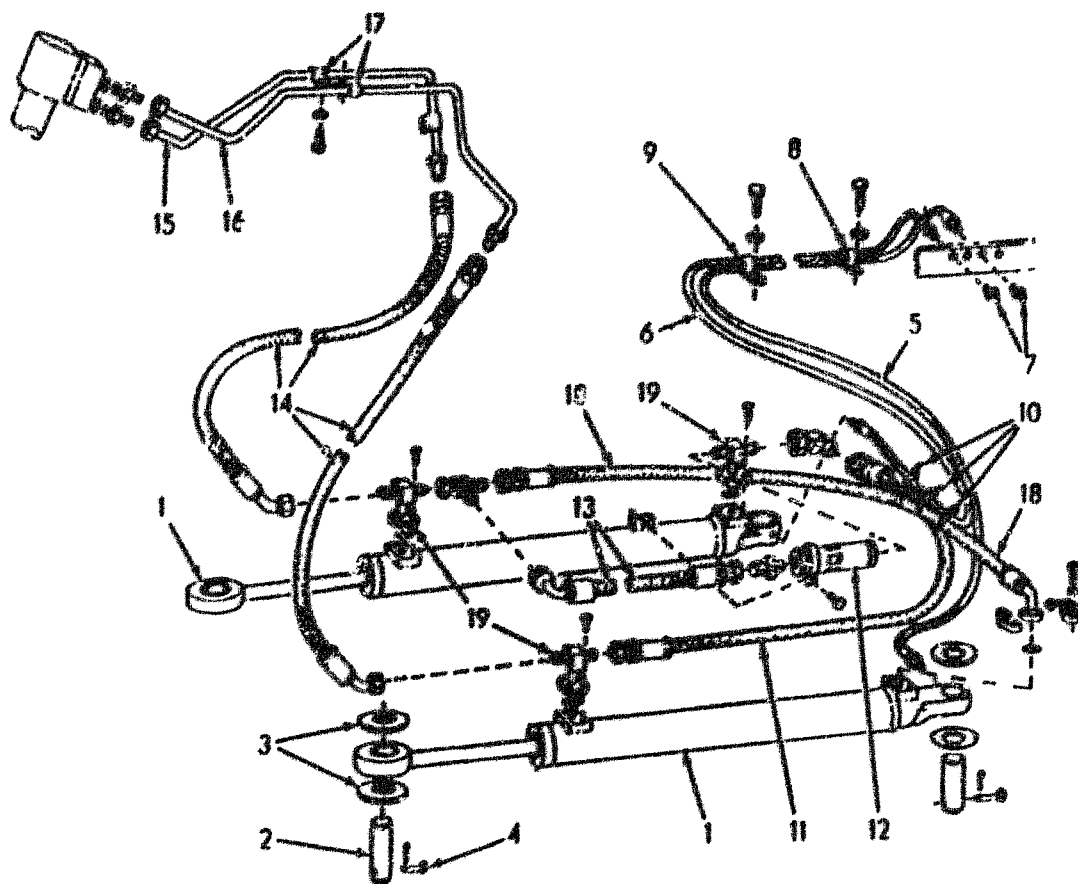
FR11

STEERING HYDRAULIC
(CYLINDER SECTION)

D211

1A

ADDED NOVEMBER 1990



T-01130

ITEM PART NO. QTY. LEX. DESCRIPTION

15	73073988	1	206T	TUBE
	70923080	1	75B	CONNECTOR, 3/4"
			600K	INCLUDES O-RING
	70921349	1	55A	O-RING
16	70739808	1	206T	TUBE
	70923080	1	75B	CONNECTOR, 3/4"
			600K	INCLUDES O-RING
	70921349	1	55A	O-RING
17	04951968	4	120M	CLAMP
	70677006	2	131R	WASHER, 3/8"
	70922703	1	40V	CAPSCREW, 3/8"NC X 1"
	70921076	1	40V	CAPSCREW, 3/8"NC X 1-1/4"
18	73137309	1	192T	HCSE
	16043630	4	40V	CAPSCREW
	70924191	1	55A	O-RING
19	73136582	3	16R	TEE
	16043630	12	40V	CAPSCREW
	70924191	3	55A	O-RING

USAGE: UNITS NO. 530350 AND UP

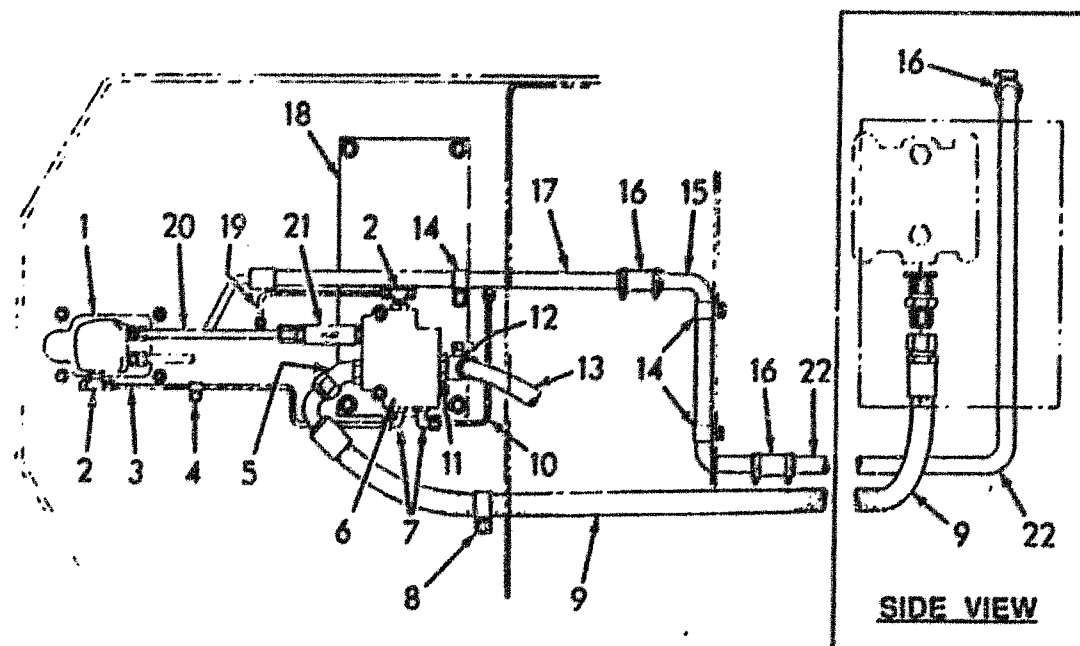
FR11

STEERING HYDRAULIC
(CYLINDER SECTION)

D211

1A

ADDED NOVEMBER 1990



BOTTOM VIEW

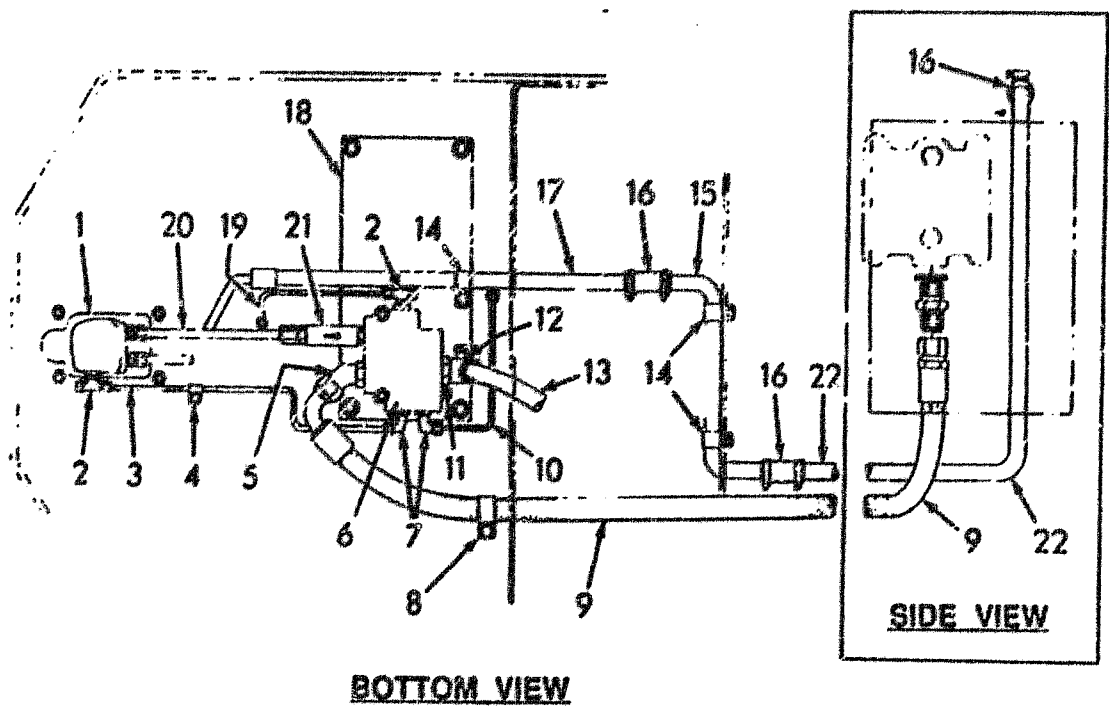
SIDE VIEW

T-85378

USAGE: STANDARD EQUIP.; USO: EQUIP. STANDARD; USAGE: EQUIP STANDARD; VERWENDUNG: STANDARDAUSRUSTUNG; USO: EQUIP. STANDARD

ITEM	PART NO.	QTY.	CODE	DESCRIPTION	DENOMINAZIONE
1	-----	1	189C	CONTROL (0211(4))	COMANDO
	70923080	4	75B	CONNECTOR, 3/4"	BLOCCHETTO CONNESSIONE
			600K	INCLUDES O-RING	INCLUDE O-RING
	70921349	1	55A	O-RING	ANELLO DI TENUTA
2	70922418	2	16R	TEE	RACCORDI A 3 VIE
			600K	INCLUDES O-RING	INCLUDE O-RING
	70921883	2	55A	O-RING	ANELLO DI TENUTA
	70921467	2	20C	CAP	CALOTTA
3	73135671	1	206T	TUBE	TUBO
4	10450290	2	120M	CLAMP	MORSETTO COLLARE
	70677006	1	131R	WASHER	ROSETTA
	70922300	1	40V	CAPSCREW, 3/8"NC X 3/4"	VITE
5	70921215	1	85G	ELBOW	GOMITO
			600K	INCLUDES O-RING	INCLUDE O-RING
	70921214	1	55A	O-RING	ANELLO DI TENUTA
6	73137289	1	10V	VALVE (0211(5))	VALVOLA
	70929803	2	40V	CAPSCREW,	VITE
				5/16"NC X 3-1/2"	
	70929662	2	131R	WASHER	ROSETTA
	70933622	2	10D	NUT, 5/16"NC	DADO
7	70922571	2	85G	ELBOW	GOMITO
			600K	INCLUDES O-RING	INCLUDE O-RING
	70921883	2	55A	O-RING	ANELLO DI TENUTA
8	70925622	1	120M	CLAMP	MORSETTO COLLARE
	70677006	1	131R	WASHER	ROSETTA
	70922300	1	40V	CAPSCREW, 3/8"NC X 3/4"	VITE
9	73137209	1	192T	HOSE	TUBO FLESSIBILE
			600Q	SEE HOSE PARTS	VEDERE TUBI FLESSIBILI
	70922411	1	75B	CONNECTOR, 1-5/16"	BLOCCHETTO CONNESSIONE
			600K	INCLUDES O-RING	INCLUDE O-RING
	70921214	1	55A	O-RING	ANELLO DI TENUTA
10	73073949	1	206T	TUBE	TUBO
11	70923166	1	50T	PLUG, 7/16"	TAPPO
12	73075035	1	85G	ELBOW	GOMITO
			600K	INCLUDES O-RING	INCLUDE O-RING
	70921214	1	55A	O-RING	ANELLO DI TENUTA
	70921467	1	20C	CAP	CALOTTA

FR11	STEERING HYDRAULIC (PUMP & VALVE) STERZO-IDRAULICA (POMPA E DISTR.) SYSTEME HYDRAULIQUE (POMPE ET DISTRIBUTEUR) LENKHYDRAULIK (PUMPE UND VENTIL) SISTEMA HIDRAULICO DE LA BOMBA Y VALVULA	0211	2
		REVISED OCTOBER 1990	



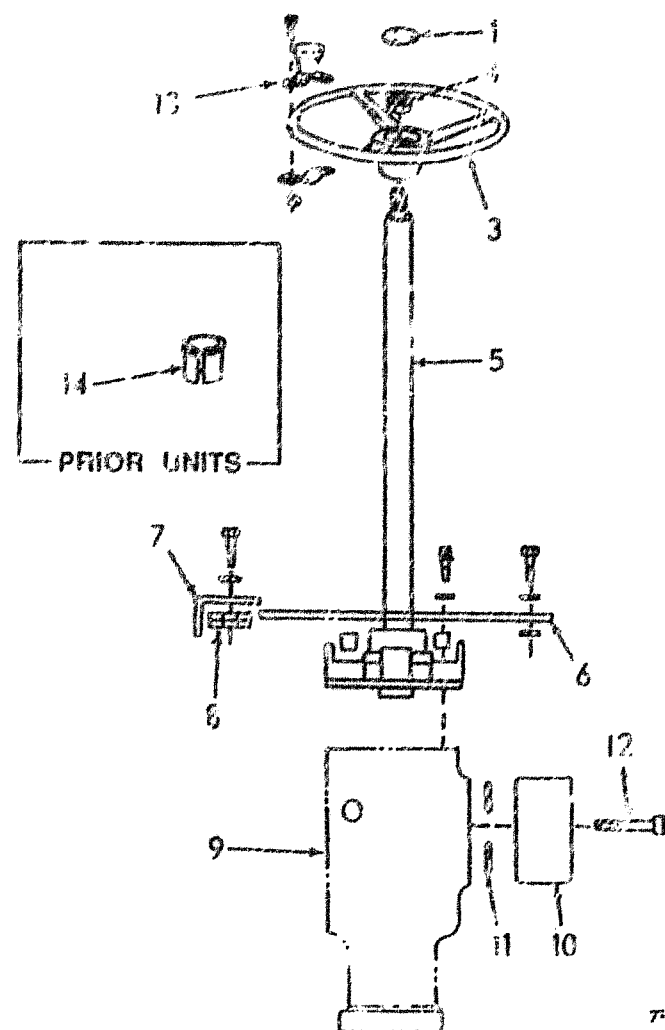
ITEM PART NO. QTY. LEX. DESCRIPTION

ITEM	PART NO.	QTY.	LEX.	DESCRIPTION
13	-----	1	192T	HOSE (E302(1))
14	70929806	3	120M	CLAMP
	70677006	3	131R	WASHER
	70922763	3	40V	CAPSCREW, 3/8"NC X 1"
15	73073951	1	206T	TUBE
16	76015371	3	192T	HOSE (230mm)
			600W	CUT AS ASSEMBLY
	79083845	6	120M	CLAMP
17	76011632	1	206T	TUBE
18	73073975	1	105P	PLATE
	73073915	4	61T	PAD, CUSHIONING
	70920996	4	40V	CAPSCREW, 3/8"NC X 2-1/4"
	70915798	4	131R	WASHER
	70915891	4	257C	LOCKNUT, 3/8"NC
19	73073947	1	206T	TUBE
20	76011633	1	206T	TUBE
21	73073919	1	204V	VALVE, CHECK
	70921205	1	55A	O-RING
	70923080	2	75B	CONNECTOR, 3/4"
			600K	INCLUDES O-RING
	70921349	2	55A	O-RING
22	73073953	1	206T	TUBE

USAGE: STANDARD EQUIPMENT

FR11	STEERING HYDRAULIC (PUMP & VALVE)	D211	2
		REVISED NOVEMBER 1990	

0211(3)



T-814-8

ITEM	PART NO.	QTY.	CODE	DESCRIPTION	DENOMINAZIONE
1	79064000	1	150S	MEDALLION	SIGLA
3	75065994	1	50P	WHEEL, STEERING	VOLANTE DI GUIDA
4	70252471	1	110	NUT, 13/16"NF	DADO
5	76009412	1	103P	COLUMN, STEERING	PIANTONE DELLA GUIDA
	76012473	1	600X	PRIOR TO UNIT NO.530226	FINO AL TELAIO.....
	70927157	4	40V	CAPSCREW, 3/8"NC X 1-3/8"	PIANTONE DELLA GUIDA DAL TELAIO.....
	70929156	4	131R	WASHER	VITE
	73011034	4	75D	SPACER	ROSETTA
6	73139344	1	105P	PLATE	DISTANZIALE
	70921076	4	40V	CAPSCREW, 3/8"NC X 1-1/4"	PIASTRA
	70677006	4	131R	WASHER	VITE
	70929156	2	131P	WASHER	ROSETTA
			600P	AS REQUIRED	ROSETTA
7	73073973	1	105P	PLATE	DEFINITO AL MONTAGGIO
	70922300	2	40V	CAPSCREW, 3/8"NC X 3/4"	PIASTRA
	70677006	2	131R	WASHER	VITE
8	73073986	1	501K	BARRIER	ROSETTA
9	-----	1	109C	CONTROL (D211140)	SCERMO
10	73073914	1	10V	VALVE	COMANDO
			600L	INCLUDES ITEMS 11, 12	VALVOLA
11	70924775	4	57A	O-RING	INCLUDE PARTIC.(1)
12	73077157	2	40V	CAPSCREW, 3/8"NC X 2"	ANELLO DI TENUTA
13	79066286	1	150P	KNOB	VITE
			600J	SPECIAL EQUIPMENT	POMELLO
14	76012488	1	45A	RING	EQUIP. SPECIALE
			600X	PRIOR TO UNIT NO.530226	ANELLO
					FINO AL TELAIO.....

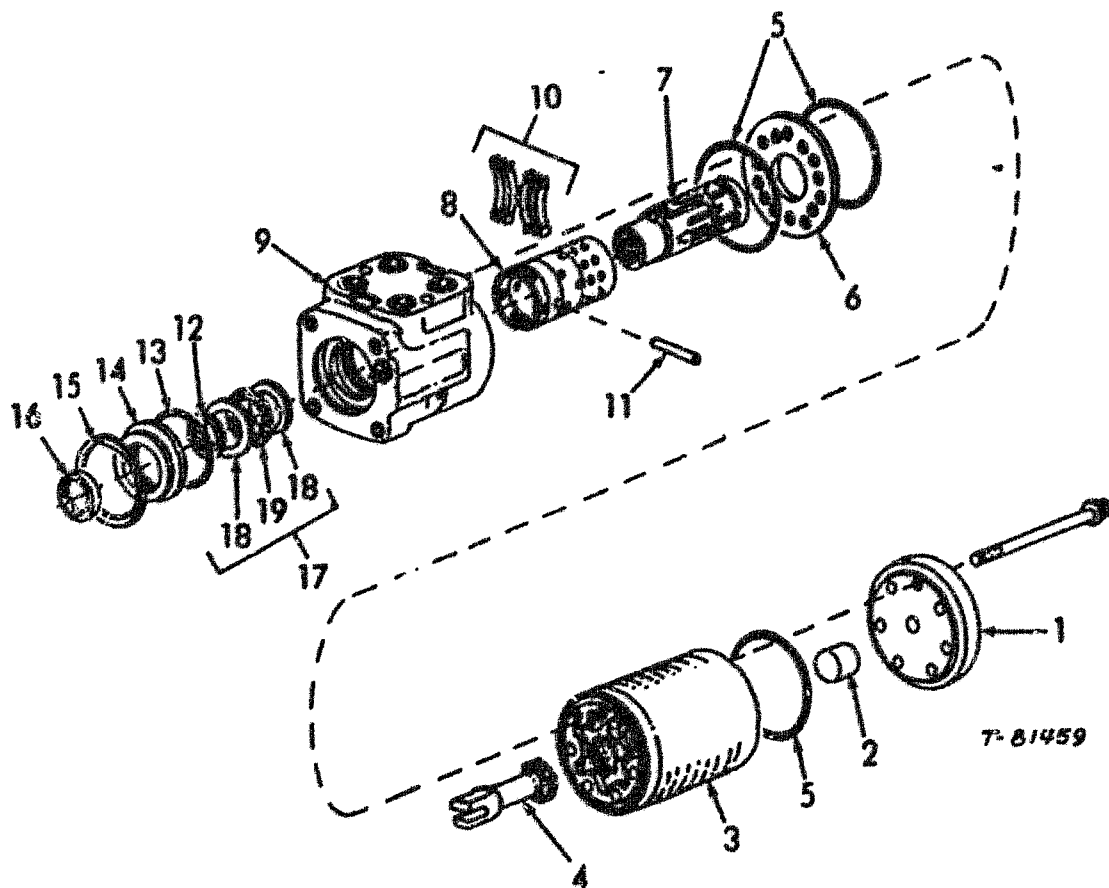
FR11

STEERING HYDRAULIC (COLUMN SECTION)
 STERZO-IDRAULICA (COLONNA)
 SYSTEME HYDRAULIQUE (COLONNE DE DIRECTION)
 LENKHYDRAULICK (GESTELLTEIL)
 SISTEMA HIDRAULICO DE LA COLUMNA DE DIRECCION

D211

3

Revised August 1988

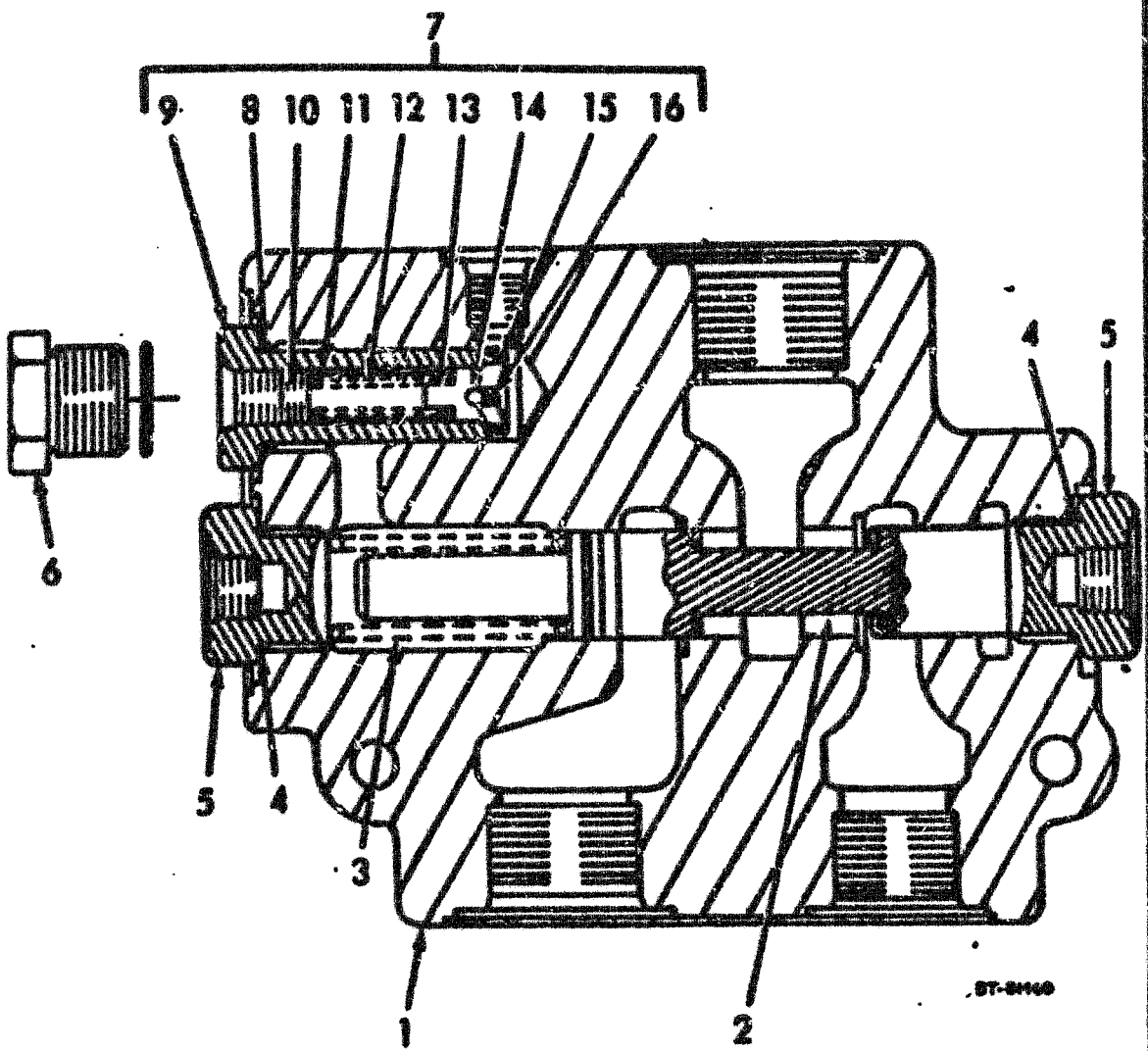


ITEM	PART NO.	QTY.	CODE	DESCRIPTION	DENOMINAZIONE
-	79060694	1	189C	CONTROL	COMANDO
	600L			INCLUDES ITEM(S)1-19	INCLUDE PARTIC.(1)
1	45483434	1	20C	CAP	CALOTTA
	10913034	6	40V	CAPSCREW	VITE
	79062896	1	40V	CAPSCREW	VITE
a-----		7	131R	WASHER	ROSETTA
2	-----	1	750	SPACER	DISTANZIALE
3	79062895	1	108G	GEAR UNIT, TRANSFER	GRUPPO DI RINVIO
4	45483430	1	8A	SHAFT, DRIVE	ALBERO DI COMANDO
5	a-----	3	55A	O-RING	ANELLO DI TENUTA
6	45483432	1	105P	PLATE	PIASTRA
7	b-----	1	501C	SPOOL	CASSETTO
8	b-----	1	59C	SLEEVE	CANNOTTO
9	b-----	1	35S	HOUSING	SCATOLA
10	71314916	1	100M	SPRING	MOLLA
11	45483428	1	80P	PIN	PERNO
12	a-----	1	48A	RING,RUBBER	ANELLO DI GOMMA
13	a-----	1	55A	O-RING	ANELLO DI TENUTA
14	a-----	1	95B	BUSHING	BOCCOLA
15	a-----	1	56A	RING,RETAINING	ANELLO DI RITEGNO
16	a-----	1	133R	SEAL	GUARNIZIONE TENUTA
17	71314915	1	129S	KIT	SERIE
	600L			INCLUDES ITEM(S)18,19	INCLUDE PARTIC.(1)
18	-----	2	129P	RACE	PISTA
19	-----	1	340C	BEARING	CUSCINETTO
20	45483416	1	129S	KIT	SERIE
	600L			INCLUDES ITEM(S) 5,12-16	INCLUDE PARTIC.(1)

a. COMPONENTS OF ITEM 20.
 INCLUSI NEL PART. 20.
 INCLUS AVEC ARTICLE 20.
 GEHORT ZU STUCK NR. 20.
 INCLUSO CON ARTICULO 20.

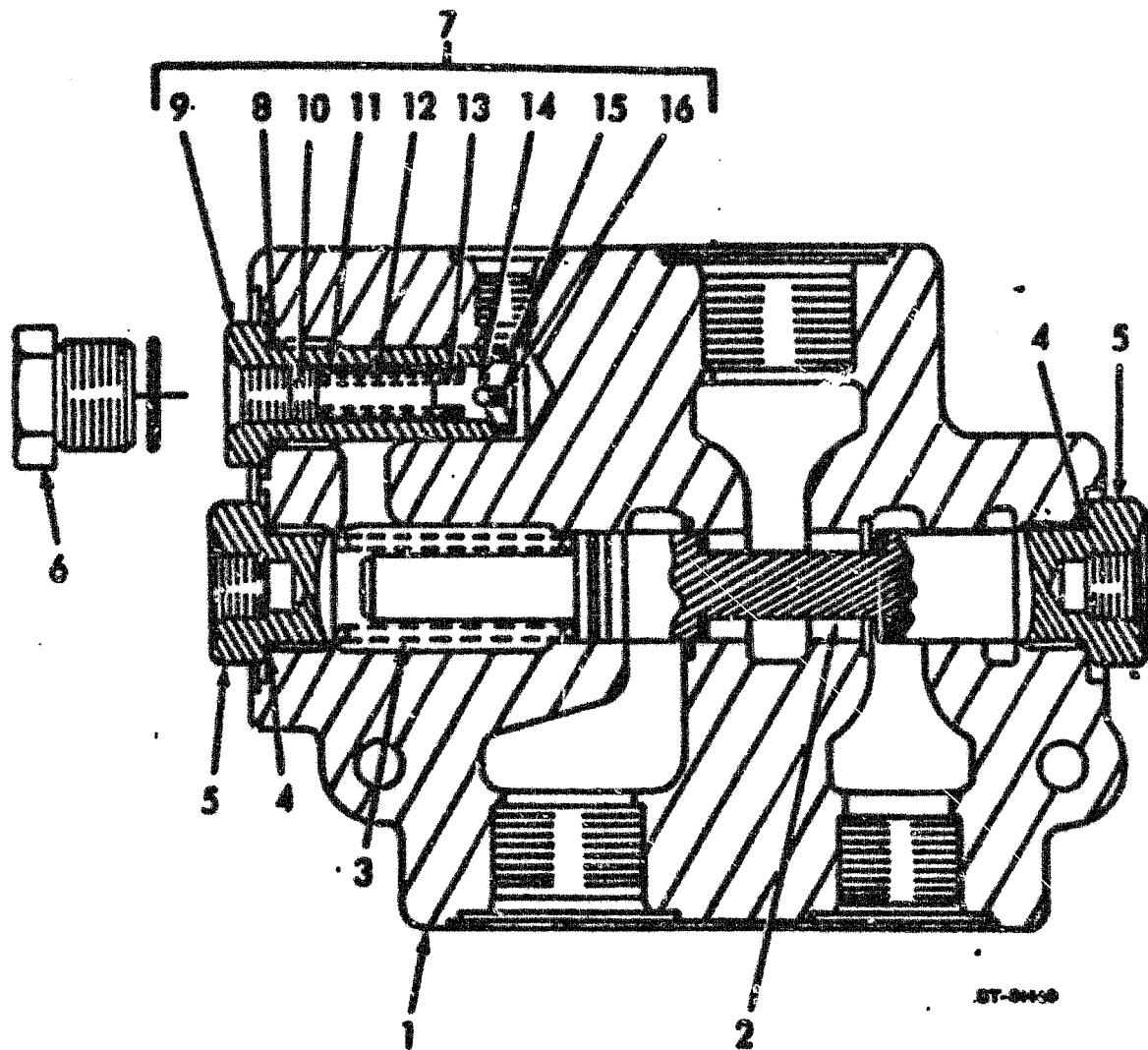
b. NOT SERVICED
 NON FORNITO DI RICAMS.

FR11	STEERING CONTROL UNIT STERZO-UNITA COMANDO DISTRIBUTEUR DE LA DIRECTION LENKSTEUERUNG VALVULA DE MANDO DE LA DIRECCION	0211	4
------	--	------	---



ITEM	PART NO.	QTY.	CODE	DESCRIPTION	DENOMINAZIONE
-	a73137289	1	10V	VALVE	VALVOLA
	600L			INCLUDES ITEM(S)5,7-16	INCLUDE PARTIC.(1)
-	b73074937	1	10V	VALVE	VALVOLA
	600L			INCLUDES ITEM(S)1-6	INCLUDE PARTIC.(1)
1	-----	1	35S	HOUSING	SCATOLA
	601C			NOT SERVICED	NON FORNITO DI RICAMB.
2	-----	1	501C	SPOOL	CASSETTO
	601C			NOT SERVICED	NON FORNITO DI RICAMB.
3	a73140483	1	100M	SPRING	MOLLA
	b73076923	1	100M	SPRING	MOLLA
4	70921205	2	55A	O-RING	ANELLO DI TENUTA
5	73076922	2	50T	PLUG	TAPPO
6	70921573	1	50T	PLUG	TAPPO
	600K			INCLUDES O-RING	INCLUDE O-RING
	70921349	1	55A	O-RING	ANELLO DI TENUTA
7	73076921	1	10V	VALVE	VALVOLA
	600L			INCLUDES ITEM(S)8-16	INCLUDE PARTIC.(1)
8	70921349	1	55A	O-RING	ANELLO DI TENUTA
9	-----	1	300C	PODY	CORPO
	600M			ORDER ITEM(S)7	ORDINARE PARTIC.
10	-----	1	51V	SCREW, ADJUSTABLE	VITE DI REGOLAZIONE
	600M			ORDER ITEM(S)7	ORDINARE PARTIC.
11	-----	1	147G	GUIDE, SPRING	GUIDA MOLLA
	600M			ORDER ITEM(S)7	ORDINARE PARTIC.
12	-----	1	100M	SPRING	MOLLA
	600M			ORDER ITEM(S)7	ORDINARE PARTIC.
13	-----	1	56A	RING, RETAINING	ANELLO DI RITEGNO
	600M			ORDER ITEM(S)7	ORDINARE PARTIC.
14	-----	1	140S	BALL	SFERA
	600M			ORDER ITEM(S)7	ORDINARE PARTIC.
15	-----	1	45A	RING	ANELLO
	600M			ORDER ITEM(S)7	ORDINARE PARTIC.
16	-----	1	42V	SCREW	VITE
	600M			ORDER ITEM(S)7	ORDINARE PARTIC.

FR11	STEERING VALVE ASSEMBLY STERZO-DISTRIBUTORE COMMANDE DE LA DIRECTION LENKSTEUERVENTIL VALVULA DE MANDO DE LA DIRECCION	0211	5



ITEM PART NO. QTY. CODE DESCRIPTION

DENOMINAZIONE

- a. UNITS EQUIPPED WITH EMERGENCY STEERING.
 UNITA' EQUIPAGGIATE CON STERZO D'EMERGENZA.
 ENGINIS MUNIS D'UNE DIRECTION DE SECOURS.
 MASCHINEN MIT NOTLENKUNG.
 MAQUINAS EQUIPADAS DE UNA DIRECCION DE EMERGENCIA.
- b. WITHOUT EMERGENCY STEERING.
 SENZA EMERGENZA STERZO.
 SANS DIRECTION DE SECOURS.
 OHNE NOTLENKUNGS.
 SIN DIRECCION DE EMERGENCIA.

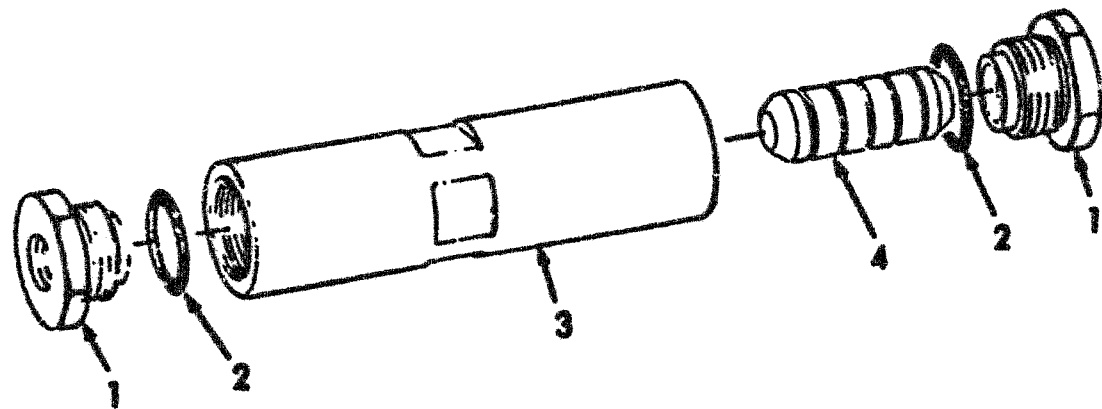
FR11

STEERING VALVE ASSEMBLY
 STERZO-DISTRIBUTORE
 COMMANDE DE LA DIRECTION
 LENKSTEUERVENTIL
 VALVULA DE MANDO DE LA DIRECCION

D211

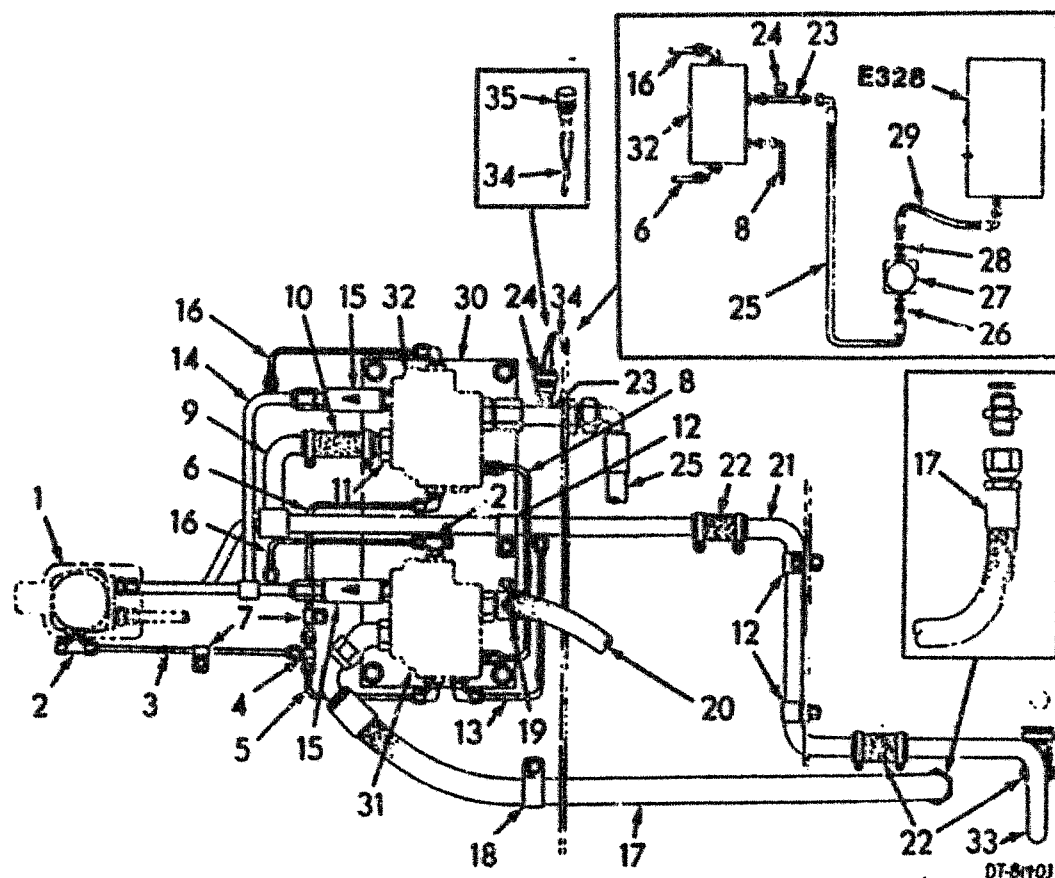
5

ITEM	PART NO.	QTY.	CODE	DESCRIPTION	DENOMINAZIONE
-	73076592	1	10V	VALVE	VALVOLA
			600L	INCLUDES ITEM(S)1-4	INCLUDE PARTIC.(1)
1	73076587	2	20R	FITTING	RACCORDO
2	70921214	2	55A	O-RING	ANELLO DI TENUTA
3	-----	1	164C	CYLINDER	CILINDRO
			601C	NOT SERVICED	NON FORNITO DI RICAMB.
4	73076284	1	235S	PISTON	STANTUFFO



T-81461

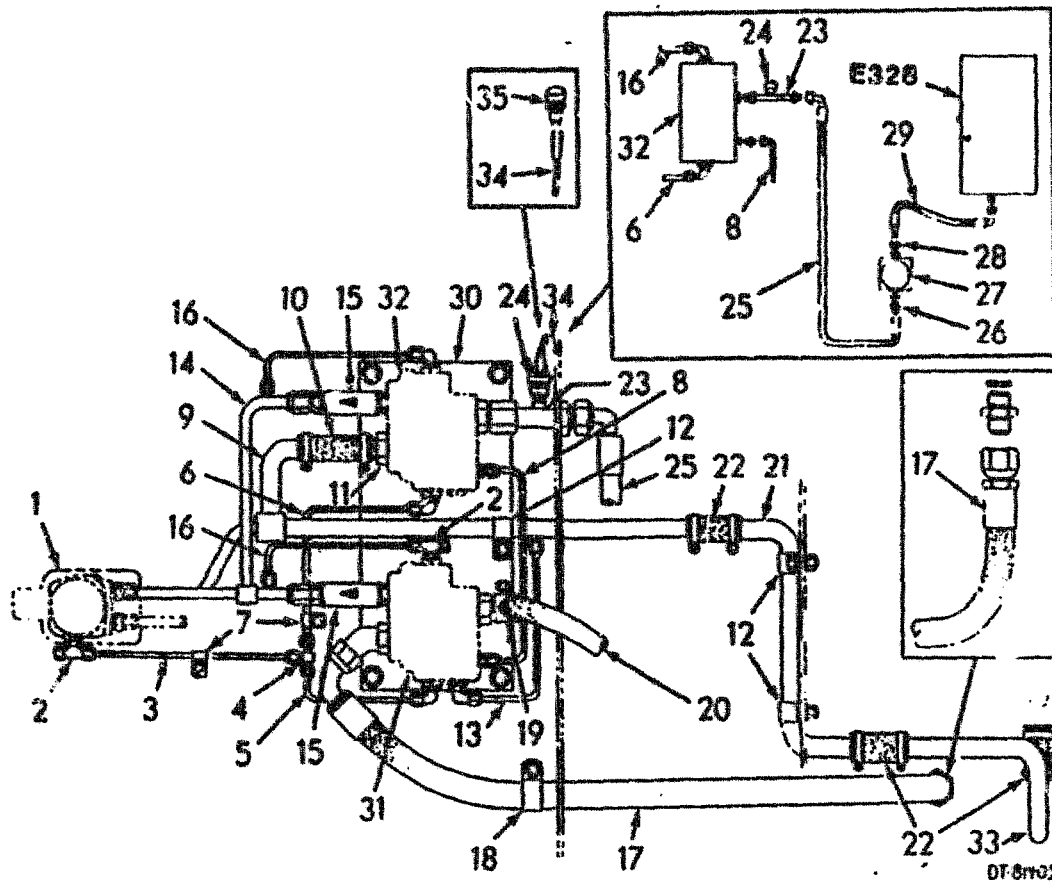
FR11	CUSHION VALVES VALVOLE AMMORTIZZATRICE VALVES D'AMORTISSEMENT FAHRERSITZDAMPFER- VENTILE VALVULAS AMORTIGUADORAS	D211	6



ITEM	PART NO.	QTY.	CODE	DESCRIPTION	DENOMINAZIONE
1	-----	1	189C	CONTROL (D211(4))	COMANDO
2	70922418	2	16R	TEE, 7/16"	RACCORDO A 3 VIE
			600K	INCLUDES O-RING	INCLUDE O-RING
	70921883	1	55A	O-RING	ANELLO DI TENUTA
	70921467	2	20C	CAP	CALOTTA
3	73073948	1	206T	TUBE	TUBO
4	70928946	1	16R	TEE, 7/16"	RACCORDO A 3 VIE
5	73073946	1	206T	TUBE	TUBO
	70922571	1	85G	ELBOW, 7/16"	GOMITO
			600K	INCLUDES O-RING	INCLUDE O-RING
	70921883	1	55A	O-RING	ANELLO DI TENUTA
6	73073945	1	206T	TUBE	TUBO
	70922571	1	85G	ELBOW	GOMITO
			600K	INCLUDES O-RING	INCLUDE O-RING
	70921883	1	55A	O-RING	ANELLO DI TENUTA
7	70928654	2	120M	CLAMP	MORSETTO COLLARE
	70922300	2	40V	CAPSCREW, 3/8"NC X 3/4"	VITE
	70677006	2	131R	WASHER	ROSETTA
8	73074935	1	206T	TUBE	TUBO
	70923163	2	75B	CONNECTOR, 7/16"	BLOCCHETTO CONNESSIONE
			600K	INCLUDES O-RING	INCLUDE O-RING
	70921883	2	55A	O-RING	ANELLO DI TENUTA
9	73074284	1	206T	TUBE	TUBO
10	73075466	1	192T	HOSE	TUBO FLESSIBILE
	70921912	2	120M	CLAMP	MORSETTO COLLARE
11	70926870	1	28N	NIPPLE, 1-5/16"	NIPPLO
			600K	INCLUDES O-RING	INCLUDE O-RING
	70921214	1	55A	O-RING	ANELLO DI TENUTA
12	70929806	3	120M	CLAMP	MORSETTO COLLARE
	70922763	3	40V	CAPSCREW, 3/8"NC X 1"	VITE
	70677006	3	131R	WASHER	ROSETTA
13	73073949	1	206T	TUBE	TUBO
	70922571	1	85G	ELBOW, 7/16"	GOMITO
			600K	INCLUDES O-RING	INCLUDE O-RING
	70921883	1	55A	O-RING	ANELLO DI TENUTA

USAGE: OPTIONAL EQUIPMENT; USO: IN ALTERNATIVA; USAGE: EN ALTERNATIVE;
 VERENDUNG: ABWECHSELND; USO: OPTICAS.

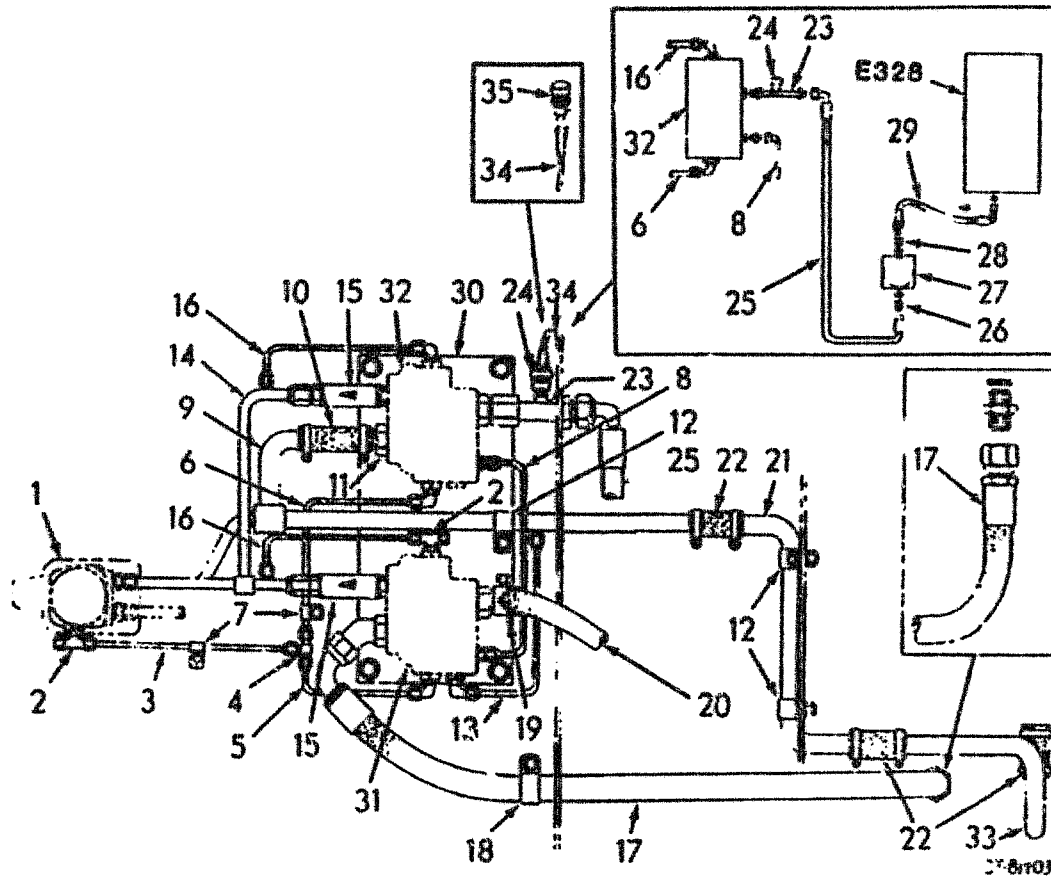
FR11	EMERGENCY STEERING SYSTEM SISTEMA EMERGENZA STERZO SYSTEME DE DIRECTION DE SECOURS NOTLENKUNGSSYSTEM SISTEMA DIRECCION DE EMERGENCIA	0211/1



ITEM	PART NO.	QTY.	CODE	DESCRIPTION	DEMINIAZIONE
14	73073990	1	206T	TUBE	TUBO
	70923080	1	75B	CONNECTOR, 3/4"	BLOCCETTO CONNESSIONE
			600K	INCLUDES O-RING	INCLUDE O-RING
	70921349	1	55A	O-RING	ANELLO DI TENUTA
15	73073919	2	10V	VALVE	VALVOLA
	70921205	2	55A	O-RING	ANELLO DI TENUTA
	70923080	4	75B	CONNECTOR, 3/4"	BLOCCETTO CONNESSIONE
			610K	INCLUDES O-RING	INCLUDE O-RING
	70921349	4	55A	O-RING	ANELLO DI TENUTA
16	73073947	2	206T	TUBE	TUBO
	70922571	2	85G	ELBOW, 7/16"	GOMITO
			600K	INCLUDES O-RING	INCLUDE O-RING
	70921883	2	55A	O-RING	ANELLO DI TENUTA
17	73137209	1	192T	HOSE	TUBO FLESSIBILE
			600Q	SEE HOSE PARTS	VEDERE TUBI FLESSIBILI
	70921215	1	85G	ELBOW	GOMITO
			600K	INCLUDES O-RING	INCLUDE O-RING
	70921214	1	55A	O-RING	ANELLO DI TENUTA
	70922411	1	75B	CONNECTOR, 1-5/16"	BLOCCETTO CONNESSIONE
			600K	INCLUDES O-RING	INCLUDE O-RING
	70921214	1	55A	O-RING	ANELLO DI TENUTA
18	70925622	1	120M	CLAMP	MORSETTO COLLARE
	70677006	1	131R	WASHER	ROSETTA
	70922300	1	40V	CAPSCREW, 3/8"NC X 3/4"	VITE
19	73075035	1	85G	ELBOW	GOMITO
			600K	INCLUDES O-RING	INCLUDE O-RING
	70921214	1	55A	O-RING	ANELLO DI TENUTA
	70921467	1	20C	CAP	CALOTTA
20	-----	1	192T	HOSE (E302(1))	TUBO FLESSIBILE
21	73073951	1	206T	TUBE	TUBO
22	73073969	3	192T	HOSE	TUBO FLESSIBILE
	70921912	6	120M	CLAMP	MORSETTO COLLARE
23	73136445	1	206T	TUBE	TUBO
	70922997	1	75B	CONNECTOR, 1-5/16"	BLOCCETTO CONNESSIONE
			600K	INCLUDES O-RING	INCLUDE O-RING
	70921214	1	55A	O-RING	ANELLO DI TENUTA
24	76008494	1	751	SWITCH	INTERRUTTORE

USAGE: OPTIONAL EQUIPMENT; USO: IN ALTERNATIVA; USAGE: EN ALTERNATIVE;
 VERENDUNG: ABWECHSELND; USO: OPTICAS.

FR11	EMERGENCY STEERING SYSTEM SISTEMA EMERGENZA STERZO SYSTEME DE DIRECTION DE SECOURS NOTLENKUNGSSYSTEM SISTEMA DIRECCION DE EMERGENCIA	D211/1
------	--	--------



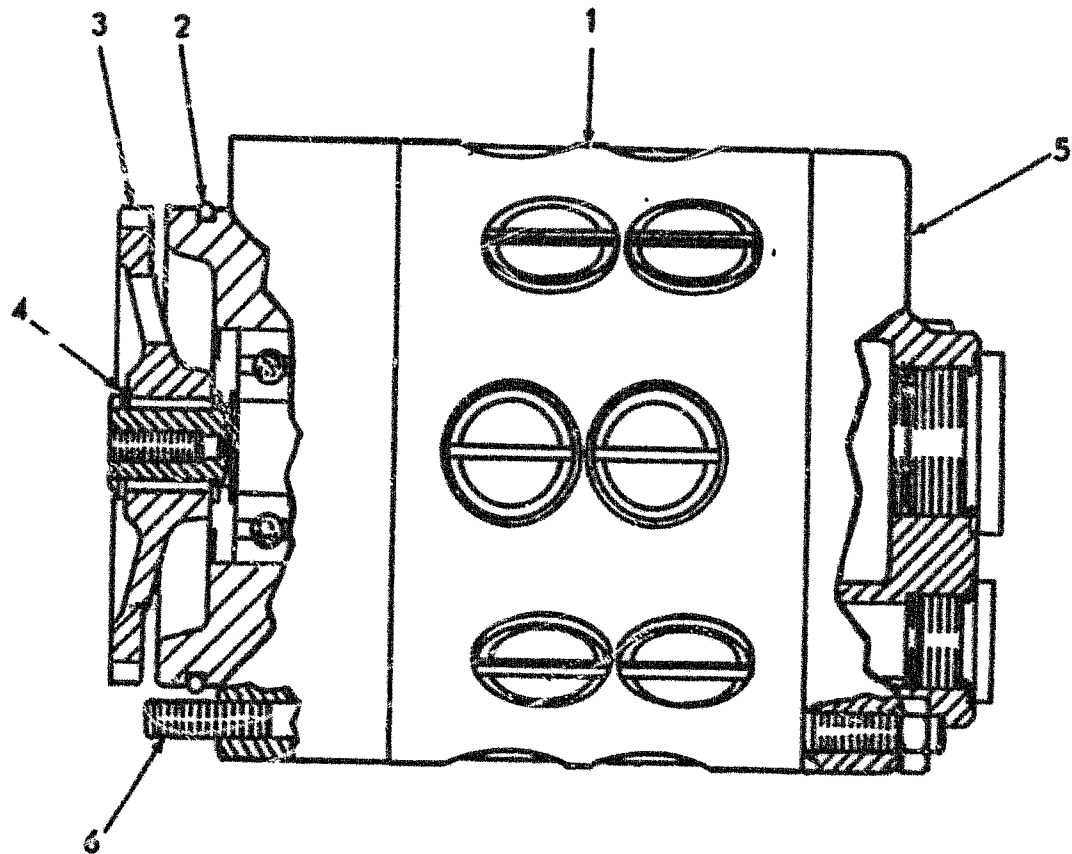
ITEM	PART NO.	QTY.	CODE	DESCRIPTION	DENOMINAZIONE
25	73137212	1	192T	HOSE	TUBO FLESSIBILE
	600Q			SEE HOSE PARTS	VEDERE TUBI FLESSIBILI
26	73069099	1	75B	CONNECTOR, M22 X 1.5	BLOCCETTO CONNESSIONE
	10263460	1	55A	O-RING	ANELLO DI TENUTA
27	-----	1	161P	PUMP, HYDRAULIC (D211/2)	POMPA IDRAULICA
	16045834	4	40V	CAPSCREW, M8 X 1.25 X 130MM	VITE
28	73137236	1	75B	CONNECTOR, M33 X 2	BLOCCETTO CONNESSIONE
	11271160	1	55A	O-RING	ANELLO DI TENUTA
29	73137211	1	192T	HOSE	TUBO FLESSIBILE
	70924688	1	75B	CONNECTOR, 1"	BLOCCETTO CONNESSIONE
			600K	INCLUDES O-RING	INCLUDE O-RING
	70921214	1	55A	O-RING	ANELLO DI TENUTA
30	73073975	1	105P	PLATE	PIASTRA
	73073915	4	61T	PAD, CUSHIONING	TASSELLO ELASTICO
	70920996	4	40V	CAPSCREW, 3/8"NC X 2-1/4"	VITE
	70915798	4	131R	WASHER	ROSETTA
	70915891	4	257C	LOCKNUT, 3/8"NC	CONTRODADO
31	73137289	1	10V	VALVE (D211(5))	VALVOLA
	70929803	2	40V	CAPSCREW, 5/16"NC X 3-1/2"	VITE
	70929662	2	131R	WASHER	ROSETTA
	70933622	2	10D	NUT, 5/16"NC	DADO
32	73074937	1	10V	VALVE (D211(5))	VALVOLA
	70929803	2	40V	CAPSCREW, 5/16"NC X 3-1/2"	VITE
	70929662	2	131R	WASHER	ROSETTA
	70933622	2	10D	NUT, 5/16"NC	DADO
33	73073953	1	206T	TUBE	TUBO
34	76008546	1	701	CABLE HARNESS	INSIEME CAVI
35	76008432	1	87S	INDICATOR	SEGNA LATORE

USAGE: OPTIONAL EQUIPMENT; USO: IN ALTERNATIVA; USAGE: EN ALTERNATIVE;
VERENDUNG: ABWECHSELND; USO: OPTICAS.

FR11

EMERGENCY STEERING SYSTEM
SISTEMA EMERGENZA STERZO
SYSTEME DE DIRECTION DE SECOURS
NOTLENKUNGSSYSTEM
SISTEMA DIRECCION DE EMERGENCIA

D211/1



T-84163

ITEM PART NO. QTY. LEX. DESCRIPTION

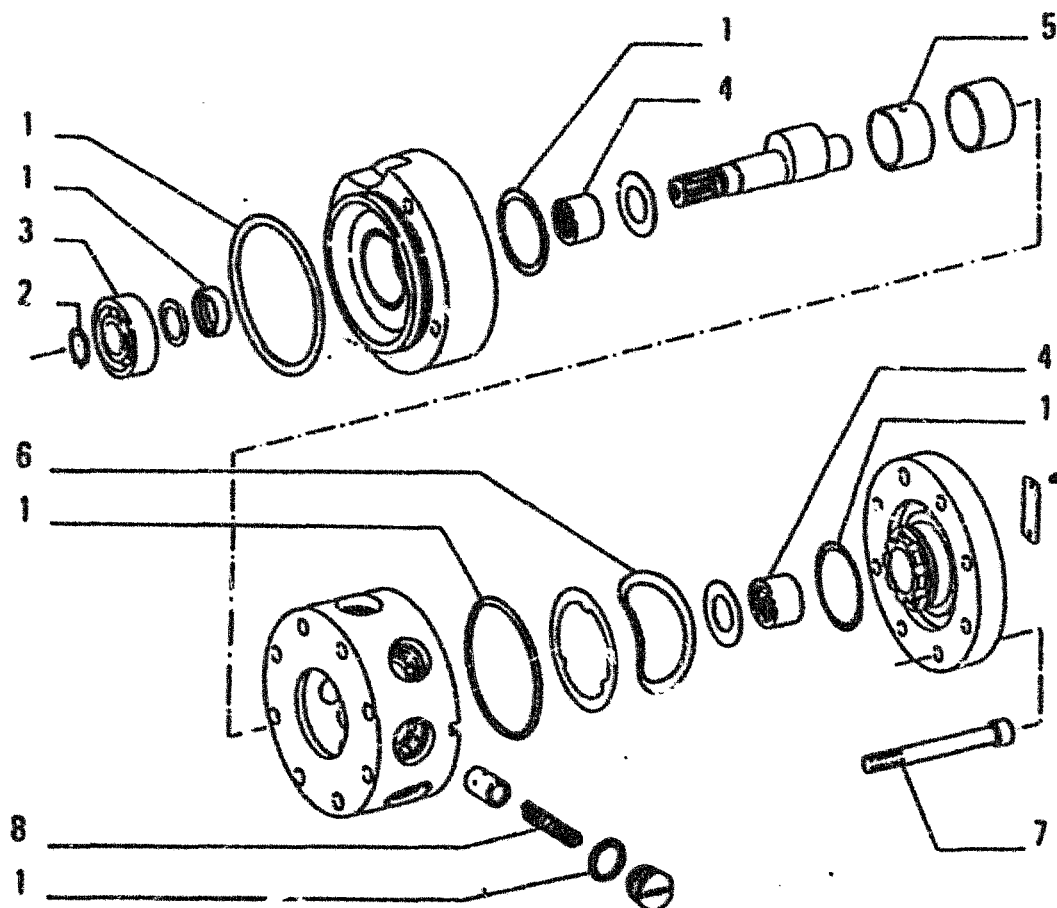
ITEM	PART NO.	QTY.	LEX.	DESCRIPTION
-	73134882	1	155P	PUMP
			600L	INCL. ITEMS 1-6
1	73135055	1	155F	PUMP, (D211/3)
2	-----	1	55A	O-RING (B105(6))
3	-----	1	50I	GEAR (B105(6))
4	-----	1	56A	RING, RETAINING (B105(6))
5	-----	3	40V	CAPSCREW (B105(6))
			601K	NOT ILLUSTRATED
6	-----	4	210P	STUD (B105(6))
	-----	4	10D	NUT (B105(6))

FR11

EMERGENCY STEERING SYSTEM
PUMP

D211/2

REVISED NOVEMBER 1990



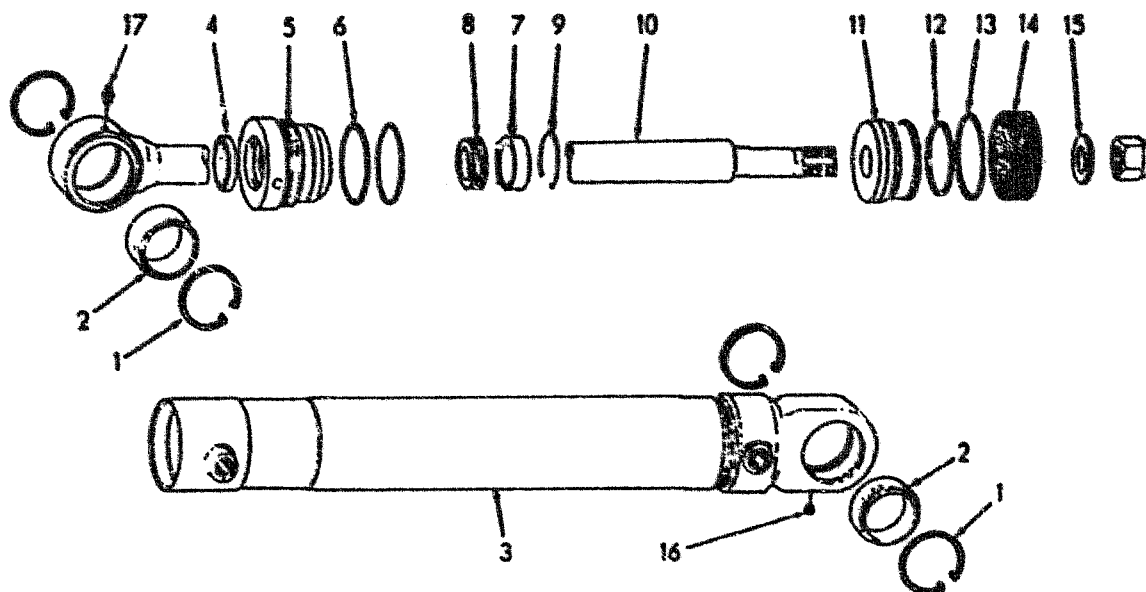
ITEM	PART NO.	QTY.	CODE	DESCRIPTION	DENOMINAZIONE
-	73135055	1	161P	PUMP, HYDRAULIC 600L INCLUDES ITEMS 1-8	POMPA IDRAULICA INCLUDE PARTIC.(11)
1	79087043	1	129S	KIT	SERIE
2	11066876	1	56A	RING, RETAINING	ANELLO DI RITEGNO
3	79072574	1	340C	BEARING	CUSCINETTO
4	79072575	2	340C	BEARING	CUSCINETTO
5	79072576	1	95B	BUSHING	BICCOLA
6	79072577	1	131R	WASHER	ROSETTA
7	14308774	4	40V	CAPSCREW	VITE
8	79072578	8	100H	SPRING	MOLLA

FR11

EMERGENCY STEERING SYSTEM PUMP
 STERZO-SISTEMA EMERGENZA PUMPA
 POMPE DU SYSTEM DE LA DIRECTION DE SECOURS
 NOTLENKUNGSSYSTEM PUMPE
 BOMBA DEL DIRECCION DE EMERGENCIA

0211/3

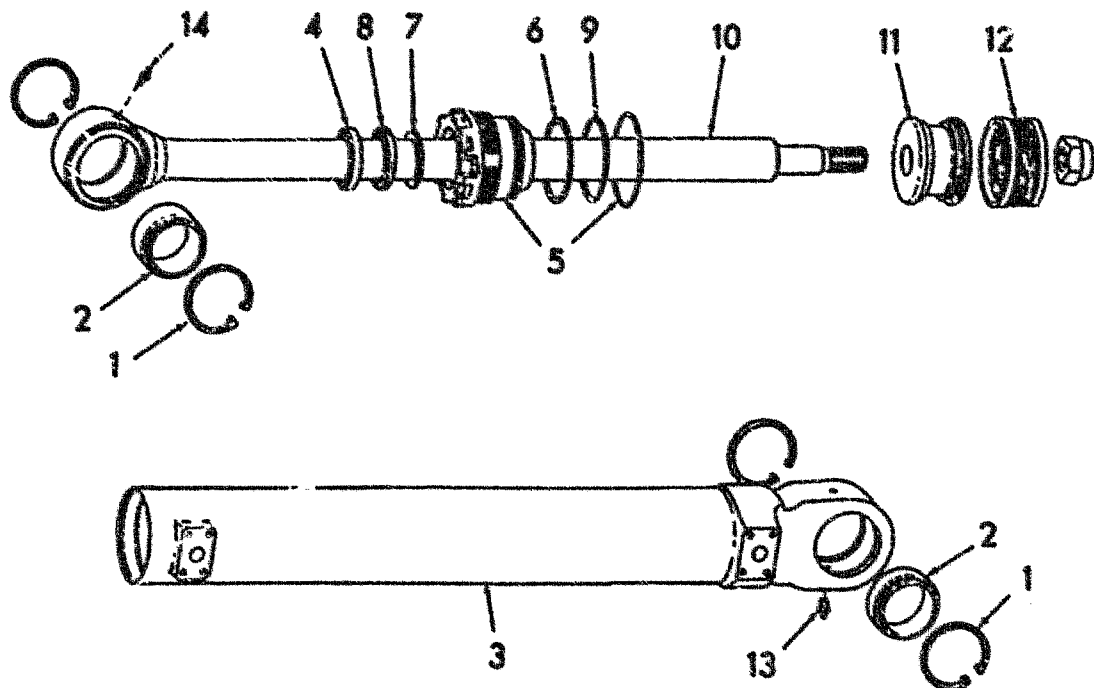
ADDED OCTOBER 1990



ITEM	PART NO.	QTY.	CODE	DESCRIPTION	DENOMINAZIONE
-	73071913	1	164C	CYLINDER	CILINDRO
			600L	INCLUDES ITEM(S)11-15	INCLUDE PARTIC.(1)
1	70925996	2	56A	RING, RETAINING	ANELLO DI RITEGNO
2	70928851	1	95B	BUSHING	BOCCOLA
3	73071915	1	206T	TUBE	TUBO
			600L	INCLUDES ITEM(S)1,2	INCLUDE PARTIC.(1)
4	73055116	1	133R	SEAL	GUARNIZIONE TENUTA
5	73362971	1	113T	HEAD, CYLINDER	TESTA DEI CILINDRI
	70924158	1	55A	O-RING	ANELLO DI TENUTA
6	73063363	1	45A	RING	ANELLO
7	73063066	1	95B	BUSHING	BOCCOLA
8	73070372	1	133R	SEAL	GUARNIZIONE TENUTA
9	70927699	1	45A	RING	ANELLO
10	73071914	1	90A	ROD	ASTA
			600L	INCLUDES ITEM(S)1,2	INCLUDE PARTIC.(1)
	73073273	1	257C	LOCKNUT, 7/8"NF	CONTRORODDO
11	73058665	1	235S	PISTON	STANTUFFO
12	70928874	1	45A	RING	ANELLO
			600E	INNER	INTERNO
13	73058666	1	45A	RING	ANELLO
			600F	OUTER	ESTERNO
14	73058667	1	45A	RING	ANELLO
15	70931478	1	131R	WASHER	ROSETTA
16	70910231	1	50T	PLUG, 1/8"NPT	TAPPO
17	70914465	1	60I	FITTING, LUBRICATION 1/8"NPT	INGRASSATORE
18	73064517	-	500I	REPAIR KIT	CORREDO DI RIPAR.
			600L	INCLUDES ITEM(S) 4-6,8,12-14	INCLUDE PARTIC.(1)

USAGE: Units prior to 530350

FR11	STEERING CYLINDER ASSEMBLY CILINDRI STERZO VERINS DE DIRECTI LENKZYLINDER CILINDROS DE DIRECCION	D212	2
		REVISED OCTOBER 1990	



ITEM PART NO. QTY. LEX. DESCRIPTION

-	79094550	1	164C	CYLINDER
			600L	INCLUDES ITEM(S) 1-15
1	70925996	2	56A	RING, RETAINING
2	70928851	1	95B	BUSHING
3	73134649	1	206T	TUBE
			600L	INCLUDES ITEM(S) 1, 2
4	79065553	1	133R	SEAL
5	79093692	1	113T	HEAD, CYLINDER
	14460380	1	55A	O-RING
6	79086120	1	45A	RING
7	79065552	1	45A	RING
8	79CS5551	1	133R	SEAL
9	14464680	1	55A	O-RING
10	73134638	1	90A	ROD
			600L	INCLUDES ITEM(S) 1, 2
	12576121	1	257C	LOCKNUT, 7/8"NF
11	73134645	1	235S	PISTON
12	73136155	1	45A	RING
13	70910231	1	50T	PLUG, 1/8"NPT
14	70914465	1	60I	FITTING, LUBRICATION 1/8"NPT

T-70738

USAGE: UNITS NO. 530350 AND UP

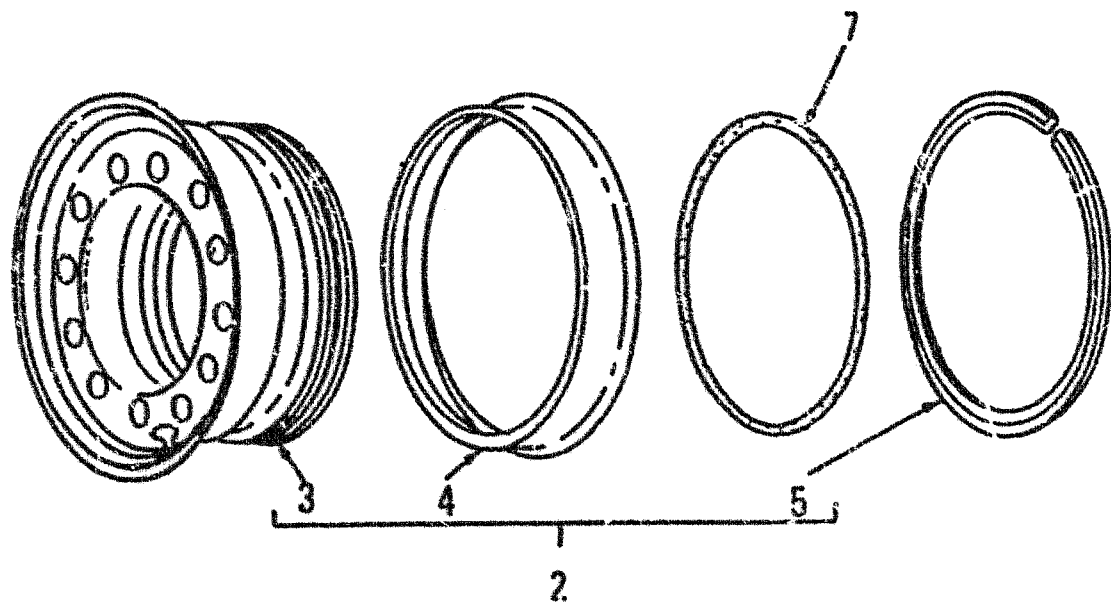
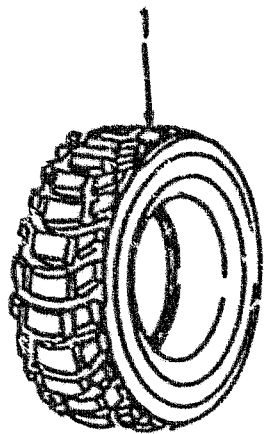
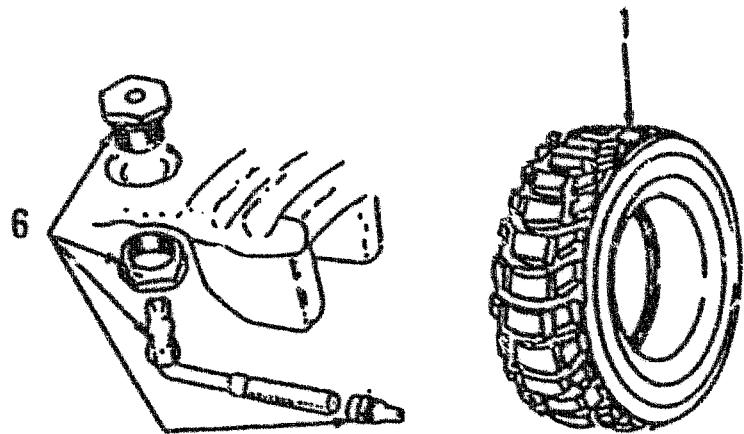
FR11

STEERING CYLINDER ASSEMBLY

D212

2A

ADDED NOVEMBER 1990



ITEM PART NO. QTY. LEX. DESCRIPTION

ITEM	PART NO.	QTY.	LEX.	DESCRIPTION
1	-----	-	147P	TIRE (20.5X25)16 PLY-L2
	-----	-	147P	TIRE (20.5X25) 16 PLY-L3
	-----	-	147P	TIRE (20.5X25) RADIAL TRACTION
	-----	-	147P	TIRE (20.5X25)12 PLY L-2
2	7 009234	1	135C	RIM (17X25-16 STUDS)
			600L	INCLUDES ITEM(S) 3-5
3	76009235	1	160R	WHEEL
4	76008016	1	70F	FLANGE
5	76008015	1	51A	LOCKRING
6	79040417	1	10V	VALVE
				OR
	73052021	1	10V	VALVE
7	73038765	1	55A	O-RING

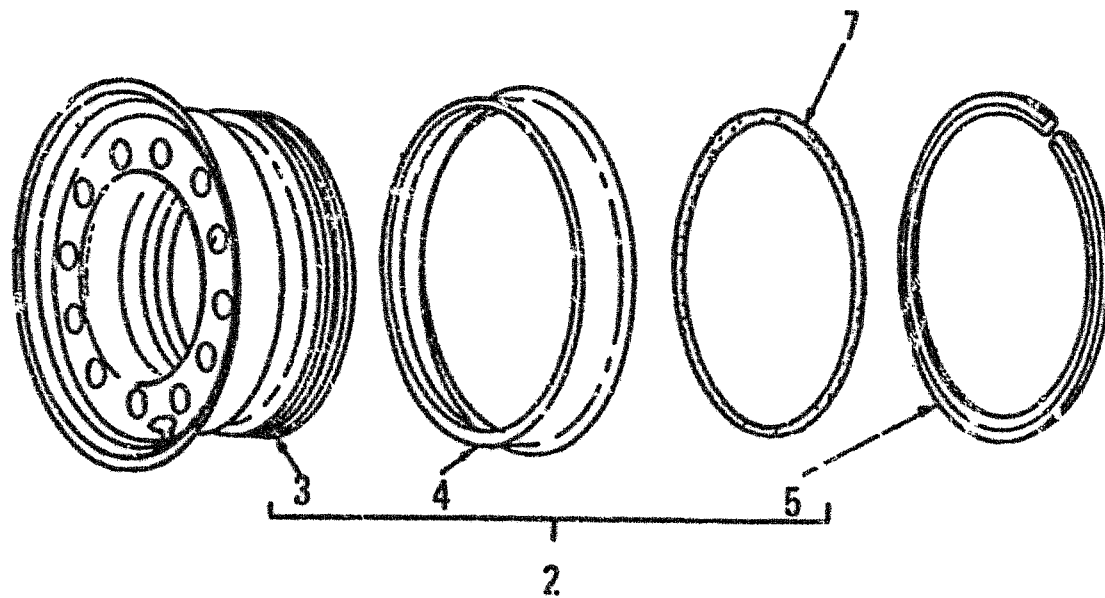
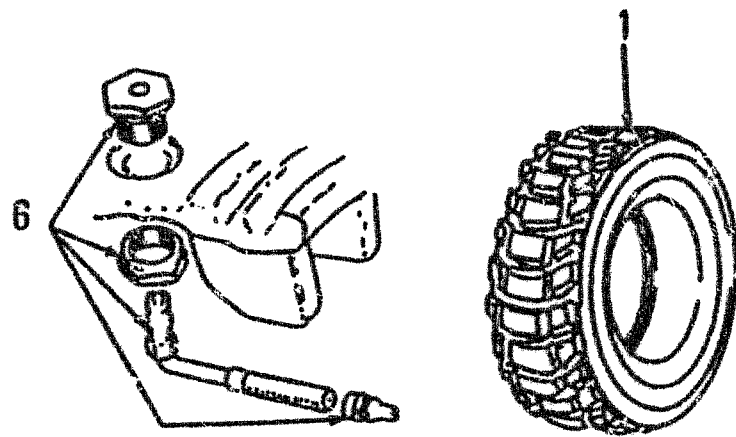
FR11

TIRE & WHEEL

D316

1

REVISED NOVEMBER 1990



ITEM PART NO. QTY. LEX. DESCRIPTION

1	-	147P	TIRE (17.5X25) 12 PLY-L3
	-	147P	TIRE (17.5RX25 RL-ZF)
	-	147P	TIRE (17.5RX25 X GLAT*)
	-	147P	TIRE (17.5X25XRZTA*)
	-	147P	TIRE (17.5X25 16 PLY L-3)
	-	147P	TIRE (17.5X25 16 PLY L-2)
	-	147P	TIRE (17.5X25 X KAT**L-3)
2	a.76007080	1	135C	RIM (14 X 25 - 12 STUD)
			600L	INCLUDES ITEM(S) 3-5
				OR
	b.76007094	1	135C	RIM (14 X 25 - 16 STUD)
			600L	INCLUDES ITEM(S)3-5
3	a.76007081	1	160R	WHEEL
				OR
	b.76007095	1	160R	WHEEL
4	a.70739627	1	70F	FLANGE
				OR
	b.79040899	1	70F	FLANGE
5	a.70739628	1	51A	LOCKRING
				OR
	b.79040893	1	51A	LOCKRING
6	73075809	1	10V	VALVE
				OR
	79040941	1	10V	VALVE
7	73038765	1	55A	O-RING

a. STEEL STAMPING LTD.
b. GIANETTI

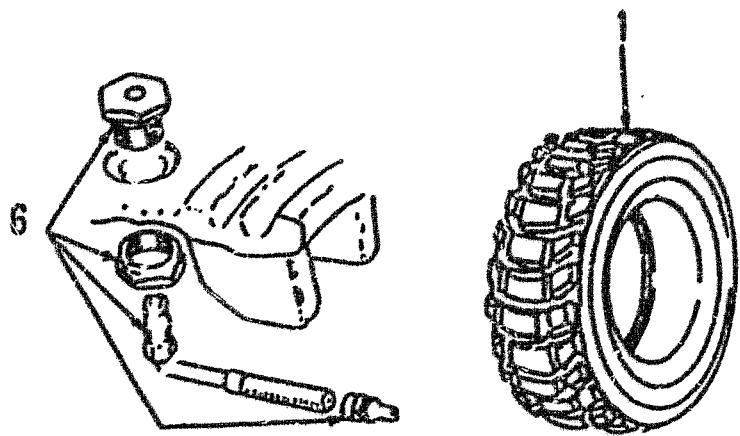
FR11

TIRE & WHEEL

D316

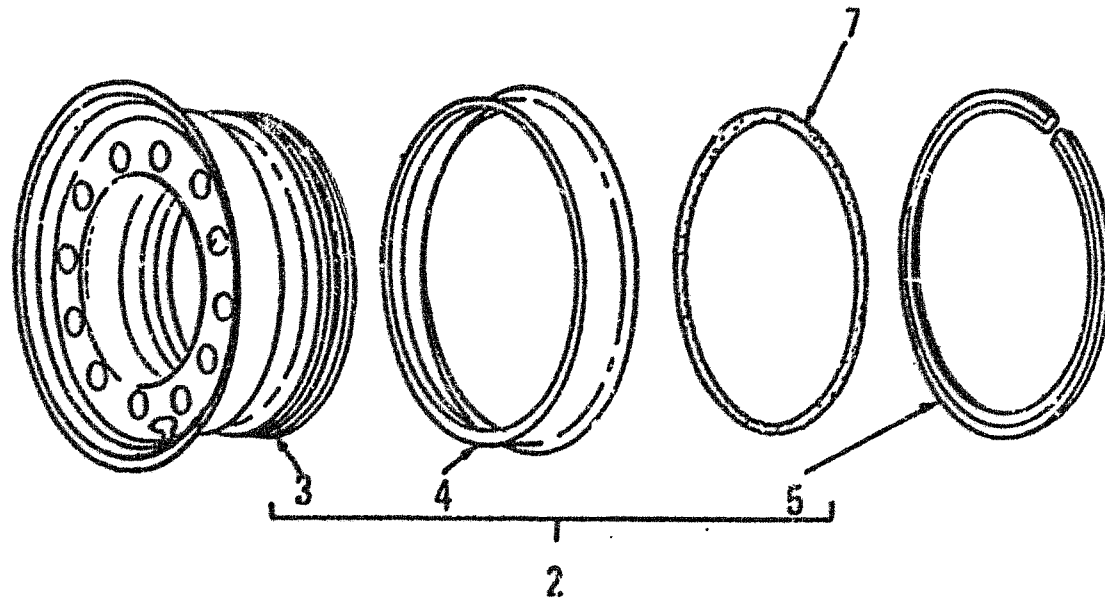
2

REVISED NOVEMBER 1930



ITEM PART NO. QTY. LEX. DESCRIPTION

ITEM	PART NO.	QTY.	LEX.	DESCRIPTION
1	-----	-	147P	TIRE (17.5X25XMINE D2)
2	76007086	1	135C 600L	RIM (14X25 - 15 STUD) INCLUDES ITEM(S) 3-5
3	76007087	1	160R	WHEEL
4	70739627	1	70F	FLANGE
5	70739628	1	51A	LOCKRING
6	73052021	1	10V	VALVE
7	73038765	1	55A	O-RING



USAGE: UNITS EQUIPPED FOR SCRAP YARD OPERATIONS.

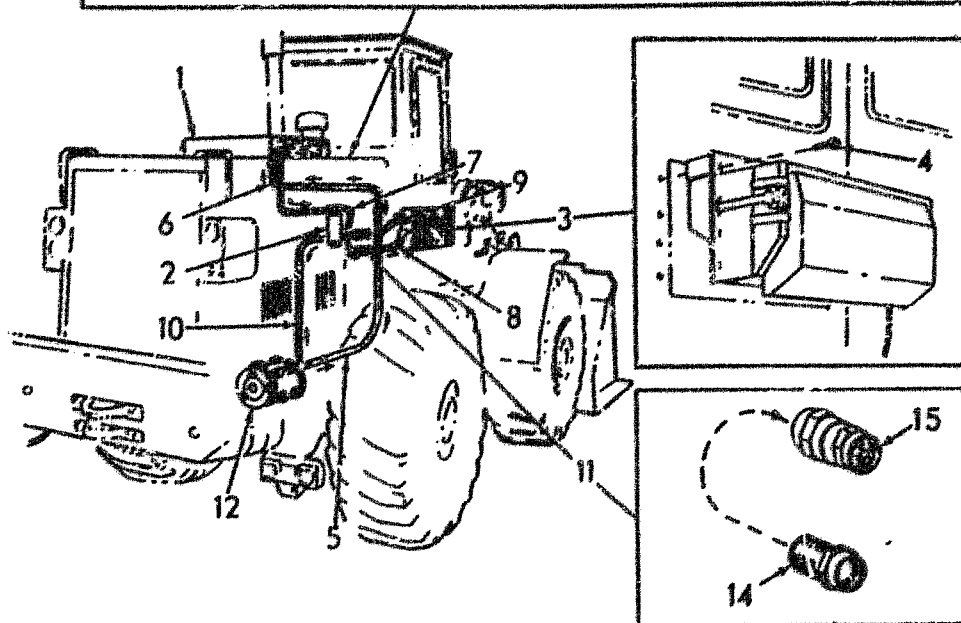
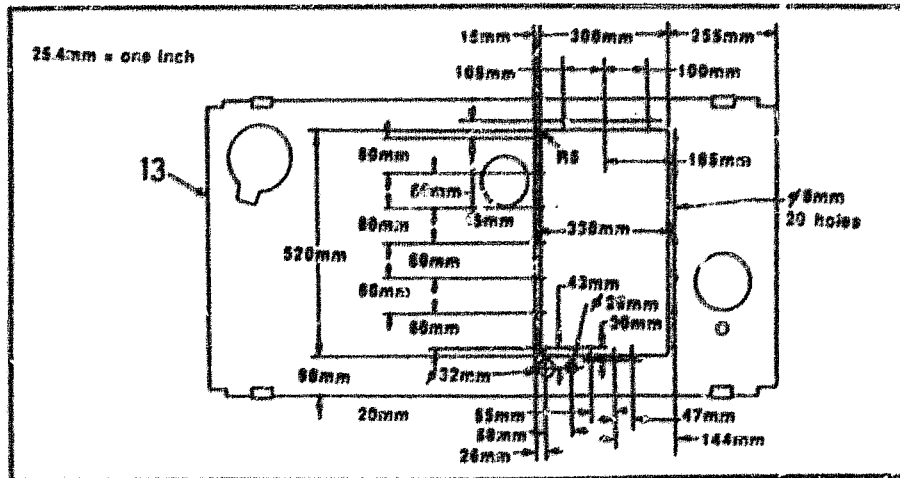
FR11

TIRE & WHEEL

D316

3

REVISED NOVEMBER 1990



ITEM	PART NO.	QTY.	CODE	DESCRIPTION	BENOMINAZIONE
1	-----	1	220C	CONDENSER(E101/1(4A))	CONDENSATORE
2	-----	1	502E	DRYER(E101/1(3A))	ESSICCATORE
3	-----	1	64E	EVAPORATOR(E101/1(5A))	EVAPORATORE
4	14309334	8	40V	CAPSCREK	VITE
5	79091948	1	192T	HOSE	TUBO FLESSIBILE
6	78091947	1	192T	HOSE	TUBO FLESSIBILE
7	78091948	1	192T	HOSE	TUBO FLESSIBILE
8	78091945	1	192T	HOSE	TUBO FLESSIBILE
9	78091944	1	192T	HOSE	TUBO FLESSIBILE
10	78091943	1	192T	HOSE	TUBO FLESSIBILE
11	-----	1	67G	COUPLING ASSY.	GIUNTO
12	-----	1	216C	COMPRESSOR(G101(2))	COMPRESSORE
13	70739372	1	177C	HOOD	COFANO
REWORK AS SHOWN					
14	79087009	1	67G	COUPLING	GIUNTO
15	79087010	1	67G	COUPLING	GIUNTO

FR11

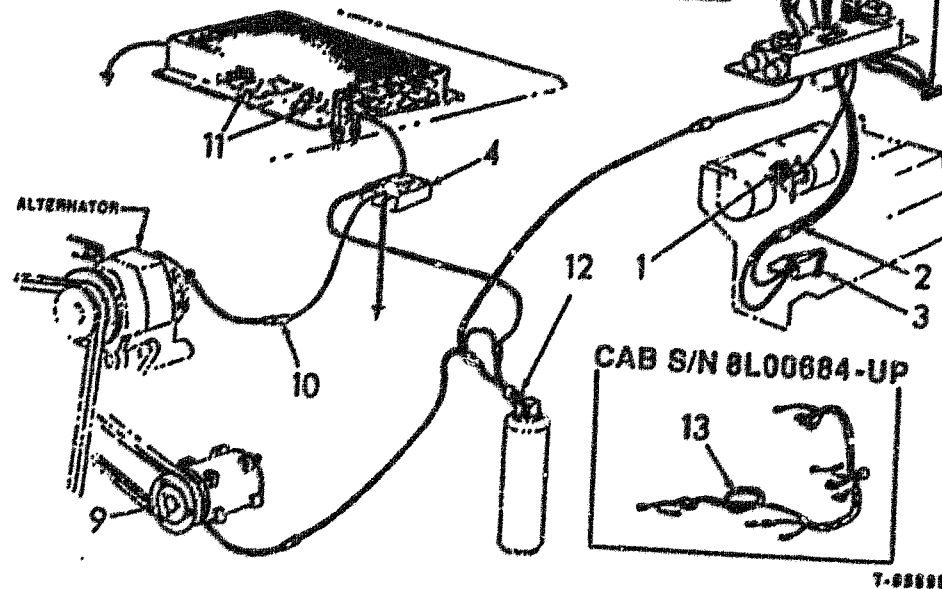
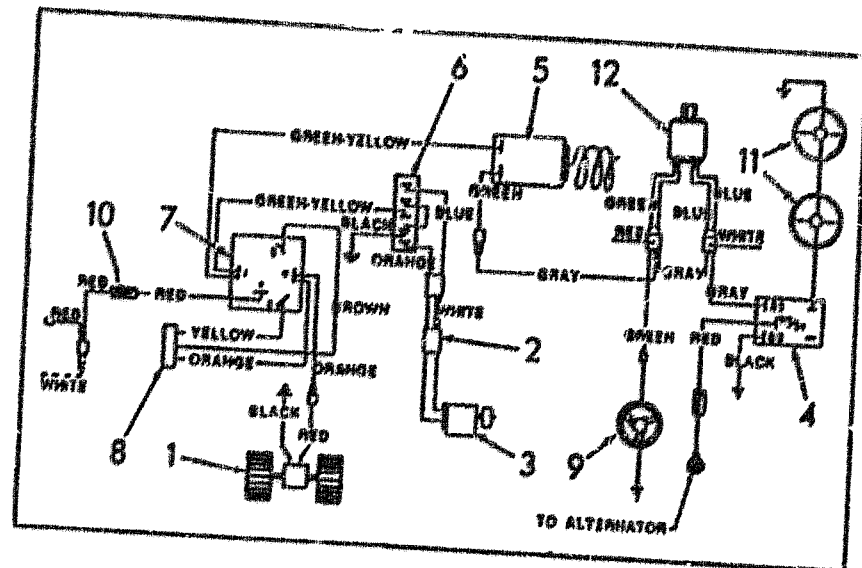
AIR CONDITIONING MOUNTING & LINES
 SUPPORTO CONDIZIONATORE ARIA E TUBAZIONI
 SUPPORT ET CONDUITES DU CLIMATISEUR
 LUFTKUEHLUNGSEINBAU UND -LEITUNGEN
 SUPORTE Y TUBERIAS DEL ACONDICIONAMIENTO DE AIRE

E101/1

1A

REVISED OCTOBER 1990

E101/1(2A)



ITEM	PART NO.	QTY.	CODE	DESCRIPTION	DEMINIAZIONE
1	-----	1	134M	MOTOR(E101/1(5A))	MOTORE
2	73152364	1	39R	RESISTOR	RESISTORE
3	79086957	1	1B	ACTUATOR	ACTUATOR
4	79086482	1	85T	RELAY	TELERUTTORE
5	-----	1	96T	THERMOSTAT(E101/1(5A))	TERMOSTATO
6	-----	1	75I	SWITCH(E101/1(5A))	INTERRUPTORE
7	-----	1	75I	SWITCH(E102/1A)	INTERRUPTORE
8	79087109	1	39R	RESISTOR	RESISTORE
9	-----	1	95F	CLUTCH, COMPRESSOR (0101(2))	FRIZIONE
10	-----	2	110F	FUSE	FUSIBILE
11	-----	2	30V	FAN, CONDENSOR(E101(4A))	VENTILATORE
12	-----	1	75I	SWITCH, PRESSURE (E101/1(3A))	INTERRUPTORE
13	79108986	1	20I	CABLE, HARNESS, INSIDE, OUTSIDE AIR CONTROL	

FR11

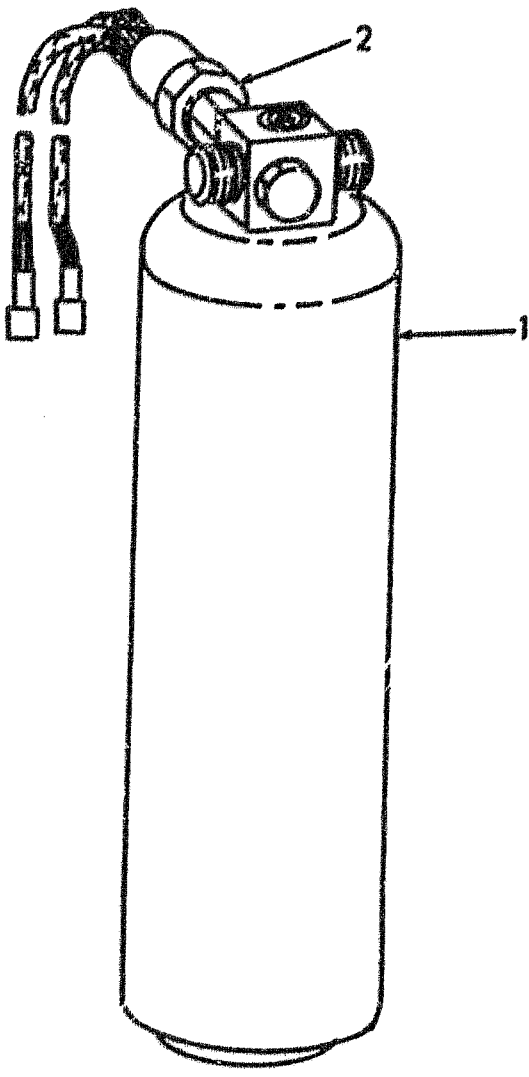
AIR CONDITIONING ELECTRICAL SYSTEM

E101/1

2A

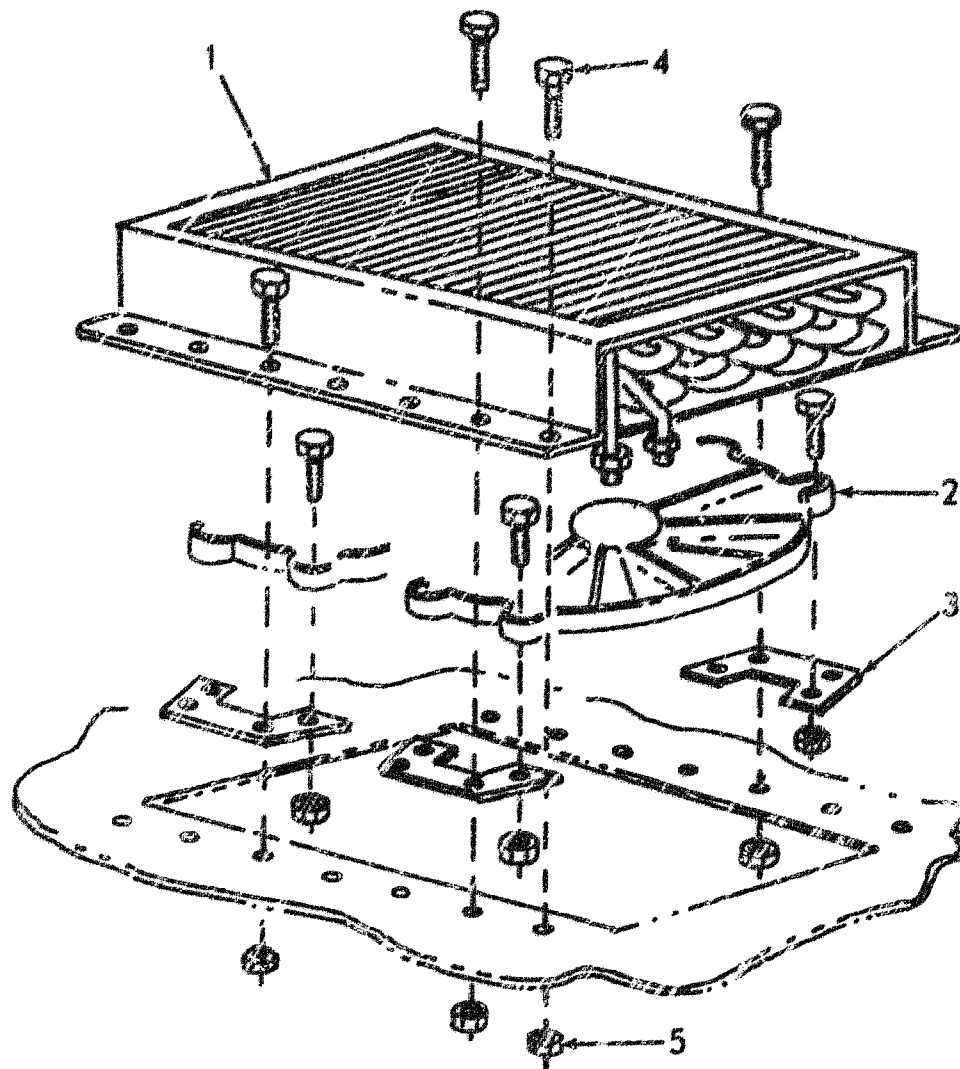
REVISED OCTOBER 1990

E101/1(3A)



ITEM	PART NO.	QTY.	CODE	DESCRIPTION	DEINOMIAZIONE
-	79087011	1	502E	DRYER ASSY.	ESSICATORE
			600L	INCLUDES ITEMS 1,2	INCLUDE PARTIC.(1)
1	79091983	1	502E	DRYER	ESSICATORE
2	79091984	1	751	SWITCH, PRESSURE	INTERRUTTORE

FR11	DRYER ASSEMBLY	E101/1	3A
		REVISED OCTOBER 1990	



T-85698

ITEM PART NO. QTY. LEX. DESCRIPTION

ITEM	PART NO.	QTY.	LEX.	DESCRIPTION
1	79086949	1	220C	CONDENSER ASSY.
2	79086954	2	36V	BLOWER
3	79086951	4	80M	BRACKET
4	10902434	20	40V	CAPSCREW, M6 X 20
5	12574221	17	10D	NUT, M6
6	79086950	1	*29S	KIT, BLADE

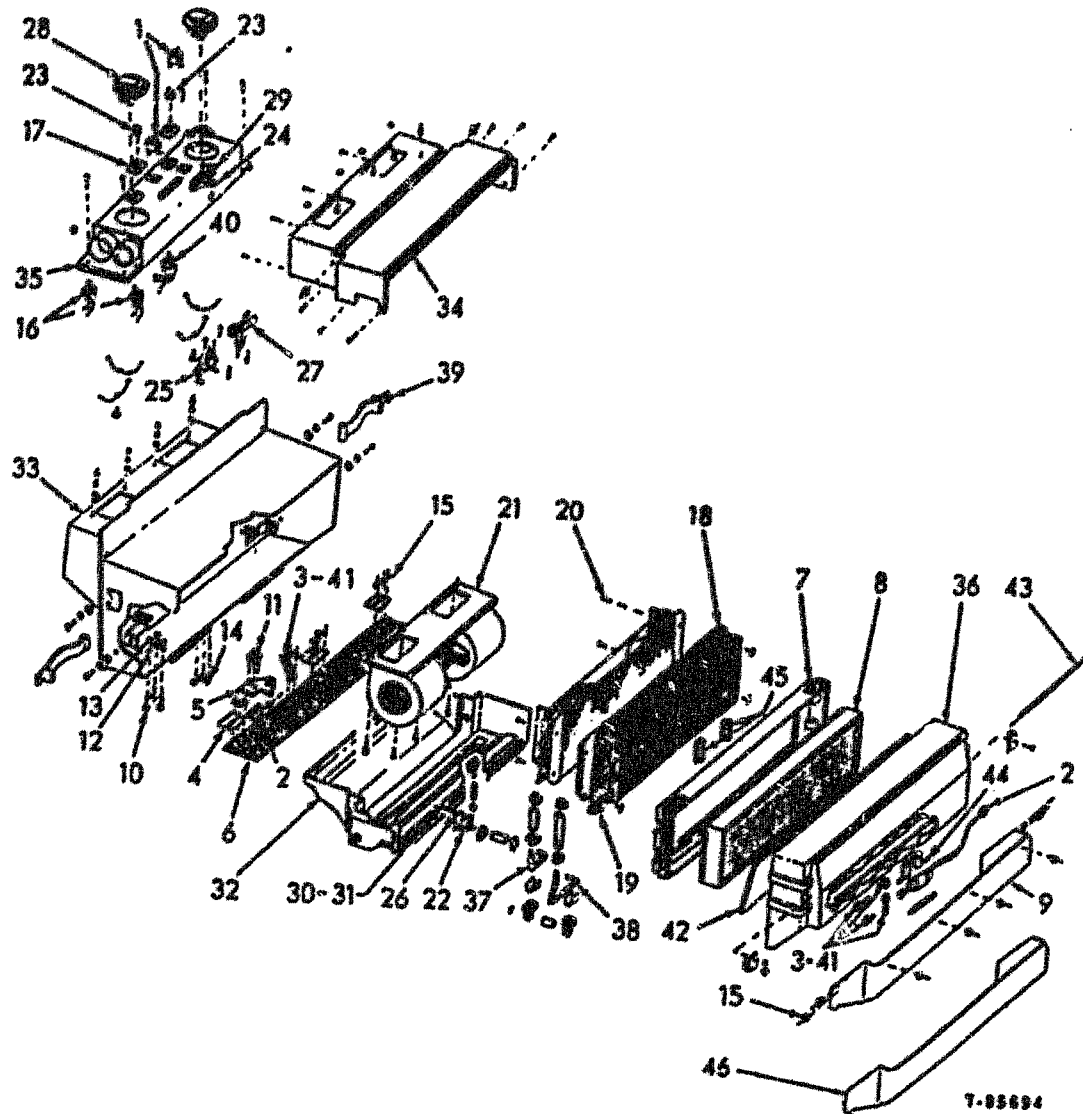
FR11

CONDENSER & MOUNTING

E101/1

4A

REVISED NOVEMBER 1990



ITEM PART NO. QTY. LEX. DESCRIPTION

1	79086956	2	75I	SWITCH
2	79086957	2	1B	ACTUATOR
3	79086958	2	312C	RACK
	79086959	2	312C	RACK, FOOT
	79086960	2	312C	RACK, CLOSING
	79086961	2	80P	PIN, RACK
4	79086962	3	140C	HINGE
5	79086963	1	80M	BRACKET
6	79086964	1	180P	DOOR
7	79086965	1	265C	COVER
			602C	PRIOR TO CAB S/N 8L00684
	79108889	1	265C	COVER
			602D	CAB S/N 8L00684 AND UP
8	79079548	1	65F	FILTER
9	75127082	1	265C	COVER
			602C	PRIOR TO CAB S/N 8L00684
	79108886	1	265C	COVER
			602D	CAB S/N 8L00684 AND UP
10	10341911	9	40V	CAPSCREW, M4 X 12
11	10977521	3	40V	CAPSCREW, M5 X 10
12	14496201	9	131R	WASHER
13	12574011	9	10D	NUT, M4
14	12574111	3	10D	NUT, M5
15	79086972	27	55R	RIVET, M2.9 X 8
16	79086973	2	96T	THERMOSTAT
17	79086974	2	8D	DECAL, "TEMP."
18	79086975	1	83B	COIL, EVAPORATOR
			602C	PRIOR TO CAB S/N 8L00684
	79108890	1	83B	COIL, EVAPORATOR
			602D	CAB S/N 8L00684 AND UP
19	79086976	1	10V	VALVE

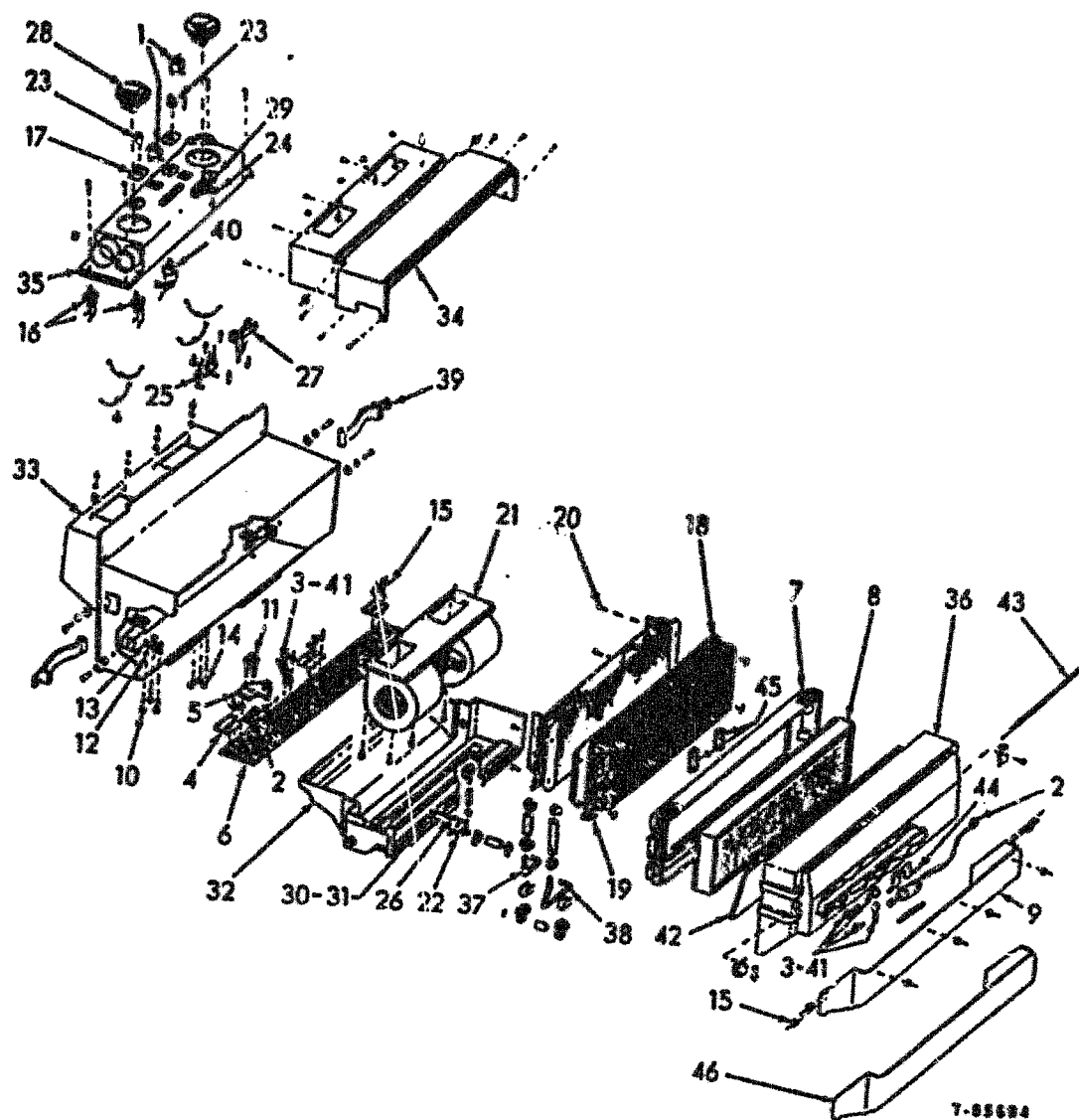
FR11

EVAPORATOR & LINES

E101/1

5A

REVISED OCTOBER 1990



ITEM PART NO. QTY. LEX. DESCRIPTION

ITEM	PART NO.	QTY.	LEX.	DESCRIPTION
20	15642501	4	42V	SCREW
21	79079544	1	36Y	BLOWER
22	79089649	1	10V	VALVE
23	79086351	2	150P	KNOB
24	79076389	1	45L	LEVER
25	79083997	1	39R	RESISTOR
26	79038002	1	89G	CLIP
27	75127121	1	80M	BRACKET
28	75127118	2	91P	LOUVERS
29	75127119	1	115G	GUARD
30	79089648	1	105F	CABLE
31	79089647	1	140G	SHEATH
32	79092763	1	265C	COVER
33	79092746	1	37S	BOX
34	79092762	1	265C	COVER
35	79072747	1	265C	COVER
36	75127082	1	265C	COVER
37	79092750	1	206T	TUBE
38	79092751	1	206T	TUBE
39	79108024	2	14B	STRAP
40	79079424	1	75I	SWITCH
41	79087455	1	312C	RACK ASSY
			600L	INCL. ITEM 3
42	79106888	1	265C	COVER
			602D	CAB S/N 8L00684 AND UP
43	79108887	1	80P	PIN
			602D	CAB S/N 8L00684 AND UP
44	79108885	1	80M	BRACKET
			602D	CAB S/N 8L00684 AND UP
45	79093685	1	192T	HOSE
			602D	CAB S/N 8L0684 AND UP
46	79108891	1	265C	COVER
			602D	CAB S/N 8L00684 AND UP

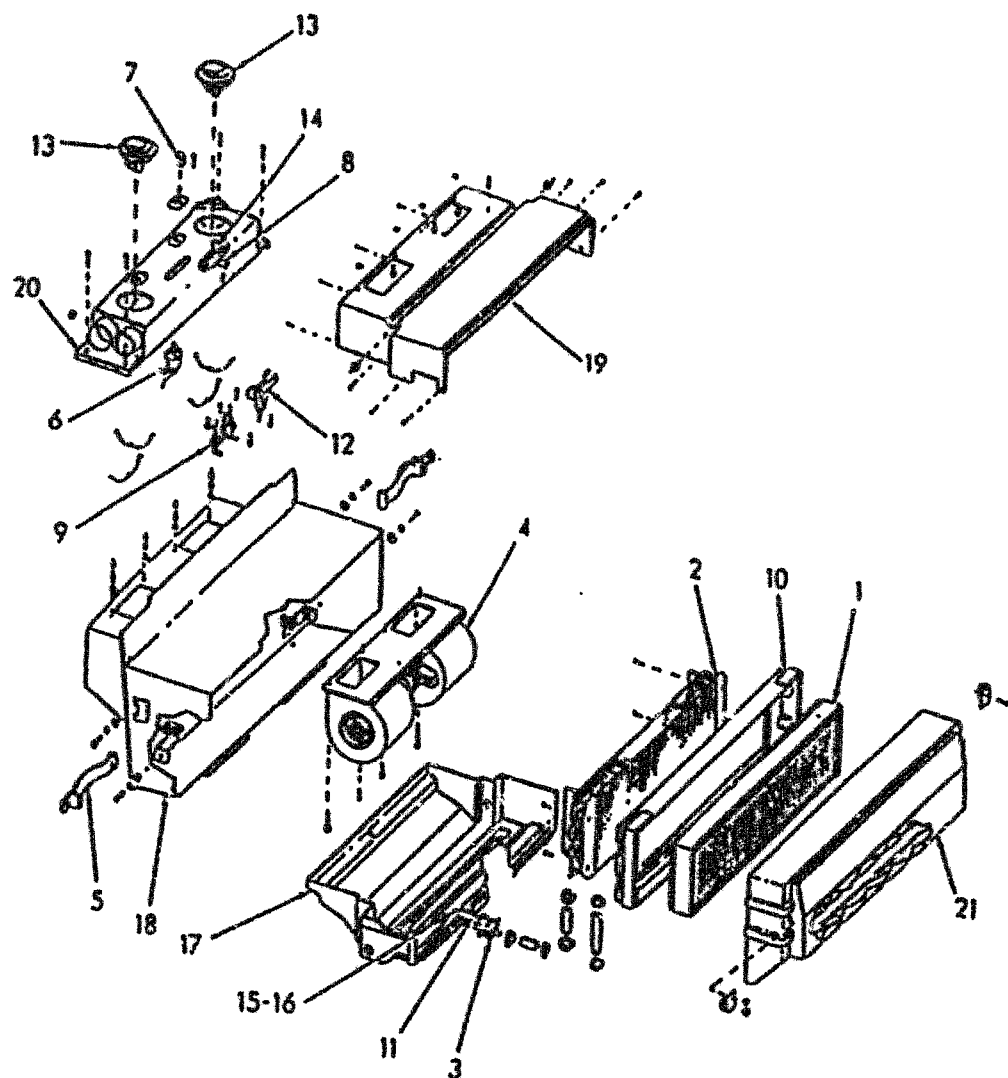
FR11

EVAPORATOR & LINES

E101/1

5A

REVISED OCTOBER 1990



T. 85636

ITEM	PART NO.	QTY.	CODE	DESCRIPTION	DENOMINAZIONE
-	79079534	1	105R	HEATER	RISCALDATORE
			600L	INCLUDES ITEMS 1-6	INCLUDE PARTIC.(1)
1	79079546	1	66F	AIR CLEANER	FILTRO ARIA
2	79092761	1	19R	RADIATOR	RADIATORE
3	79089649	1	10V	VALVE	VALVOLA
4	79079544	1	134H	MOTOR	MOTORE
5	79079543	1	22H	STRAP, SECURING	NASTRO DI FISSAGGIO
6	79079424	1	189C	CONTROL	COMANDO
7	79086351	1	150P	KNOB	POHELLO
8	79076389	1	45L	LEVER	LEVA
9	79083997	1	39R	RESISTOR	RESISTORE
10	79086965	1	265C	COVER	COPERCHIO
11	79038002	1	89D	CLIP	GRAFFETTA
12	75127121	1	804	BRACKET	MENSOLA
13	75127118	2	91P	LOUVERS	PERSIANA
14	75127119	1	115G	GUARD	PROTEZIONE
15	79089648	1	105F	CABLE	FUNE
16	79089647	1	1403	SHEATH	GUAINA
17	79092763	1	265C	COVER	COPERCHIO
18	79072746	1	378	BOX	SCATOLA
19	79072762	1	265C	COVER	COPERCHIO
20	79092747	1	265C	COVER	COPERCHIO
21	75127604	1	265C	COVER	COPERCHIO

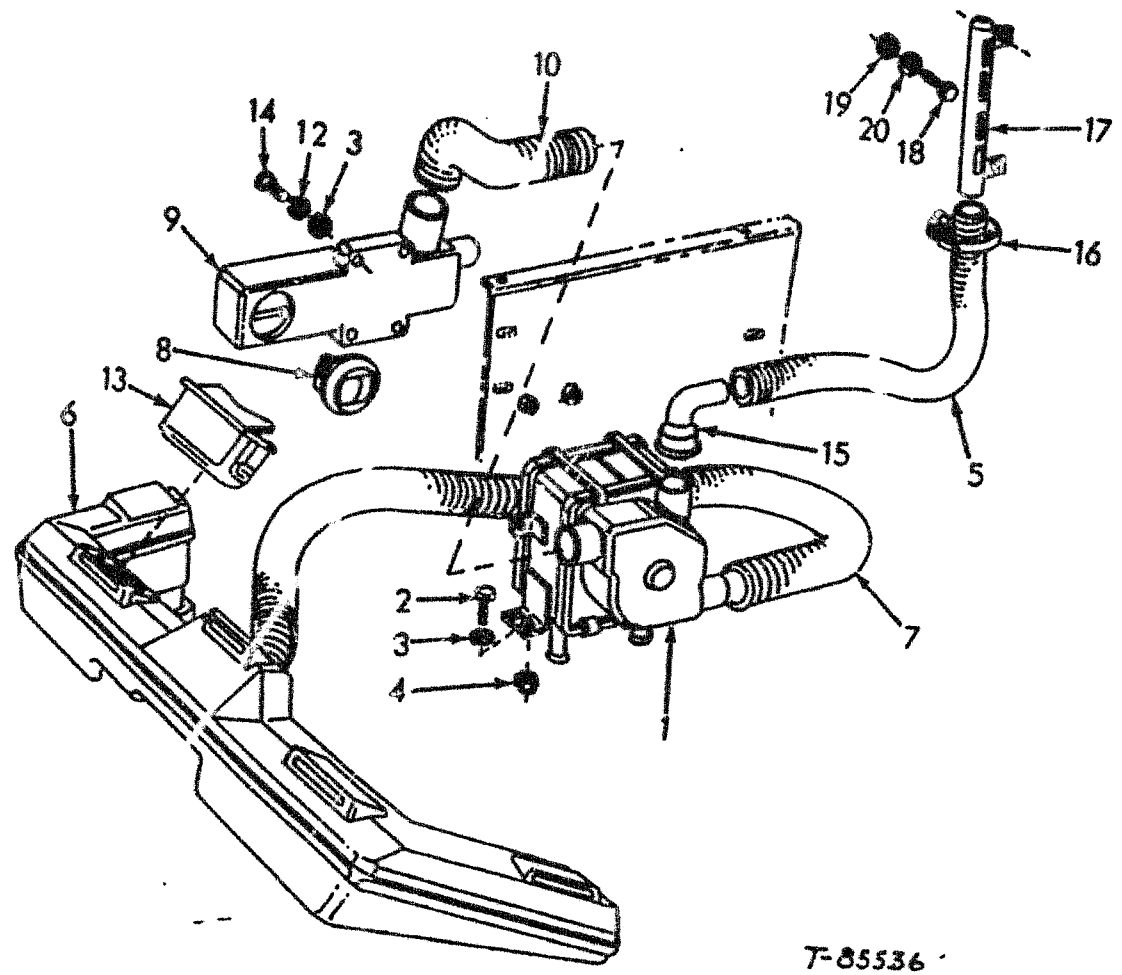
FR11

CAB HEATER

E102/1A

REVISED OCTOBER 1990

E10811

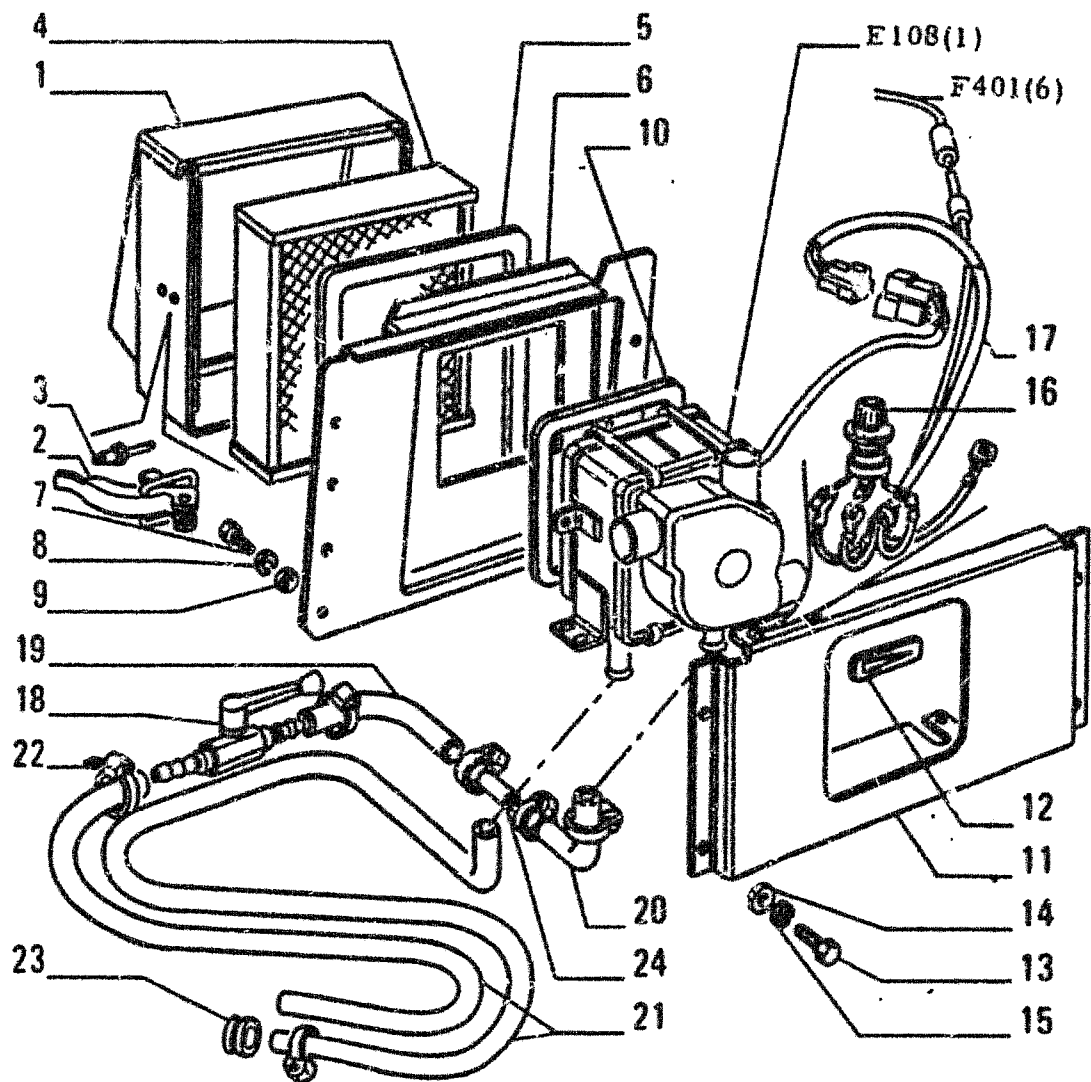


T-85536

ITEM	PART NO.	QTY.	CODE	DESCRIPTION	DENOMINAZIONE
1	45020921	1	105R	HEATER	RISCALDATORE
2	10902421	4	40V	CAPSCREW, 6X1X20	VITE
3	10519401	12	131R	WASHER, 6.15X12	ROSETTA
4	12574211	4	10D	NUT, 6X1X7.8	DADO
5	76008317	1	192T	HOSE	TUBO FLESSIBILE
6	76011586	1	79F	SHROUD	FODERA
7	76013001	1	192T	HOSE	TUBO FLESSIBILE
8	79044797	3	45D	DIFFUSER	DIFFUSORE
9	79050763	1	79F	SHROUD	FODERA
10	79045175	1	192T	HOSE	TUBO FLESSIBILE
12	10571579	4	132R	LOCKWASHER, 6.1X1.6	ROSETTA DI SICUREZZA
13	79045197	1	183P	ASH TRAY	PORTACENERE
14	10903211	4	40V	CAPSCREW, 6X1X40	VITE
15	76008314	1	30M	SLEEVE, FLEXIBLE	MANICOTTO FLESSIBILE
16	12174090	1	31F	STRAP, BINDING	FASCETTA
17	79050764	1	206T	TUBE	TUBO
18	16043931	2	40V	CAPSCREW, 8X1.25X35	VITE
19	10519601	2	131R	WASHER, 8.15X17	ROSETTA
20	10571979	2	132R	LOCKWASHER, 12.2X3.1	ROSETTA DI SICUREZZA

USAGE: F1R5" TYPE.

FR11	DEFROSTER FAN VENTILATORE-RISCALDAMENTO VENTILATEUR DE DEGIVRAGE ENTFROSTUNGSGEBLASE DESCONGELADOR (VENTILADOR)	E108	1
		Revised July 1986	



ITEM	PART NO.	QTY.	CODE	DESCRIPTION	DENOMINAZIONE
1	76008299	1	265C	COVER	COPERCHIO
2	79045185	2	99G	CLIP	GRAFFETTA
3	14641792	4	55R	RIVET	RIBATTINO
4	79045228	1	66F	AIR CLEANER	FILTRO ARIA
5	79045165	1	133R	SEAL	GUARNIZIONE TENUTA
6	76008306	1	300S	SUPPORT	SUPPORTO
7	10902231	8	40V	CAPSCREW	VITE
8	10571579	8	132R	LOCKWASHER	ROSETTA DI SICUREZZA
9	12643701	8	131R	WASHER	ROSETTA
10	76008228	1	133R	SEAL	GUARNIZIONE TENUTA
11	76008307	1	105P	PLATE	PIASTRA
12	79045184	1	8D	DECAL	DECALCOMANIA
13	16043631	4	40V	CAPSCREW	VITE
14	10519501	4	131R	WASHER	ROSETTA
15	10571779	4	132R	LOCKWASHER	ROSETTA DI SICUREZZA
16	79045226	1	75I	SWITCH	INTERRUTTORE
17	76008324	1	105F	CABLE	FUNE
18	79045183	1	150R	COCK	RUBINETTO
19	79045166	1	192T	HOSE	TUBO FLESSIBILE
20	76008316	1	85G	ELBOW	GOMITO
21	76008686	2	192T	HOSE	TUBO FLESSIBILE
22	12173690	6	120M	CLAMP	MORSETTO COLLARE
23	10397880	2	45A	RING	ANELLO
24	76008315	1	20R	FITTING	RACCORDO

USAGE: FIRST TYPE.

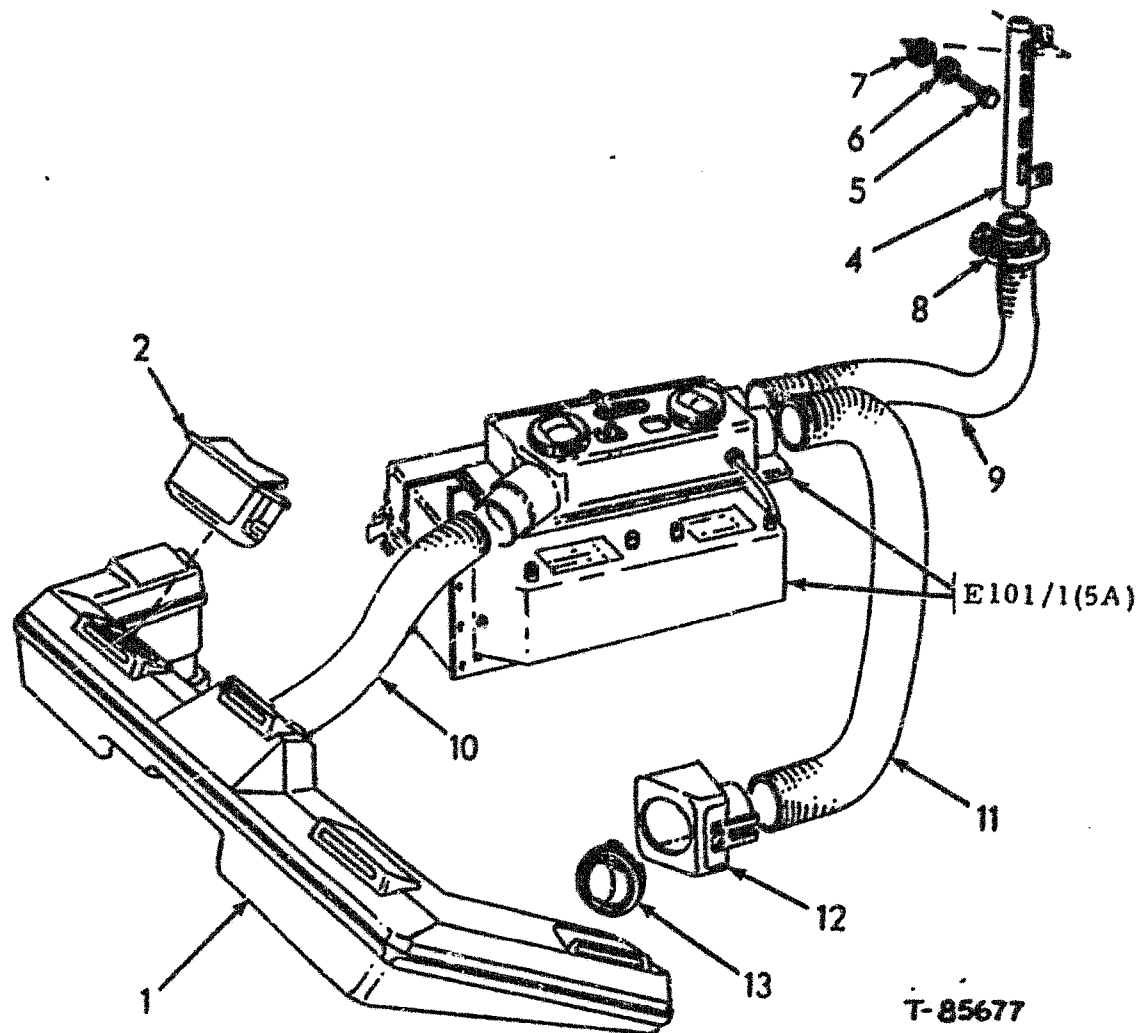
FR11

DEFROSTER FAN
 VENTILATORE-RISCALDAMENTO
 VENTILATEUR DE DEGIVRAGE
 ENTFROSTUNGSGEBLASE
 DESCONGELADOR (VENTILADOR)

E108 2

Revised July 1986

E108(3)



ITEM	PART NO.	QTY.	CODE	DESCRIPTION	DENOMINAZIONE
1	76011586	1	79F	SHROUD	FODERA
2	79045197	1	183P	ASH TRAY	PORTACENERE
4	79050764	1	206T	TUBE	TUBO
5	16043931	2	40V	CAPSCREW	VITE
6	10571779	2	132R	LOCKWASHER	ROSETTA DI SICUREZZA
7	14496501	2	131R	WASHER	ROSETTA
8	12174190	1	31F	STRAP, BINDING	FASCETTA
9	76014022	1	192T	HOSE	TUBO FLESSIBILE
10	76014080	1	192T	HOSE	TUBO FLESSIBILE
11	76014081	1	192T	HOSE	TUBO FLESSIBILE
12	76013374	1	79F	SHROUD	FODERA
13	79074797	3	450	DIFFUSER	DIFFUSORE

USAGE: SECOND TYPE

FR11

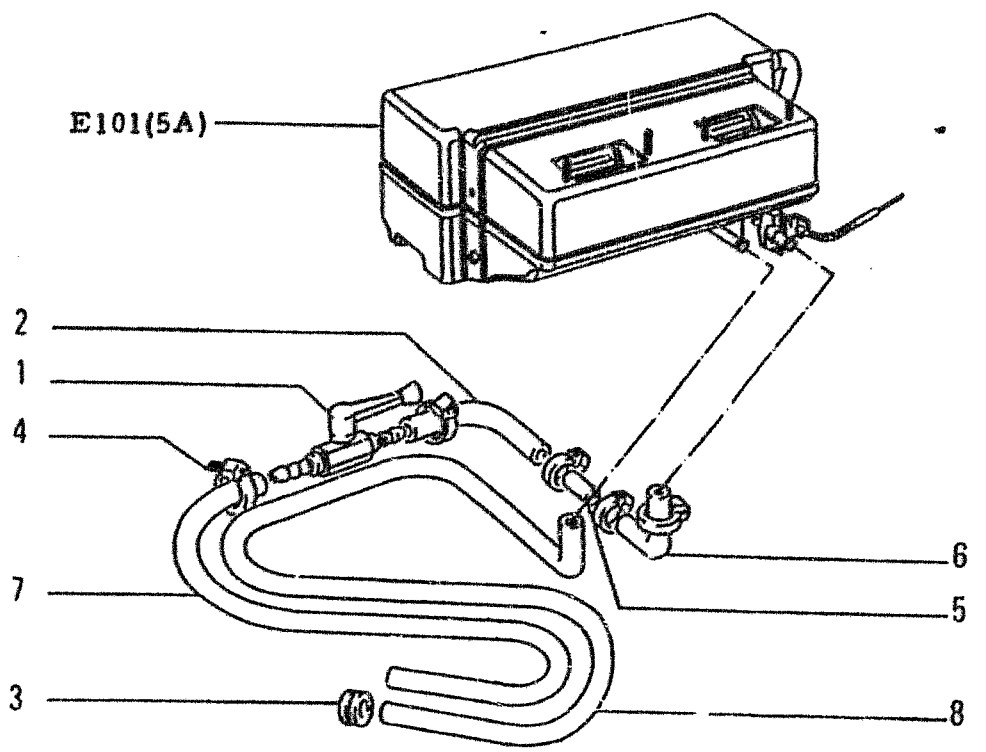
DEFROSTER FAN
 VENTILATORE-RISCALDAMENTO
 VENTILATEUR DE DEGIVRAGE
 ENTFROSTUNGSGEBLASE
 DESCONGELADOR (VENTILADOR)

E108

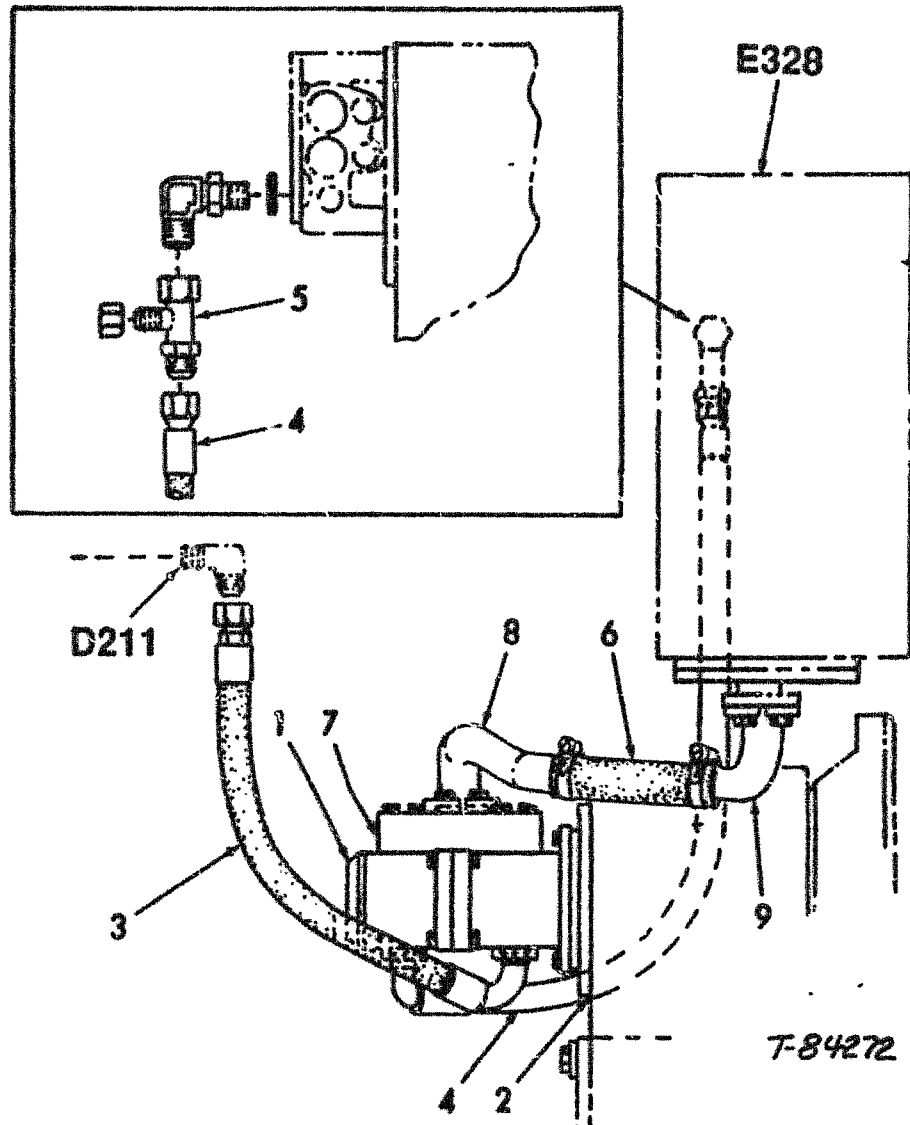
3

REVISED OCTOBER 1990

ITEM	PART NO.	QTY.	CODE	DESCRIPTION	DENOMINAZIONE
1	79045183	1	150R	COCK	RUBINETTO
2	76013782	1	192T	HOSE	TUBO FLESSIBILE
3	10397880	2	45A	RING, 25X42	ANELLO
4	12173690	5	180C	COLLAR	COLLARE
5	76008315	1	20R	FITTING	RACCORDO
6	76008316	1	85G	ELBOW	GOMITO
7	76013783	1	192T	HOSE	TUBO FLESSIBILE
8	76013784	1	192T	HOSE	TUBO FLESSIBILE



FR11	HEATER HOSES	E108	4
		Added August 1988	



ITEM	PART NO.	QTY.	CODE	DESCRIPTION	DENOMINAZIONE
1	-----	1	161P	PUMP, HYDRAULIC (E329)	POMPA IDRAULICA
	73137130	2	210P	STUD, M14 X 2 X 56MM	PRIGIONIERO
	10520101	2	131R	WASHER	ROSETTA
	10719421	2	100	NUT	DADO
2	73137195	1	123G	GASKET	GUARNIZIONE DI TENUTA
3	76008792	1	192T	HOSE	TUBO FLESSIBILE
	70924192	1	55A	O-RING	ANELLO DI TENUTA
	70921117	2	70F	FLANGE	FLANGIA
	70921569	4	40V	CAPSCREW, 3/8"NC X 1-1/4"	VITE
4	73137210	1	192T	HOSE	TUBO FLESSIBILE
	14463280	1	55A	O-RING	ANELLO DI TENUTA
	70921115	2	70F	FLANGE	FLANGIA
	70921076	4	40V	CAPSCREW, 3/8"NC X 1-1/4"	VITE
5	76011536	1	206T	TUBE	TUBO
	70921244	1	20C	CAP	CALOTTA
	70928139	1	85G	ELBOW	GOMITO
			500K	INCLUDES O-RING	INCLUDE O-RING
	70921235	1	55A	O-RING	ANELLO DI TENUTA
6	76012641	1	192T	HOSE	TUBO FLESSIBILE
	79083847	2	120M	CLAMP	MORSETTO COLLARE
7	76008771	1	70F	FLANGE	FLANGIA
	10300671	1	50T	PLUG, M14 X 1.5	TAPPO
	10282460	1	123G	GASKET	GUARNIZIONE DI TENUTA
	70927174	4	40V	CAPSCREW, 3/8"NC X 2-1/2"	VITE
	70904206	4	32R	LOCKWASHER	ROSETTA DI SICUREZZA
	70922526	4	40V	CAPSCREW, 1/2"NC X 2-1/2"	VITE
	70904208	4	32R	LOCKWASHER	ROSETTA DI SICUREZZA
	14463780	1	55A	O-RING	ANELLO DI TENUTA
	14464380	1	55A	O-RING	ANELLO DI TENUTA

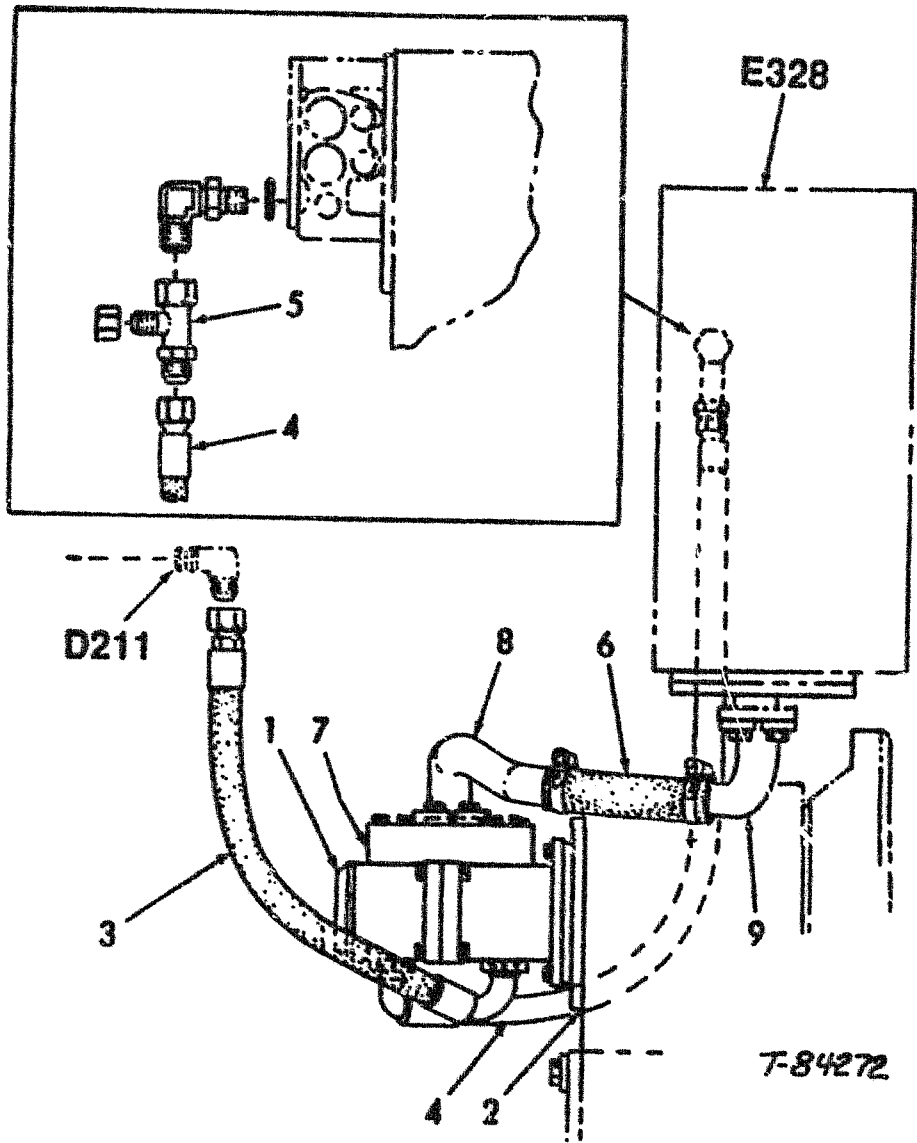
FR11

HYDRAULIC PUMP & VALVE PIPING
 POMPA IDRAUL. E TUBAZIONI DISTR.
 POMPE ET CONDUITES AU DISTRIBUTEUR
 HYDRAULISCHE PUMPEN- UND VENTILLEITUNGEN
 BOMBA HIDRAULICA Y TUBERIA A LA VALVULA

E302

1

Revised August 1988



ITEM PART NO. QTY. LEX. DESCRIPTION

8	76011707	1	206T	TUBE
	14464680	1	55A	O-RING
	70921558	2	70F	FLANGE
	15540531	4	40V	CAPSCREW
	10571971	4	132R	LOCKWASHER
9	76011706	1	206T	TUBE
	14464680	1	55A	O-RING
	70921558	2	70F	FLANGE
	70920582	4	40V	CAPSCREW, 1/2"NC X 1-1/4"

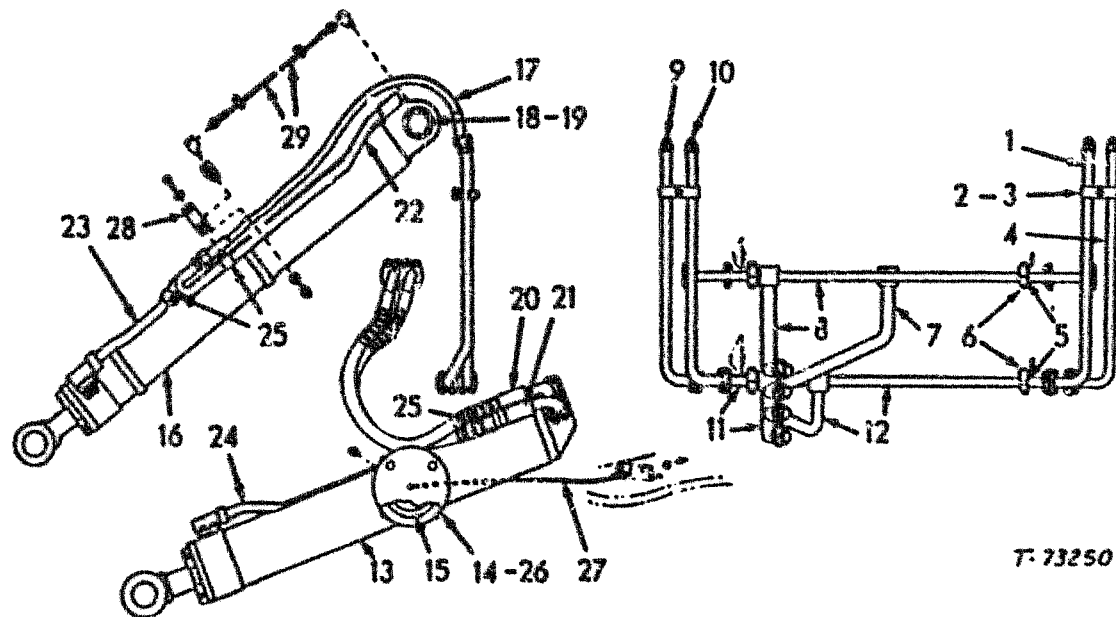
FR11

HYDRAULIC PUMP & VALVE PIPING

E302

1

REVISED OCTOBER 1990



ITEM	PART NO.	QTY.	CODE	DESCRIPTION	DENOM	LINE
1	76011414	1	206T	TUBE	TUBO	
2	73052340	4	97S	CLAMP, HALF	SEMIMORSETTO	
	70922848	2	40V	CAPSCREW, 3/8"NC X 3-1/4"	VITE	
	70677006	2	131R	WASHER	ROSETTA	
3	73057233	2	78B	BLOCK, FASTENING	BLOCCHETTO FISSAGGIO	
4	76011415	1	206T	TUBE	TUBO	
5	73044134	8	97S	CLAMP, HALF	SEMIMORSETTO	
6	70927446	4	40V	CAPSCREW, 3/8"NC X 3"	VITE	
	70677006	8	131R	WASHER	ROSETTA	
	70933623	4	10G	NUT, 3/8"NC	DADO	
7	76011409	1	206T	TUBE	TUBO	
	70924200	2	55A	O-RING OR	ANELLO DI TENUTA	
	14463780	2	55A	O-RING	ANELLO DI TENUTA	
	70921116	4	70F	FLANGE	FLANGIA	
	70921076	8	40V	CAPSCREW, 3/8"NC X 1-1/4"	VITE	
8	76011408	1	206T	TUBE	TUBO	
	70924200	2	55A	O-RING OR	ANELLO DI TENUTA	
	14463780	2	55A	O-RING	ANELLO DI TENUTA	
	70921116	4	70F	FLANGE	FLANGIA	
	70921076	8	40V	CAPSCREW, 3/8"NC X 1-1/4"	VITE	
9	76011412	1	206T	TUBE	TUBO	
10	76011413	1	206T	TUBE	TUBO	
11	76011411	1	206T	TUBE	TUBO	
	70924200	2	55A	O-RING OR	ANELLO DI TENUTA	
	14463780	2	55A	O-RING	ANELLO DI TENUTA	
	70921116	4	70F	FLANGE	FLANGIA	
	70921076	8	40V	CAPSCREW, 3/8"NC X 1-1/4"	VITE	

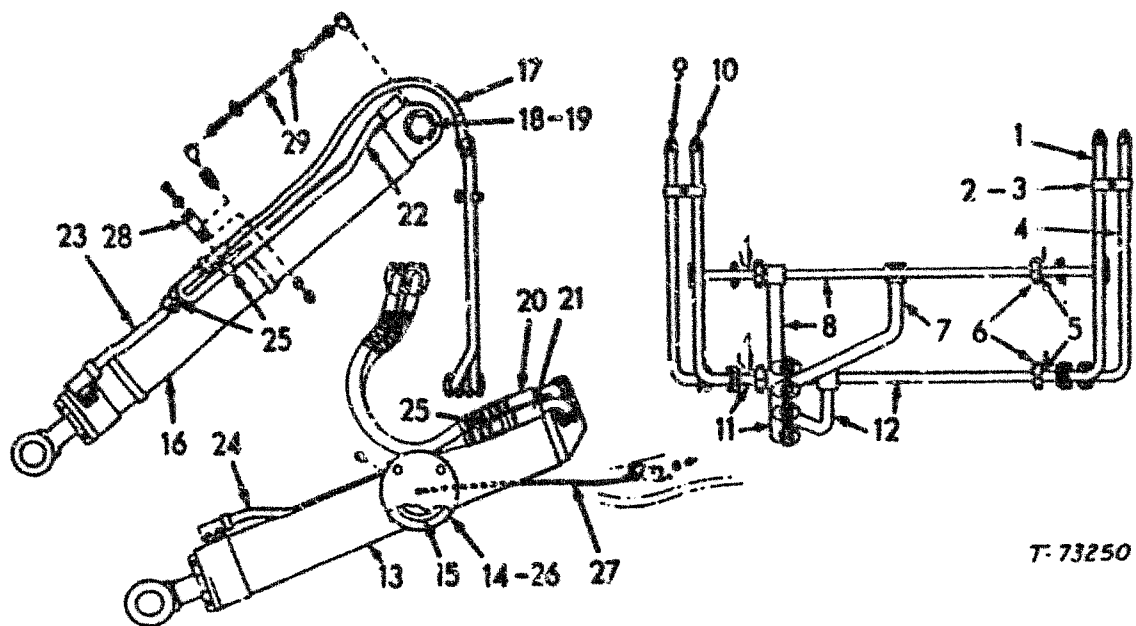
FR11

CYLINDER & PIPING
 TUBAZIONI-CILINDRO RIBALT.
 CONDUITES ET VERINS
 ZYLINDERLEITUNGEN
 TUBERIA DE CILINDROS

E 302

2

REVISED OCTOBER 1990



T-73250

ITEM PART NO. QTY. LEX. DESCRIPTION

12	76011410	1	206T	TUBE
	70924200	2	55A	O-RING OR
	14463780	2	55A	O-RING
	70921116	4	70F	FLANGE
	70921076	8	40V	CAPSCREW, 3/8"NC X 1-1/4"
13	-----	1	164C	CYLINDER (E332(2),(2A))
14	73042086	2	501I	CAGE ASSY. 600L INCLUDES ITEM(S) 15
	70924804	8	40V	CAPSCREW, 1/2"NC X 2-1/4"
	70928188	8	131R	WASHER
	70933037	8	10D	NUT, 1/2"NC
	13407211	2	60I	FITTING, LUBRICATION
15	73001319	4	95B	BUSHING
16	-----	1	164C	CYLINDER (E332(1), (1A))
17	73135883	4	192T	HOSE 600Q SEE HOSE PARTS 600L INCLUDES ITEM(S) 30
	73077238	4	59C	SLEEVE
18	76011123	2	80P	PIN, SECURING
	73003064	-	131R	WASHER (.062") 600X PRIOR TO UNIT NO. 530204
	76014613	-	198S	SHIM 600Y UNIT NO. 530204 AND UP
	70729652	-	131R	WASHER (.010")
	70729653	-	131R	WASHER (.040") 600P AS REQUIRED
19	73001559	2	131R	WASHER
	70917835	2	10D	NUT, 1-1/2"NF

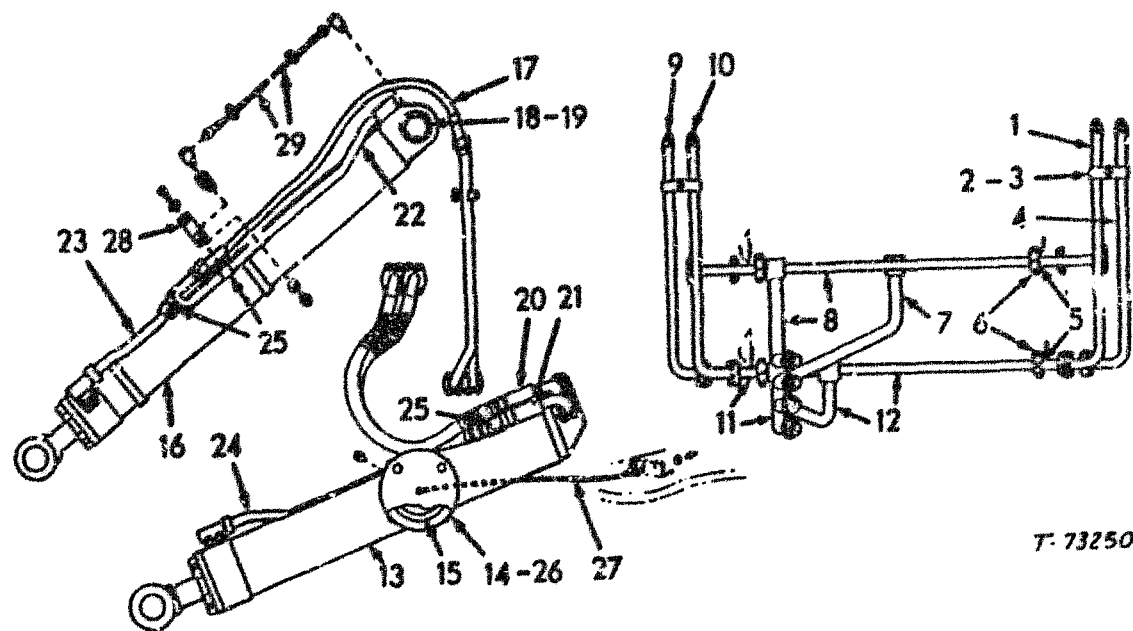
FR11

CYLINDER & PIPING

E302

2

REVISED NOVEMBER 1990



ITEM PART NO. QTY. LEX. DESCRIPTION

20	73135881	1	192T	HOSE
	73135882	1	192T	HOSE
			600Q	SEE HOSE PARTS
	14463780	2	55A	O-RING
	70921115	4	70F	FLANGE
	70921076	8	40V	CAPSCREW, 3/8"NC X 1-1/4"
	76017489	2	115G	GUARD
21	73135879	1	192T	HOSE
	73135880	1	192T	HOSE
			600Q	SEE HOSE PARTS
	14463780	2	55A	O-RING
	70921115	4	70F	FLANGE
	14420231	8	40V	CAPSCREW, M10 X 30
			600L	INCLUDES ITEM(S)30
	76017489	2	115G	GUARD
22	73136375	2	206T	TUBE
	70924200	2	55A	O-RING
	11107231	8	40V	CAPSCREW
23	73136264	2	206T	TUBE
	70924110	2	55A	O-RING
				OR
	14463280	2	55A	O-RING
	14420231	8	40V	CAPSCREW, M10 X 1.25 X 30MM
24	76011181	1	206T	TUBE
	14463280	2	55A	O-RING
	14420231	8	40V	CAPSCREW, M10 X 1.25 X 30MM
25	73019133	6	89G	CLIP
	70922300	2	40V	CAPSCREW, 3/8"NC X 3/4"
	11106031	4	40V	CAPSCREW, M10 X 1.5 X 20MM
	70677006	6	131R	WASHER

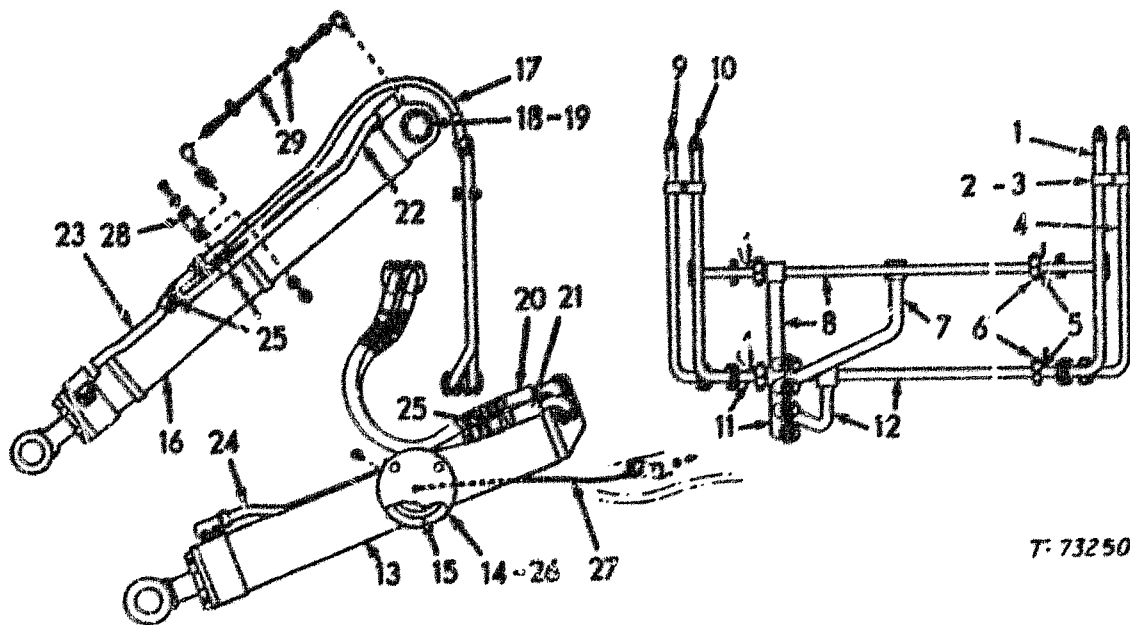
FR11

CYLINDER & PIPING

E302

2

REVISED OCTOBER 1960



T-73250

ITEM PART NO. QTY. LEX. DESCRIPTION

ITEM	PART NO.	QTY.	LEX.	DESCRIPTION
26	73066632	2	5011	CAGE ASSY.
			600E	INNER
			607L	INCLUDES ITEM(S) 15
	70924864	8	40V	CAPSCREW, 1/2"NC X 2-1/4"
	70928188	8	131R	WASHER
	70933037	8	10D	NUT, 1/2"NC
	70932505	2	20R	FITTING, 1/8"NPSF
27	73066603	2	192T	HOSE
			600N	SERVICED AS A UNIT
	70933010	2	257C	LOCKNUT, 1/8"NPSM/
	70912808	2	60I	FITTING, LUBRICATION
28	73073200	1	215S	BRACKET, ANGLE
			600B	RIGHT
	70646245	1	230S	BRACKET, MOUNTING
			600A	LEFT
	16043330	1	40V	CAPSCREW
	70929662	2	131R	WASHER
	70933010	2	257C	LOCKNUT, 1/8"NPSM
	70912808	2	60I	FITTING, LUBRICATION
				OR
	13406911	2	60I	FITTING, LUBRICATION
29	73066604	2	192T	HOSE
	73073188	2	20R	FITTING
	73075592	2	85G	ELBOW
	79013422	6	501H	TIE

FR11

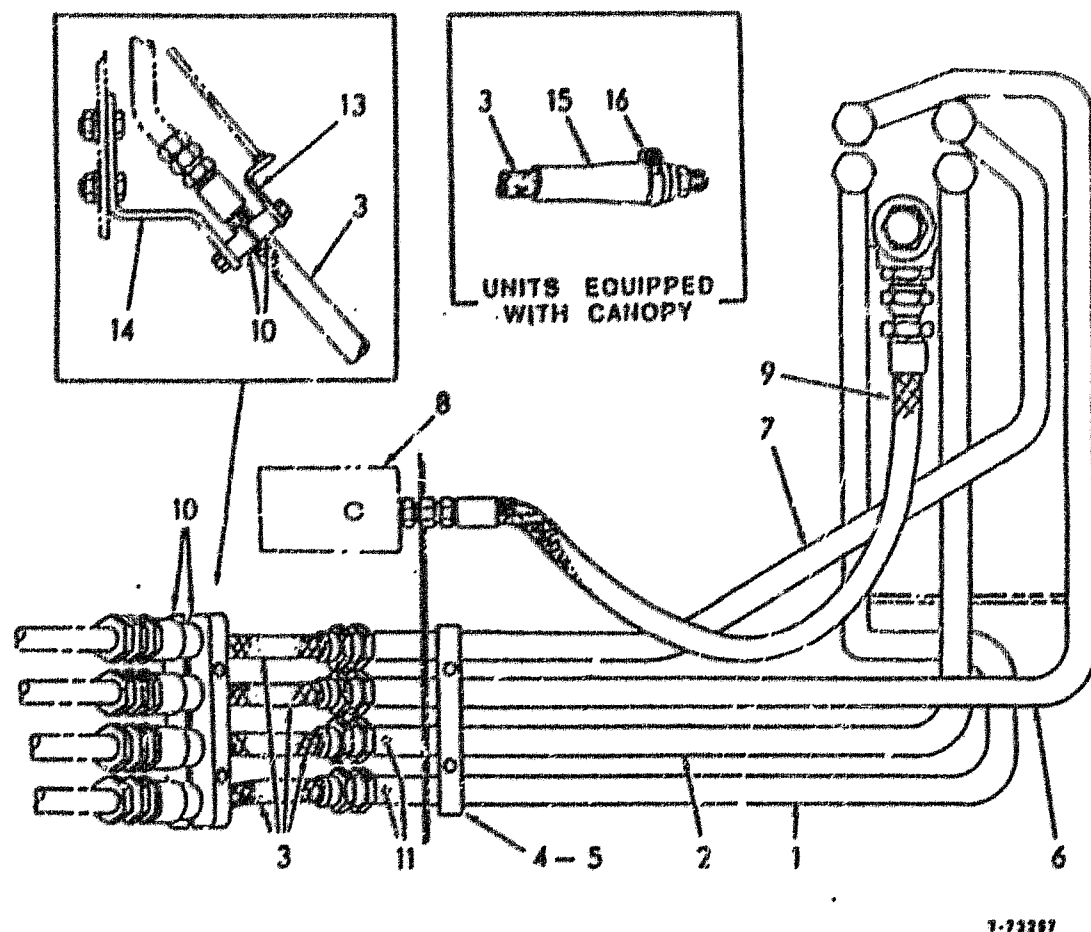
CYLINDER & PIPING

E302

2

REVISED OCTOBER 1990

E302(3)



ITEM	PART NO.	QTY.	CODE	DESCRIPTION	DENOMINAZIONE
1	76011397	1	206T	TUBE	TUBO
	70921228	1	75B	CONNECTOR, 1-5/16"	BLOCCETTO CONNESSIONE
			600L	INCLUDES ITEM(S)112	INCLUDE PARTIC.(11)
2	76011398	1	206T	TUBE	TUBO
	70921228	1	75B	CONNECTOR, 1-5/16"	BLOCCETTO CONNESSIONE
			600L	INCLUDES ITEM(S)112	INCLUDE PARTIC.(11)
3	76011434	4	192T	HOSE	TUBO FLESSIBILE
			6000	SEE HOSE PARTS	VEDERE TUBI FLESSIBILI
4	73044152	1	97S	CLAMP, HALF	SEMIMORSETTO
	73045673	2	97S	CLAMP, HALF	SEMIMORSETTO
	70924843	2	40V	CAPSCREW, 3/8"HC X 3-1/2"	VITE
	70677006	2	131R	WASHER	ROSETTA
	70933623	2	10D	NUT, 3/8"HC	DADO
9	73048524	3	198S	SHIM, ADJUSTMENT	SPESSORE DI REGISTRO
6	76011396	1	206T	TUBE	TUBO
	70921228	1	75B	CONNECTOR, 1-5/16"	BLOCCETTO CONNESSIONE
			600L	INCLUDES ITEM(S)112	INCLUDE PARTIC.(11)
7	76011395	1	206T	TUBE	TUBO
	70921228	1	75B	CONNECTOR, 1-5/16"	BLOCCETTO CONNESSIONE
			600L	INCLUDES ITEM(S)112	INCLUDE PARTIC.(11)
8	-----	1	10V	VALVE (D211121)	VALVOLA
9	-----	1	192T	HOSE (D211121)	TUBO FLESSIBILE
10	76011458	2	97S	CLAMP, HALF	SEMIMORSETTO
	70922848	2	40V	CAPSCREW, 3/8"HC X 3-1/4"	VITE
	70677006	2	131R	WASHER	ROSETTA
	70933623	2	10D	NUT, 3/8"HC	DADO
11	70921467	2	20C	CAP	CALOTTA
12	70921214	4	55A	O-RING	ANELLO DI TENUTA
13	76011457	1	80H	BRACKET	MENSOLA
14	76011456	1	215S	BRACKET, ANGLE	SQUADRETTA
	70921076	2	40V	CAPSCREW, 3/8"HC X 1-1/4"	VITE
	70929156	-	131R	WASHER	ROSETTA
	70933623	2	10D	NUT, 3/8"HC	DADO
15	73074123	4	55C	SLEEVE	CAMOTTO
16	70921913	4	120H	CLAMP	MORSETTO COLLARE

1-73287

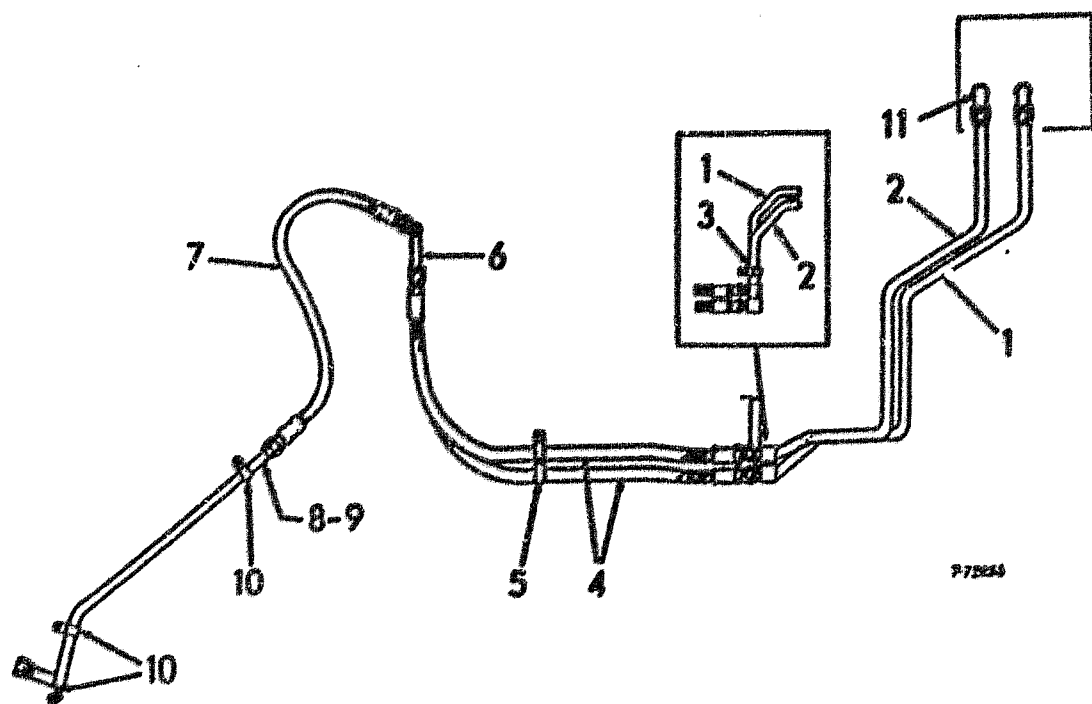
FR11

HYDRAULIC PIPING (REAR SECTION)
 TUBAZIONI IDRAULICHE (SEZ. POST.)
 CONDUITES HYDRAULIQUES (SECTION ARRIERE)
 HYDRAULISCHE LEITUNGEN, HINTEN
 TUBERIA HIDRAULICA TRASERA

E302

3

REVISED OCTOBER 1990



USAGE: SPECIAL EQUIPMENT PRIOR TO JUNE 1990, STANDARD THEREAFTER

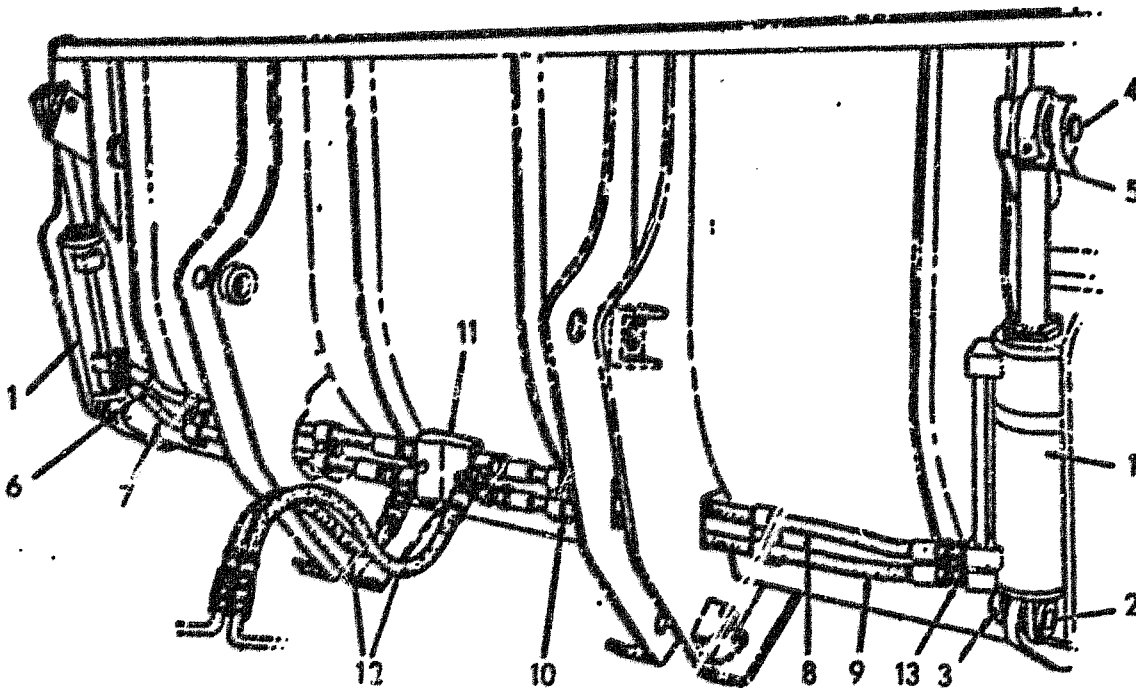
ITEM	PART NO.	QTY.	CODE	DESCRIPTION	DENOMINAZIONE
1	73137492	1	206T	TUBE	TUBO
2	73137493	1	206T	TUBE	TUBO
3	73044134	2	120M	CLAMP	MORSETTO COLLARE
	70933623	1	10D	NUT, 3/8"NC	BLOCCHETTO FISSAGGIO
			600T	REQUIRES WELDING	DA SALDARE
	70927174	1	40V	CAPSCREW, 3/8"NC X 2-1/2"	VITE
	70677006	1	131R	WASHER	ROSETTA
	70933623	1	10D	NUT, 3/8"NC	DADO
4	73137567	2	192T	HOSE	TUBO FLESSIBILE
5	73042060	2	788	BLOCK, FASTENING	BLOCCHETTO FISSAGGIO
			600T	REQUIRES WELDING	DA SALDARE
	70925608	2	89G	CLIP	GRAFFETTA
	70923276	2	40V	CAPSCREW, 3/8"NF X 1"	VITE
	70677006	2	131R	WASHER	ROSETTA
6	73137571	2	206T	TUBE	TUBO
7	73137568	2	192T	HOSE	TUBO FLESSIBILE
	70926929	2	89G	ELBOW, 1-1/16"	GOMITO
			600R	INCL. HARDWARE	INCL. VITERIA
8	73142299	1	206T	TUBE	TUBO
			600A	LEFT	SINISTRO
	70922195	1	20C	CAP	CALOTTA
9	73142300	1	206T	TUBE	TUBO
			600B	RIGHT	DESTRO
	70922195	1	20C	CAP	CALOTTA
10	73019133	6	89G	CLIP	GRAFFETTA
	70647418	2	10D	NUT, 3/8"	DADO
			600T	REQUIRES WELDING	DA SALDARE
	70646728	4	10D	NUT, 3/8"	DADO
			600T	REQUIRES WELDING	DA SALDARE
	70677006	6	131R	WASHER	ROSETTA
	70927400	2	40V	CAPSCREW, 3/8"NC X 5/8"	VITE
	70922763	4	40V	CAPSCREW, 3/8"NC X 1"	VITE
11	70921227	2	89G	ELBOW, 1-5/16"	GOMITO
			600K	INCLUDES O-RING	INCL. O-RING
	70921214	2	55A	O-RING	ANELLO DI TENUTA

FR11

FRONT PIPING
TUBAZIONI ANTERIORI
CONDUITES AVANT
HYDRAULISCHE LEITUNGEN, VORN
TUBERIA DELANTERA

E302/1

REVISED OCTOBER 1990



F22477

ITEM	PART NO.	QTY.	CODE	DESCRIPTION	DENOMINAZIONE
1	-----	1	164C	CYLINDER(E332/2)	CILINDRO
2	70654115	2	80P	PIN	PERNO
3	70652419	2	80P	PIN	PERNO
	70918452	2	80P	PIN, SECURING, 1/8" X 1"	PERNO
4	70654252	2	80P	PIN	PERNO
5	70654250	2	80P	PIN	PERNO
	70918452	2	81P	PIN, SECURING, 1/8" X 1"	PERNO DI FISSAGGIO
6	73144313	4	192T	HOSE	TUBO FLESSIBILE
			600N	SERVICED AS A UNIT	FORNITO COME COMPLESS.
7	73144314	1	192T	HOSE	TUBO FLESSIBILE
			600N	SERVICED AS A UNIT	FORNITO COME COMPLESS.
8	73144315	1	192T	HOSE	TUBO FLESSIBILE
			600N	SERVICED AS A UNIT	FORNITO COME COMPLESS.
9	73144316	1	192T	HOSE	TUBO FLESSIBILE
			600N	SERVICED AS A UNIT	FORNITO COME COMPLESS.
10	70654125	4	12CM	CLAMP	MORSETTO COLLARE
	70911026	4	10D	NUT, 3/8"NC	DADO
	70910287	4	132R	LOCKWASHER	ROSETTA DI SICUREZZA
11	73077676	1	7V	VALVE, OVERPRESSURE	VALVOLA DI SOVRAPRESS.
			600N	SERVICED AS A UNIT	FORNITO COME COMPLESS.
	73077671	2	75B	CONNECTOR	BLOCCHETTO CONNESSIONE
	73135372	2	55T	ADAPTER	ADATTATORE
12	73135395	2	192T	HOSE	TUBO FLESSIBILE
			600N	SERVICED AS A UNIT	FORNITO COME COMPLESS.
13	73135372	4	55T	ADAPTER	ADATTATORE

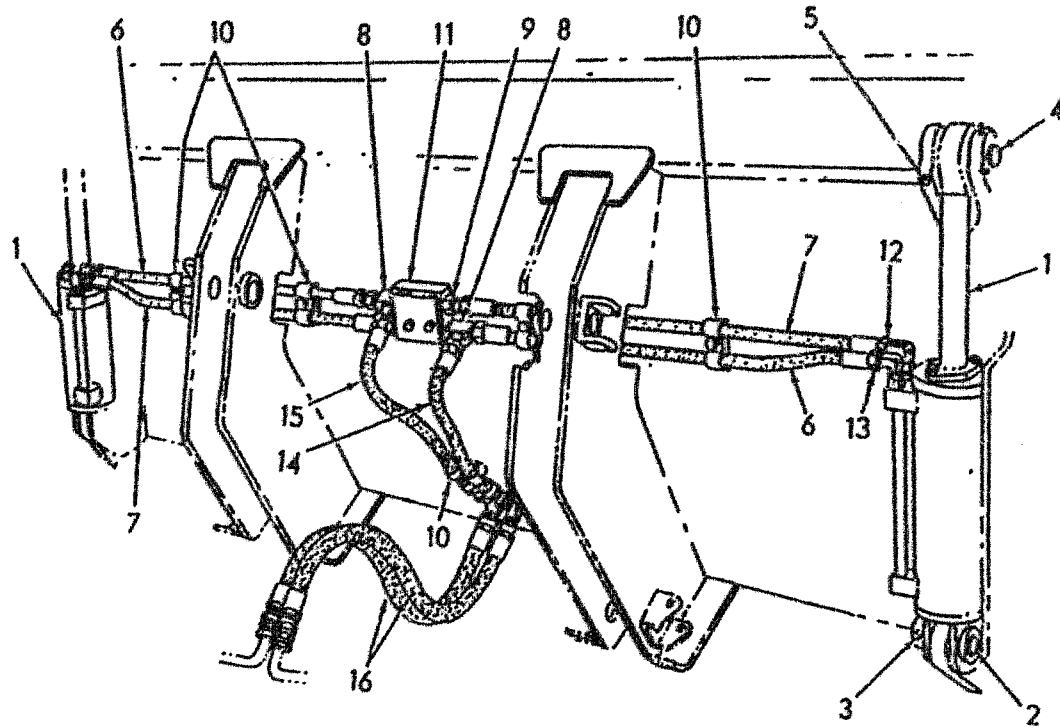
USAGE: FIRST TYPE. SPECIAL EQUIPMENT 106" WIDTH; USO: EQUIPAGGIAMENTO SPECIALE; 1
 USAGE: EQUIPMENT SPECIAL; VERWENDUNG: SONDERAUSRUSTUNG; USO: EQUIPO ESPECIAL.

FR11

BUCKET HYDRAULICS
 BENNA-SISTEMA IDRAULICO
 SYSTEM HYDRAULIQUE DU GODET
 KUBELHYDRAULIK
 SISTEMA HIDRAULICO DEL CUCHARON

E 302/3

Revised August 1988



T-72477

ITEM	PART NO.	QTY.	CODE	DESCRIPTION	DENOMINAZIONE
1	-----	1	164C	CYLINDER(E332/3)	CILINDRO
2	70654115	2	80P	PIN	PERNO
3	70652419	2	80P	PIN	PERNO
	70918452	2	81P	PIN, SECURING, 1/8" X 1"	PERNO DI FISSAGGIO
4	70654252	2	80P	PIN	PERNO
5	70654250	2	80P	PIN	PERNO
	70918452	2	81P	PIN, SECURING, 1/8" X 1"	PERNO DI FISSAGGIO
6	73153297	2	192T	HOSE	TUBO FLESSIBILE
			600N	SERVICED AS A UNIT	FORNITO COME COMPLESS.
7	73153296	2	192T	HOSE	TUBO FLESSIBILE
			600N	SERVICED AS A UNIT	FORNITO COME COMPLESS.
8	70921268	2	16R	TEE	RACCORDO A 3 VIE
9	70919342	2	20R	FITTING	RACCORDO
10	70654125	4	120M	CLAMP	MORSETTO COLLARE
	70911026	4	10D	NUT, 3/8"NC	DADO
	70910287	4	132R	LOCKWASHER	ROSETTA DI SICUREZZA
11	73129527	1	7V	VALVE, OVERPRESSURE	VALVOLA DI SOVRAPRESS.
			600N	SERVICED AS A UNIT	FORNITO COME COMPLESS.
	70929803	2	40V	CAPSCREW,	VITE
				5/16"NC X 3-1/2"	
	70933672	2	10D	NUT	DADO
	70910286	2	132R	LOCKWASHER	ROSETTA DI SICUREZZA
12	70919624	4	20R	FITTING	RACCORDO
13	73153332	4	55T	ADAPTER	ADATTATORE
14	73154998	1	192T	HOSE	TUBO FLESSIBILE
			600B	RIGHT	DESTRO
15	73154999	1	192T	HOSE	TUBO FLESSIBILE
			600A	LEFT	SINISTRO
16	73155001	2	192T	HOSE	TUBO FLESSIBILE
	70922588	2	85G	ELBOW	GOMITO
	73155000	2	55T	ADAPTER	ADATTATORE
	70919198	2	10D	NUT	DADO

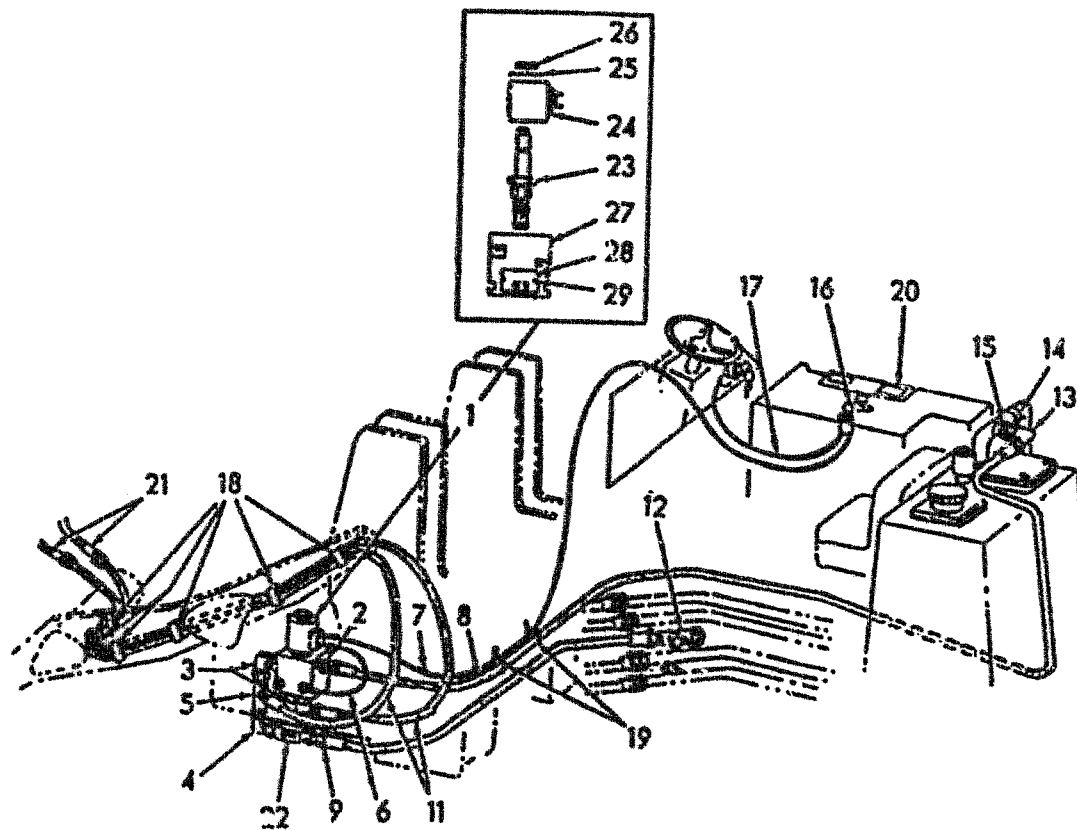
USAGE: SECOND TYPE. SPECIAL EQUIPMENT 106"; USO: EQUIPAGGIAMENTO SPECIALE; USAGE:
EQUIPEMENT SPECIAL; VERWENDUNG: SONDERAUSRUSTUNG; USO: EQUIPO ESPECIAL

F211

BUCKET HYDRAULICS
BENNA-SISTEMA IDRAULICO
SYSTEM HYDRAULIQUE DU GODET
KUBELHYDRAULIK
SISTEMA HIDRAULICO DEL CUCARON

E 302/4

Revised August 1988



7-089

ITEM PART NO. QTY. LEX. DESCRIPTION

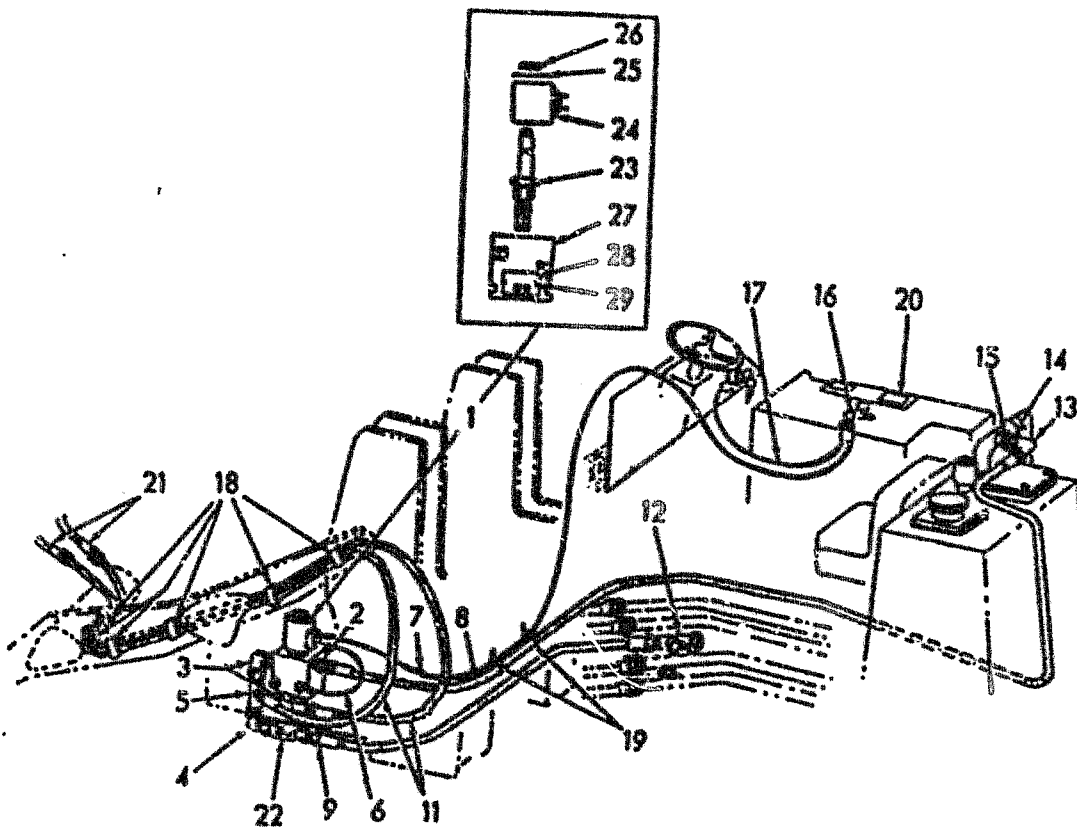
ITEM	PART NO.	QTY.	LEX.	DESCRIPTION
1	73154750	1	10V	VALVE, SOLENOID
			600L	INCL. ITEMS 23-29
	70922912	2	40V	CAPSCREW, 1/4"NC X 2"
	70929932	4	131R	WASHER
	70920397	2	257C	LOCKNUT, 1/4"NC
2	70922522	1	75B	CONNECTOR
3	70922523	2	85G	ELBOW
4	73155621	1	85G	ELBOW
5	70921297	1	16R	TEE
6	73157976	1	60F	WIRE, VALVE TO GROUND(16GA-12")
			601C	NOT SERVICED
7	73157977	1	60F	WIRE, VALVE TO TG. SWITCH
			(16GA-12")	
			601C	NOT SERVICED
8	73154751	1	192T	HOSE ASSY., RETURN
9	73154752	1	192T	HOSE ASSY., SUPPLY
11	73154754	2	192T	HOSE ASSYL, CYL EXTEND,
				BOOM ARM
	70919205	2	75B	CONNECTOR
12	70922521	1	16R	TEE
13	70921279	1	85G	ELBOW
14	70926770	1	55T	ADAPTER
15	70925854	1	55T	ADAPTER
	70919197	1	10D	NUT
16	73125891	1	66I	SWITCH, TOGGLE
17	73157978	1	60F	WIRE, TG. SWITCH TO ING.
				SWITCH (16GA - 6')
			601C	NOT SERVICED
18	73154755	6	120M	CLAMP
19	70198775	20	501H	TIE
			600P	AS REQUIRED

FR11.

TOOL CARRIER
HYDRAULIC CONTROL

E302/5

REVISED OCTOBER 1990



T-999

ITEM PART NO. QTY. LEX. DESCRIPTION

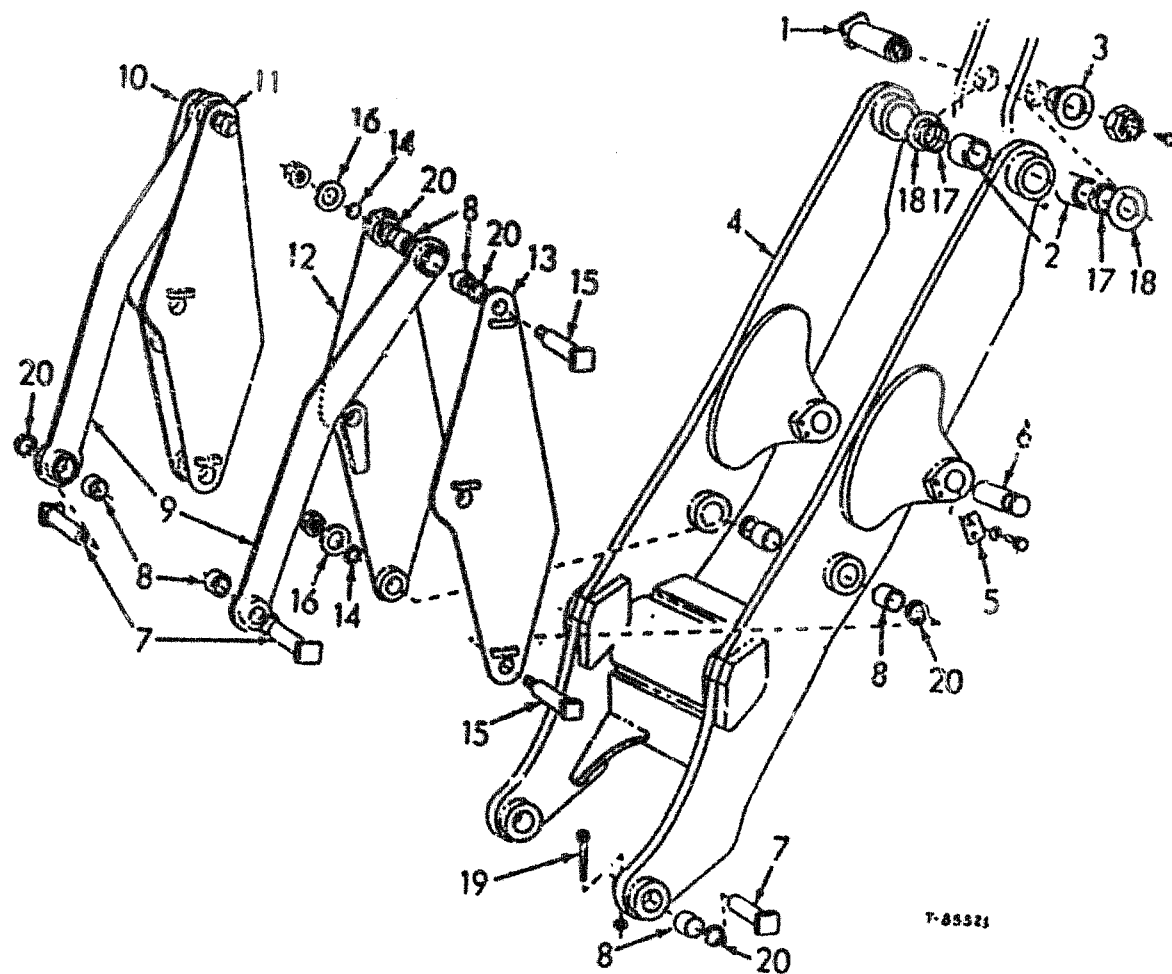
ITEM	PART NO.	QTY.	LEX.	DESCRIPTION
20	73154756	1	8D	DECAL
21	73154757	2	192T	HOSE ASSY., JUMPER
22	73155588	1	10V	VALVE, CHECK
	70919062	1	75B	CONNECTOR
23	73159033	1	10V	VALVE
24	73159102	1	30E	SOLENOID
25	1	105P	PLATE
26	73113425	1	10D	NUT
27	1	300C	BODY
28	1	105P	PLATE
29	2	55R	RIVET

FR11

TOOL CARRIER
HYDRAULIC CONTROL

E302/5

ADDED OCTOBER 1990



ITEM PART NO. QTY. LEX. DESCRIPTION

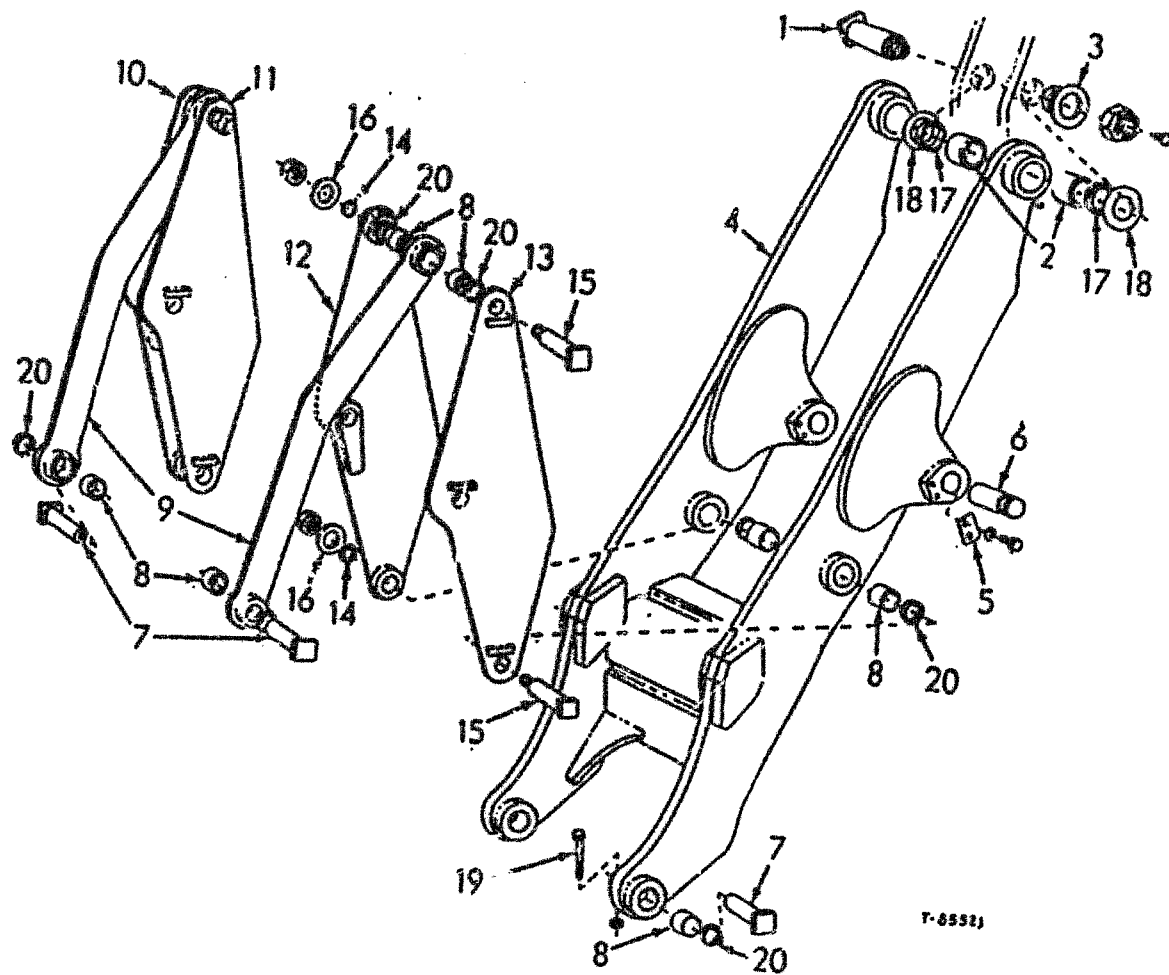
1	76010478	2	80P	PIN
	70924130	2	10D	NUT, 1-3/4"NC
	70729652	-	131R	WASHER (.010")
	70729653	-	131R	WASHER (.040")
			600P	AS REQUIRED
	70915276	2	60I	FITTING, LUBRICATION
2	73010347	4	95B	BUSHING
3	73044963	2	75D	SPACER
4	76011171	1	133B	BOOM
			600L	INCLUDES ITEM(S) 2,8
	13407211	4	60I	FITTING, LUBRICATION
5	08270126	2	105P	PLATE
	11115831	4	40V	CAPSCREW, M12 X 2 X 40MM
	14496801	4	131R	WASHER
6	76011176	2	80P	PIN (196MM LONG)
			601L	FIRST TYPE
	76018082	2	80P	PIN (206MM LONG)
			601M	SECOND TYPE
7	76010477	4	80P	PIN
	13407211	4	60I	FITTING, LUBRICATION
			OR	
	70922887	4	60I	FITTING, LUBRICATION
8	a76006949	16	95B	BUSHING
9	76011128	2	75G	LINK
			600L	INCL. ITEM(S) 8
			600X	PRIOR TO UNIT 530289
	76016126	2	75G	LINK
			600L	INCL. ITEM(S) 21
			600Y	UNIT NO. 530289 AND UP
	70922387	?	60I	FITTING, LUB
			OR	
	13407211	2	60I	FITTING, LUB

FR11

LINKAGE GROUP

E310

REVISED NOVEMBER 1990



ITEM PART NO. QTY. LEX. DESCRIPTION

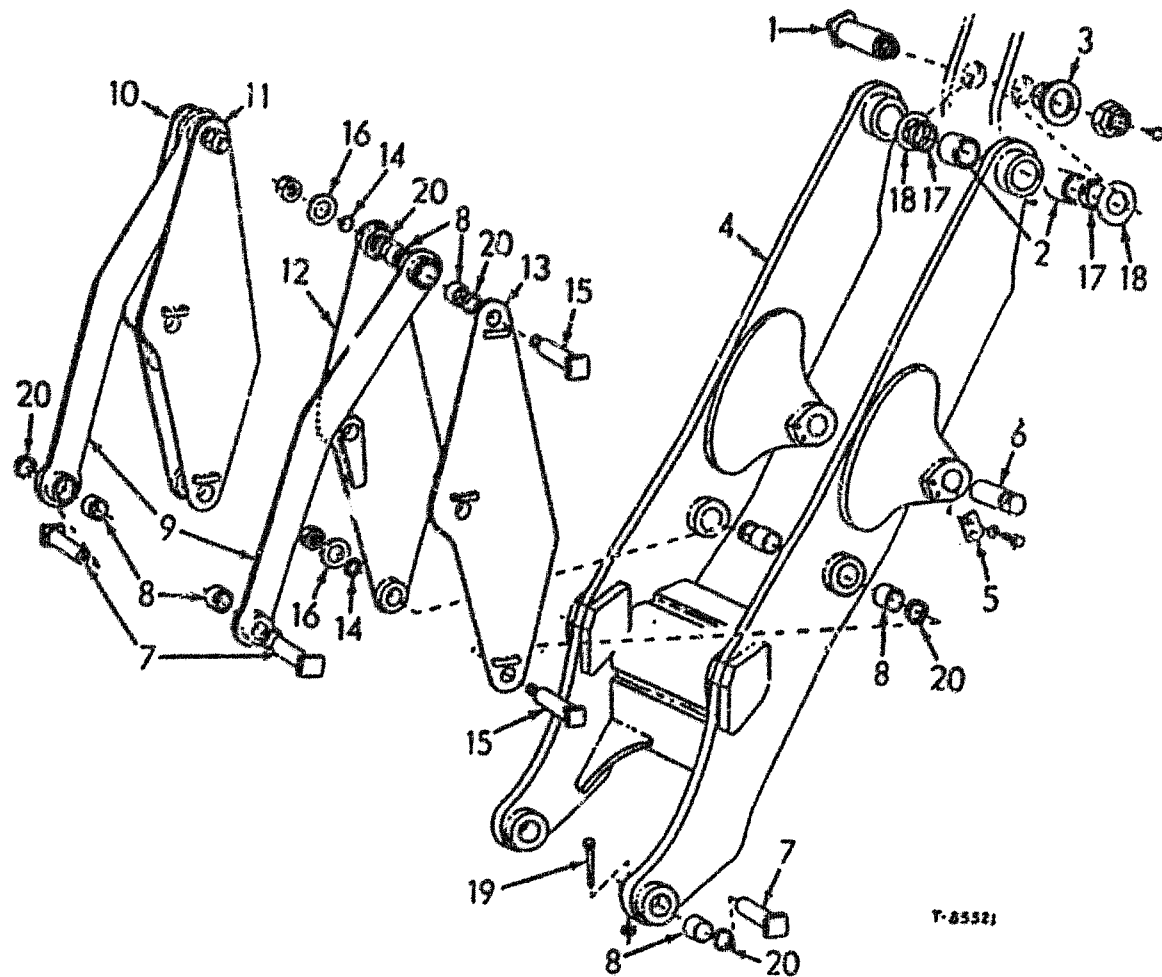
10	73135942	1	75G	LINK
			600B	RIGHT
			600F	OUTER
11	73136180	1	75G	LINK
			600B	RIGHT
			600E	INNER
12	73136179	1	75G	LINK
			600A	LEFT
			600E	INNER
13	73135941	1	75G	LINK
			600A	LEFT
			600F	OUTER
14	73042772	-	131R	WASHER (.0359")
			600P	AS REQUIRED
	73042773	-	131R	WASHER (.059")
			600P	AS REQUIRED
15	b76010479	6	80F	PIN
	a70922897	6	60I	FITTING, LUB.
	OR			
	a13407211	6	60I	FITTING, LUB.
16	73001559	6	131R	WASHER
	70917835	6	10D	NUT, 1-1/2"NF
17	73052879	4	133R	SEAL
18	73012494	2	131R	WASHER
			600X	PRIOR TO UNIT NO. 530204
			600P	AS REQUIRED
	76014559	2	131R	WASHER
			600Y	UNIT NO. 530204 AND UP
			600P	AS REQUIRED
19	70927180	4	40V	CAPSCREW, 1/2"NC X 5-1/4"
	70915972	4	257C	LOCKNUT

FR11

LINKAGE GROUP

E310

REVISED NOVEMBER 1990



ITEM PART NO. QTY. LEX. DESCRIPTION

ITEM	PART NO.	QTY.	LEX.	DESCRIPTION
20	73053637	16	133R	SEAL
21	76016128	4	95B	BUSHING
			600Y	UNIT NO. 530289 AND UP
22	73045055	4	80P	PIN
			600Y	UNIT NO. 530289 AND UP

a. 4 Less used eff with unit no. 530289

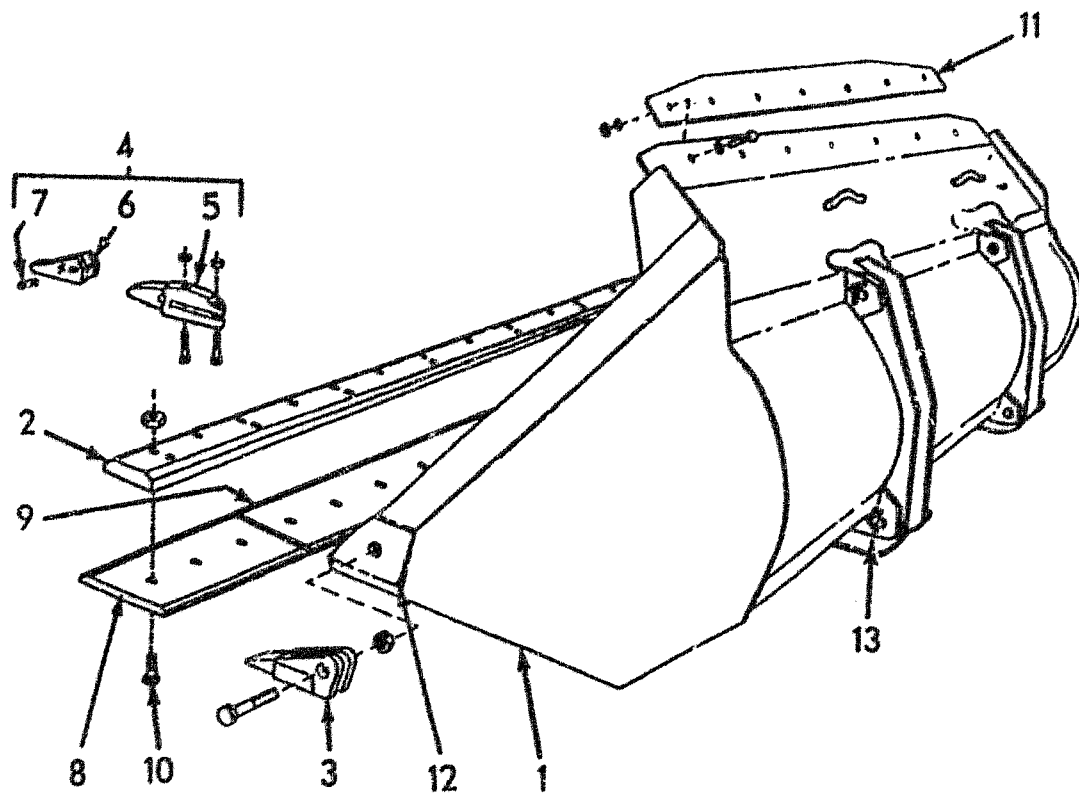
b. 2 Less used eff. with unit no. 530289

FR11

LINKAGE GROUP

E310

ADDED OCTOBER 1990



7-80367

USAGE: 95" BUCKET WIDTH. BOLT ON TEETH; USO: BENNA DA. DENTI IMBULLONATI; USAGE: GODET DE. DENTS BOULONNEES; VERWENDUNG:; ZOLL KÜBELBREITE, ANSCHRAUBZAHNE; USO: CUCHARRON DE. DIENTES EMPERNADAS

ITEM PART NO. QTY. LEX. DESCRIPTION

1	79042446	1	35B	BUCKET (2-1/4 CU. YD)
			600L	INCLUDES ITEMS 2, 12, 13
				OR
	79054798	1	35B	BUCKET (2-1/4 CU. YD)
			600L	INCLUDES ITEM(S) 2, 12
	79042447	1	35B	BUCKET (2-1/2 CU. YD)
			600L	INCL. ITEMS 2, 12, 13
2	76007487	1	199C	EDGE, BUCKET CUTTING
			600T	REQUIRES WELDING
3	79069594	1	501Q	SHANK
			600B	RIGHT
	79069595	1	501Q	SHANK
			600A	LEFT
	79070375	2	40V	CAPSCREW
	79050076	2	10D	NUT
4	-----	6	242P	TIP, TOOTH
			600M	ORDER ITEM(S) 5-7
5	79069596	6	501Q	SHANK
	79043111	12	40V	CAPSCREW, M20 X 1.5 X 78MM
	79043524	12	10D	NUT, M20
6	b73020853	8	242P	TIP, TOOTH
	a73062624	8	242P	TIP, TOOTH
7	a73066439	8	81P	PIN, SECURING
	b73109927	8	81P	PIN, SECURING
8	76011089	2	199C	EDGE, BUCKET CUTTING
9	76011088	1	199C	EDGE, BUCKET CUTTING
10	76011090	15	140B	BOLT
	12164321	15	10D	NUT
11	73064553	1	105P	PLATE
			600J	SPECIAL EQUIPMENT
	70921174	7	40V	CAPSCREW, 5/8"NC X 2-1/2"
	70677010	14	131R	WASHER
	70911029	7	10D	NUT, 5/8"NC

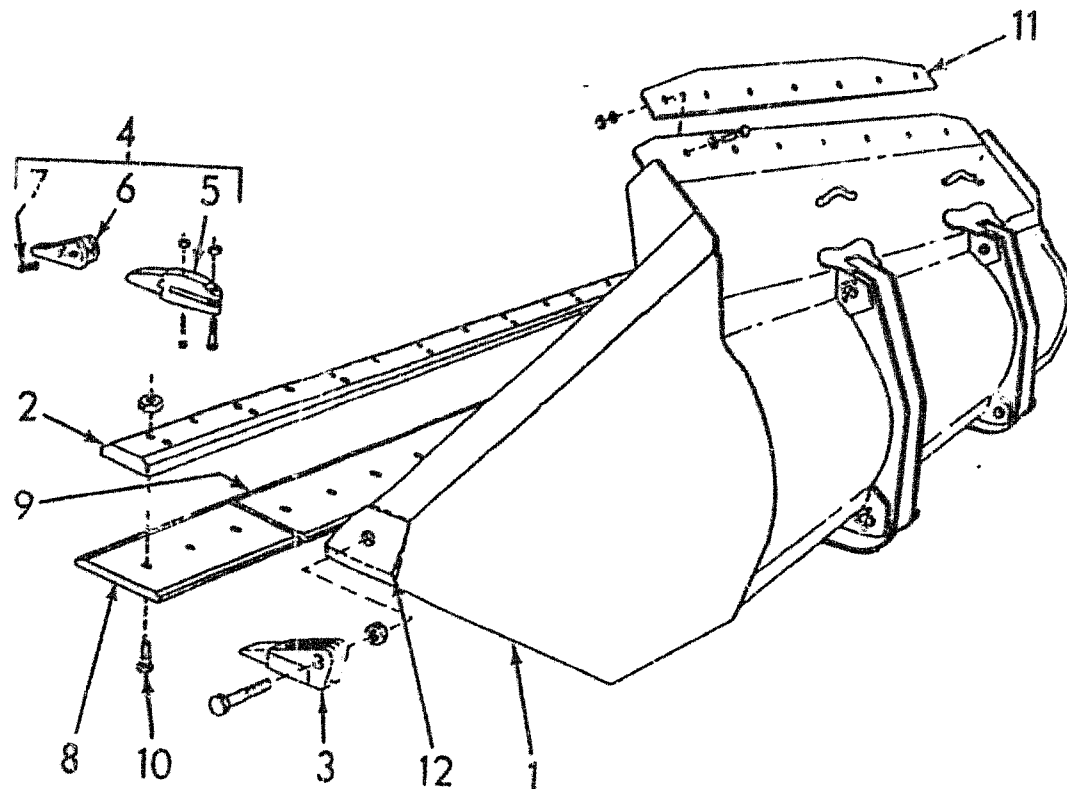
FR11

BUCKET ASSEMBLY -
GENERAL PURPOSE

E314

1

REVISED NOVEMBER 1990



T-80367

USAGE: 102" BUCKET WIDTH. BOLT ON TEETH; USO: BENNA DA. DENTI IMBULLONATI; USAGE: GODET DE. DENTS BOULONNEES; VERWENDUNG:; ZÖL KUBELBREITE, ANSCHRAUBZAHNE; USO: CUCHARON DE. DIENTES EMPERNADAS

ITEM	PART NO.	QTY.	CODE	DESCRIPTION	DENOMINAZIONE
1	76012830	1	35B	BUCKET(2.6 CU.YD)	BENNA
			600	INCLUDES ITEM(S)2,12	INCLUDE PARTIC.(1)
2	76012837	1	199C	EDGE, BUCKET CUTTING	COLTELLO BENNA
3	79069594	1	501Q	SHANK	DENTE
			600B	RIGHT	DESTRO
	79069595	1	501Q	SHANK	DENTE
			600A	LEFT	SINISTRO
	79070375	2	40V	CAPSCREW	VITE
	79050076	2	10D	NUT	DADO
4	-----	6	242P	TIP, TOOTH	PUNTA
			600M	ORDER ITEM(S)5-7	ORDINARE PARTIC.
5	79069596	6	501Q	SHANK	DENTE
	79043111	12	40V	CAPSCREW, M20 X 1.5 X 78M4	VITE
	79049524	12	10D	NUT,M20	DADO
6	a73020853	6	242P	TIP, TOOTH	PUNTA
	b73062624	6	242P	TIP, TOOTH	PUNTA
7	a73066439	8	81P	PIN, SECURING	PERNO DI FISSAGGIO
	b73109927	8	81P	PIN, SECURING	PERNO DI FISSAGGIO
8	76012845	2	199C	EDGE, BUCKET CUTTING	COLTELLO BENNA
9	76011642	1	199C	EDGE, BUCKET CUTTING	COLTELLO BENNA
10	76011090	15	146S	BOLT	BULLONE
	12164321	15	10D	NUT	DADO
11	73064553	1	105P	PLATE	PIASTRA
			600J	SPECIAL EQUIPMENT	EQUIP. SPECIALE
	70921174	7	40V	CAPSCREW, 5/8"HC X 2-1/2"	VITE
	70677610	14	131R	WASHER	ROSETTA
	70911029	7	10D	NUT,5/8"HC	DADO
12	79054919	1	108B	EDGE	BORDO RIGIDO
			600B	RIGHT	DESTRO
			600T	REQUIRES WELDING	DA SALDARE
	79054920	1	108B	EDGE	BORDO RIGIDO
			600A	LEFT	SINISTRO
			600T	REQUIRES WELDING	DA SALDARE

a.GENERAL PURPOSE.

b.HIGH IMPACT.

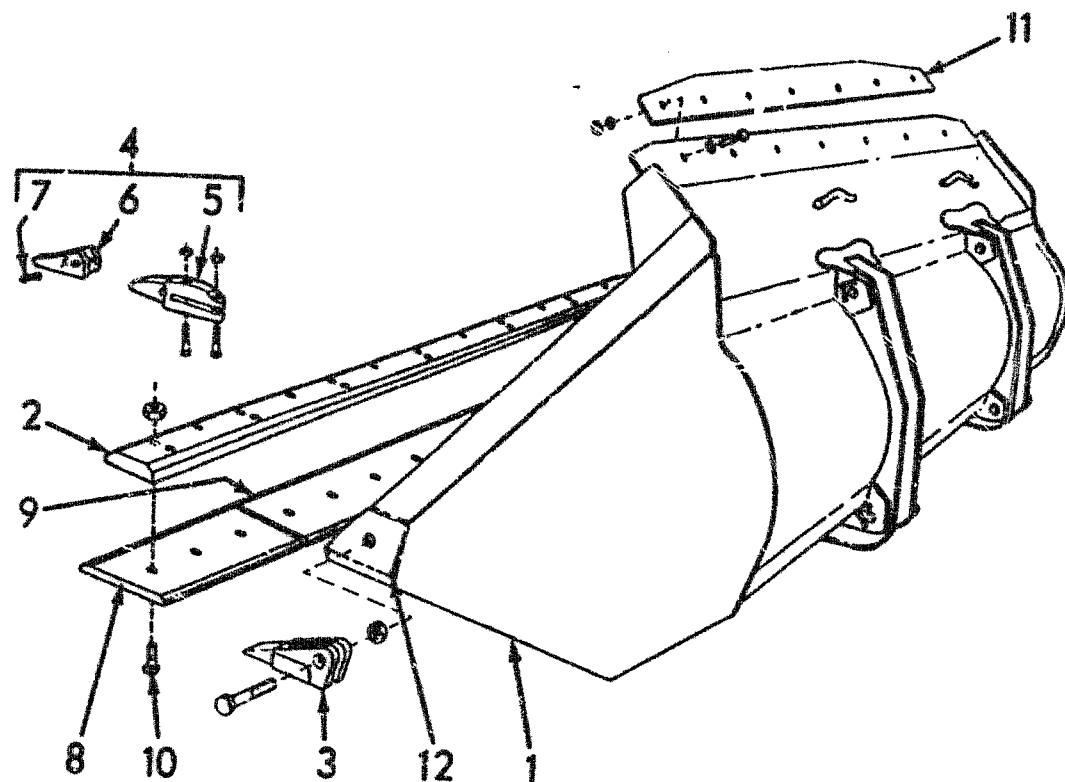
FR11

BUCKET ASSEMBLY - GENERAL PURPOSE
 BENNA-COMPLESSIVO - NORMALE
 GODET - CLASSIQUE
 KUBEL - ALLGEMEINE VERWENDUNG
 CUCHARON - CLASICO

E314

2

Added August 1988



T-80367

USAGE: 98" BUCKET WIDTH. BOLT ON TEETH; USO: BENNA DA. DENTI IMBULLONATI; USAGE: GODET DE. DENTS BOULONNEES; VERWENUNG:; ZOLL KUBELBREITE, ANSCHRAUBZAHNE; USO: CUCHARRON DE. DIENTES EMPERNADAS

ITEM	PART NO.	QTY.	CODE	DESCRIPTION	DENOMINAZIONE
1	79067303	1	35B	BUCKET(2-1/2 CU.YD)	BENNA
			600L	INCLUDES ITEMS 2,3,12	INCLUDE PARTIC.(1)
	79066912	1	35B	BUCKET(2-3/4 CU.YD)	BENNA
			600L	INCLUDES ITEMS 2,3,12	INCLUDE PARTIC.(1)
2	79066922	1	199C	EDGE, BUCKET CUTTING	COLTELLO BENNA
3	79069594	1	501Q	SHANK	DENTE
			600B	RIGHT	DESTRO
	79069595	1	501Q	SHANK	DENTE
			600A	LEFT	SINISTRO
	79070375	2	40V	CAPSCREW	VITE
	79050076	2	10D	NUT	DADO
4	-----	6	242P	TIP, TOOTH	PUNTA
			600M	ORDER ITEMS 5-7	ORDINARE PARTIC.
5	79069596	6	501Q	SHANK	DENTE
	79043111	12	40V	CAPSCREW,M20X1.5X78MM	VITE
	79049524	12	10D	NUT,M20	DADO
6	a73020853	8	242P	TIP,TOOTH	PUNTA
	b73062624	8	242P	TIP,TOOTH	PUNTA
7	a73066439	8	81P	PIN,SECURING	PERNO DI FISSAGGIO
	b73109927	8	81P	PIN,SECURING	PERNO DI FISSAGGIO
8	76011643	2	199C	EDGE, BUCKET CUTTING	COLTELLO BENNA
9	76011642	1	199C	EDGE, BUCKET CUTTING	COLTELLO BENNA
10	76011090	15	140B	BOLT	BULLONE
	12164321	15	10D	NUT	DADO
11	73064553	1	105P	PLATE	PIASTRA
			600J	SPECIAL EQUIPMENT	EQUIP. SPECIALF
	70921174	7	40V	CAPSCREW,5/8"KCX2-1/2"	VITE
	70677010	14	131R	WASHER	ROSETTA
	70911029	7	10D	NUT,5/8"NC	DADO
12	79054919	1	108B	EDGE	BORDO RIGIDO
			600B	RIGHT	DESTRO
			600T	REQUIRES WELDING	DA SALDARE
	79054920	1	108B	EDGE	BORDO RIGIDO
			600A	LEFT	SINISTRO
			600T	REQUIRES WELDING	DA SALDARE

a.GENERAL PURPOSE.

b.HIGH IMPACT.

FR11

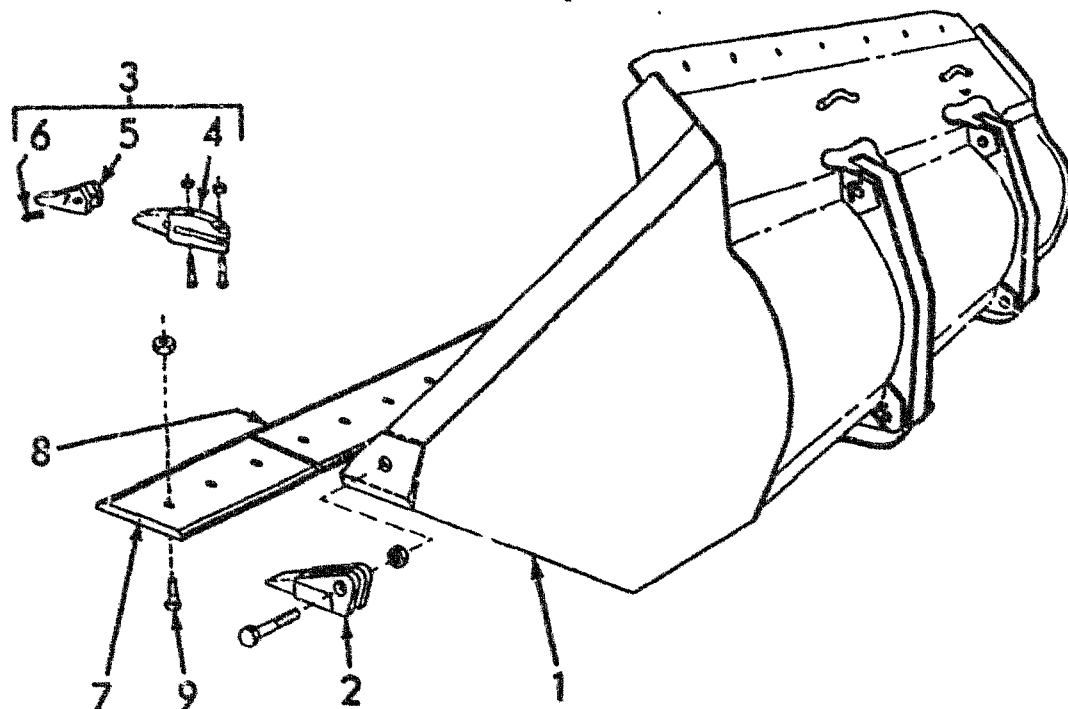
BUCKET ASSEMBLY - GENERAL PURPOSE
 BENNA-COMPLESSIVO - NORMALE
 GODET - CLASSIQUE
 KUBEL - ALLGEMEINE VERWENDUNG
 CUCHARRON - CLASICO

E314

3

Revised August 1988

E314(4)



T-80367

ITEM	PART NO.	QTY.	CODE	DESCRIPTION	DENOMINAZIONE
1	79067290	1	35B	BUCKET (3 CU.YD)	BENNA
2	79069597	1	501Q	SHANK	DENTE
			600B	RIGHT	DESTRO
	79069598	1	501Q	SHANK	DENTE
			600A	LEFT	SINISTRO
	79070375	2	40V	CAPSCREW	VITE
	79050076	2	10D	NUT	DADO
3	-----	7	242P	TIP, TOOTH	PUNTA
			600M	ORDER ITEM(S) 4-6	ORDINARE PARTIC.
4	79069599	7	501Q	SHANK	DENTE
	79048375	14	40V	CAPSCREW	VITE
	79048376	14	10D	NUT, M24	DADO
5	a70684378	9	242P	TIP, TOOTH	PUNTA
	b79069600	9	242P	TIP, TOOTH	PUNTA
6	a70199012	9	81P	PIN, SECURING	PERNO DI FISSAGGIO
	b70199012	9	81P	PIN, SECURING	PERNO DI FISSAGGIO
7	76011740	2	199C	EDGE, BUCKET CUTTING	COLTELLO BENNA
8	76011739	1	199C	EDGE, BUCKET CUTTING	COLTELLO BENNA
9	79042494	17	140B	BOLT	BULLONE
	12164521	17	10D	NUT, M24	DADO

a. GENERAL PURPOSE.
USO GENERALE.
USAGE GENERAL.
ALLGEMEINVERWENDUNG.
USO GENERAL.

b. HIGH IMPACT.
ALTA RESISTENZA.
TRES RESISTANT.
STARKER AUFSCHLAG.
MUY RESISTENTE.

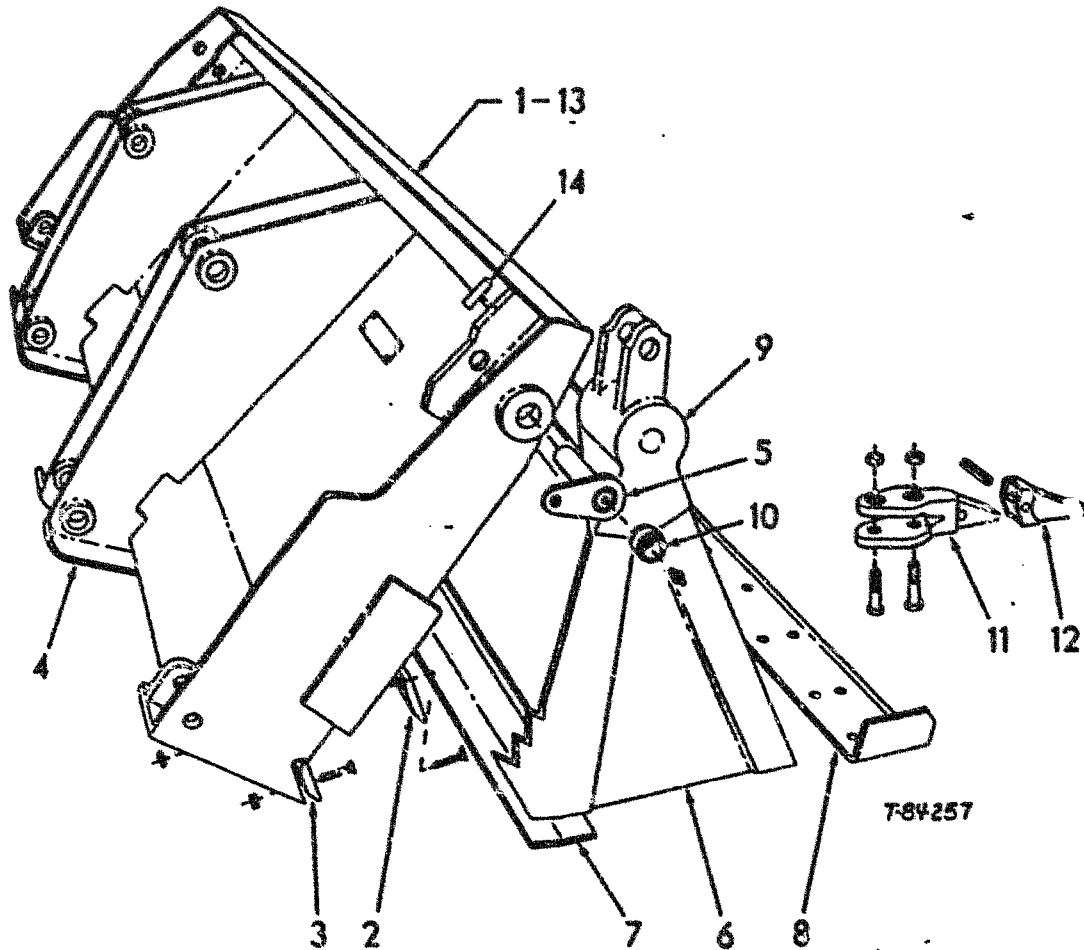
USAGE: 107" BUCKET WIDTH. BOLT ON TEETH; USO: BENNA DA 107". DENTI IMBULLONATI; USAGE:
GODET DE 107". DENTS BOULONNEES; VERWENDUNG: 107" ZOLL KUBELBREITE, ANSCHRAUBZAHNE; USO:
CUCHARON DE 107". DIENTES EMPERNADAS

FR11

BUCKET ASSEMBLY
BENNA
GODET
KUBEL
CUCHARON

E314

4



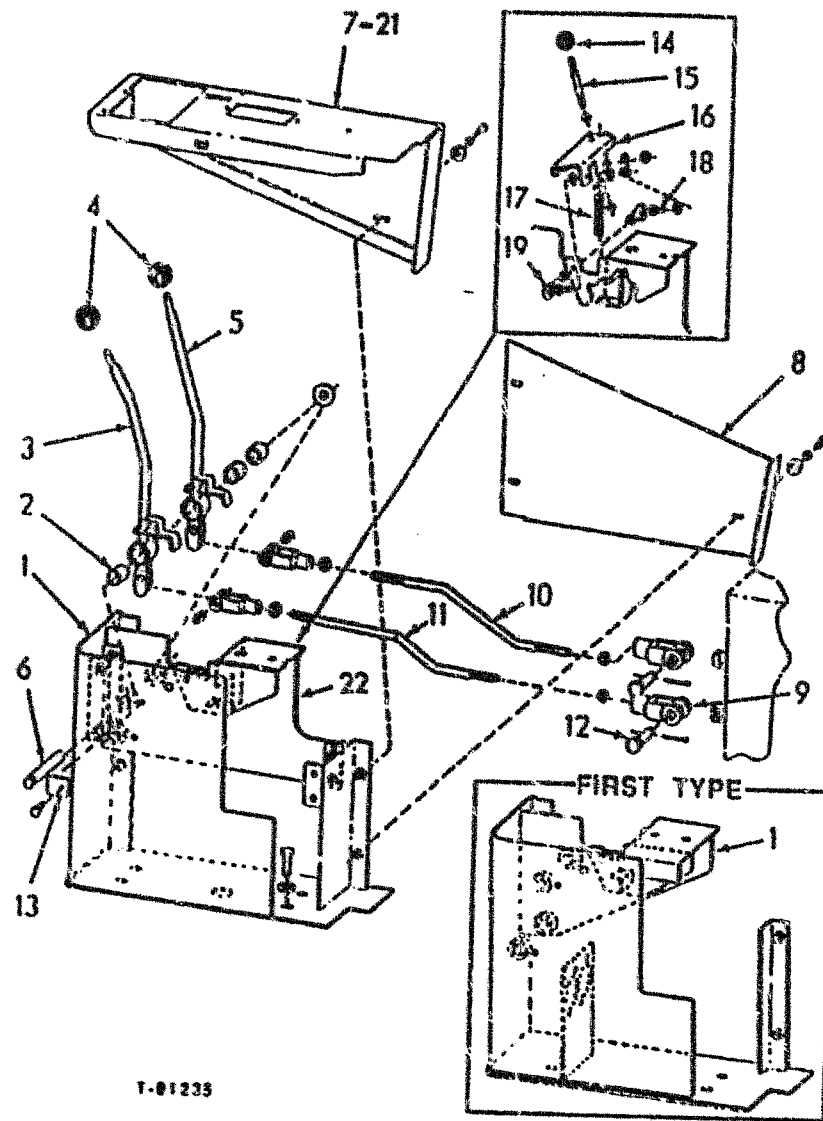
ITEM	PART NO.	QTY.	CODE	DESCRIPTION	DENOMINAZIONE
1	73144386	1	53V	MOLDBOARD	VERSOIO
			600L	INCLUDES ITEM(S)2-4	INCLUDE PARTIC.(1)
2	70654266	1	108B	EDGE	BORDO RIGIDO
	70924797	12	140B	BOLT, 3/4"NC X 2"	BULLONE
	70911030	12	100	NUT, 3/4"NC	DADO
3	73077682	2	108B	EDGE	BORDO RIGIDO
	70924797	6	140B	BOLT, 3/4"NC X 2"	BULLONE
	70911030	6	100	NUT, 3/4"NC	DADO
4	-----	4	295S	SHOE	SUOLA
			600T	REQUIRES WELDING	DA SALDARE
5	73077669	2	80P	PIN	FERNO
			600R	INCL. HARDWARE	INCL. VITERIA
	70914465	2	60I	FITTING, LUBRICATION	INGRASSATORE
				1/8"NPT	
	70916309	2	40V	CAPSCREW, 1/2"NC X 3/4"	VITE
6	73144310	1	501T	CLAM	BENNA MORDENTE
			600L	INCLUDES ITEM(S)8-11	INCLUDE PARTIC.(1)
7	-----	1	108B	EDGE	BORDO RIGIDO
			600H	REAR	POSTERIORE
			600T	REQUIRES WELDING	DA SALDARE
8	73144312	1	108B	EDGE	BORDO RIGIDO
			600G	FRONT	ANTERIORE
			600T	REQUIRES WELDING	DA SALDARE
9	73077679	2	140C	HINGE	CERNIERA
			600T	REQUIRES WELDING	DA SALDARE
10	70653253	4	95B	BUSHING	BOCCOLA
			600T	REQUIRES WELDING	DA SALDARE
11	70654132	9	501Q	SHANK	DENTE
	70921597	9	40V	CAPSCREW, 5/8"NC X 3"	VITE
	70928043	9	40V	CAPSCREW,	VITE
				5/8"NC X 3-1/2"	
	70911029	18	100	NUT, 5/8"NC	DADO
12	70654172	9	242P	TIP, TOOTH	PUNTA
	70918245	9	81P	PIN, SECURING	PERNO DI FISSAGGIO
				1/2"NC X 2-1/2"	
13	70654127	2	8D	DECAL	DECALCOMANIA
14	73144319	1	8D	DECAL	DECALCOMANIA

USAGE: SPECIAL EQUIPMENT; USO: EQUIPAGGIAMENTO SPECIALE; USAGE: EQUIPEMENT SPECIAL;
 VERWENDUNG: SONDERAUSRUSTUNG; USO: EQUIPO ESPECIAL

FR11

MULTIPURPOSE BUCKET ASSY 106" WIDTH
 BENNA MULTIPURPOSE
 GODET A USAGE MULTIPLE
 MEHRZWECKKUBEL-
 CUCHARON DE USO MULTIPLE

E314/2



T-81235

USAGE: 2 SPOOL VALVE

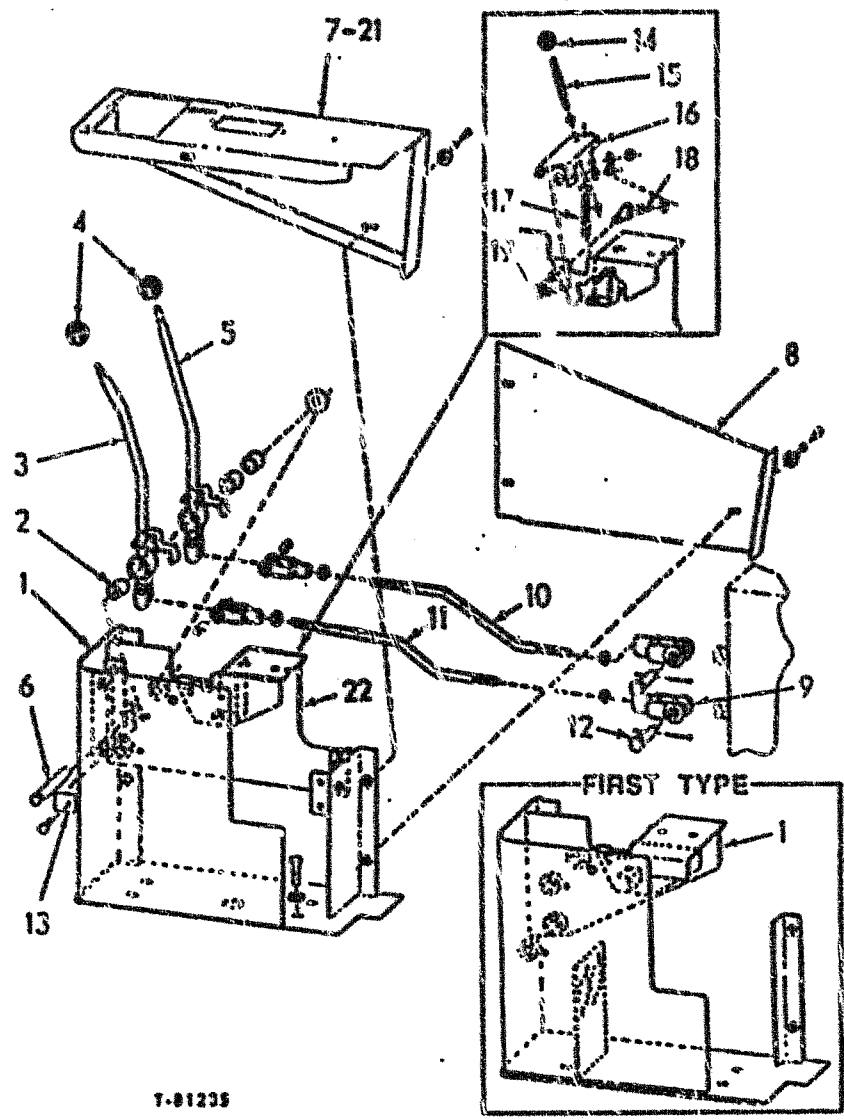
ITEM	PART NO.	QTY.	LEX.	DESCRIPTION
1	73071969	1	244C	CONSOLE
			600L	INCLUDES ITEM(S) 20
			600X	PRIOR TO UNIT NO.
	70920583	4	40V	CAPSCREW, 1/2"NC X 1-1/2"
	76017280	1	244C	CONSOLE
			600Y	UNIT NO. AND UP
	70677008	4	131R	WASHER
2	73007065	3	95B	BUSHING
	70910255	1	131R	WASHER, 3/4"
	70915874	1	131R	WASHER
			600P	AS REQUIRED
3	73072359	1	45L	LEVER
			600L	INCLUDES ITEM(S) 2
			600R	INCL. HARDWARE
	70917666	1	86F	YOKE, 1/2"
	70922419	1	81P	PIN, SECURING 1/2" X 1-1/8"
4	73001171	2	150P	KNOB
5	73072361	1	45L	LEVER
			600L	INCLUDES ITEM(S) 2
			600R	INCL. HARDWARE
	70917666	1	86F	YOKE
	70922419	1	81P	PIN, SECURING 1/2" X 1-1/8"
6	73057869	1	16A	SHAFT
7	a76017108	1	265C	COVER (L102(3))
			600X	PRIOR TO UNIT NO. 530338
	70933990	3	40V	CAPSCREW, 1/4"NC X 1/2"
	70928190	3	131R	WASHER
8	a73072364	1	265C	COVER
	70933990	3	40V	CAPSCREW, 1/4"NC X 1/2"
	70928190	3	131R	WASHER

FR11

BUCKET & BOOM CONTROLS

E325

REVISED NOVEMBER 1990



T-81235

ITEM PART NO. QTY. LEX. DESCRIPTION

9	70917666	2	86F	YOKE
10	73057201	1	90A	ROD
	70913177	2	10D	NUT, 1/2"NF
11	73057203	1	90A	ROD
	70913177	2	10D	NUT, 1/2"NF
12	73001565	2	80P	PIN
	70900806	2	81P	PIN, SECURING, 1/8" X 1" OR
	10734601	2	81P	PIN, SECURING
13	73057868	1	105P	PLATE
	70927541	1	40V	CAPSCREW, 1/4"NC X 3/4"
14	70659075	1	150P	KNOB
15	73071881	1	90A	ROD
	70910329	2	10D	NUT, 3/8"NF
16	73071895	1	105P	PLATE
17	70088428	1	100M	SPRING
18	70653570	1	210P	STUD
			600N	SERVICED AS A UNIT
	70677006	1	131R	WASHER
	70929156	1	131R	WASHER
	70924332	1	257C	LOCKNUT, 3/8"NF
19	73112547	1	210P	STUD
			600N	SERVICED AS A UNIT
	70933623	1	10D	NUT, 3/8"NC
	70677006	1	131R	WASHER
	70929156	1	131R	WASHER
	70924332	1	257C	LOCKNUT, 3/8"NF
20	73054504	6	54I	INSERT
21	a79073804	1	105P	PLATE, INSTRUCTION
22	73017280	1	105P	PLATE
			600Y	UNIT NO.
	70922262	4	40V	CAPSCREW, 3/8"NC X 7/8" AND UP

a. UNITS EQUIPPED WITH CANOPY.

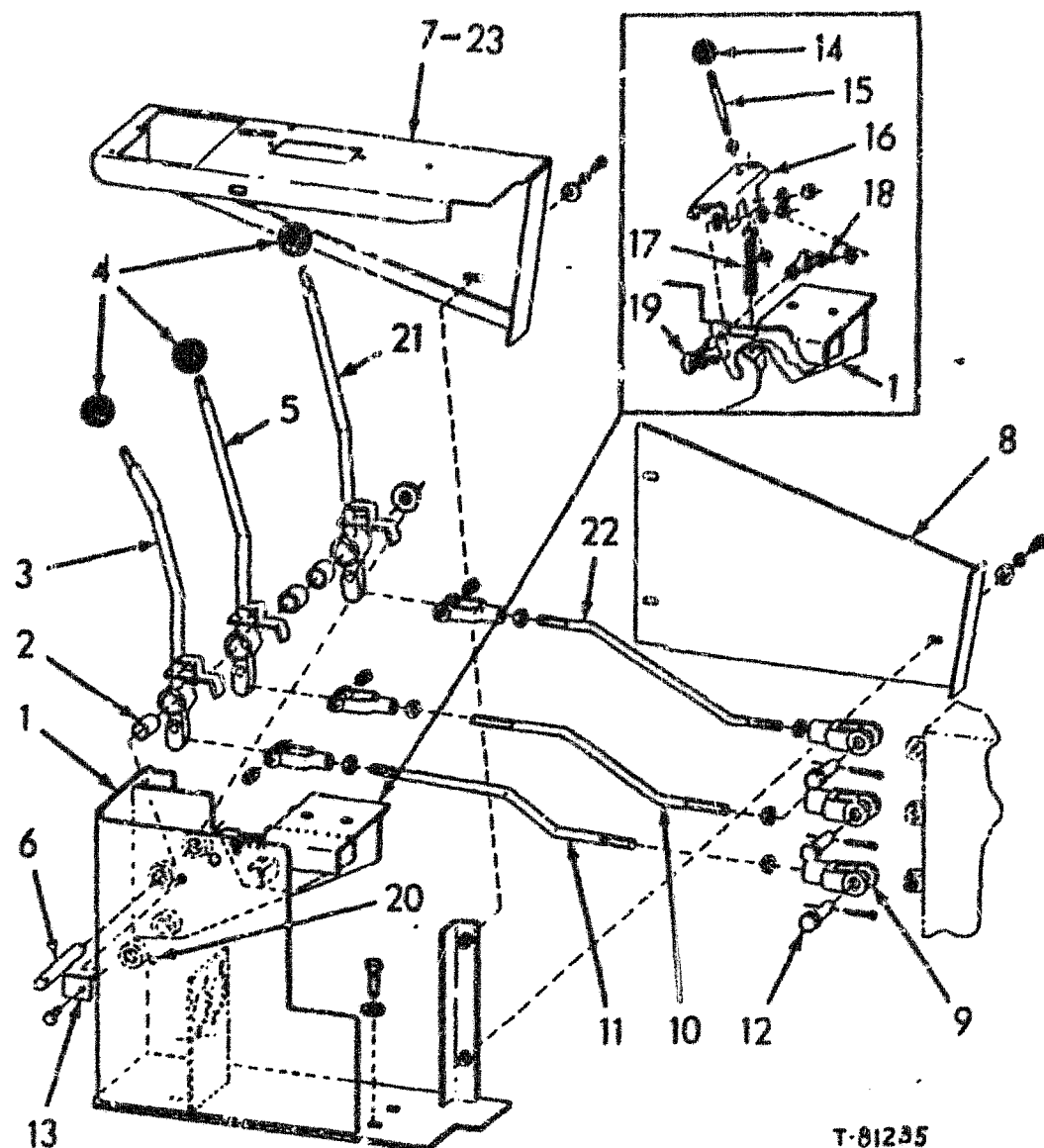
USAGE: 2 SPOOL VALVE

FR11

BUCKET & BOOM CONTRCLS

E325

REVISED NOVEMBER 1990



T-81295

ITEM	PART NO.	QTY.	CODE	DESCRIPTION	DEGNOMIAZIONE
1	73071969	1	244C	CONSOLE	CONSOLE
	600L			(INCLUDES ITEM(S) 20)	(INCLUDE PARTIC. 11)
	70920583	4	40V	CAPSCREW, 1/2"NC X 1-1/2"	VITE
	70677008	4	131R	WASHER	ROSETTA
2	73007065	3	93B	BUSHING	BUCOLA
	70910255	1	131R	WASHER, 3/4"	ROSETTA
	70915874	1	131R	WASHER	ROSETTA
	600P			AS REQUIRED	DEFINITO AL MONTAGGIO
3	73072359	1	45L	LEVER	LEVA
	600R			INCL. HARDWARE	INCL. VITERIA
	70917666	1	86F	YOKE	FORCELLA
	70922419	1	81P	PIN, SECURING 1/2" X 1-1/8"	PERNO DI FISSAGGIO
4	73001171	3	150P	KNOB	POMELLO
5	73072361	1	45L	LEVER	LEVA
	600R			INCL. HARDWARE	INCL. VITERIA
	70917666	1	86F	YOKE	FORCELLA
	70922419	1	81P	PIN, SECURING 1/2" X 1-1/8"	PERNO DI FISSAGGIO
6	73057869	1	16A	SHAFT	ALBERO
7	a 73072363	1	263C	COVER	COPERCHIO
	70933578	3	40V	CAPSCREW, 1/4"NC X 3/4"	VITE
	70928190	3	131R	WASHER	ROSETTA
8	a 73072364	1	263C	COVER	COPERCHIO
	70933578	3	40V	CAPSCREW, 1/4"NC X 3/4"	VITE
	70928190	3	131R	WASHER	ROSETTA
9	70917666	3	86F	YOKE	FORCELLA
10	73057201	1	90A	ROD	ASTA
	70913177	2	100	NUT, 1/2"NF	DADO
11	73057203	1	90A	ROD	ASTA
	70913177	2	100	NUT, 1/2"NF	DADO
12	73001565	3	80P	PIN	PERNO
	70918452	3	81P	PIN, SECURING, 1/8" X 1"	PERNO DI FISSAGGIO
13	73057868	1	105P	PLATE	PIASTRA
	70928182	1	40V	CAPSCREW, 1/4"NC X 1/2"	VITE
14	70659075	1	150P	KNOB	POMELLO

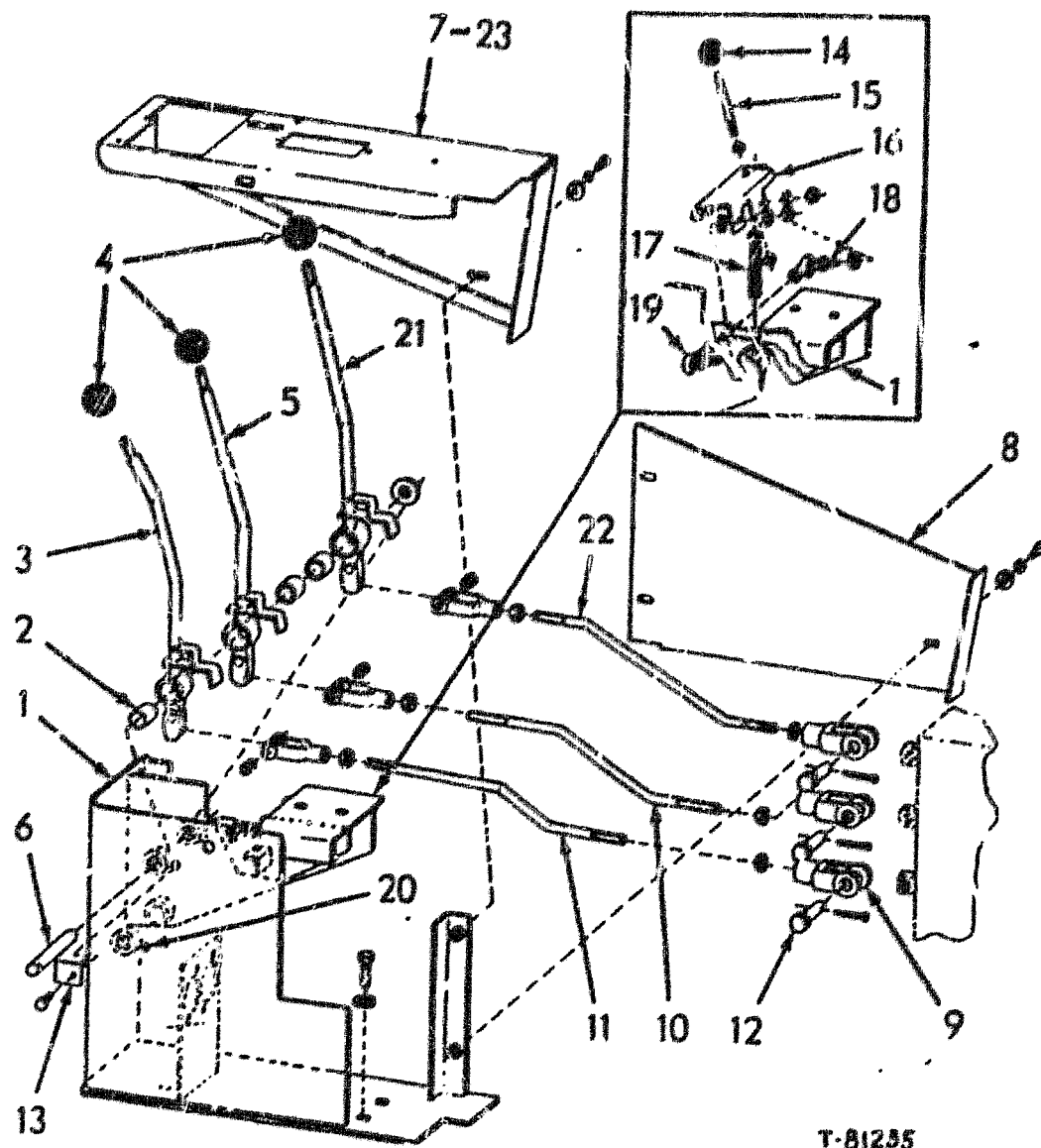
USAGE: 3 SPOOL VALVE; USO: DISTRIBUTORE 3 CASSETTI; USAGE: DISTRIBUTEUR A 3 TIROIRS;
 VERWENDUNG: 3-WEGE VENTIL; USO: VALVULA DE 3 CARRETES

FR11

BUCKET & BOOM CONTROLS
 COMANDI BENNA E BRACCIO
 COMMANDES DU GODET ET FLECHE
 KUBEL- UND AUSLEGERSTEUERHEBEL
 MANDOS DEL CUCARON Y AGUILON

E325/1

Revised August 1988



T-81235

USAGE: 3 SPOOL VALVE; USO: DISTRIBUTORE 3 CASSETTI; USAGE: DISTRIBUTEUR A 3 TIROIRS;
 VERWENDUNG: 3-WEGE VENTIL; USO: VALVULA DE 3 CARRETES

ITEM	PART NO.	QTY.	CODE	DESCRIPTION	DENOMINAZIONE
15	73071881	1	90A	ROD	ASTA
	70910329	2	100	NUT, 3/8"NF	DADO
16	73071895	1	105P	PLATE	PIASTRA
17	70088428	1	100M	SPRING	MOLLA
18	70653570	1	210P	STUD	FRIGIONIERO
	600H			SERVICED AS A UNIT	FORNITO COME COMPLESS.
	70677006	1	131R	WASHER	ROSETTA
	70924332	1	257C	LOCKNUT, 3/8"NF	CONTRODADO
19	73112547	1	210P	STUD	FRIGIONIERO
	600H			SERVICED AS A UNIT	FORNITO COME COMPLESS.
	70933623	1	100	NUT, 3/8"NF	DADO
	70677006	1	131R	WASHER	ROSETTA
	70924332	1	257C	LOCKNUT, 3/8"NF	CONTRODADO
20	73054504	8	54I	INSERT	INSERTO
21	73072360	1	45L	LEVER	LEVA
	600R			INCL. HARDWARE	INCL. VITERIA
	70917666	1	86F	YOKE	FORCELLA
	70922419	1	81P	PIN, SECURING 1/2" X 1-1/8"	PERNO DI FISSAGGIO
22	73057202	1	90A	ROD	ASTA
	70913177	2	100	NUT, 1/2"NF	DADO
23	a79073805	1	105P	PLATE, INSTRUCTION	PIASTRA

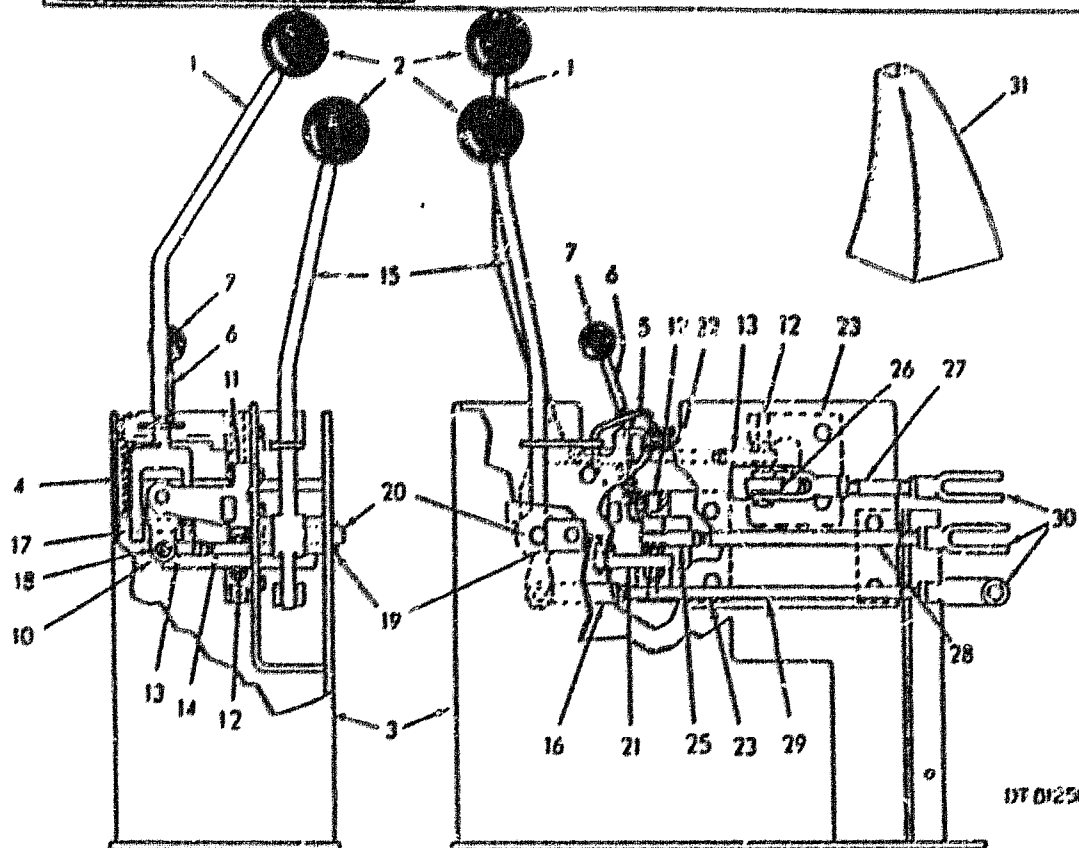
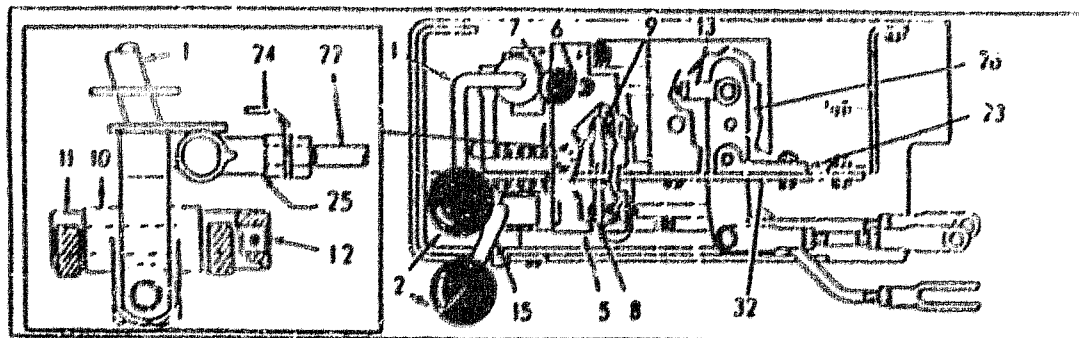
a. UNITS EQUIPPED WITH CANOPY.

FR11

BUCKET & BOOM CONTROLS
 COMANDI BENNA E BRACCIO
 COMMANDES DU GODET ET FLECHE
 KUBEL- UND AUSLEGERSTEUERHEBEL
 MANDOS DEL CUCHARON Y AGUILON

E325/1

Revised August 1988



DT 01251

USAGE: SPECIAL EQUIPMENT; Prior to Unit No. 530305.

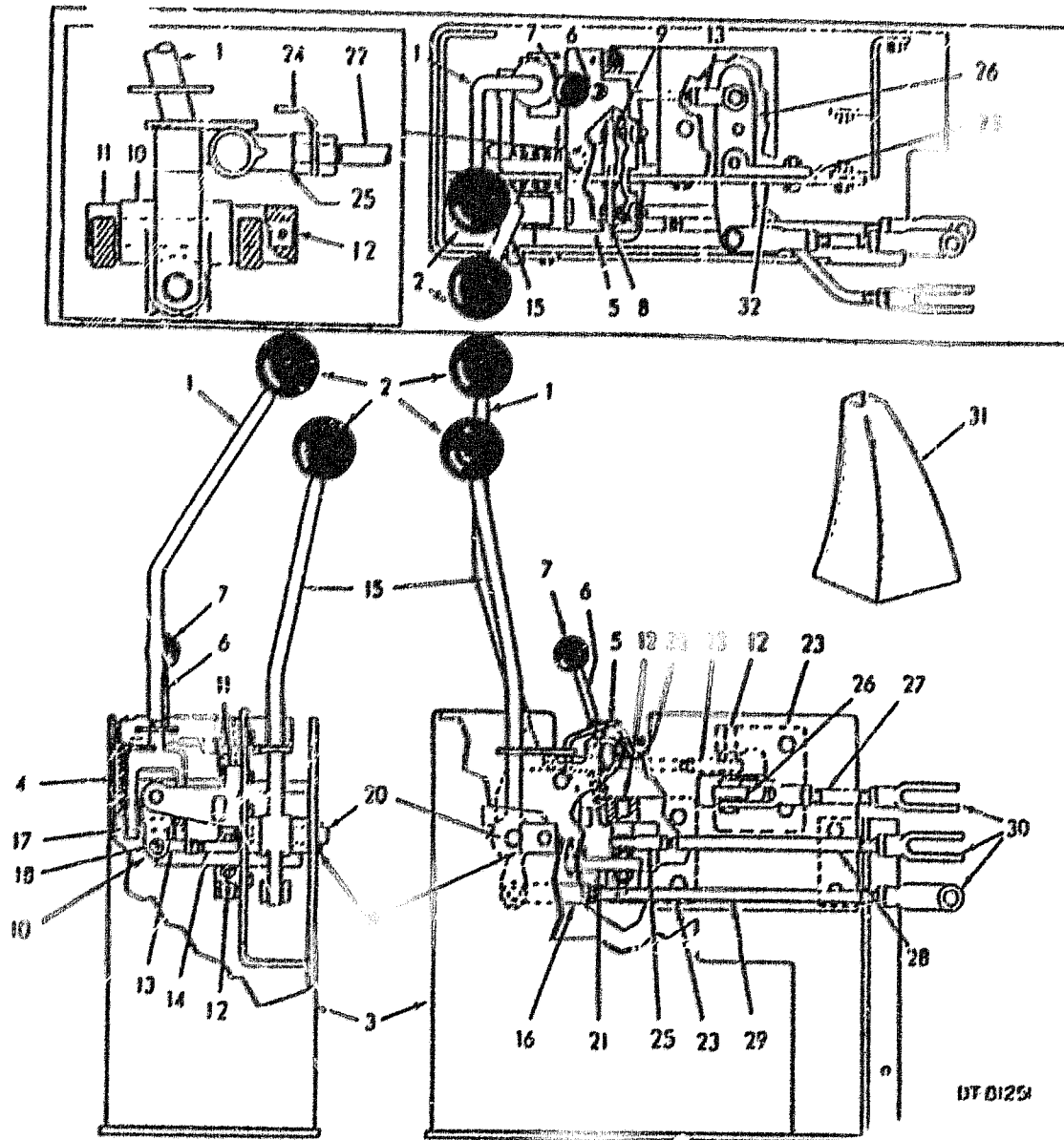
ITEM	PART NO.	QTY.	CODE	DESCRIPTION	DEGNOMIAZIONE
1	73076111	1	45L	LEVER	LEVA
2	73001171	2	150P	KNOB	POMELLO
3	76017318	1	244C	CONSOLE	CONSOLE
			600A	INCL. HARDWARE	INCL. VITERIA
	73054504	7	10D	NUT	DADO
	70920583	4	40V	CAPSCREW, 1/2"HC X 1-1/2"	VITE
	70677008	4	131R	WASHER	ROSETTA
4	70088428	1	100M	SPRING	MOLLA
5	73071895	1	105P	PLATE	PIASTRA
6	73071881	1	90A	ROD	ASTA
	70910329	2	10D	NUT, 3/8"NF	DADO
7	70659075	1	150P	KNOB	POMELLO
8	73112547	1	340C	BEARING	CUSCINETTO
	70910123	1	10D	NUT, 3/8"NF	DADO
	70929156	1	131R	WASHER	ROSETTA
	70677006	1	131R	WASHER	ROSETTA
	70924332	1	257C	LOCKNUT, 3/8"NF	CONTRODADO
9	70653570	1	9D	JOINT	UNIONE
	70929156	1	131R	WASHER	ROSETTA
	70677006	1	131R	WASHER	ROSETTA
	70924332	1	257C	LOCKNUT, 3/8"NF	CONTRODADO
10	77057108	1	45L	LEVER	LEVA
11	70661454	1	80M	BRACKET	MENSOLA
	70921076	3	40V	CAPSCREW, 3/8"HC X 1-1/4"	VITE
	70933623	3	10D	NUT, 3/8"NC	DADO
12	70661455	3	80P	PIN	PERNO
	70915797	3	80P	PIN, 3/16" X 1-1/4"	PERNO
13	70617932	2	340C	BEARING	CUSCINETTO
	70925632	1	40V	CAPSCREW, 3/8"NF X 1-3/4"	VITE
	73047343	1	131R	WASHER	ROSETTA
	70919219	1	257C	LOCKNUT, 3/8"NF	CONTRODADO

FR11

BUCKET & BOOM CONTROLS
 COMANDI BENNA E BRACCIO
 COMMANDES DU GODET ET FLECHE
 KUBEL- UND AUSLEGERSTEUERHEBEL
 MANDOS DEL CUCHARON Y AGUILON

E325/2

REVISED OCTOBER 1990



USAGE: SPECIAL EQUIPMENT; Prior to Unit No. 530305.

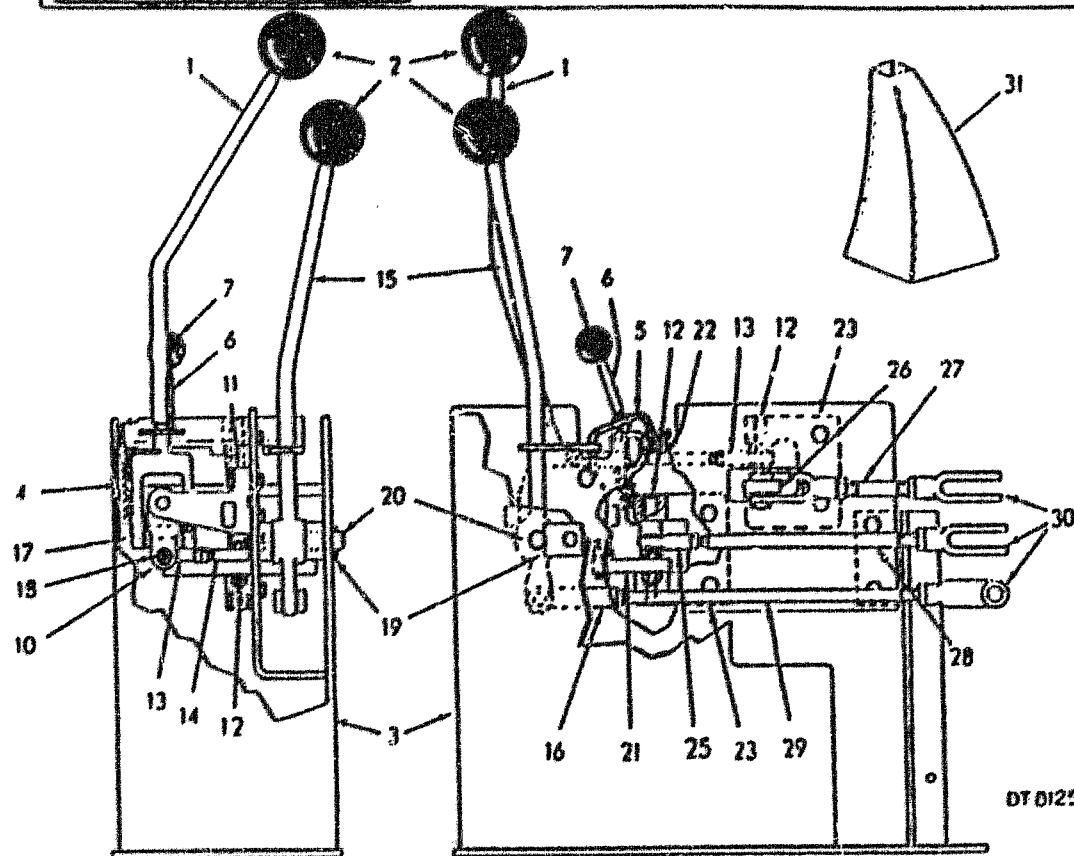
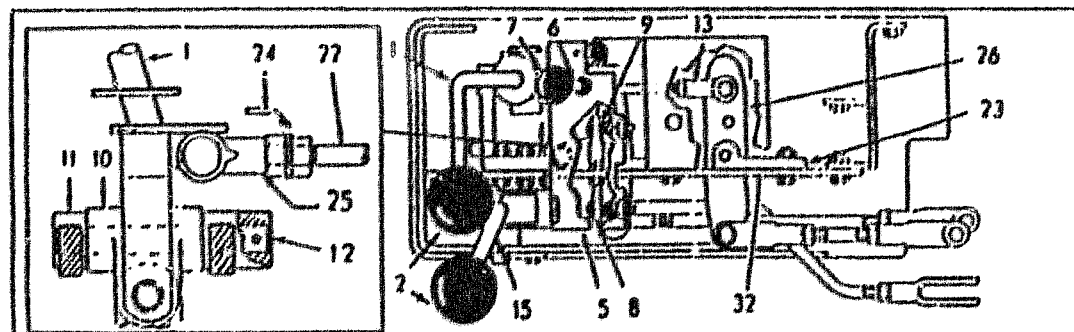
ITEM	PART NO.	QTY.	CODE	DESCRIPTION	DEINOMINAZIONE
14	70639916	1	61E	END	ESTREMITA
	70910329	1	10D	NUT, 3/8"NF	DADO
	70925632	1	40V	CAPSCREW, 3/8"NF X 1-3/4"	VITE
	70911115	1	1314	WADIER	ROSETTA
	70919219	1	257C	LOCKNUT, 3/8"NF	CONTRODADO
15	a73071959	1	45L	LEVER	LEVA
			600R	INCL. HARDWARE	INCL. VITERIA
	73007065	1	95B	BUSHING	BOCCOLA
	70922419	1	80P	PIN, 1/2" X 1-1/8"	PERNO
16	70917666	1	86F	YOKE	FORCELLA
17	70661456	1	80P	PIN	PERNO
	70915797	1	81P	PIN, SECURING 3/16" X 1-1/4"	PERNO DI FISSAGGIO
18	73057339	1	75D	SPACER	DISTANZIALE
	70921565	1	40V	CAPSCREW, 3/8"NC X 1-1/2"	VITE
19	a73057868	1	105P	PLATE	PIASTRA
	a70927541	1	40V	CAPSCREW, 1/4"NC X 3/4"	VITE
20	a73071957	1	16A	SHAFT	ALBERO
21	73071973	1	45L	LEVER	LEVA
			600Z	INCLUDES BUSHING(S)	INCLUDES BOCCOLATE
	70928434	2	95B	BUSHING	BOCCOLA
22	73057081	1	90A	ROD	ASTA
	70910329	2	10D	NUT, 3/8"NF	DADO
23	73058439	2	80M	BRACKET	MENSOLA
	70921076	4	40V	CAPSCREW, 3/8"NC X 1-1/4"	VITE
	70933623	4	10D	NUT, 3/8"NC	DADO
24	73076559	1	105P	PLATE	PIASTRA
25	70653570	3	61E	END	ESTREMITA
	70919219	3	257C	LOCKNUT, 3/8"NF	CONTRODADO
26	73058553	1	45L	LEVER	LEVA
			600Z	INCLUDES BUSHING(S)	INCLUDES BOCCOLATE
	70928434	2	95B	BUSHING	BOCCOLA

FR11

BUCKET & BOOM CONTROLS
 COMANDI BENNA E BRACCIO
 COMMANDES DU GODET ET FLECHE
 KUBEL- UND AUSLEGERSTEUERHEBEL
 HANDOS DEL CUCHARON Y AGUILON

E325/2

REVISED OCTOBER 1990



DT 81251

USAGE: SPECIAL EQUIPMENT; Prior to Unit No. 561264.

ITEM	PART NO.	QTY.	CODE	DESCRIPTION	DETERMINAZIONE
27	73057078	1	90A	ROD	ASTA
	70917648	1	80P	PIN	PERNO
	70900806	1	81P	PIN, SECURING	PERNO DI FISSAGGIO
	70919219	1	257C	LOCKNUT, 3/8"NF	CONTRODADO
	70913177	1	10D	NUT, 1/2"NF	DADO
28	73073401	1	90A	ROD	ASTA
	70919219	1	257C	LOCKNUT, 3/8"NF	CONTRODADO
	70913177	1	10D	NUT, 1/2"NF	DADO
29	a73073402	1	90A	ROD	ASTA
	70913177	2	10D	NUT, 1/2"NF	DADO
30	70917666	3	86F	YOKE	FORCELLA
31	76008250	1	334C	BOOT, DUST	CUFFIA PARAPOLVERE
32	76017297	1	300S	SUPPORT	SUPPORTO
	70922262	4	40V	CAPSCREW, 3/8"NCX7/8"	VITE
	70677006	4	131R	WASHER	ROSETTA

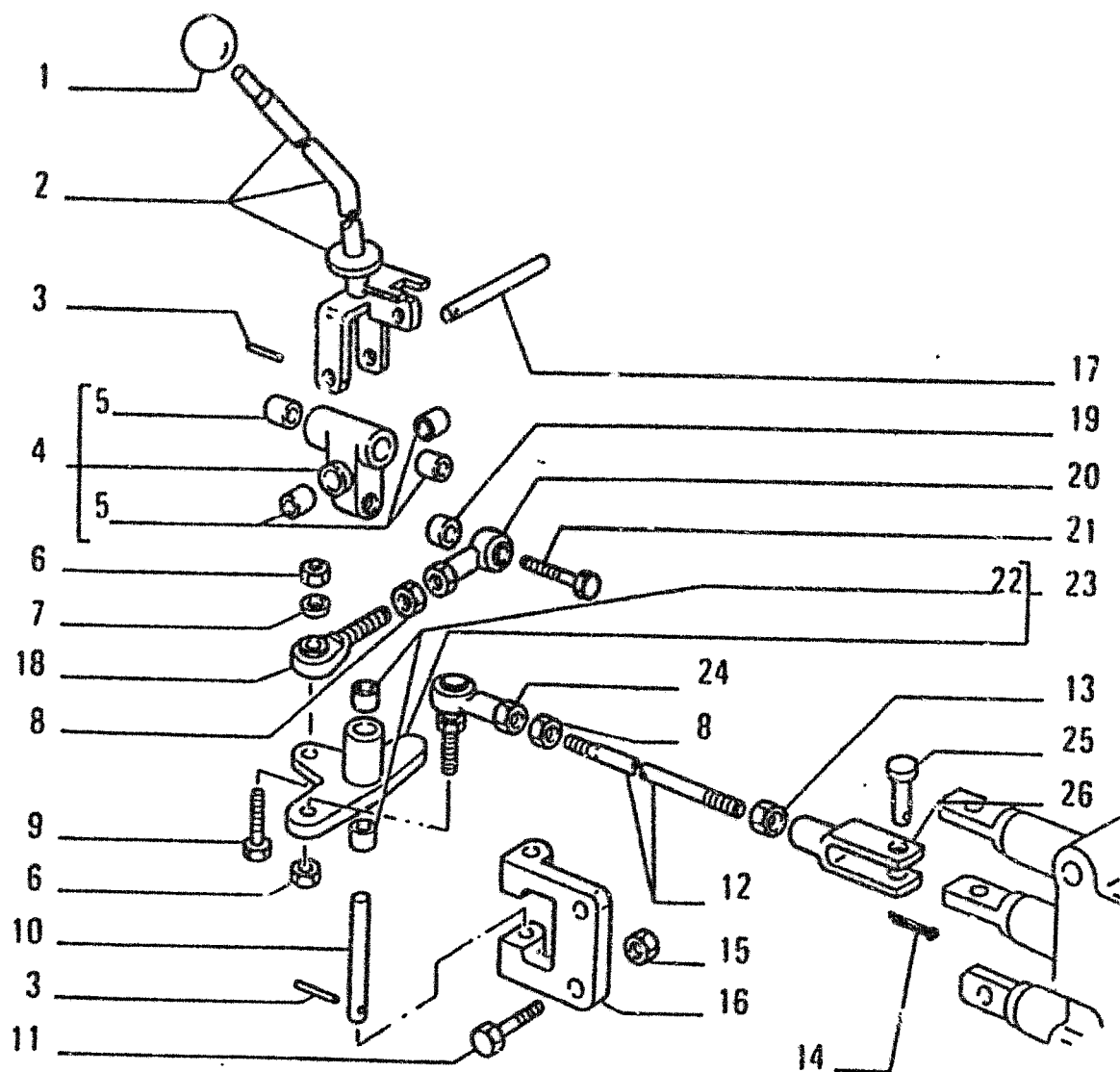
•UNITS EQUIPPED WITH 3-SPOOL VALVE.
 VNITA CON DISTRIBUTORE A 3 CASSETTI.
 ENGINES EQUIPES AVEC DISTRIBUTEUR A 3 TIROIRS.
 EINHEITEN MIT 3-WEGE VENTIL.
 MAQUINAS EQUIPADAS CON VALVULA DE 3 CARRETES.

FR11

BUCKET & BOOM CONTROLS
 COMANDI BENNA E BRACCIO
 COMMANDES DU GODET ET FLECHE
 KUBEL- UND AUSLEGERSTEUERHEBEL
 MANDOS DEL CUCHARON Y AGUILON

E325/2

REVISED OCTOBER 1990



USAGE: Units with three spool valve and single lever control. Unit No. 530305 and Up.

ITEM	PART NUMBER	QTY	TRANS CODE	DESCRIPTION	DESCRIZIONE
1	73001171	1	150P	KNOB	POMELLO
2	73076111	1	45L	LEVER	LEVA
3	70915797	2	200S	PIN	SPINA
4	73057108	1	45L	LEVER - ASSEMBLY	LEVA - COMPLETO
5	70655215	4	95B	BUSHING	BOCCOLA
6	70919219	2	10D	NUT	DADO
7	70911115	1	131R	WASHER	ROSETTA
8	70910329	2	10D	NUT	DADO
9	70925632	1	40V	SCREW	VITE
10	70661455	1	80P	PIN	PERNO
11	70921076	2	40V	SCREW	VITE
12	73073401	1	142T	TIEROD	TIRANTE
13	70913177	1	10D	NUT	DADO
14	70900806	1	270C	COTTER PIN	COPIGLIA
15	70933623	2	10D	NUT	DADO
16	73058439	1	225S	BRACKET	STAFFA
18	70639916	1	165S	ARTICULATION	SNODO
19	73057339	1	75D	SPACER	DISTANZIALE
20	70617932	1	165S	ARTICULATION	SNODO
21	70921565	1	40V	SCREW	VITE
22	70928434	2	95B	BUSHING	BOCCOLA
23	73071973	1	45L	LEVER - ASSEMBLY	LEVA - COMPLETO
24	70653570	1	165S	ARTICULATION	SNODO
25	70917648	1	80P	PIN	PERNO
26	70917666	1	61E	END	ESTREMITA

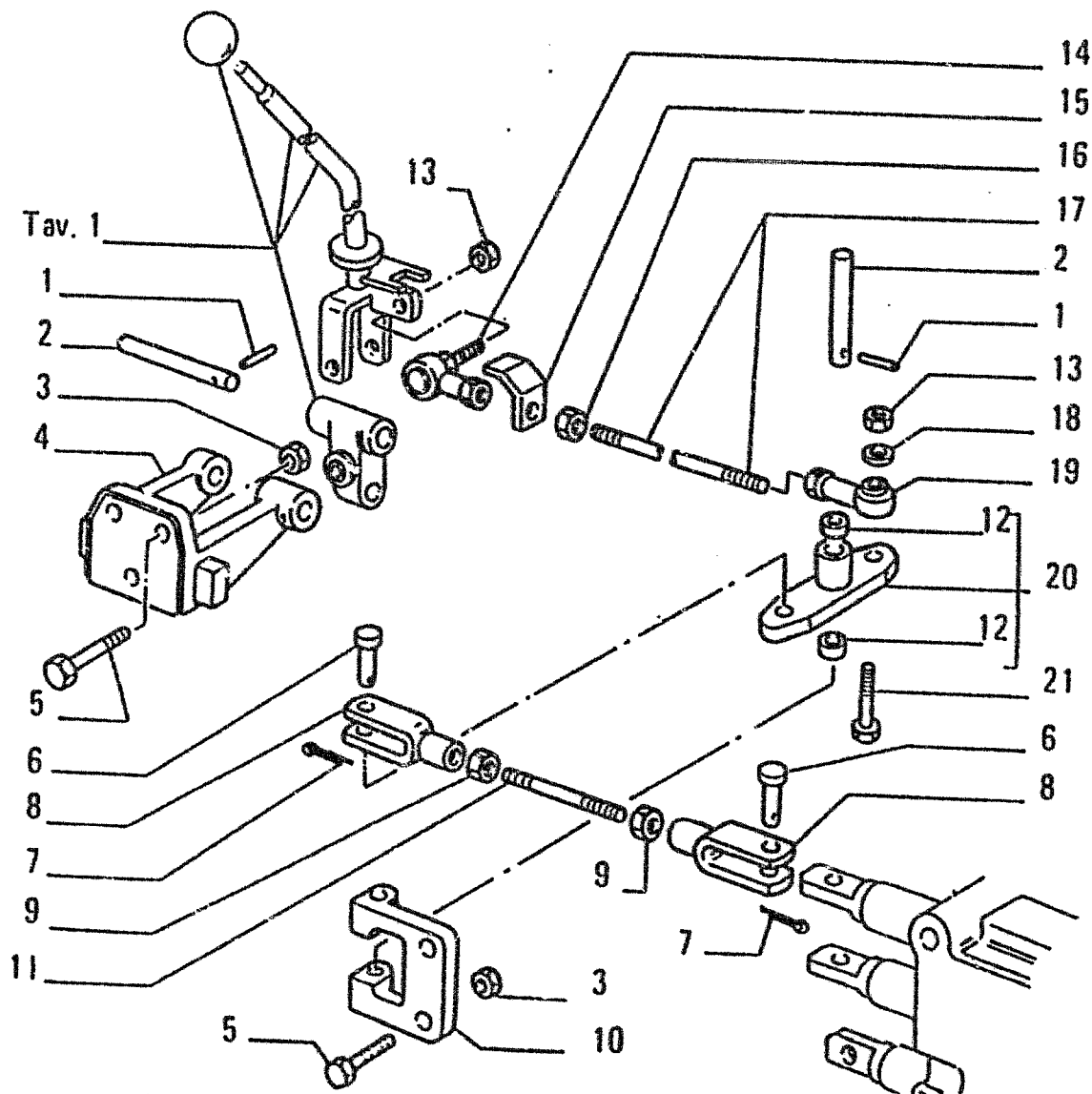
FR11

IMPLEMENT CONTROL

E325/3

1

ADDED OCTOBER 1990



USAGE: Units with three spool valve and single lever control. Unit No. 530305 and Up.

ITEM	PART NUMBER	QTY	TRANS CODE	DESCRIPTION	DESCRIZIONE
1	70915797	2	200S	PIN	SPINA
2	70661455	2	80P	PIN	PERNO
3	70933623	5	100	NUT	DADO
4	70661454	1	300S	SUPPORT	SUPPORTO
5	70921076	5	40V	SCREW	VITE
6	70917648	2	80P	PIN	PERNO
7	70900806	2	270C	COTTER PIN	COPIGLIA
8	70917666	2	61E	END	ESTREMITA'
9	70913177	2	100	NUT	DADO
10	73058439	1	300S	SUPPORT	SUPPORTO
11	73057078	1	142T	TIEROD	TIRANTE
12	70928434	2	95B	BUSHING	BOCCOLA
13	70919219	2	100	NUT	DADO
14	70653570	1	61E	END	ESTREMITA'
15	73076559	1	110P	PLAQUE	PIASTRINA
16	70910329	1	100	NUT	DADO
17	73057081	1	142T	TIEROD	TIRANTE
18	73047343	1	131R	WASHER	ROSETTA
19	70617932	1	61E	END	ESTREMITA'
20	73058553	1	45L	LEVER - ASSEMBLY	LEVA - COMPLETO
21	70925632	1	40V	SCREW	VITE

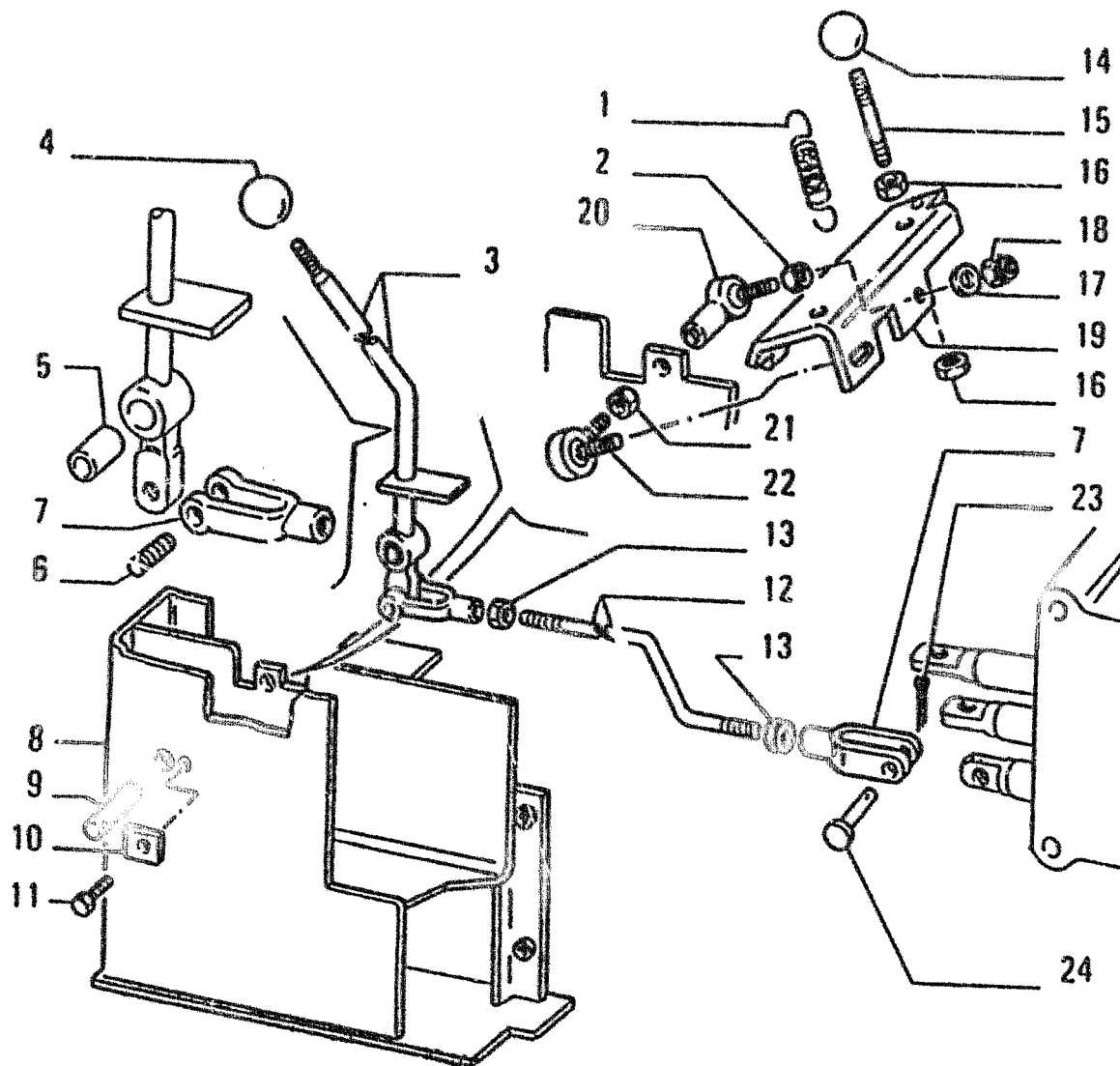
FR11

IMPLEMENT CONTROL

E325/3

2

ADDED OCTOBER 1990



USAGE: Units with three spool valve and single lever control. Unit No. 530305 and Up.

ITEM	PART NUMBER	QTY	TRANS CODE	DESCRIPTION	DESCRIZIONE
1	70088428	1		100M SPRING	MOLLA
2	70933623	2		10D NUT	DADO
3	73071959	1		45L LEVER - ASSEMBLY	LEVA - COMPLETO
4	73001171	1		150P POMMO	POMELLO
5	73007065	1		95B BUSHING	BOCCOLA
6	70922419	1		80P PIN	PERNO
7	70917666	2		61E END	ESTREMITA'
8	76016884	1		300S SUPPORT	SUPPORTO
9	73071957	1		80P PIN	PERNO
10	73057068	1		110P PLAQUE	PIASTRINA
11	70927541	1		40V SCREW	VITE
12	73073402	1		142T TIEROD	TIRANTE
13	70913177	2		10D NUT	DADO
14	70659075	1		150P KNOB	POMELLO
15	73071881	1		45L LEVER	LEVA
16	70910329	2		10D NUT	DADO
17	70929156	2		131R WASHER	ROSETTA
18	70924332	2		10D NUT	DADO
19	73071895	1		105P PLATE	PIASTRA
20	70653570	1		61E END	ESTREMITA'
21	70910123	1		10D NUT	DADO
22	73112547	1		61E END	ESTREMITA'
23	70900806	1		270C COTTER PIN	COPIGLIA
24	70917648	1		80P PIN	PERNO

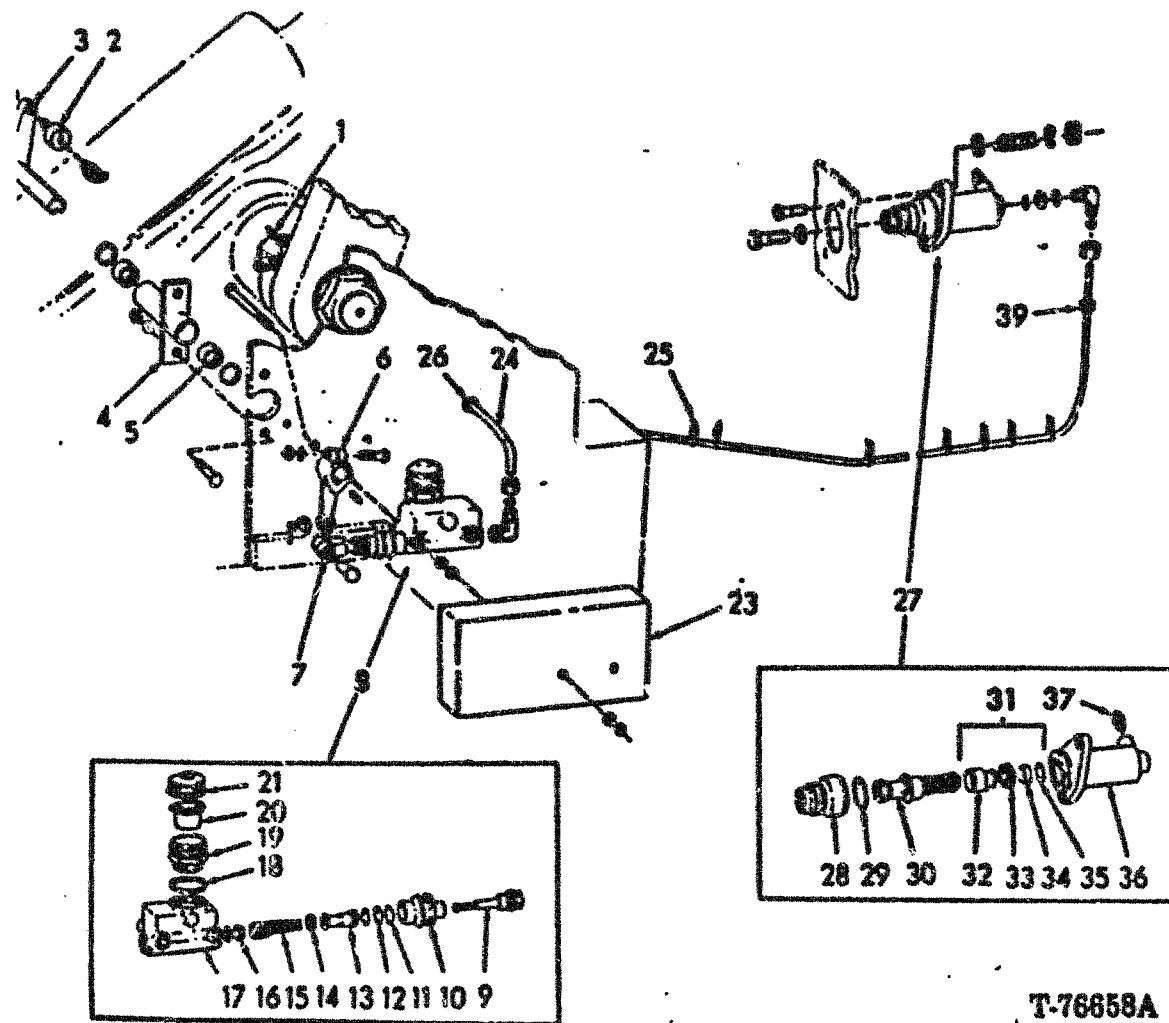
FR11

IMPLEMENT CONTROL SYSTEM

E325/3

3

ADDED OCTOBER 1990



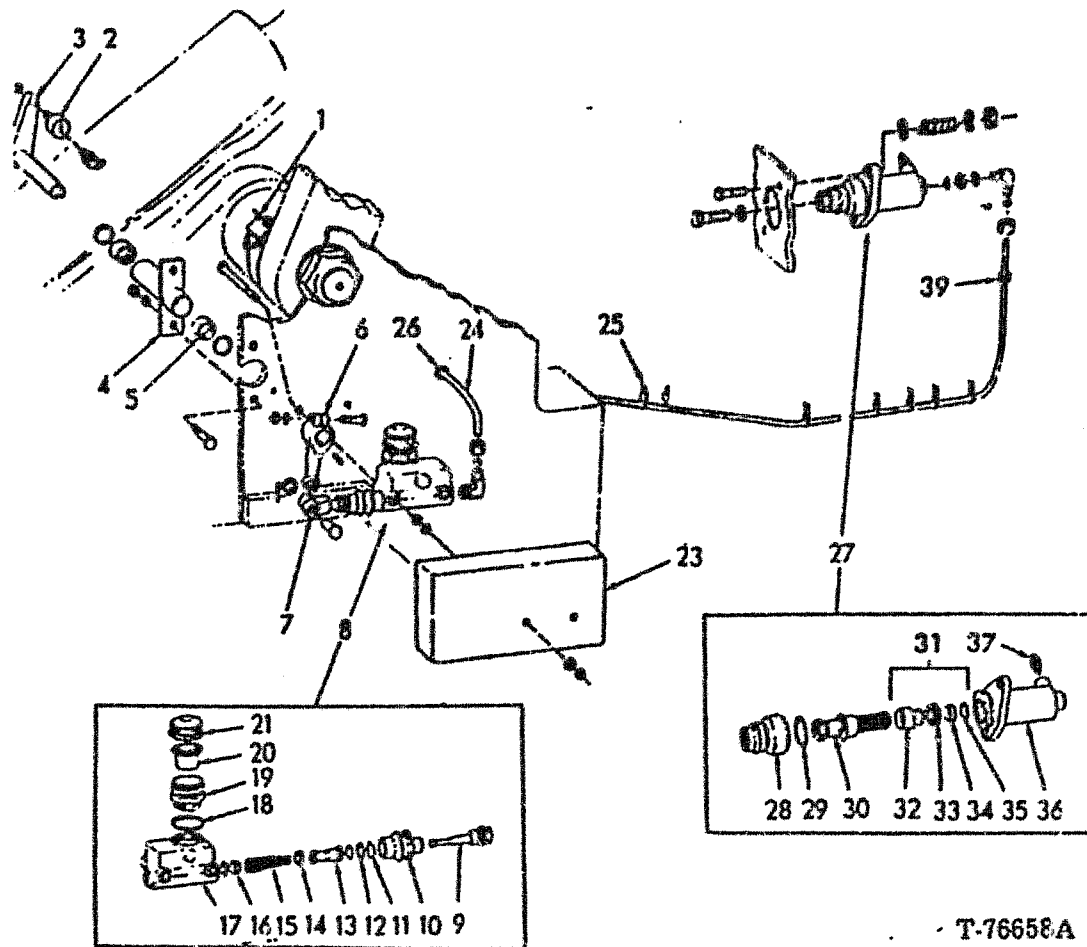
ITEM	PART NO.	QTY.	CODE	DESCRIPTION	DENOMINAZIONE
1	73058915	1	122M	CLAMP, RETAINING	MORSETTO FOSSAGGIO
			600R	INCL. HARDWARE	INCL. VITCRIA
	70921565	1	40V	CAPSCREW,	VITE
				3/8"NC X 1-1/2"	
2	70684010	1	40C	CAM	CAMMA
	70914678	1	132R	LOCKWASHER, 7/16"	ROSETTA DI SICUREZZA
	70911042	1	10D	NUT, 7/16"NF	DADO
	70917889	1	60I	FITTING, LUBRICATION	INGRASSATORE
3	73058913	1	45L	LEVER	LEVA
4	73058935	1	90M	BRACKET	MENSOLA
			600L	INCLUDES ITEM(S)5	INCLUDE PARTIC.(1)
	70921076	2	40V	CAPSCREW,	VITE
				3/8"NC X 1-1/4"	
	70929156	2	131R	WASHER	ROSETTA
	70933623	2	10D	NUT, 3/8"NC	DADO
5	70929241	2	341C	BEARING	CUSCINETTO
6	73058897	1	45L	LEVER	LEVA
	70925225	1	60L	KEY	LINGUETTA
				1/8" X 3/16" X 61/64"	
	70921565	1	40V	CAPSCREW,	VITE
				3/8"NC X 1-1/2"	
	70910324	1	10D	NUT, 3/8"NC	DADO
7	73058896	1	86F	YOKE	FORCELLA
	70910324	1	10D	NUT, 3/8"NC	DADO
	70917648	1	80P	PIN	PERNO
	70900806	1	81P	PIN, SECURING, 1/8" X 1"	PERNO DI FISSAGGIO
8	73076582	1	170C	CYLINDER, MASTER	CILINDRO MAESTRO
			600L	INCLUDES ITEM(S)9-21	INCLUDE PARTIC.(1)
	70927536	2	40V	CAPSCREW,	VITE
				3/8"NC X 3-3/4"	
	70929156	2	131R	WASHER	ROSETTA
	70933623	2	10D	NUT, 3/8"NC	DADO
9	73059079	1	238P	ROD, PUSH	PUNTALE
10	73076584	1	330C	BOOT	CUFFIA DI PROTEZIONE
			600V	REFER TO ITEM 22	RIFERIRSI AL PART.
11	73058978	1	60F	WIRE	FILO
			600V	REFER TO ITEM 22	RIFERIRSI AL PART.

USAGE: SINGLE LEVER CONTROL, SPECIAL EQUIPMENT; USO: VERSIONE MONOLEVA, EQUIPAGGIAMENTO SPECIALE; USAGE: DISTRIBUTEUR A LEVIER UNIQUE, EQUIPEMENT SPECIAL; VERWENDUNG: EINZELHEBELSTEUERUNG, SONDERAUSRUSTUNG; USC: VALVOLA CON UNA SOLA LEVA, EQUIPO ESPECIAL

FR11

AUTOMATIC BOOM KICKOUT
ARRESTO AUTOMATICO BRACCIO
ARRET AUTOMATIQUE DE LA FLECHE
AUTOMATISCHE AUSLEGERAUSSTOSSVORRICHTUNG
LIMITE AUTOMATICO DEL ALCE DEL AGUILON

E326/1



ITEM	PART NO.	QTY	CODE	DESCRIPTION	DENOMINAZIONE
12	-----	1	105P	PLATE	PIASTRA
			600V	REFER TO ITEM 22	RIFERIRSI AL PART.
13	-----	1	235S	PISTON	STANTUFFO
			600K	INCLUDES O-RING	INCLUDE O-RING
			600V	REFER TO ITEM 22	RIFERIRSI AL PART.
14	70929194	1	55A	O-RING	ANELLO DI TENUTA
	73058975	1	60S	CUP	SCODELLINO
			600V	REFER TO ITEM 22	RIFERIRSI AL PART.
15	73058974	1	100M	SPRING	MOLLA
16	-----	1	10V	VALVE	VALVOLA
			600V	REFER TO ITEM 22	RIFERIRSI AL PART.
17	-----	1	35S	HOUSING	SCATOLA
			600M	ORDER ITEM(S)	ORDINARE PARTIC.
18	73058981	1	123G	GASKET	GUARNIZIONE DI TENUTA
19	73058982	1	55T	ADAPTER	ADATTATORE
20	73058983	1	35D	DIAPHRAGM	DIAFRAMMA
21	73058984	1	20C	CAP	CALOTTA
22	73076583	1	500I	REPAIR KIT	CORREDO DI RIPAR.
			600L	INCLUDES ITEM(S)	INCLUDE PARTIC.(I)
				10-14,16	
23	73058931	1	265C	COVER	COPERCHIO
	70929156	2	131R	WASHER	ROSETTA
	70933623	2	10D	NUT, 3/8"NC	DADO
24	-----	-	206T	TUBE (108")	TUBO
			600V	REFER TO ITEM 40	RIFERIRSI AL PART.
	70928625	2	85G	ELBOW	GOMITO
			600R	INCL. HARDWARE	INCL. VITERIA
	70930350	2	501A	SLEEVE, 1/4"	MANICOTTO COMPRESIONE
	70930351	2	10D	NUT, 1/4"NF	DADO
	70921883	2	55A	O-RING	ANELLO DI TENUTA
25	70925094	6	501H	TIE	TIRANTE
				OR	
	08296124	6	501H	TIE	TIRANTE
26	70925425	1	500J	GROMMET	ANELLO

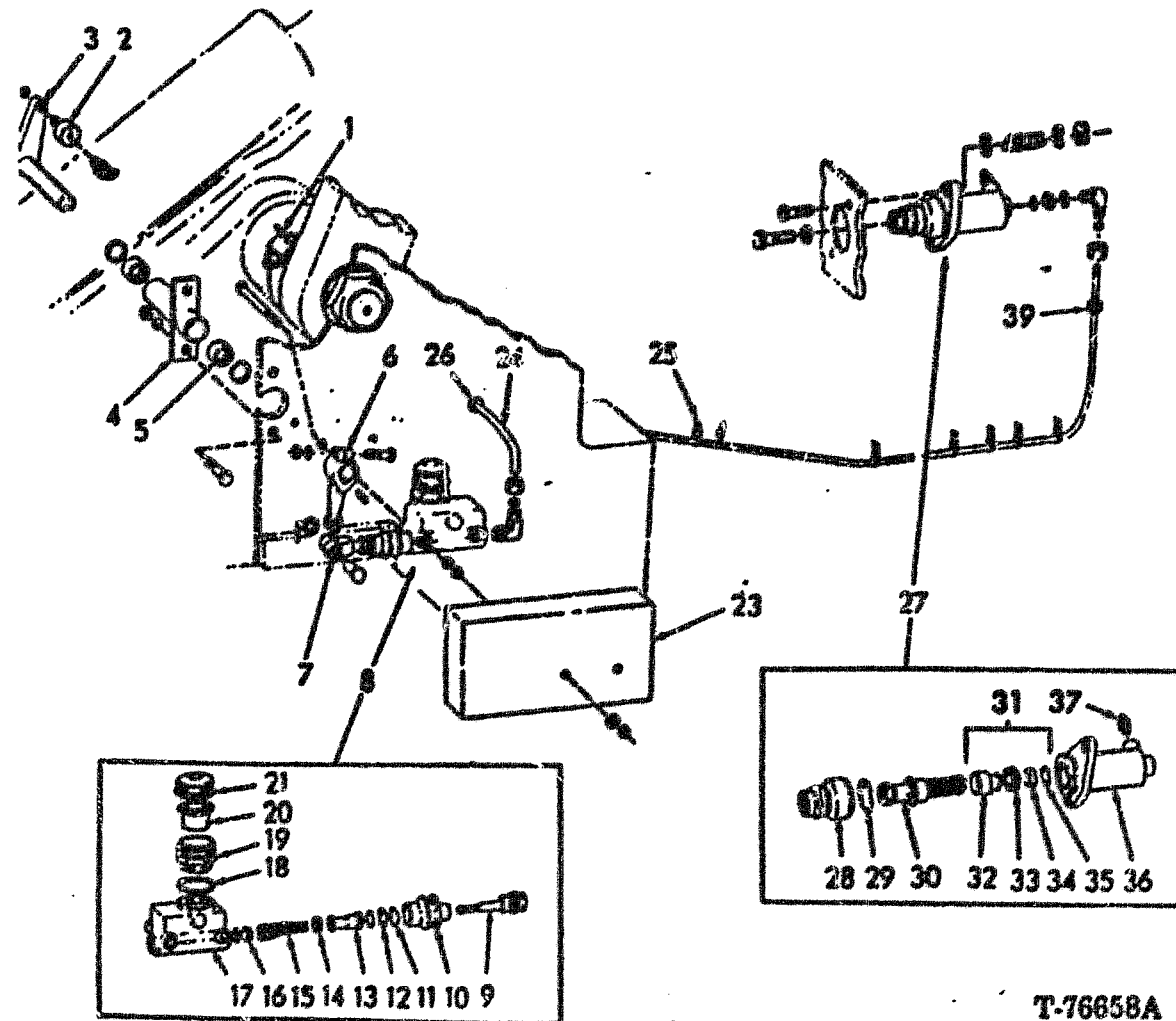
USAGE: SINGLE LEVER CONTROL, SPECIAL EQUIPMENT; USO: VERSIONE MONOLEVA, EQUIPAGGIAMENTO SPECIALE; USAGE: DISTRIBUTEUR A LEVIER UNIQUE, EQUIPEMENT SPECIAL; VERWENDUNG: EINZELHEBELSTEUERUNG, SONDERAUSRUSTUNG; USO: VALVULA CON UNA SOLA LEVA, EQUIPO ESPECIAL

FR11

AUTOMATIC BOOM KICKOUT
ARRESTO AUTOMATICO BRACCIO
ARRET AUTOMATIQUE DE LA FLECHE
AUTOMATISCHE AUSLEGERAUSSTOSSVORRICHTUNG
LIMITE AUTOMATICO DEL ALCE DEL AGUILON

E326/1

Revised August 1988



T-76658A

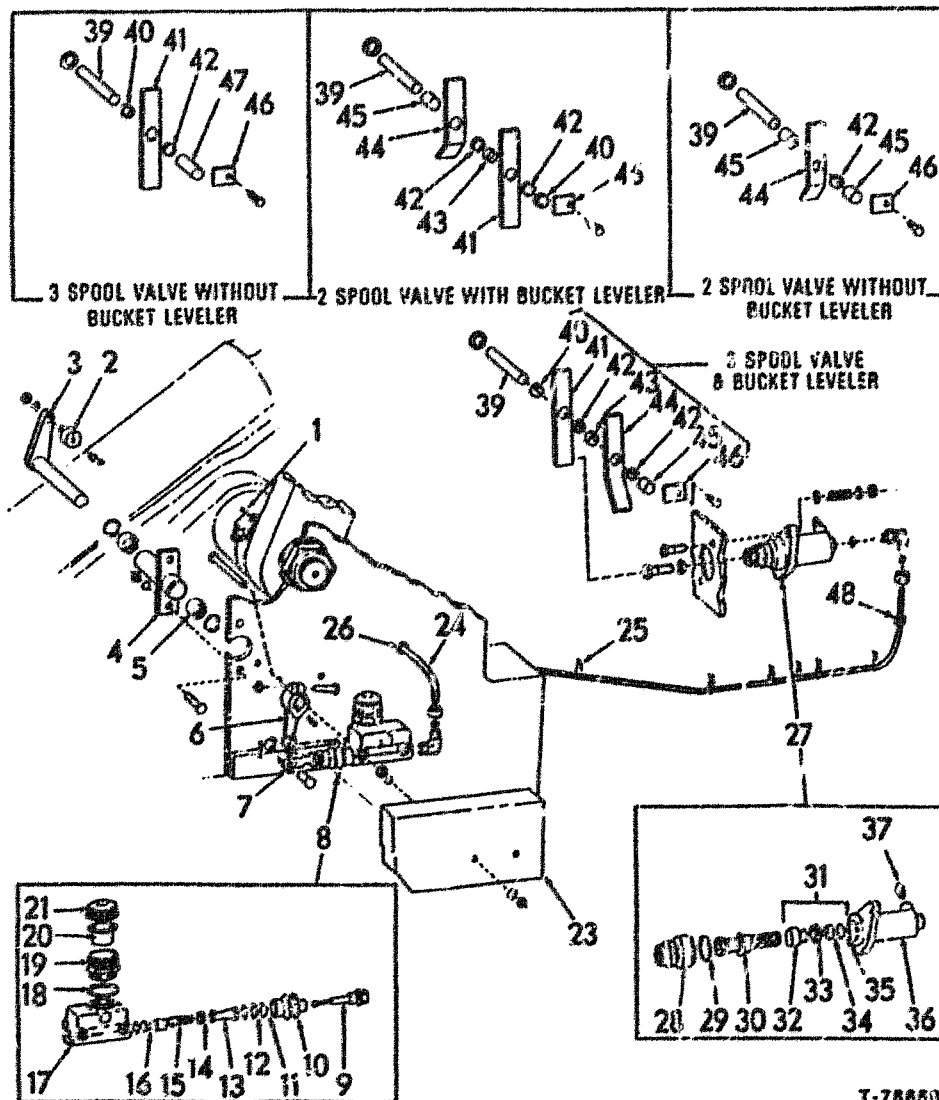
USAGE: SINGLE LEVER CONTROL, SPECIAL EQUIPMENT; USO: VERSIONE MONOLEVA, EQUIPAGGIAMENTO SPECIALE; USAGE: DISTRIBUTEUR A LEVIER UNIQUE, EQUIPEMENT SPECIAL; VERFENDUNG: EINZELHEBELSTEUERUNG, SONDERAUSRUSTUNG; USO: VALVULA CON UNA SOLA LEVA, EQUIPO ESPECIAL

ITEM	PART NO.	QTY.	CODE	DESCRIPTION	DENOMINAZIONE
27	73057432	1	164C	CYLINDER	CILINDRO
	600L			INCLUDES ITEM(S)28-37	INCLUDE PARTIC.(1)
	70927218	2	40V	CAPSCREW, 3/8"NC X 2-3/4"	VITE
	70929156	4	131R	WASHER	ROSETTA
	70619260	2	100M	SPRING	MOLLA
	70918308	2	257C	LOCKNUT, 3/8"NC	CONTRODADO
	70922726	1	40V	CAPSCREW, 1/2"NF X 1-1/2"	VITE
	70913177	1	10D	NUT, 1/2"NF	DADO
28	70067487	1	330C	BOOT	CUFFIA DI PROTEZIONE
	600V			REFER TO ITEM 38	RIFERIRSI AL PART.
29	70927694	1	45A	RING	ANELLO
	600V			REFER TO ITEM 38	RIFERIRSI AL PART.
30	73058960	1	238P	ROD, PUSH	PUNTALE
	600N			SERVICED AS A UNIT	FORNITO COME COMPLESS.
31	73058959	1	235S	PISTON	STANTUFFO
	600L			INCLUDES ITEM(S)32-35	INCLUDE PARTIC.(1)
32	-----	1	235S	PISTON	STANTUFFO
	600M			ORDER ITEM(S)31	ORDINARE PARTIC.
33	73058962	1	60S	CUP	SCODELLINO
	600V			REFER TO ITEM 38	RIFERIRSI AL PART.
34	73058963	1	61S	RETAINER	SCODELLINO DI RITEGNO
	600V			REFER TO ITEM 38	RIFERIRSI AL PART.
35	70927783	1	45A	RING	ANELLO
	600V			REFER TO ITEM 38	RIFERIRSI AL PART.
36	-----	1	35S	HOUSING	SCATOLA
	600V			REFER TO ITEM 27	RIFERIRSI AL PART.
37	70638413	1	46V	SCREW, BLEEDING	VITE DI SPURGO
38	73058961	1	500I	REPAIR KIT	CORREDO DI RIPAR.
	600L			INCLUDES ITEM(S) 28, 29, 33-35	INCLUDE PARTIC.(1)
39	70933894	1	500J	GROMMET	ANELLO
	600P			AS REQUIRED	DEFINITO AL MONTAGGIO
40	73059021	-	206T	TUBE(100')	TUBO

FR11

AUTOMATIC BOOM KICKOUT
ARRESTO AUTOMATICO BRACCIO
ARRET AUTOMATIQUE DE LA FLECHE
AUTOMATISCHE AUSLEGERAUSSTOSSVORRICHTUNG
LIMITE AUTOMATICO DEL ALCE DEL AGUILON

E326/1



T-78850

USAGE: SPECIAL EQUIPMENT, STANDARD CONTROLS; USO: EQUIPAGGIAMENTO SPECIALE, COMANDI STANDARD; USAGE: EQUIPEMENT SPECIAL, COMMANDES STANDARD; VERWENDUNG: SCHWERAUSRÜSTUNG, STANDARDSTEUERUNG; USO: EQUIPO ESPECIAL, MANDOS STANDARD

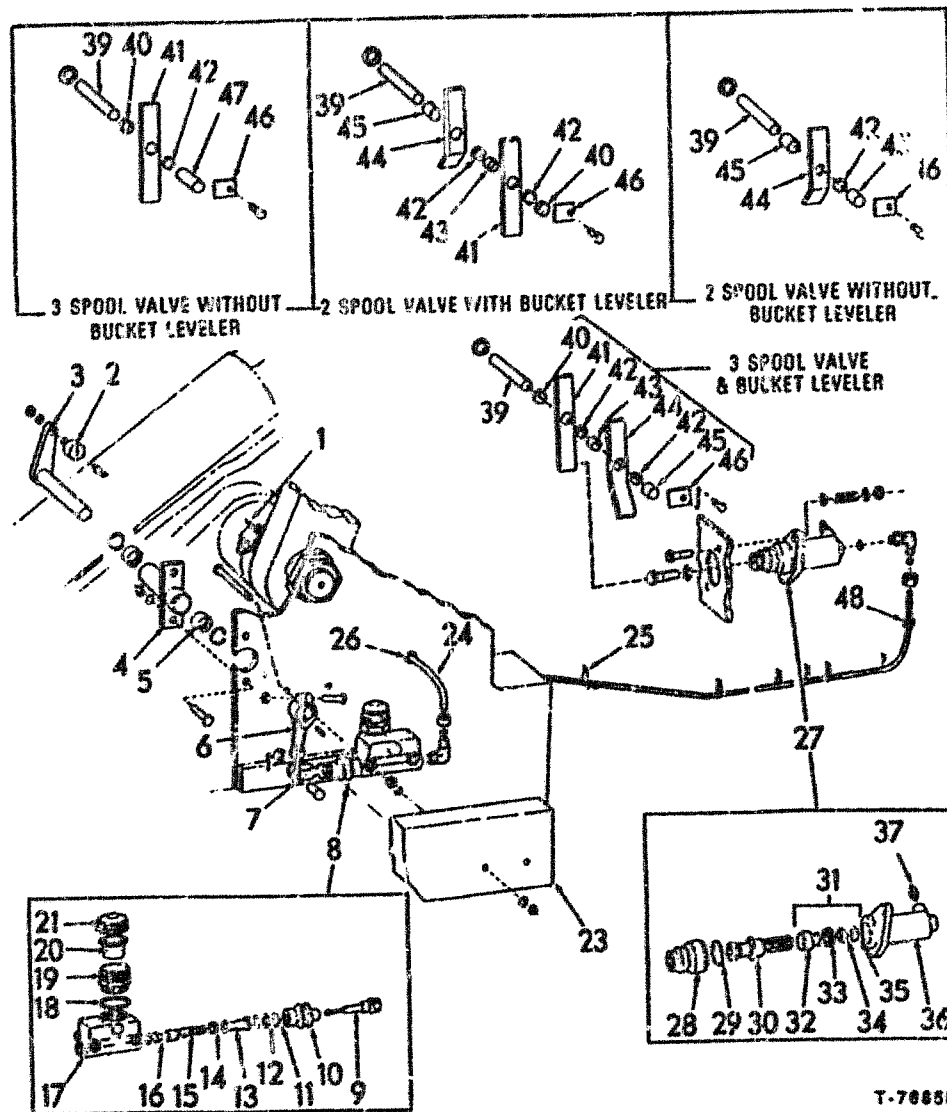
ITEM	PART NO.	QTY.	CODE	DESCRIPTION	DENOMINAZIONE
1	73058915	1	120M	CLAMP	CRICSETTO COLLARE
			600R	INCL. HARDWARE	INCL. VITERIA
	70921565	1	40V	CAPSCREW, 3/8"NC X 1-1/2"	VITE
2	70684010	1	40C	CAM	CAMMA
	70914678	1	132R	LOCKWASHER, 7/16"	ROSETTA DI SICUREZZA
	70911042	1	10D	NUT, 7/16"NF	DADO
	70917889	1	60I	FITTING, LUBRICATION	INGRASSATORE
3	73058913	1	45L	LEVER	LEVA
4	73058935	1	80M	BRACKET	MENSOLA
			600L	INCLUDES ITEM(S)5	INCLUDE PARTIC.(1)
	70921076	2	40V	CAPSCREW, 3/8"NC X 1-1/2"	VITE
	70933623	2	10D	NUT, 3/8"NC	DADO
5	70929241	2	341C	BEARING	CUSCINETTO
6	73058897	1	45L	LEVER	LEVA
	70925225	1	60L	KEY 1/8" X 3/16" X 61/64"	LINGUETTA
	70921565	1	40V	CAPSCREW, 3/8"NC X 1-1/4"	VITE
	70910324	1	10D	NUT, 3/8"NF	DADO
7	73058896	1	86F	YOKE	FORCELLA
	70910324	1	10D	NUT, 3/8"NC	DADO
	70917648	1	80P	PIN	PERNO
	70900806	1	81P	PIN, SECURING, 1/8" X 1"	PERNO DI FISSAGGIO
3	73076582	1	170C	CYLINDER, MASTER	CILINDRO MAESTRO
			600L	INCLUDES ITEM(S)9-21	INCLUDE PARTIC.(1)
	70927536	2	40V	CAPSCREW, 3/8"NC X 3-3/4"	VITE
	70929156	2	131R	WASHER	ROSETTA
	70933623	2	10D	NUT, 3/8"NC	DADO
9	73059079	1	90A	ROD	ASTA
10	73076584	1	330C	BOOT	CUFFIA DI PROTEZIONE
			600V	REFER TO ITEM 22	RIFERIRSI AL PART.
11	73058978	1	30F	WIRE	FILO
			600V	REFER TO ITEM 22	RIFERIRSI AL PART.

FR11

AUTOMATIC BOOM KICKOUT
ARRESTO AUTOMATICO BRACCIO
ARRET AUTOMATIQUE DE LA FLECHE
AUTOMATISCHE AUSLEGERAUSSTOSSVORRICHTUNG
LIMITE AUTOMATICO DEL ALCE DEL AGUILON

E326/2

REVISED OCTOBER 1990



T-78858

USAGE: SPECIAL EQUIPMENT, STANDARD CONTROLS; USO: EQUIPAGGIAMENTO SPECIALE, COMANBI STANDARD;
 USAGE: EQUIPEMENT SPECIAL, COMMANDS STANDARD; VERKENDUNG: SONDERAUSRUSTUNG, STANDARDSTEUERUNG; USO: EQUIPO ESPECIAL, MANDOS STANDARD

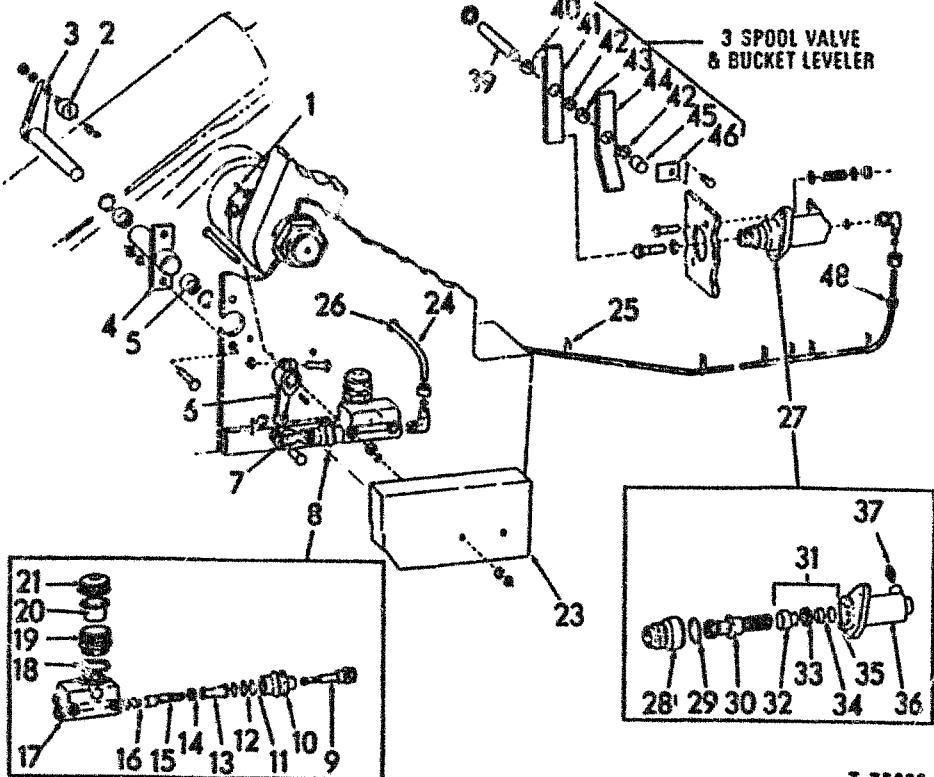
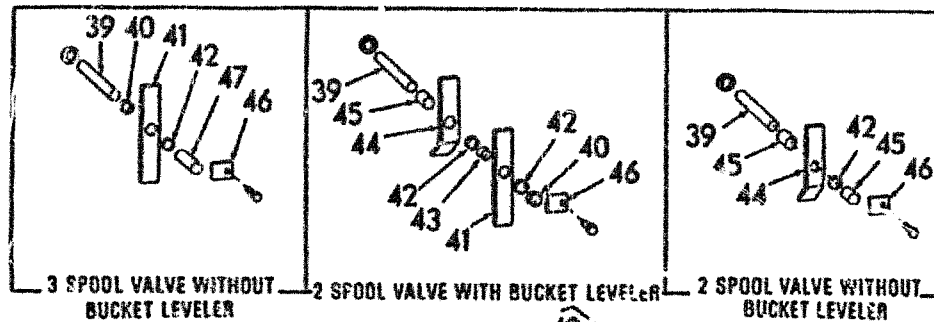
ITEM	PART NO.	QTY.	CODE	DESCRIPTION	DENOMINAZIONE
12	-----	1	105P	PLATE	PIASTRA
			600M	ORDER ITEM(S)2	ORDINARE PARTIC.
13	-----	1	235S	PISTON	STANTUFFO
			600M	ORDER ITEM(S)22	ORDINARE PARTIC.
			600K	INCLUDES O-RING	INCLUDE O-RING
14	70919194	1	95A	O-RING	ANELLO DI TENUTA
	73058975	1	60S	CUP	SCODELLINO
			600V	REFER TO ITEM 22	RIFERIRSI AL PART.
15	73058974	1	100M	SPRING ASSY.	MOLLA
16	-----	1	10V	VALVE	VALVOLA
			600M	ORDER ITEM(S)22	ORDINARE PARTIC.
17	-----	1	35S	HOUSING	SCATOLA
			600M	ORDER ITEM(S)3	ORDINARE PARTIC.
18	73058981	1	123G	GASKET	GUARNIZIONE DI TENUTA
19	73058982	1	55T	ADAPTER	ADATTATORE
20	73058983	1	35D	DIAPHRAGM	DIAPHRAGMA
21	73058984	1	20C	CAP	CALOTTA
22	73076583	1	500I	REPAIR KIT	CORREDO DI RIPAR.
			600L	INCLUDES ITEM(S) 10-14,16	INCLUDE PARTIC.(1)
23	73058931	1	265C	COVER	COPERCHIO
	70929156	2	131R	WASHER	ROSETTA
	70933623	2	10D	NUT, 3/8"NC	DADO
24	-----	-	206T	TUBE (108")	TUBO
			600V	REFER TO ITEM 49	RIFERIRSI AL PART.
	70928625	2	85G	ELBOW	GOMITO
			600R	INCL. HARDWARE	INCL. VITERIA
	70930350	2	501A	SLEEVE, 1/4"	MANICOTTO COMPRESIONE
	70930351	2	10D	NUT, 1/4"NF	DADO
	70921883	2	55A	O-RING	ANELLO DI TENUTA
25	70925094	6	501H	TIE	TIRANTE
26	70925425	1	500J	GROMMET	ANELLO

FR11

AUTOMATIC BOOM KICKOUT
 ARRESTO AUTOMATICO BRACCIO
 ARRET AUTOMATIQUE DE LA FLECHE
 AUTOMATISCHE AUSLEGERAUSSTOSSVORRICHTUNG
 LIMITE AUTOMATICO DEL ALCE DEL AGUILON

E326/2

REVISED OCTOBER 1980



T-78658

USAGE: SPECIAL EQUIPMENT, STANDARD CONTROLS; USO: EQUIPAGGIAMENTO SPECIALE, COMANBI STANDARD; USAGE: EQUIPEMENT SPECIAL, COMANDES STANDARD; VERWENDUNG: SONDERAUSRÜSTUNG, STANDARDSTEUERUNG; USO: EQUIPO ESPECIAL, MANDOS STANDARD

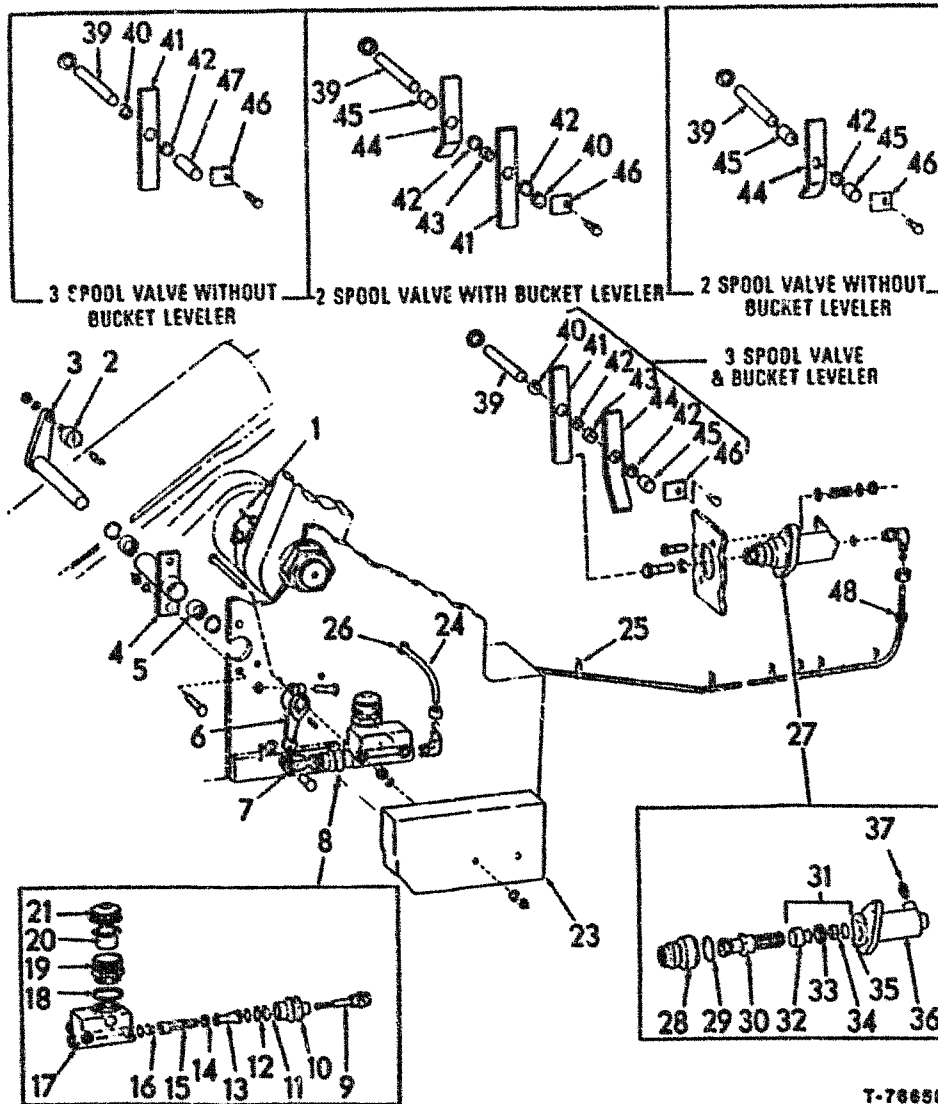
ITEM	PART NO.	QTY.	CODE	DESCRIPTION	DENOMINAZIONE
27	73057432	1	164C	CYLINDER	CILINDRO
			600L	INCLUDES ITEM(S)28-37	INCLUDE PARTIC.(1)
	70927218	2	40V	CAPSCREW, 3/8"NC X 2-3/4"	VITE
	70929156	4	131R	WASHER	ROSETTA
	70617260	2	100M	SPRING	MOLLA
	70918308	2	257C	LOCKNUT, 3/8"NC	CONTRODADO
	70922726	1	40V	CAPSCREW, 1/2"NF X 1-1/2"	VITE
	70913177	1	10D	NUT, 1/2"NF	DADO
28	70067487	1	330C	BOOT	CUFFIA DI PROTEZIONE
			600V	REFER TO ITEM 38	RIFERIRSI AL PART.
29	70927694	1	45A	RING	ANELLO
			600V	REFER TO ITEM 38	RIFERIRSI AL PART.
30	73058960	1	90A	ROD	ASTA
			600N	SERVICED AS A UNIT	FORNITO COME COMPLESS.
31	73058959	1	235S	PISTON	STANTI'FFO
			600L	INCLUDES ITEM(S)32-35	INCLUDE PARTIC.(1)
32	-----	1	235S	PISTON	STANTUFFO
			600M	ORDER ITEM(S)31	ORDINARE PARTIC.
33	73058962	1	60S	CUP	SCODELLINO
			600V	REFER TO ITEM 38	RIFERIRSI AL PART.
34	73058963	1	61S	RETAINER	SCODELLINO DI RITEGNO
			600V	REFER TO ITEM 38	RIFERIRSI AL PART.
35	70927783	1	45A	RING	ANELLO
			600V	REFER TO ITEM 38	RIFERIRSI AL PART.
36	-----	1	35S	HOUSING	SCATOLA
			600M	ORDER ITEM(S)27	ORDINARE PARTIC.
37	70638413	1	46V	SCREW, BLEEDING	VITE DI SPURGO
38	73058961	1	500I	REPAIR KIT	CORREDO DI RIPAR.
			600L	INCLUDES ITEM(S) 28, 29, 33-35	INCLUDE PARTIC.(1)
39	73057869	1	16A	SHAFT	ALBERO
	70910255	1	131R	WASHER	ROSETTA
40	73057188	1	75D	SPACER	DISTANZIALE
41	73057875	1	45L	LEVER	LEVA
			600L	INCLUDES ITEM(S)42	INCLUDE PARTIC.(1)

FR11

AUTOMATIC BOOM KICKOUT
ARRESTO AUTOMATICO BRACCIO
ARRET AUTOMATIQUE DE LA FLECHE
AUTOMATISCHE AUSLEGERAUSSTOSSVORRICHTUNG
LIMITE AUTOMATICO DEL ALCE DEL AGUILON

E326/2

REVISED OCTOBER 1990



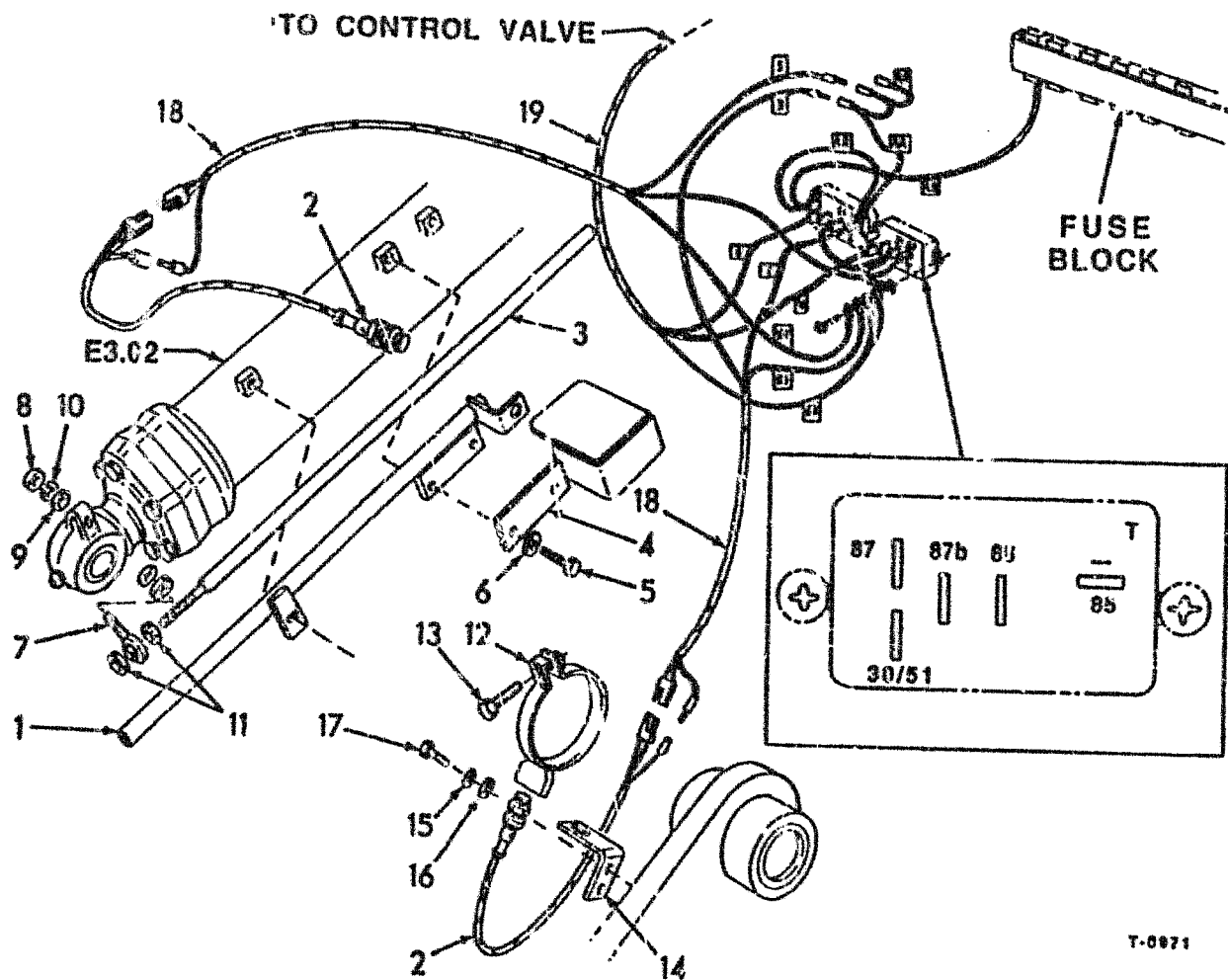
ITEM	PART NO.	QTY.	CODE	DESCRIPTION	DENOMINAZIONE
42	73057872	2	95B	BUSHING	BCCCOLA
43	73057197	1	75D	SPACER	DISTANZIALE
44	73057876	1	45L	LEVER	LEVA
		600L		INCLUDES ITEM(S)42	INCLUDE PARTIC.(1)
45	73057198	2	75D	SPACER	DISTANZIALE
46	73057868	1	61S	RETAINER	SCODELLINO DI RITEGNO
	70916284	1	40V	CAPSCREW, 1/4"NC X 1/2"	VITE
47	73058106	1	75D	SPACER	DISTANZIALE
48	70933894	1	500J	GROMMET	ANELLO
49	73059021	-	20LT	TUBE (100')	TUBO
		600P		AS REQUIRED	DEFINITO AL MONTAGGIO

USAGE: SPECIAL EQUIPMENT, STANDARD CONTROLS; USO: EQUIPAGGIAMENTO SPECIALE, COMANBI
 STANDARD; USAGE: EQUIPEMENT SPECIAL, COMMANDES STANDARD; VERWENDUNG:
 SONDERAUSRUSTUNG, STANDARDSTEUERUNG; USO: EQUIPO ESPECIAL, MANDOS STANDARD

FR11

AUTOMATIC BOOM KICKOUT
 ARRESTO AUTOMATICO BRACCIO
 ARRET AUTOMATIQUE DE LA FLECHE
 AUTOMATISCHE AUSLEGERAUSSTOSSVORRICHTUNG
 LIMITE AUTOMATICO DEL ALCE DEL AGUILON

E326/2



ITEM	PART NO.	QTY.	LEX.	DESCRIPTION
1	76016853	1	193T	TUBE
2	79091014	2	132S	INDUCTIVE PROXIMITY SWITCHES
3	76013462	1	89A	POSITIONING ROD
4	76016850	1	70R	GUARD
5	16043331	3	40V	SCREW, M8 X 18
6	70929662	3	131R	WASHER
7	73045248	1	70G	BALL JOINT
8	70910195	2	10D	NUT
9	70910244	2	131R	WASHER
10	70912441	1	170R	LOCKWASHER
11	70910325	2	10D	NUT, 1/2NC
12	76013441	1	120M	CLAMP
13	70921565	1	40V	CAPSCREW
14	76013442	1	80M	BRACKET
15	10571571	2	132R	LOCKWASHER
16	10519421	2	131R	WASHER
17	10902621	2	40V	CAPSCREW, M6 X 25
18	76015896	2	111C	CABLE, SWITCH TO RELAY
19	76016880	1	111C	CABLE, RELAY TO CONTROL VALVE

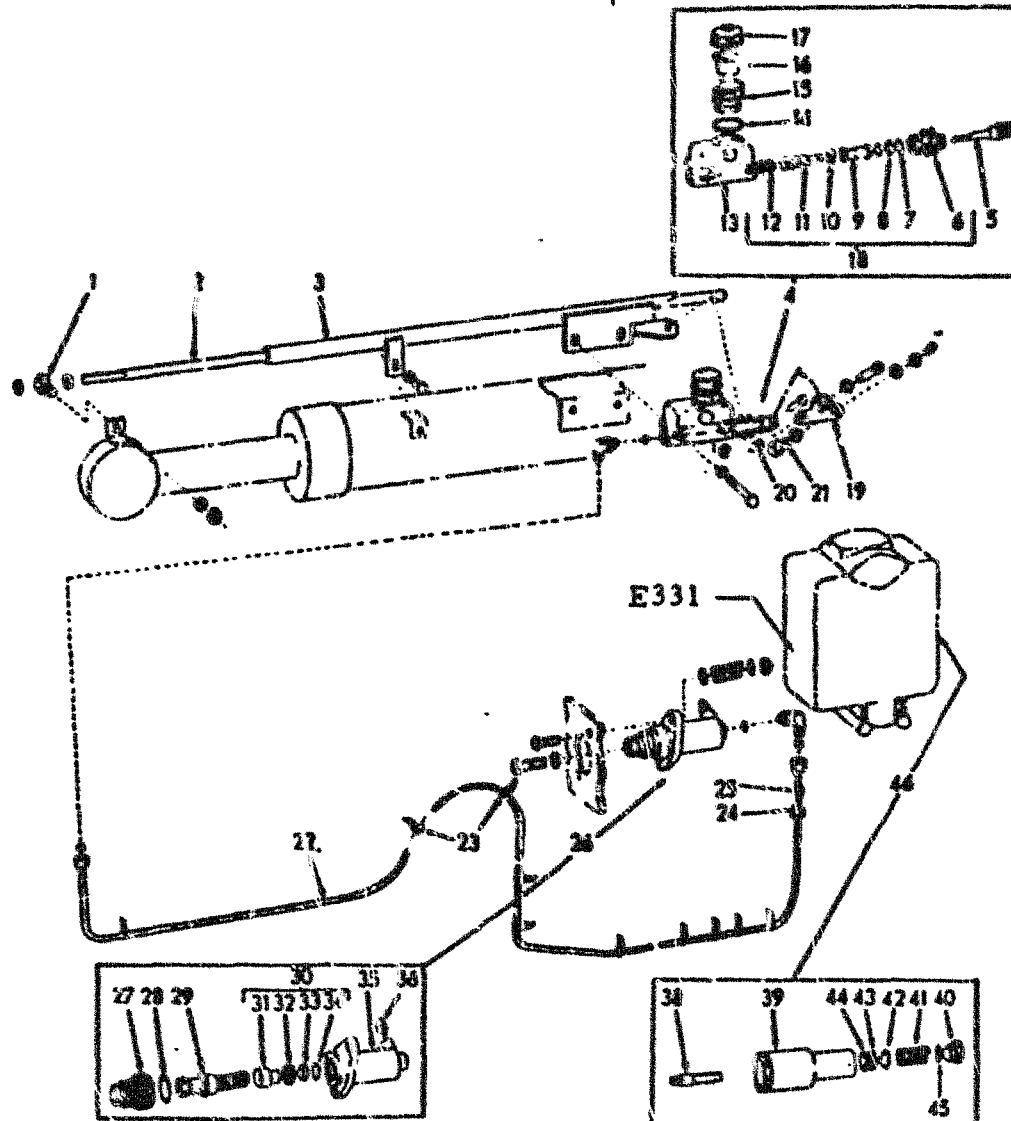
USAGE: UNIT NO. 530305 AND UP

FR11

BUCKET AUTOMATIC
POSITIONING DEVICE

E327

ADDED OCTOBER 1990



T-76654

USAGE: SINGLE LEVER CONTROL, SPECIAL EQUIPMENT; USO: VERSIONE MONOLEVA, EQUIPAGGIAMENTO SPECIALE; USAGE: DISTRIBUTEUR A LEVIER UNIQUE, EQUIPEMENT SPECIAL; VERWENDUNG: EINZELNEBELSTEUERUNG, SONDERAUSRUSTUNG; USO: VALVULA CON UNA SOLA LEVA, EQUIPO ESPECIAL

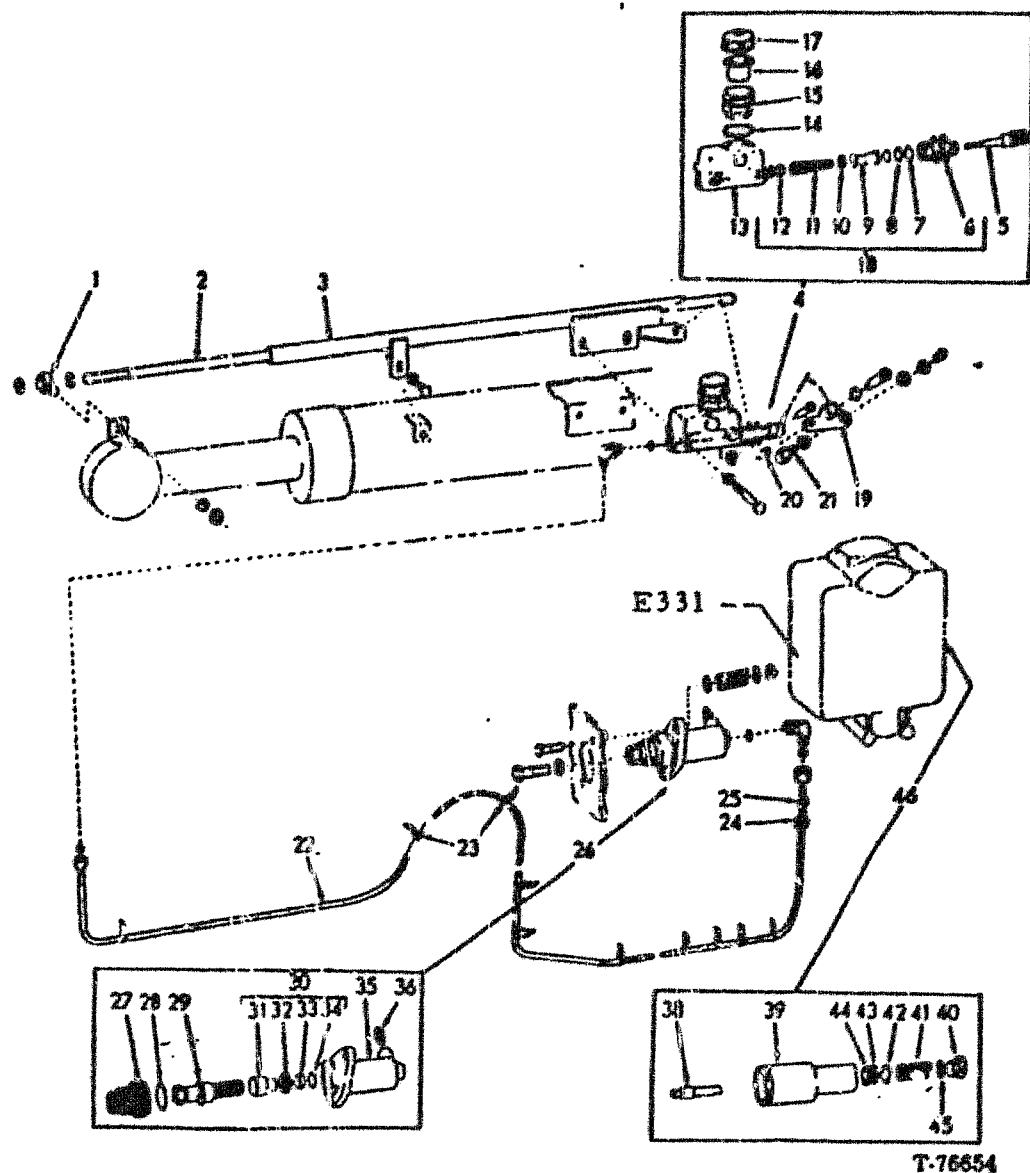
ITEM	PART NO.	QTY.	CODE	DESCRIPTION	DENOMINAZIONE
1	73045248	1	341C	BIARING	CUSCINETTO
	70928188	2	131R	WASHER	ROSETTA
	70910195	2	10D	NUF	DADO
2	73058458	1	93A	ROD	ASTICINA FILETTATA
	70933037	2	10D	NUT 1/2"NC	DADO
3	73136512	1	206T	TUBE	TUBO
	16043331	1	40V	CAPSCREW, M6 X 1.25 X 18MM	VITE
	70929156	1	131R	WASHER	ROSETTA
4	73076581	1	170C	CYLINDER, MASTER	CILINDRO MAESTRO
	16044731	2	40V	CAPSCREW, M6 X 1.25 X 75MM	VITE
	70929156	2	131R	WASHER	ROSETTA
5	73058980	1	90A	ROD	ASTA
6	73076584	1	330C	BOOT	CUFFIA DI PROTEZIONE
	600V			REFER TO ITEM 18	RIFERIRSI AL PART.
7	73058978	1	60F	WIRE	FILO
	600V			REFER TO ITEM 18	RIFERIRSI AL PART.
8	-----	1	105P	PLATE	PIASTRA
	600M			ORDER ITEM(S)18	ORDINARE PARTIC.
9	-----	1	235S	PISTON	STANTUFFO
	600K			INCLUDES O-RING	INCLUDE O-RING
	600M			ORDER ITEM(S)18	ORDINARE PARTIC.
	70929194	1	55A	O-RING	ANELLO DI TENUTA
10	73058975	1	60S	CUP	SCODELLINO
	600V			REFER TO ITEM 18	RIFERIRSI AL PART.
11	73058974	1	100M	SPRING	MOLLA
12	-----	1	10V	VALVE	VALVOLA
	600M			ORDER ITEM(S)18	ORDINARE PARTIC.
13	-----	1	35S	HOUSING	SCATOLA
	600M			ORDER ITEM(S)14	ORDINARE PARTIC.
14	73058981	1	123G	GASKET	GUARNIZIONE DI TENUTA
15	73058982	1	55T	ADAPTER	ADATTATORE
16	73058983	1	35D	DIAPHRAGM	DIAPHRAGMA
17	73058984	1	20C	CAP	CALOTTA

FR11

AUTOMATIC BUCKET LEVELER
 POSIZIONATORE AUTOMATICO BENNA
 MISE A NIVEAU AUTOMATIQUE DU GODET
 AUTOMATISCHE KUBELNIVELLIERVORRICHTUNG
 NIVELACION AUTOMATICA DEL CUCHARON

E327/1

Revised August 1988



T-76654

USAGE: SINGLE LEVER CONTROL, SPECIAL EQUIPMENT; USO: VERSIONE MONOLEVA, EQUIPAGGIAMENTO SPECIALE; USAGE: DISTRIBUTEUR A LEVIER UNIQUE, EQUIPEMENT SPECIAL; VERMENDUNG: EINZELHEBELSTEUERUNG, SONDERAUSRUSTUNG; USO: VALVULA CON UNA SOLA LEVA, EQUIPO ESPECIAL

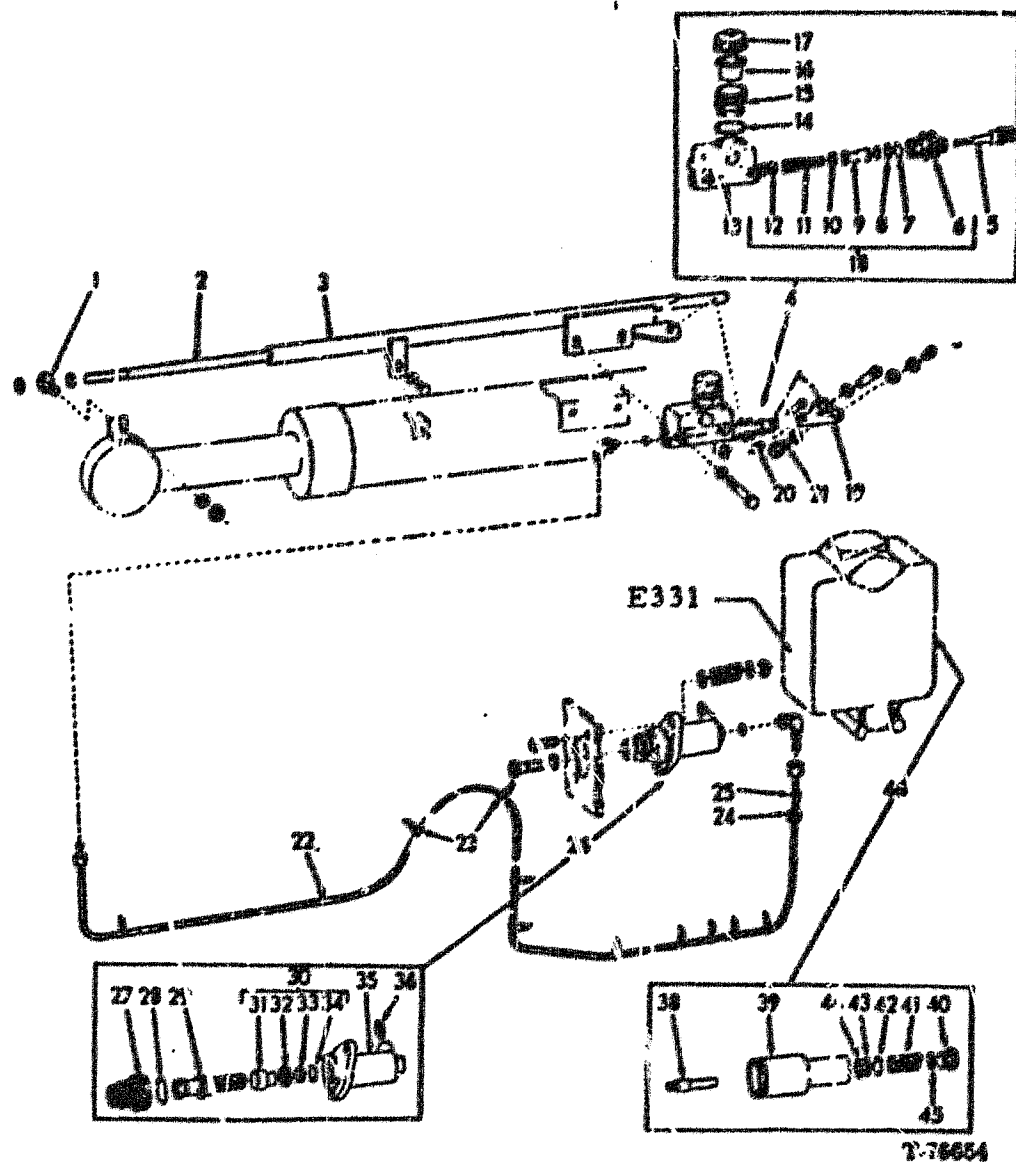
ITEM	PART NO.	QTY.	CODE	DESCRIPTION	DENOMINAZIONE
18	73076593	1	5001	REPAIR KIT	CORREDO DI RIPAR.
			600L	INCLUDES ITEM(S)	INCLUDE PARTIC.(I)
				6-10, 12	
19	73075667	1	45L	LEVER	LEVA
			600L	INCLUDES ITEM(S) 20, 21	INCLUDE PARTIC.(I)
				OR	
	76013036	1	45L	LEVER	LEVA
	73059213	1	140B	BOLT	BULLONE
	70910244	1	131R	WASHER	ROSETTA
20	70928434	1	341C	BEARING	CUSCINETTO
21	70684010	1	501E	FOLLOWER	PUNTERIA
	70912298	3	131R	WASHER	ROSETTA
	70911042	1	100	NUT, 7/16"NF	DADO
	70916584	1	80	PIN, 5/16" X 1-1/4"	PERNO
	70900806	1	51P	PIN, SECURING, 1/8" X 1"	PERNO DI FISSAGGIO
	70917889	1	601	FITTING, LUBRICATION	INGRASSATORE
22	-----	-	206T	TUBE (156")	TUBO
			600V	REFER TO ITEM 47	RIFERIRSI AL PART.
	70929625	2	85G	ELBOW	GOMITO
			600R	INCL. HARDWARE	INCL. VITERIA
	70930350	2	501A	SLEEVE, 1/4"	MANICOTTO COMPRESIONE
	70930351	2	100	NUT, 1/4"NF	DADO
	70921883	2	55A	O-RING	ANELLO DI TENUTA
23	70925094	10	501H	TIE	TIRANTE
24	70933894	1	500J	GROMMET	ANELLO
25	70921730	1	500J	GROMMET	ANELLO
26	73057432	1	164C	CYLINDER	CILINDRO
			600L	INCLUDES ITEM(S) 27-36	INCLUDES ITEM(S) 27-36
	70927218	2	40V	CAPSCREW,	VITE
				3/8"NC X 2-3/4"	
	70929156	4	131R	WASHER	ROSETTA
	70619260	2	100M	SPRING	MOLLA
	70918308	2	257C	LOCKNUT, 3/8"NC	CONTRODADO
	70922726	1	40V	CAPSCREW,	VITE
				1/2"NF X 1-1/2"	
	70913177	1	100	NUT, 1/2"NF	DADO
27	70067467	1	330C	BOOT	CUFFIA DI PROTEZIONE
			600V	REFER TO ITEM 37	RIFERIRSI AL PART.

FR11

AUTOMATIC BUCKET LEVELER
 POSIZIONATORE AUTOMATICO BENNA
 MISE A NIVEAU AUTOMATIQUE DU GODET
 AUTOMATISCHE KUBELNIVELLIERVORRICHTUNG
 NIVELACION AUTOMATICA DEL CUCHARON

L327/1

Revised August 1988



USAGE: SINGLE LEVER CONTROL, SPECIAL EQUIPMENT; USO: VERSIONE MONOLEVA, EQUIPAGGIAMENTO SPECIALE; USAGE: DISTRIBUTEUR A LEVIER UNIQUE, EQUIPEMENT SPECIAL; VERWENDUNG: EINZELHEBELSTEUERUNG, SONNENAUSTRUSTUNG; USO: VALVULA CON UNA SOLA LEVA, EQUIPO ESPECIAL

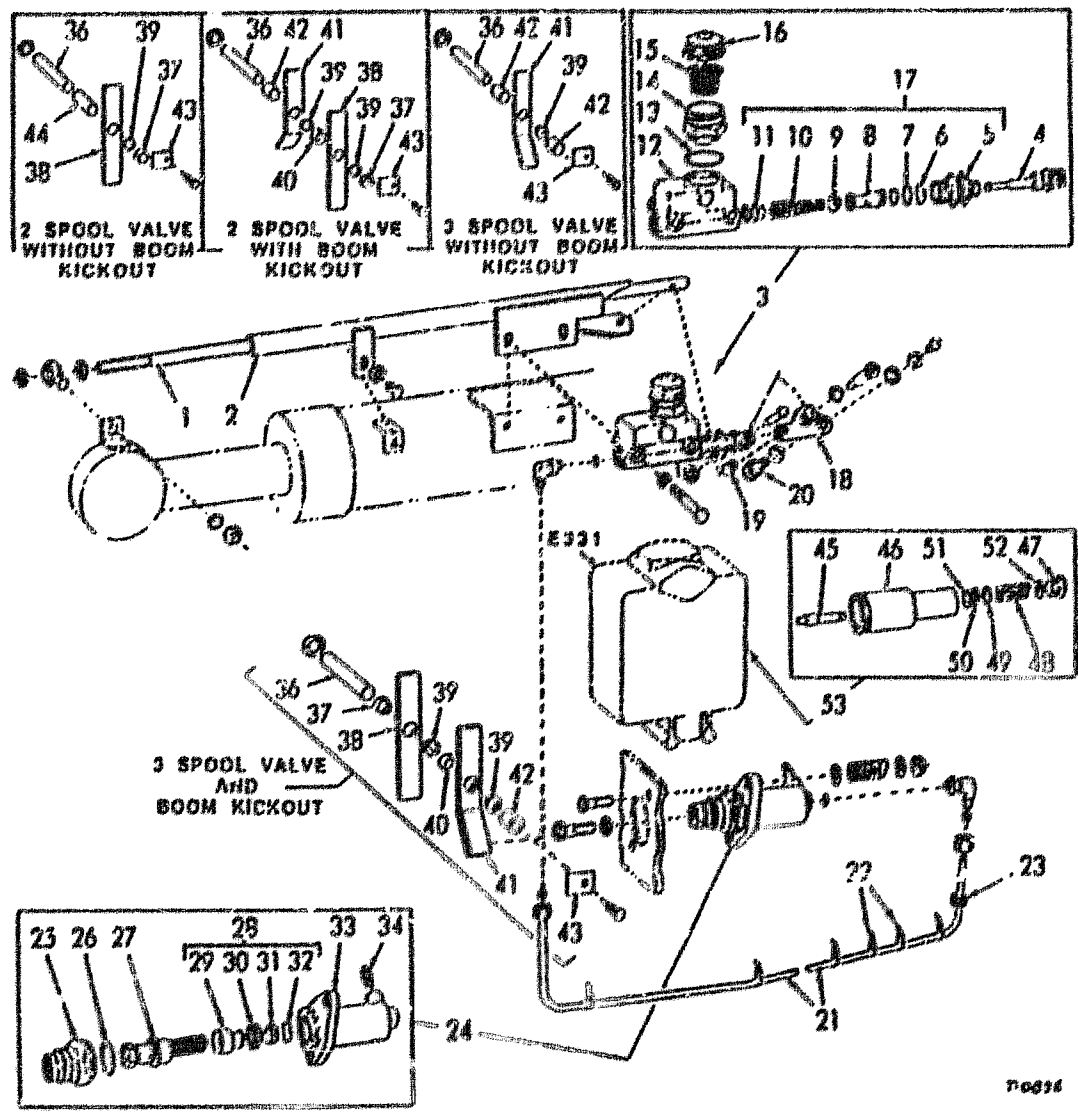
ITEM	PART NO.	QTY.	CODE	DESCRIPTION	DEMINIAZIONE
28	70927694	1	45A	RING	ANELLO
			600V	REFER TO ITEM 37	RIFERIRSI AL PART.
29	73058960	1	90A	ROD	ASTA
			600M	SERVICED AS A UNIT	FORNITO COME COMPLESS.
30	73058959	1	235S	PISTON	STANTUFFO
			600L	INCLUDES ITEM(S)31-34	INCLUDE PARTIC.(1)
31	-----	1	235S	PISTON	STANTUFFO
			600M	ORDER ITEM(S)30	ORDINARE PARTIC.
32	73058962	1	60S	CUP	SCODELLINO
			600V	REFER TO ITEM 37	RIFERIRSI AL PART.
33	73058963	1	61S	RETAINER	SCODELLINO DI RITEGNO
			600V	REFER TO ITEM 37	RIFERIRSI AL PART.
34	70927783	1	45A	RING	ANELLO
			600V	REFER TO ITEM 37	RIFERIRSI AL PART.
35	-----	1	35S	HOUSING	SCATOLA
			600M	ORDER ITEM(S)26	ORDINARE PARTIC.
36	70638413	1	46V	SCREW, BLEEDING	VITE DI SPURGO
37	73058961	1	900I	REPAIR KIT	CORREDO DI RIPAR.
			600L	INCLUDES ITEM(S)	INCLUDE PARTIC.(1)
				27,28,32-34	
38	a73068884	1	210P	STUD	FRIGONIERO
39	a73052674	1	20C	CAP	CALOTTA
40	a73069094	1	50T	PLUG	TAPPO
41	a73059182	1	100M	SPRING	MOLLA
42	a73051812	1	40C	CAM	CAMMA
43	a73051813	8	140S	BALL	SFERA
44	a73063558	1	131R	WASHER	ROSETTA
45	a73069092	1	131R	WASHER	ROSETTA
46	73058308	1	900I	REPAIR KIT	CORREDO DI RIPAR.
			600L	INCLUDES ITEM(S)36-45	INCLUDE PARTIC.(1)
47	73059021	-	206T	TUBE(100')	TUBO
			600P	AS REQUIRED	DEFINITO AL MONTAGGIO

a.REFER TO ITEM 46
RIFERIRSI AL PART.

FR 1

AUTOMATIC BUCKET LEVELER
POSIZIONATORE AUTOMATICO DENNA
MISE A NIVEAU AUTOMATIQUE DU GODET
AUTOMATISCHE KUBELNIVELLIERVORRICHTUNG
NIVELACION AUTOMATICA DEL CUCHARON

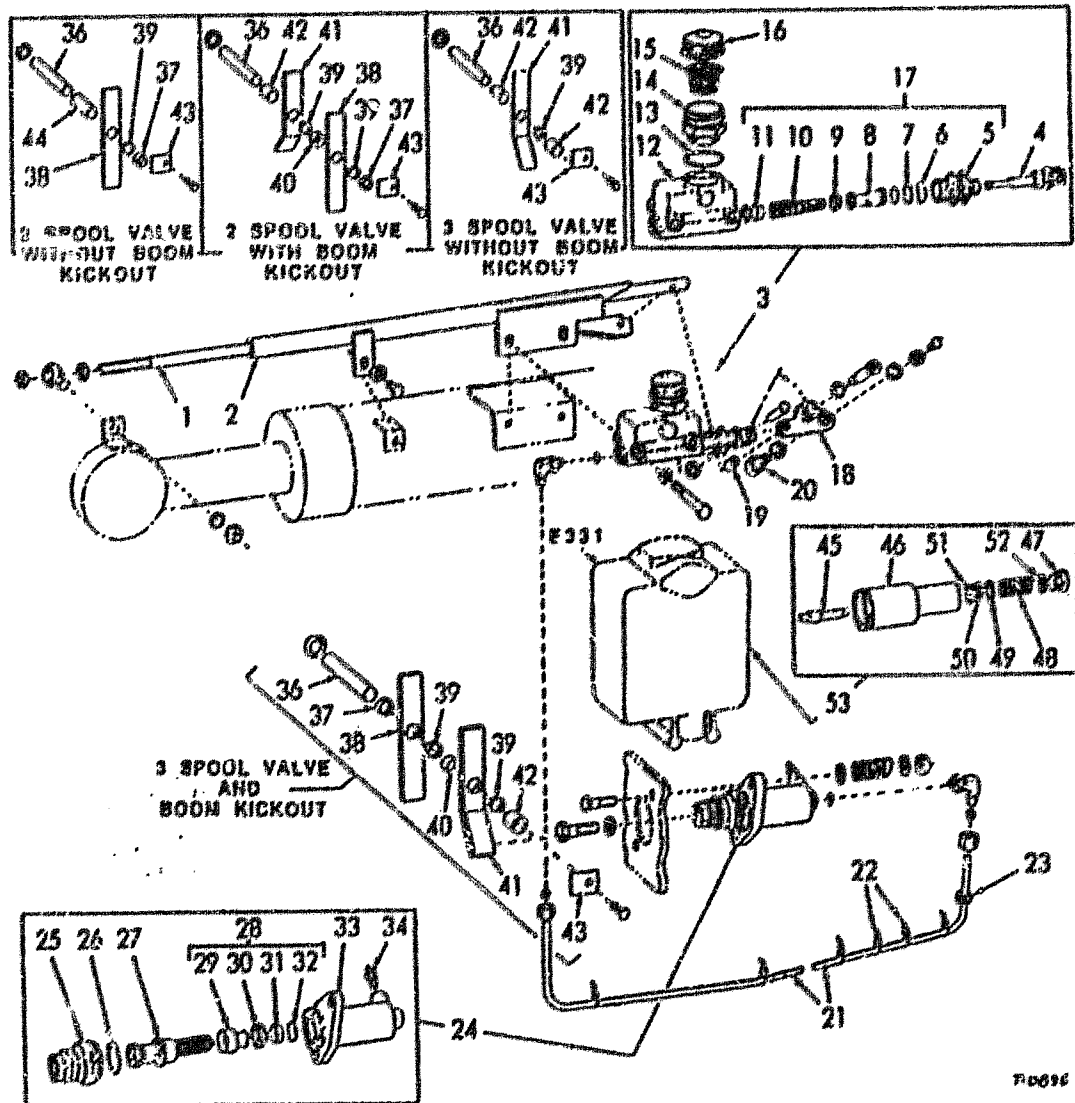
E327/1



ITEM	PART NO.	QTY.	CODE	DESCRIPTION	DENOMINAZIONE
1	73058458	1	90A	ROD	ASTA
	73045248	1	341C	BEARING	CUSCINETTO
	70910195	2	100	NUT, 1/2"WF	DADO
	70933037	2	100	NUT, 1/2"WC	DADO
	70928188	2	131R	WASHER	ROSETTA
2	73136512	1	208T	TUBE	TUBO
	16043330	1	40V	CAPSCREW, MB X 1.25 X 18MM	VITE
	70929156	1	131R	WASHER	ROSETTA
3	73076581	1	170C	CYLINDER, MASTER	CILINDRO MAESTRO
	16044731	2	40V	CAPSCREW, MB X 1.25 X 18MM	INCLUDE PARTIC.(11) VITE
	70929156	2	131R	WASHER	ROSETTA
4	73058980	1	90A	ROD	ASTA
5	73076584	1	330C	BOOY	CUFFIA DI PROTEZIONE
	600Y			REFER TO ITEM 17	RIFERIRSI AL PART.
6	73058978	1	60F	WIRE	FILO
	600Y			REFER TO ITEM 17	RIFERIRSI AL PART.
7	-----	1	105P	PLATE	PIASTRA
	600M			ORDER ITEM(S)17	ORDINARE PARTIC.
8	-----	1	235S	PISTON	STANTUFFO
	600K			INCLUDES O-RING	INCLUDE O-RING
	600M			ORDER ITEM(S)17	ORDINARE PARTIC.
	70929194	1	55A	O-RING	ANELLO DI TENUTA
9	73058975	1	60S	CUP	SCODELLINO
	600V			REFER TO ITEM 17	RIFERIRSI AL PART.
10	73058974	1	100K	SPRING	MOLLA
	600V			REFER TO ITEM 17	RIFERIRSI AL PART.
11	-----	1	104	VALVE	VALVOLA
	600M			ORDER ITEM(S)17	ORDINARE PARTIC.
12	-----	1	35S	HOUSING	SCATOLA
	600M			ORDER ITEM(S)13	ORDINARE PARTIC.
13	73058981	1	123G	GASKET	GUARNIZIONE DI TENUTA
14	73058982	1	59T	ADAPTER	ADATTATORE
15	73058983	1	35D	DIAPHRAGM	DIAPHRAGMA
16	73058984	1	20C	CAP	CALOTTA

ISAGE: SPECIAL EQUIPMENT; USO: EQUIPAGGIAMENTO SPECIALE; USAGE: EQUIPEMENT SPECIAL;
 ERWENDUNG: SONDERAUSRUSTUNG; USO: EQUIPO ESPECIAL

FR11	AUTOMATIC BUCKET LEVELER POSIZIONATORE AUTOMATICO BENNA MISE A NIVEAU AUTOMATIQUE DU GODET AUTOMATISCHE KUBELNIVELLIERVORRICHTUNG NIVELACION AUTOMATICA DEL CUCHARON	E327/2
		REVISED OCTOBER 1999



USAGE: SPECIAL EQUIPMENT; USO: EQUIPAGGIAMENTO SPECIALE; USAGE: EQUIPMENT SPECIAL;
 VERWENDUNG: SONDERAUSRÜSTUNG; USO: EQUIPO ESPECIAL

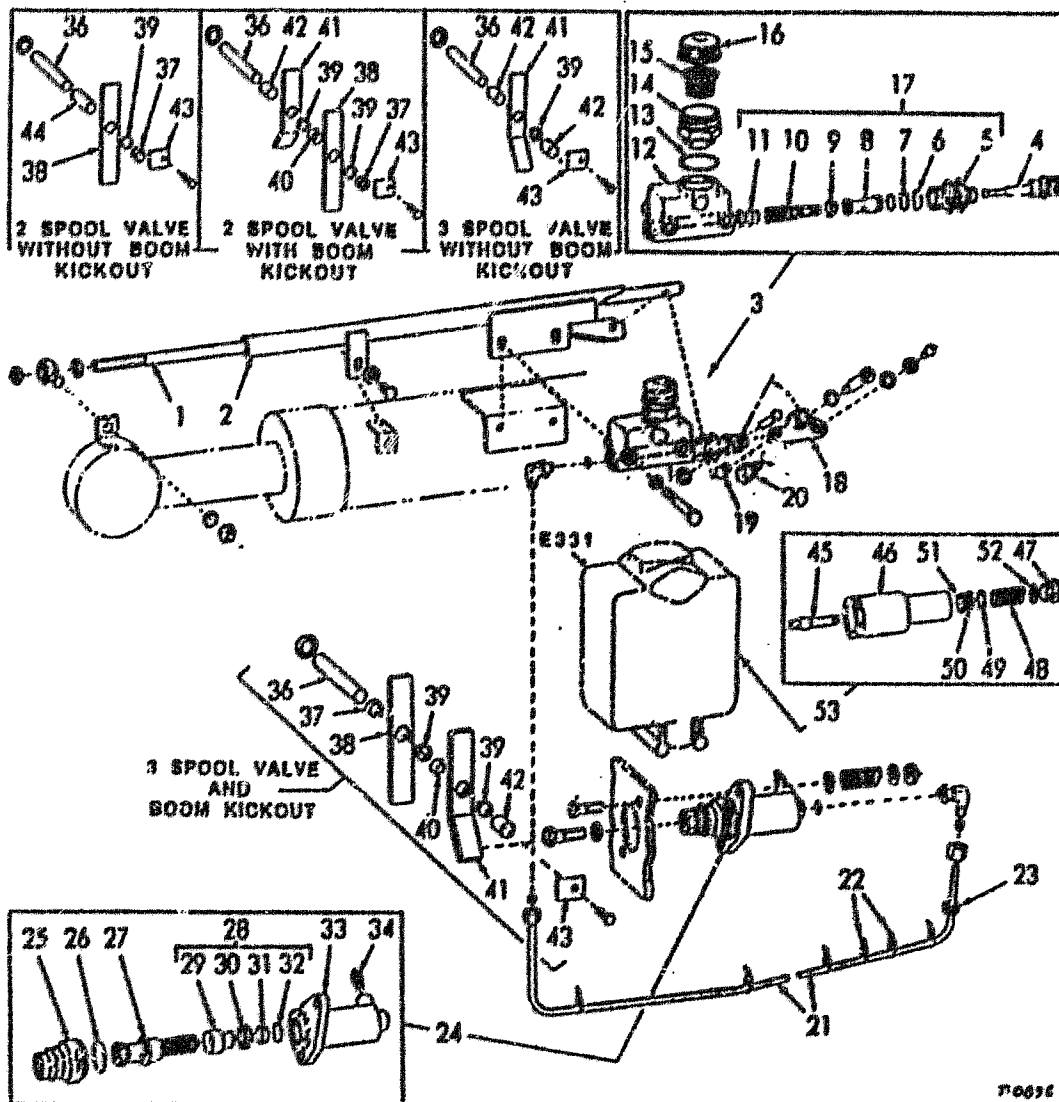
ITEM	PART NO.	QTY.	CODE	DESCRIPTION	DEGNOMINAZIONE
17	73076583	1	500I	REPAIR KIT	CORREDO DI RIPAR.
	600L			INCLUDES ITEM(S)5-11	INCLUDE PARTIC.(11)
18	73075667	1	45L	LEVER	LEVA
	600X			PRIOR TO UNIT NO.560572	FINO AL TELAIO.....
	76G13063	1	45L	LEVER	LEVA
	500Y			UNIT NO. 560572 AND UP	DAL TELAIO.....
	600L			INCLUDES ITEM(S)19,20	INCLUDE PARTIC.(11)
	73059213	1	140B	BOLT	BULLONE
	70910244	1	131R	WASHER	ROSETTA
19	70928434	1	341C	BEARING	CUSCINETTO
	600X			PRIOR TO UNIT NO.560572	FINO AL TELAIO.....
	76G12972	1	341C	BEARING	CUSCINETTO
	600Y			UNIT NO. 560572 AND UP	DAL TELAIO.....
20	70684010	1	501E	FOLLOWER	PUNTERIA
	70912298	3	131R	WASHER	ROSETTA
	70911042	1	10D	NUT, 7/16"NF	DADO
	70916584	1	80P	PIN, 5/16" X 1-1/4"	PERNO
	70900806	1	81P	PIN, SECURING, 1/8" X 1"	PERNO DI FISSAGGIO
	70917889	1	60I	FITTING, LUBRICATION	INGRASSATORE
21	-----	-	206T	TUBE (156")	TUBO
	70928625	2	85G	ELBOW	GOMITO
	600R			INCL. HARDWARE	INCL. VITERIA
	70930350	2	501A	SLEEVE, COMPRESSION	MANICOTTO COMPRESIONE
	70930351	2	10D	NUT, 1/4"NF	DADO
	70921883	2	59A	O-RING	ANELLO DI TENUTA
22	70925094	10	501H	TIE	TIRANTE
23	70933894	1	500J	GROMMET	ANELLO
24	73057432	1	164C	CYLINDER	CILINDRO
	600L			INCLUDES ITEM(S)25-34	INCLUDE PARTIC.(11)
	70927218	2	40V	CAPSCREW, 3/8"NCX2-3/4"	VITE
	70929156	4	131R	WASHER	ROSETTA
	70619260	2	100M	SPRING	MOLLA
	70913308	2	257C	LOCKNUT, 3/8"NC	CONTRODADO
	70922726	1	40V	CAPSCREW, 1/2"NF X 1-1/2"	VITE
	70913177	1	10D	NUT, 1/2"NF	DADO

FR11

AUTOMATIC BUCKET LEVELER
 POSIZIONATORE AUTOMATICO BENNA
 MISE A NIVEAU AUTOMATIQUE DU GODET
 AUTOMATISCHE KUBELNIVELLIERVORRICHTUNG
 NIVELACION AUTOMATICA DEL CUCHARON

E327/2

REVISED OCTOBER 1990



USAGE: SPECIAL EQUIPMENT; USO: EQUIPAGGIAMENTO SPECIALE; USAGE: EQUIPMENT SPECIAL;
 VERWENDUNG: SONDERAUSRÜSTUNG; USO: EQUIPO ESPECIAL.

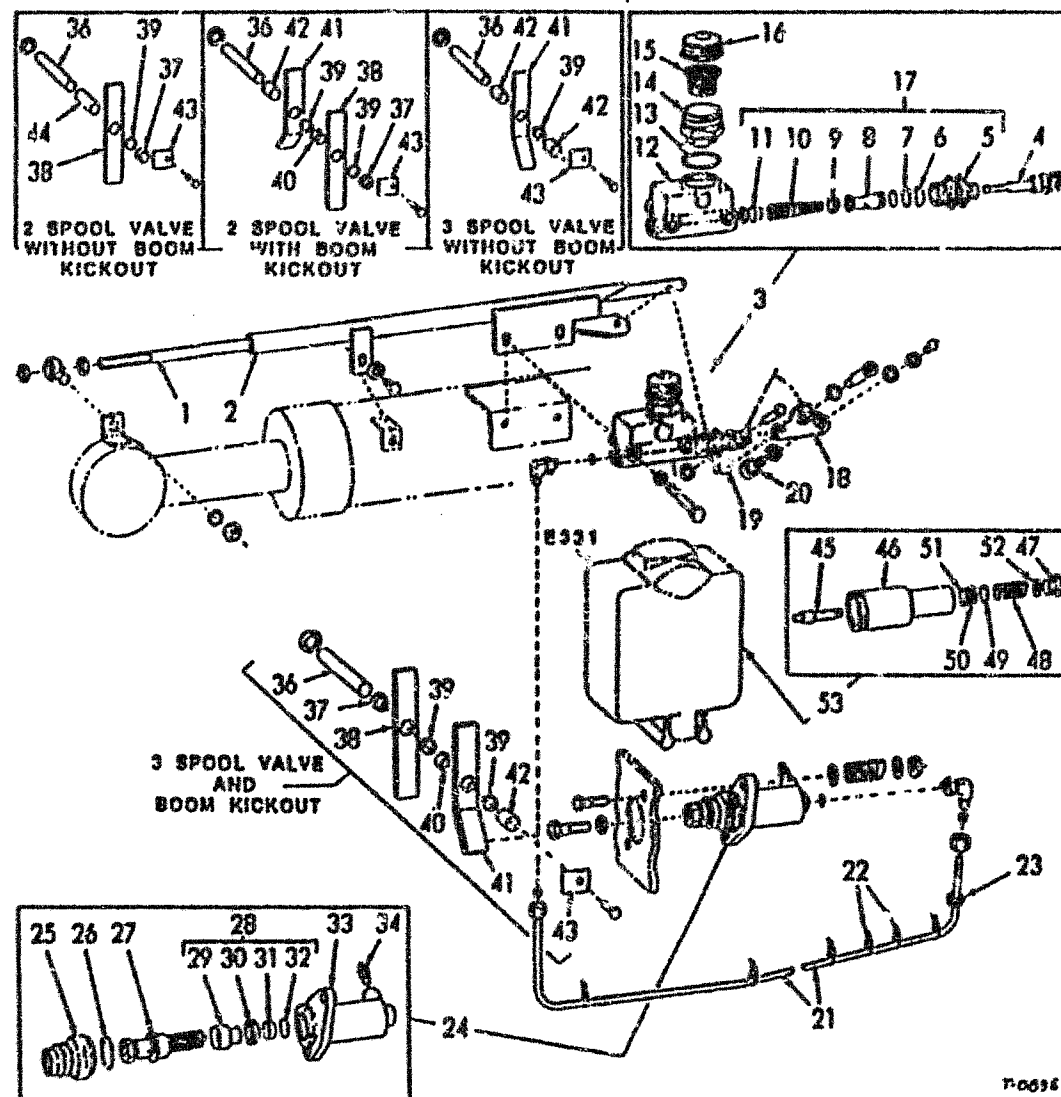
ITEM	PART NO.	QTY.	CODE	DESCRIPTION	DENOMINAZIONE
25	70067487	1	330C	BOOT	CUFFIA DI PROTEZIONE
			600V	REFER TO ITEM 35	RIFERIRSI AL PART.
26	70927694	1	45A	RING	ANELLO
			600V	REFER TO ITEM 35	RIFERIRSI AL PART.
27	73058960	1	90A	ROD	ASTA
			600H	SERVICED AS A UNIT	FORNITO COME COMPLESS.
28	73058959	1	235S	PISTON	STANTUFFO
			600L	INCLUDES ITEM(S)29-32	INCLUDE PART.(1)
29	-----	1	235S	PISTON	STANTUFFO
			600M	ORDER ITEM(S)28	ORDINARE PARTIC.
30	73058962	1	60S	CUP	SCODELLINO
			600V	REFER TO ITEM 35	RIFERIRSI AL PART.
31	73058963	1	61S	RETAINER	SCODELLINO DI RITEGNO
			600V	REFER TO ITEM 35	RIFERIRSI AL PART.
32	70927783	1	45A	RING	ANELLO
			600V	REFER TO ITEM 35	RIFERIRSI AL PART.
33	-----	1	35S	HOUSING	SCATOLA
			600M	ORDER ITEM(S)24	ORDINARE PARTIC.
34	70638413	1	46V	SCREW, BLEEDING	VITE DI SPURGO
35	73058961	1	5001	REPAIR KIT	CORREDO DI RIPAR.
			600L	INCL ITEMS 25,26,30-32	INCLUDE PARTIC.(1)
36	73057869	1	16A	SHAFT	ALBERO
			70910255	131R WASHER	ROSETTA
37	73057188	1	75D	SPACER	DISTANZIALE
38	73057875	1	45L	LEVER	LEVA
			600L	INCLUDES ITEM(S)39	INCLUDE PARTIC.(1)
39	73057872	2	95B	BUSHING	BOCCOLA
40	73057197	1	75D	SPACER	DISTANZIALE
41	73057876	1	45L	LEVER	LEVA
			600L	INCLUDES ITEM(S)39	INCLUDE PARTIC.(1)
42	73057198	2	75D	SPACER	DISTANZIALE
43	73057868	1	61S	RETAINER	SCODELLINO DI RITEGNO
			70928182	1 40V CAPSCREW, 1/4"NC X 1/2"	VITE
44	73058106	1	75D	SPACER	DISTANZIALE
45	73068884	1	210P	STUD	PRIGIONIERO
46	73052674	1	20C	CAP	CALOTTA
47	73069094	1	50T	PLUG	TAPPO

FR11

AUTOMATIC BUCKET LEVELER
 POSIZIONATORE AUTOMATICO BENNA
 MISE A NIVEAU AUTOMATIQUE DU GODET
 AUTOMATISCHE KUBELNIVELLIERVORRICHTUNG
 NIVELACION AUTOMATICA DEL CUCHARON

E327/2

REVISED OCTOBER 1990



T-0036

USAGE: SPECIAL EQUIPMENT; USO: EQUIPAGGIAMENTO SPECIALE; USAGE: EQUIPMENT SPECIAL;
 VERWENDUNG: SONDERAUSRÜSTUNG; USO: EQUIPO ESPECIAL

ITEM PART NO. QTY. CODE DESCRIPTION

ITEM	PART NO.	QTY.	CODE	DESCRIPTION	DENOMINAZIONE
48	a73059182	1	100H	SPRING	MOLLA
49	a73051812	1	40C	CAM	CAMMA
50	a73051813	8	140S	BALL	SFERA
51	a73063558	1	131R	WASHER	ROSETTA
52	a73069092	1	131R	WASHER	ROSETTA
53	73058308	1	5001	REPAIR KIT	CORREDO DI RIPAR.
			600L	INCLUDES ITEM(S)45-52	INCLUDE PARTIC.(1)
54	73059021	-	206T	TUBE(100')	TUBO
			600P	AS REQUIRED	DEFINITO AL MONTAGGIO

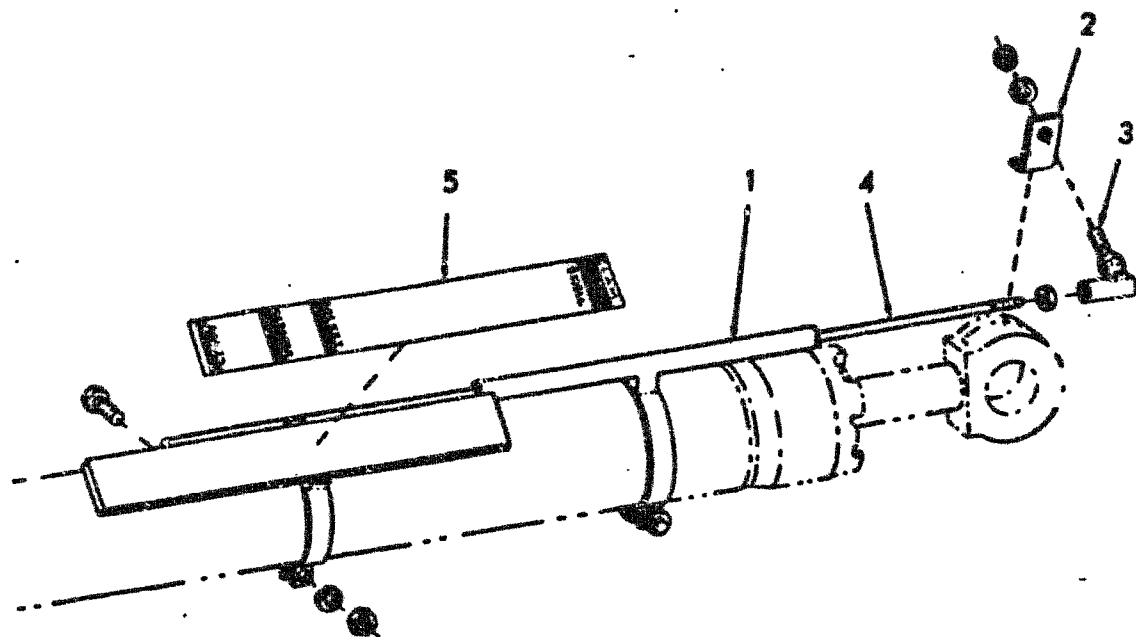
6.REFER TO ITEM 53
 RIFERIRSI AL PART.

FR11

AUTOMATIC BUCKET LEVELER
 POSIZIONATORE AUTOMATICO BENNA
 MISE A NIVEAU AUTOMATIQUE DU GODET
 AUTOMATISCHE KUBELNIVELLIERVORRICHTUNG
 NIVELACION AUTOMATICA DEL CUCHARON

E327/2

REVISED OCTOBER 1990

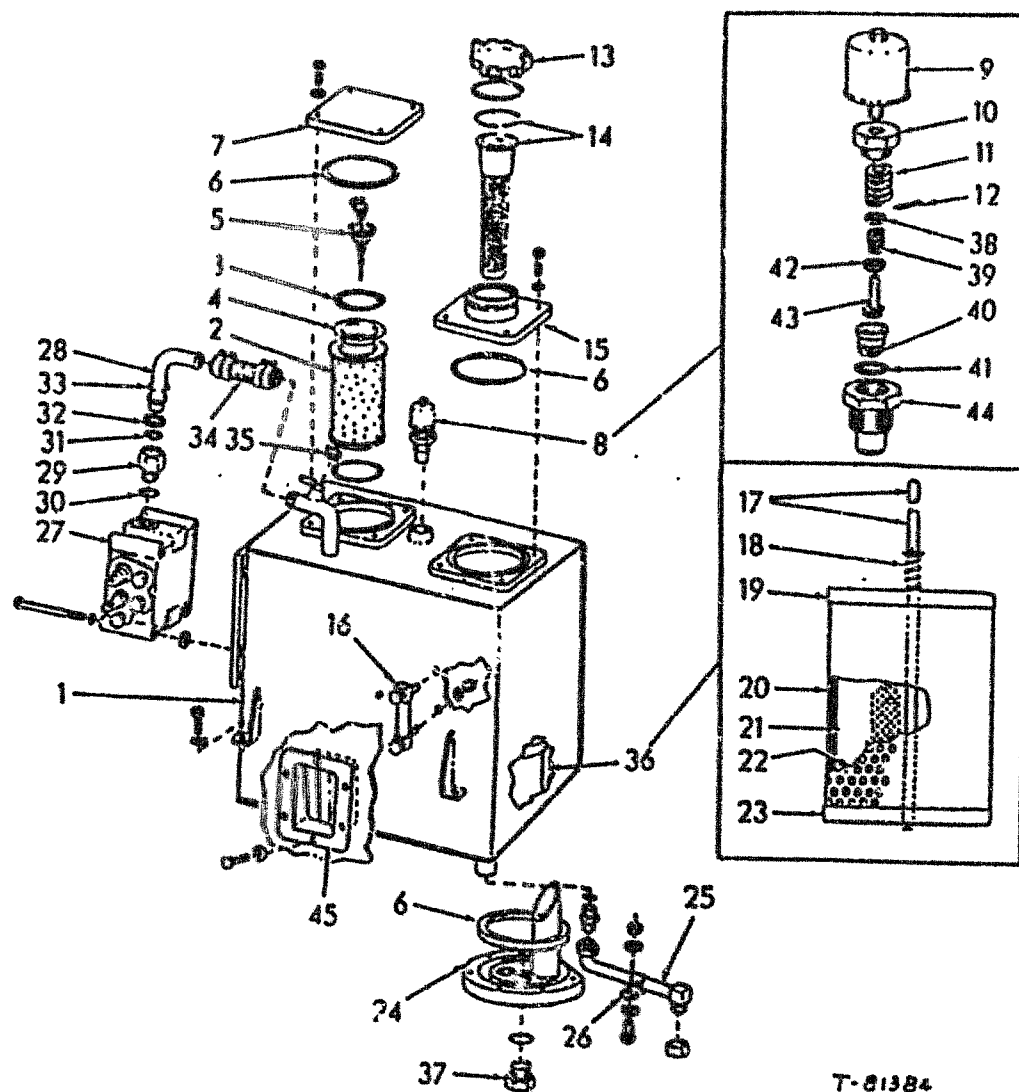


T-78788

ITEM	PART NO.	QTY.	CODE	DESCRIPTION	DENOMINAZIONE
1	73135400	1	87S	INDICATOR	SEGNALATORE
			600R	INCL. HARDWARE	INCL. VITERIA
2	73057004	1	230S	BRACKET, MOUNTING	STAFFETTA FISSAGGIO
			600T	REQUIRES WELDING	DA SALDARE
3	73045248	1	708	BALL JOINT	GIUNTO SFERICO
	70933037	1	10D	NUT	DADO
	70910195	2	10D	NUT	DADO
	70928188	2	131R	WASHER	ROSETTA
4	73056989	1	90A	ROD	ASTA
5	73065941	1	8D	DECAL	DECALCOMANIA

USAGE: SPECIAL EQUIPMENT FOR MULTIPURPOSE BUCKET; USO: EQUIPAGGIAMENTO SPECIALE PER BENNA
 MULTIPLO USO; USAGE: EQUIPEMENT SPECIAL POUR GODET USAGE MULTIPLE; VERWENDUNG:
 SONDERAUSRUSTUNG FUR MEHRZWECKKUBEL; USO: EQUIP ESPECIAL PARA CUCHARON USO MULTIPLE

FR11	BUCKET LEVEL POSITION INDICATOR 106" WIDTH BENNA-INDICATORE POSIZIONE INDICATEUR DE POSITION DU GODET KUBELNIVEAUANZEIGER INDICADOR DE LA POSICION DEL CUCHARON	E327/4



T-81384

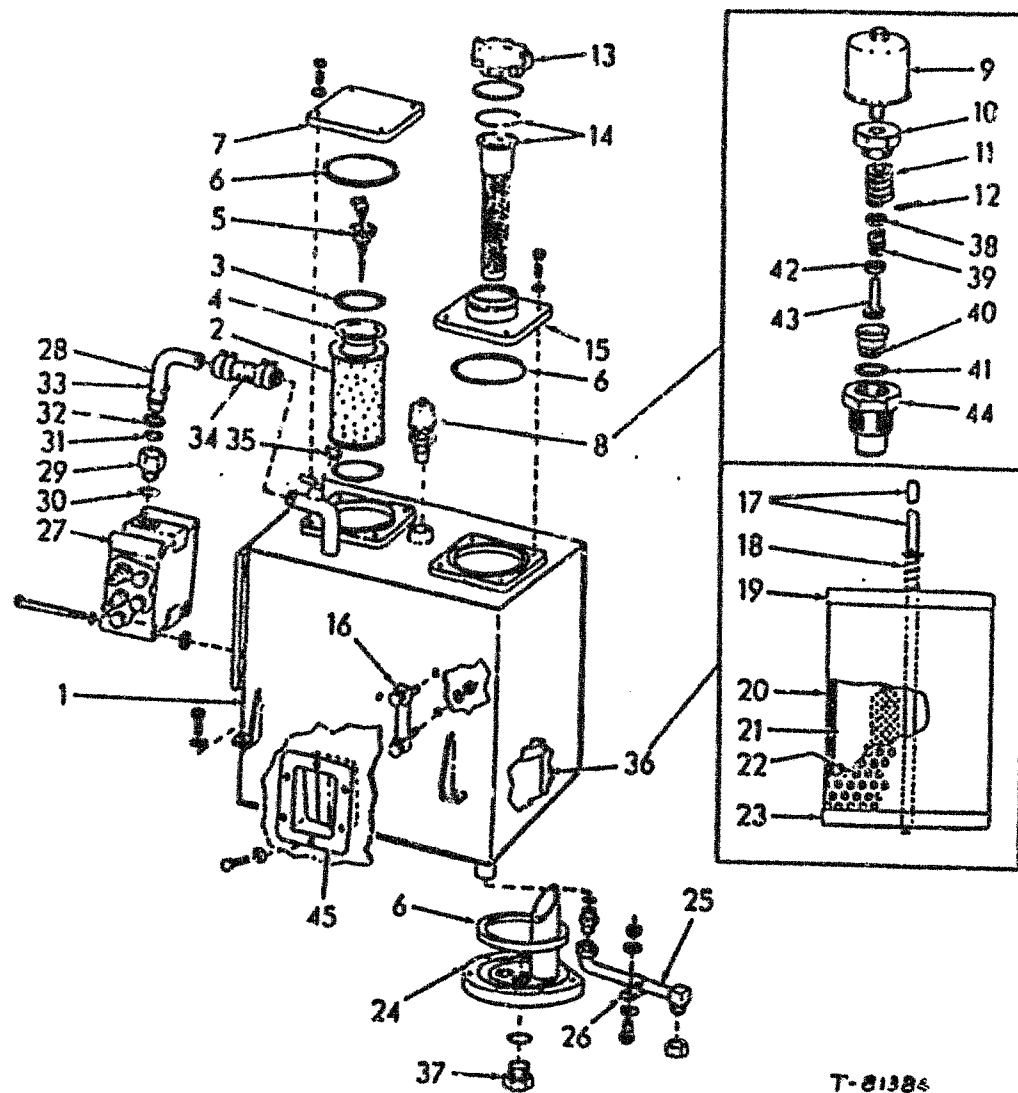
ITEM	PART NO.	QTY.	CODE	DESCRIPTION	DENOMINAZIONE
1	76010886	1	115S	TANK	SERBATOIO
	70920583	4	40V	CAPSCREW, 1/2"NC X 1-1/2"	VITE
	70677008	8	131R	WASHER	ROSETTA
2	70666421	1	20E	FILTER ELEMENT	ELEMENTO FILTRANTE
3	70663977	2	123G	GASKET	GUARNIZIONE DI TENUTA
4	73053604	1	60S	CUP	SCODELLINO
5	73045861	1	10V	VALVE	VALVOLA
			600N	SERVICED AS A UNIT	FORNITO COME COMPLESS.
6	70926821	3	45A	RING	ANELLO
7	73045324	1	265C	COVER	COPERCHIO
	70921076	4	40V	CAPSCREW, 3/8"NC X 1-1/4"	VITE
	70929156	4	131R	WASHER	ROSETTA
8	76010037	1	10V	VALVE	VALVOLA
			600L	INCLUDES ITEM(S) 9-12,38-43	INCLUDE PARTIC.(1)
9	45482288	1	65F	FILTER	FILTRO
10	45013953	1	50T	PLUG	TAPPO
11	45013956	1	100M	SPRING	MOLLA
12	14157370	1	81F	PIN, SECURING	PERNO DI FISSAGGIO
			600M	ORDER ITEM(S)36	ORDINARE PARTIC.
13	70665726	1	20C	CAP	CALOTTA
	70923950	1	55A	O-RING	ANELLO DI TENUTA
14	79043879	1	43R	STRAINER, FILTER	RETICELLA DEL FILTRO
	04971843	1	56A	RING, RETAINING	ANELLO DI RITEGNO
15	76011473	1	265C	COVER	COPERCHIO
	70921076	4	40V	CAPSCREW, 3/8"NC X 1-1/4"	VITE
	70929156	4	131R	WASHER	ROSETTA
16	70678984	1	311	GAUGE, LEVEL	INDICATORE LIVELLO
	70906961	2	132R	LOCKWASHER	ROSETTA DI SICUREZZA
	70919262	2	10D	NUT, 1/2"NF	DADO
17	73066031	1	90A	ROD	ASTA
	70900802	2	81P	PIN, SECURING	PERNO DI FISSAGGIO
	70911115	1	131R	WASHER	ROSETTA
18	73066048	1	100M	SPRING	MOLLA

FR.1

HYDRAULIC TANK
SERBATOIO IDRAULICO
RESERVOIR HYDRAULIQUE
HYDRAULIKTANK
TANQUE DEL SISTEMA HIDRAULICO

E328

REVISED OCTOBER 1990



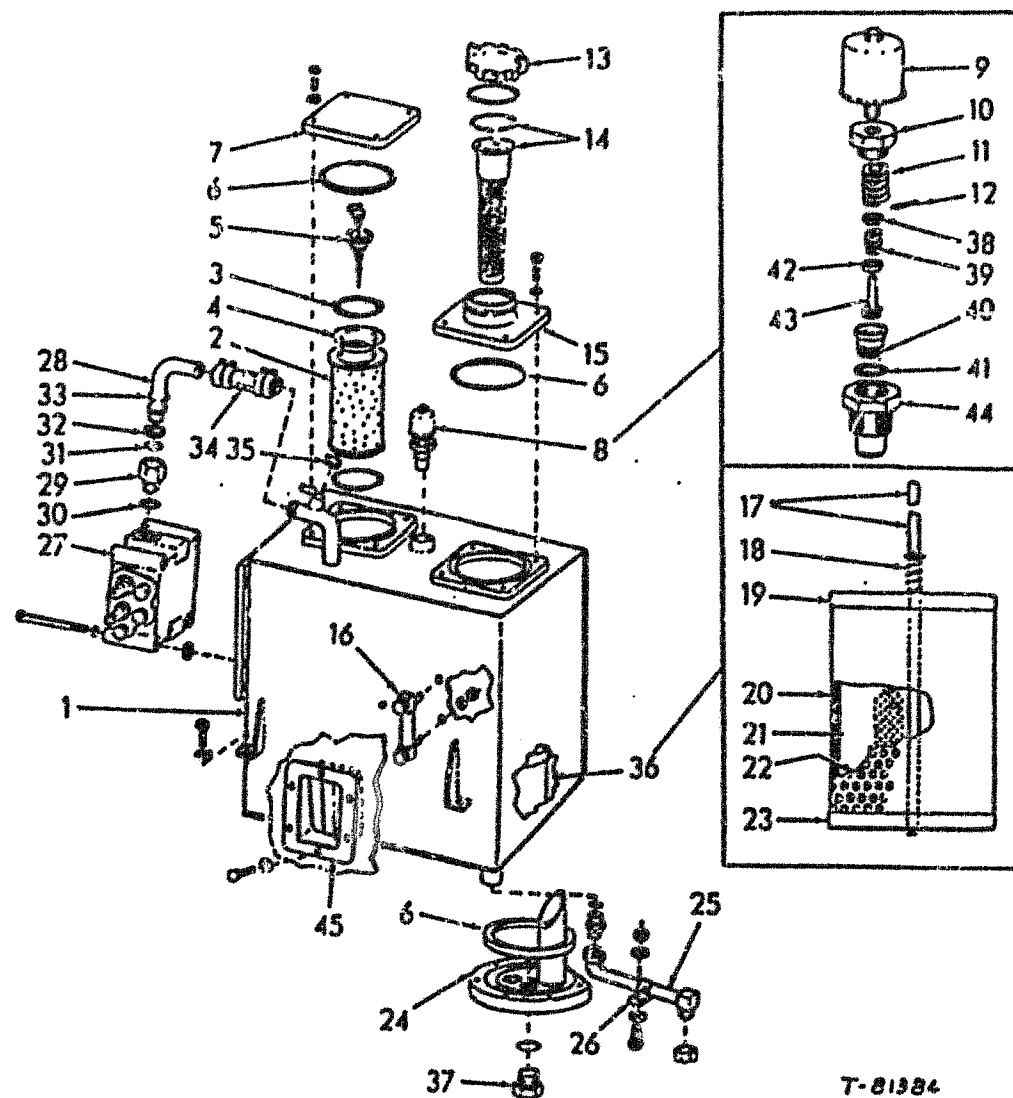
ITEM	PART NO.	QTY.	LEX.	DESCRIPTION
19	73066018	1	265C	COVER
20	73066037	1	78F	LINER
21	73066036	1	206T	TUBE
			600E	INNER
22	73066035	1	265C	COVER
			600F	OUTR
23	73138473	1	265C	COVER
24	73137110	1	206T	TUBE
	70922076	6	40V	CAPSCREW, 3/8"NC X 1-1/4"
	70929156	6	131R	WASHER
25	73073977	1	206T	TUBE
	70921228	1	75B	CONNECTOR, 1-5/16"
			600K	INCLUDES O-RING
	70921214	1	55A	O-RING
	70922195	1	20C	CAP
26	73011248	1	120M	CLAMP
	70921076	1	40V	CAPSCREW, 3/8"NC X 1-1/4"
	70677006	2	131R	WASHER
	70933623	1	10D	NUT, 3/8"NC
27	a79069330	1	83D	VALVE, CONTROL (E331)
	b79069331	1	83D	VALVE, CONTROL (E331/1)
	70929871	3	40V	CAPSCREW, 1/2"NC X 5"
	70928188	6	131R	WASHER
	70923163	1	75B	CONNECTOR, 7/16"
			600K	INCLUDES O-RING
	70921883	1	55A	O-RING
	70921467	1	20C	CAP
28	73044288	1	206T	TUBE
			600L	INCL. ITEMS 29-33
29	-----	1	10D	NUT
			600M	ORDER ITEM(S) 28
30	70921235	1	55A	O-RING, 1-31/64" I.D.
31	70923813	1	55A	O-RING, 1-23/64" I.D.
32	70929397	1	131R	WASHER
33	70929398	1	60F	WIRE

FR11.

HYDRAULIC TANK

E328

REVISED OCTOBER 1990



T-81384

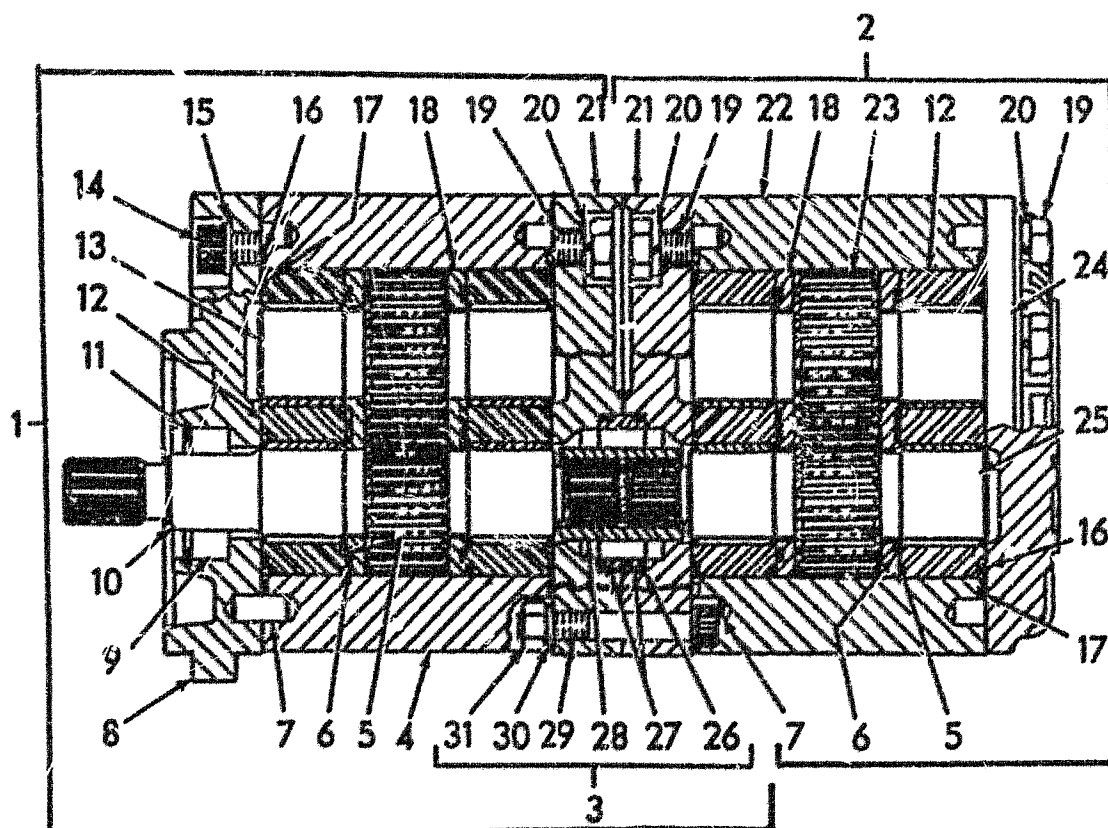
ITEM	PART NO.	QTY.	CODE	DESCRIPTION	DENOMINAZIONE
34	76015373	1	192T	HOSE	TUBO FLESSIBILE
	79083845	2	120M	CLAMP	MORSETTO COLLARE
35	73072249	1	20C	CAP	CALOTTA
36	73138474	1	67F	FILTER, OIL	FILTRO OLIO
			600L	INCLUDES ITEM(S) 17-23	INCLUDE PARTIC.(1)
37	70921216	1	50T	PLUG	TAPPO
			600K	INCLUDES O-RING	INCLUDE O-RING
	70921214	1	55A	O-RING	ANELLO DI TENUTA
38	45019984	1	131R	WASHER	ROSETTA
39	45019986	1	100M	SPRING	MOLLA
40	45019983	1	10V	VALVE	VALVOLA
41	14457180	1	55A	O-RING	ANELLO DI TENUTA
42	45020008	1	133R	SEAL	GUARNIZIONE TENUTA
43	45019985	1	61S	RETAINER	SCODELLINO DI RITEGHO
44	76010036	1	300C	BODY	CORPO
45	76010890	1	115G	GUARD	PROTEZIONE
	16043331	6	40V	CAPSCREW, M8 X 1.25 X 16MM	VITE
	14499431	6	131R	WASHER	ROSETTA
a.2 SPOOL.					
2 CASSETTI.					
2 TIROIRS.					
2 WEGE.					
2 CARRETES.					
b.3 SPOOL.					
3 CASSETTI.					
3 TIROIRS.					
3 WEGE.					
3 CARRETES.					

FR11

HYDRAULIC TANK
SERBATOIO IDRAULICO
RESERVOIR HYDRAULIQUE
HYDRAULIKTANK
TANQUE DEL SISTEMA HIDRAULICO

E 328

REVISED OCTOBER 1990



T-01132

ITEM	PART NO.	QTY.	CODE	DESCRIPTION	DENOMINAZIONE
-	79057104	1	161P	PUMP, HYDRAULIC	POMPA IDRAULICA
			600L	INCLUDES ITEM(S)1-31	INCLUDE PARTIC.(1)
1	79060212	1	155P	PUMP	POMPA
			600G	FRONT	ANTERIORE
			600L	INCLUDES ITEM(S)13-21	INCLUDE PARTIC.(1)
2	79060213	1	155P	PUMP	POMPA
			600H	REAR	POSTERIORE
			600L	INCLUDES ITEM(S)	INCLUDE PARTIC.(1)
				5-7,12,16-25	
3	79060310	1	67G	COUPLING	GIUNTO
			600L	INCLUDES ITEM(S)26-31	INCLUDE PARTIC.(1)
4	-----	1	300C	BODY	CORPO
5	-----	2	133R	SEAL	GUARNIZIONE TENUTA
6	-----	2	45A	RING	ANELLO
7	79032711	4	80P	PIN	PERNO
8	79055686	1	265C	COVER	COPERCHIO
9	-----	2	133R	SEAL	GUARNIZIONE TENUTA
10	-----	1	521	GEAR, DRIVING	INGRANAGGIO CONDUTTORE
			600V	REFER TO ITEM 32	RIFERIRSI AL PART.
11	11060076	1	56A	RING, RETAINING	ANELLO DI RITEGNO
12	79032757	2	95B	BUSHING	BOCCOLA
13	-----	1	511	GEAR, DRIVEN	INGRANAGGIO CONDOTTO
			600V	REFER TO ITEM 32	RIFERIRSI AL PART.
14	14420220	8	42V	SCREW	VITE
15	10615771	8	131R	WASHER	ROSETTA
16	14456081	2	55A	O-RING	ANELLO DI TENUTA
17	-----	2	133R	SEAL	GUARNIZIONE TENUTA
18	79032755	2	52A	PLATE, PRESSURE	ANELLO SPINGIDISCO
19	11106421	8	42V	SCREW	VITE
20	10571871	8	132R	LOCKWASHER	ROSETTA DI SICUREZZA
21	79060215	1	265C	COVER	COPERCHIO
22	-----	1	300C	BODY	CORPO
23	-----	1	511	GEAR, DRIVEN	INGRANAGGIO CONDOTTO
			600V	REFER TO ITEM 33	RIFERIRSI AL PART.
24	79032754	1	265C	COVER	COPERCHIO
25	-----	1	521	GEAR, DRIVING	INGRANAGGIO CONDUTTORE
			600V	REFER TO ITEM 33	RIFERIRSI AL PART.

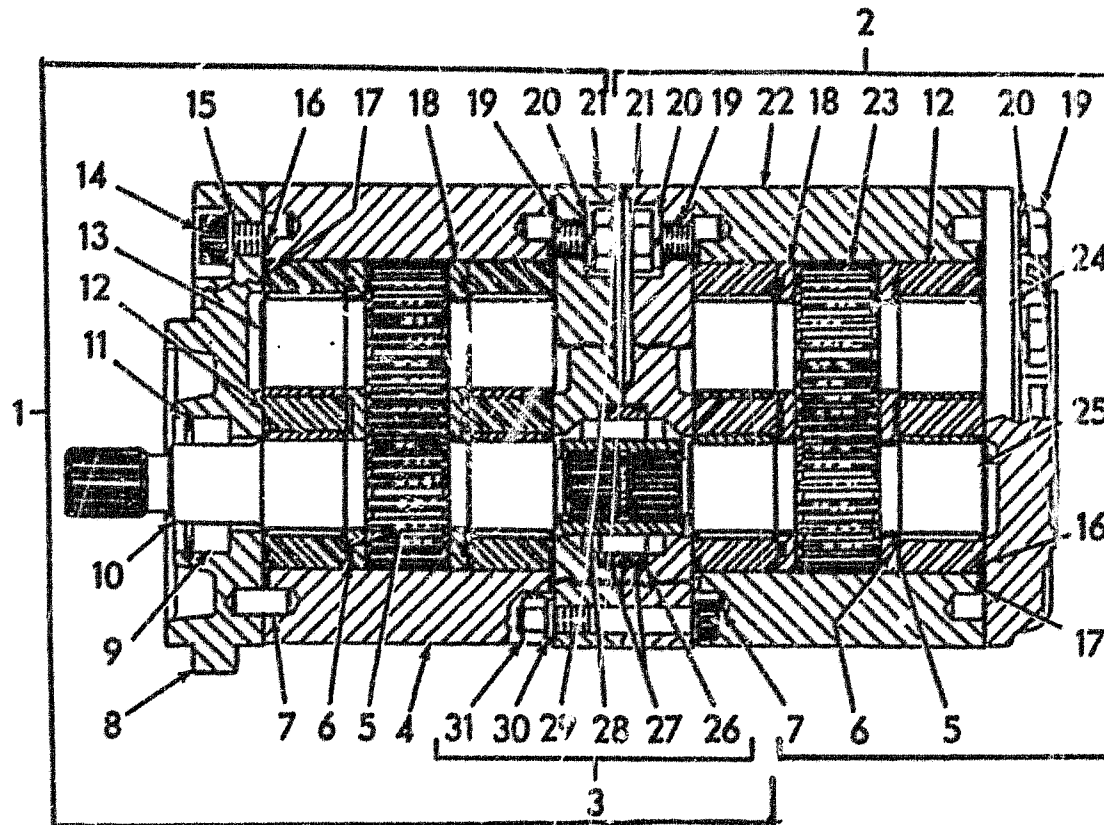
FR11

PUMPS, HYDRAULIC
 POMPE, IDRAULICA
 POMPES SYSTEME HYDRAULIQUE
 PUMPEN HYDRAULIK-
 BOMBAS SISTEMA HIDRAULICO

E329

2

REVISED OCTOBER 1990



T-01132

ITEM	PART NO.	QTY.	CODE	DESCRIPTION	DEGNOMINAZIONE
26	-----	1	45A	RING	ANELLO
27	14454980	2	55A	O-RING	ANELLO DI TENUTA
28	-----	1	57A	SLEEVE, SPLINED	ANELLO DENTATO
29	14302226	4	42V	SCREW	VITE
30	10571771	4	132R	LOCKWASHER	ROSETTA DI SICUREZZA
31	15102221	4	10D	NUT	DADO
32	79060247	1	5001	REPAIR KIT	CORREDO DI RIPAR.
			600L	INCLUDES ITEM(S)10,13	INCLUDE PARTIC.(1)
33	79060249	1	5001	REPAIR KIT	CORREDO DI RIPAR.
			600L	INCLUDES ITEM(S)23,25	INCLUDE PARTIC.(1)
34	79060246	1	5001	REPAIR KIT	CORREDO DI RIPAR.
			600L	INCLUDES ITEM(S) 5,6,9,11,16,17	INCLUDE PARTIC.(1)

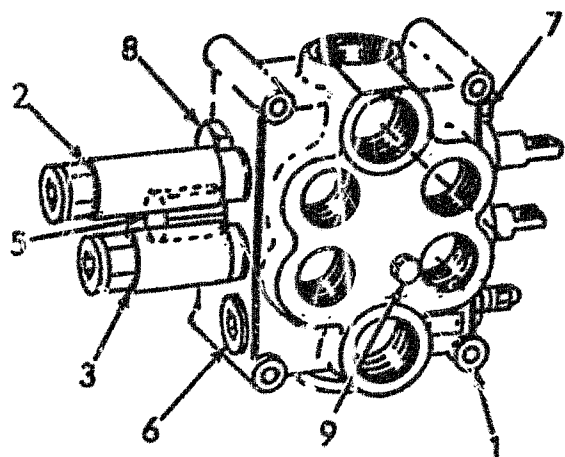
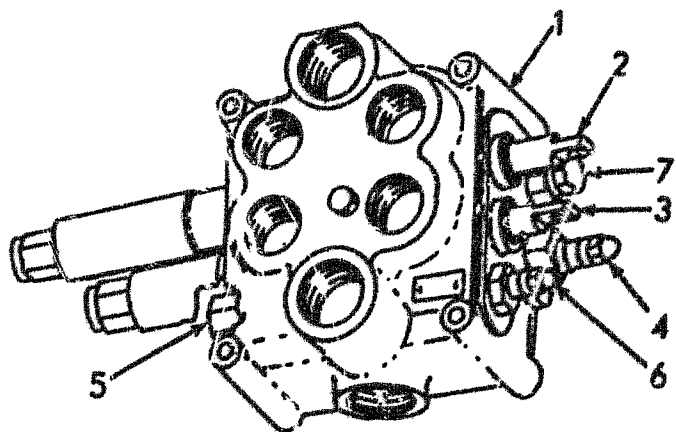
FR11

PUMPS, HYDRAULIC
 POMPE, IDRAULICA
 POMPES SYSTEME HYDRAULIQUE
 PUMPEN HYDRAULIK-
 BOMBAS SISTEMA HIDRAULICO

E329

2

REVISED OCTOBER 1990



T-85358

ITEM	PART NO.	QTY.	LEX.	DESCRIPTION
1	79069330	1	83D	VALVE, CONTROL
			600L	INCLUDES ITEMS 2-8
2	-----	1	501C	SPOOL, LIFT (E331(3))
3	-----	1	501C	SPOOL, DUMP (E331(2))
	-----	1	501C	SPOOL, DUMP (E331(2A))
4	-----	1	10V	VALVE, DUMP OVERLOAD (E331(6))
5	-----	1	10V	VALVE, RETRACT RELIEF (E331(7))
6	-----	1	10V	VALVE, MAIN RELIEF (E331(4))
7	-----	1	10V	VALVE, MAKE-UP & CHECK (E331(8))
8	-----	1	10V	VALVE, LOAD CHECK (E331(5))
9	70923166	1	50T	PLUG
			600K	INCLUDES O-RING
	70921883	1	55A	O-RING

USAGE: PRIOR TO UNIT NO. 530305

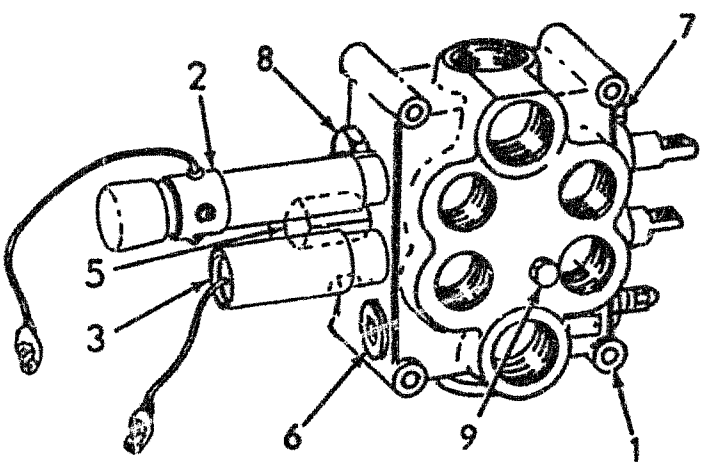
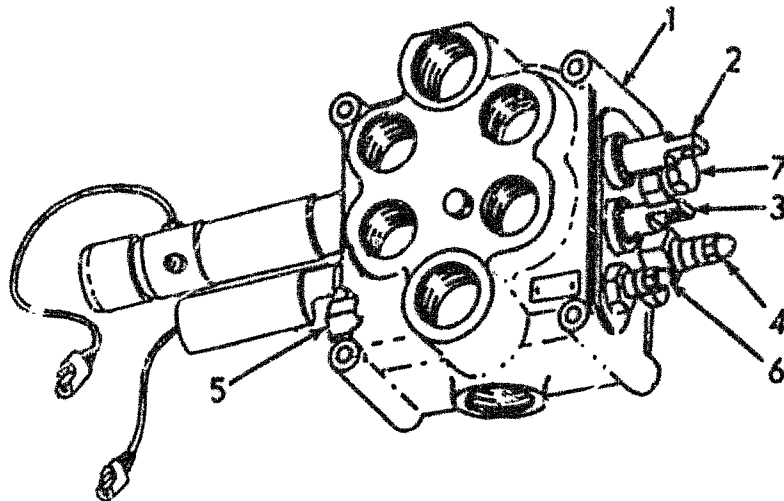
FR11

CONTROL VALVE ASSEMBLY

E331

1

REVISED OCTOBER 1990



T-95356

ITEM	PART NO.	QTY.	LEX.	DESCRIPTION
1	79086478	1	83D	VALVE, CONTROL
			600L	INCLUDES ITEMS 2-8
2	-----	1	501C	SPOOL, LIFT (E331(3A))
3	-----	1	501C	SPOOL, DUMP (E331(2))
			501C	SPOOL, DUMP (E331(2A))
4	-----	1	10V	VALVE, DUMP OVERLOAD (E331(6))
5	-----	1	10V	VALVE, RETRACT RELIEF (E331(7))
6	-----	1	10V	VALVE, MAIN RELIEF (E331(4))
7	-----	1	10V	VALVE, MAKE-UP & CHECK (E331(8))
8	-----	1	10V	VALVE, LOAD CHECK (E331(5))
9	70923166	1	50T	PLUG
			600K	INCLUDES O-RING
	70921393	1	55A	O-RING

USAGE: UNIT NO. 530305 AND UP

FR11

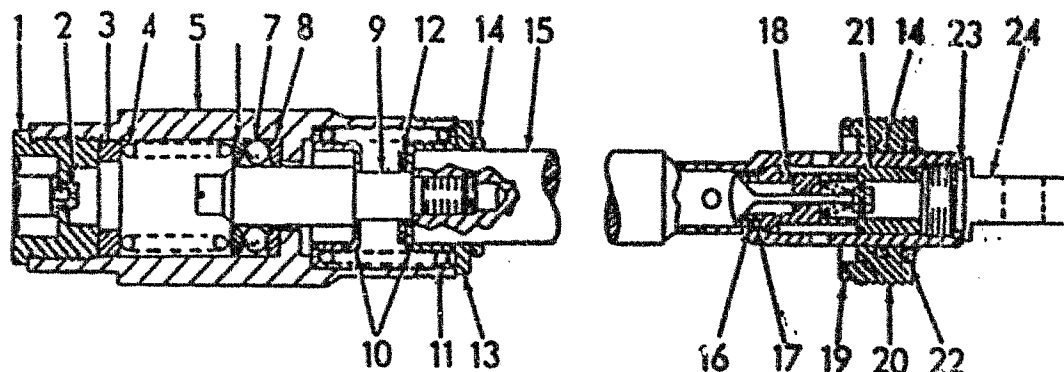
CONTROL VALVE ASSEMBLY

E331

1A

ADDED OCTOBER 1990

E331(2)



T-85312

USAGE: STANDARD 2 SPOOL VALVE; USO: DISTRIBUTORE STANDARD A 2 CASSETTI; USAGE:
 DISTRIBUTEUR STANDARD A 2 TIROIRS; VERWENDUNG: STANDARD-ZWEIFVENTIL; USO: VALVULA
 STANDARD DE 2 CARRETES.

ITEM	PART NO.	QTY.	CODE	DESCRIPTION	DENOMINAZIONE
1	b73072738	1	50T	FLUG	TAPPO
2	73072735	1	145S	BREATHER	SFIATATOIO
3	b73069092	1	131R	WASHER	ROSETTA
4	b73059182	1	100M	SPRING	MOLLA
5	73052674	1	300C	BODY	CORPO
6	b73051812	1	60S	CUP	SCODELLINO
7	b73051813	8	140S	BALL	SFERA
8	b730E3558	1	131R	WASHER	ROSETTA
9	c79066611	1	210P	STUD	PRIGIONIERO
10	c73046094	2	75D	SPACER	DISTANZIALE
11	c73059122	1	100M	SPRING	MOLLA
12	c73050693	1	131R	WASHER	ROSETTA
13	73046097	1	60D	DISC	DISCO
14	70923567	2	55A	O-RING, .987 X .103	ANELLO DI TENUTA
15	73059123	1	501C	SPOOL	CASSETTO
16	a70923846	1	55A	O-RING, .489 X .070	ANELLO DI TENUTA
17	a70928581	1	133R	SEAL, .518 X 0.45	GUARNIZIONE TENUTA
18	79066609	1	10V	VALVE	VALVOLA
19	a70924791	1	55A	O-RING, 1.424 X .103	ANELLO DI TENUTA
20	73046101	1	70F	FLANGE	FLANGIA
21	79066613	1	75D	SPACER	DISTANZIALE
22	a73046102	1	133R	SEAL	GUARNIZIONE TENUTA
23	a70921349	1	55A	O-RING, .644	ANELLO DI TENUTA
24	a79066614	1	120	EYE	OCCHIELLO
25	79066660	1	129S	KIT	SERIE
			600L	INCLUDES ITEM(S)	INCLUDE PARTIC.(1)
				16,17,19,22-24	
26	79066661	1	129S	KIT	SERIE
			600L	INCLUDES ITEM(S)	INCLUDE PARTIC.(1)
				1,3,4,6-8	
27	79066662	1	129S	KIT	SERIE
			600L	INCLUDES ITEMS 10-12	INCLUDE PARTIC.(1)

a.REFER TO ITEM 25

b.REFER TO ITEM 26

c.REFER TO ITEM 27

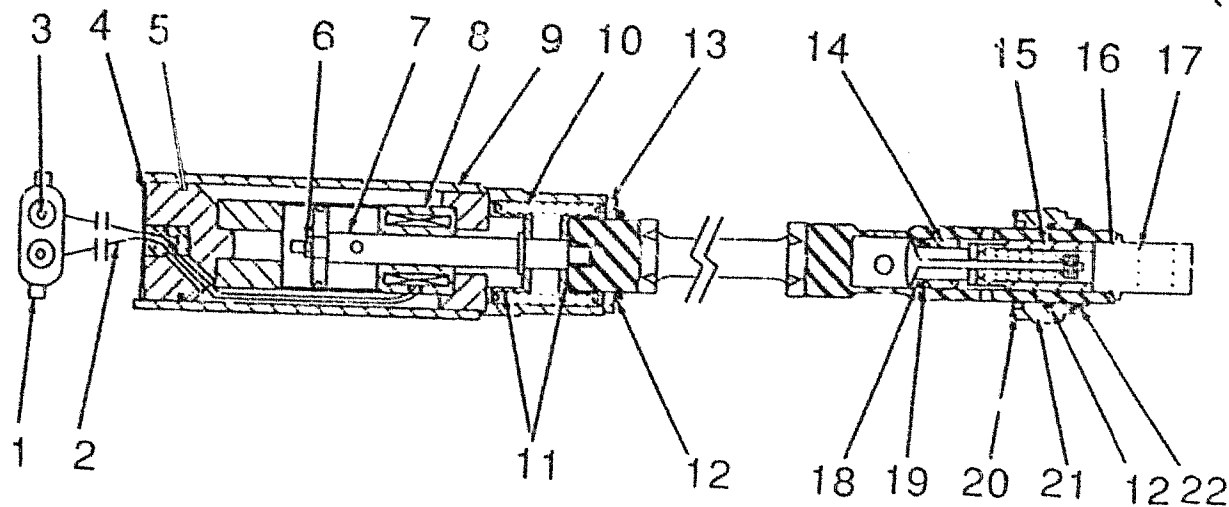
FR11

CONTROL VALVE ASSEMBLY
 DISTRIBUTORE IMPIANTO IDRAULICO
 DISTRIBUTEUR DU SYSTEME HYDRAULIQUE
 HYDRAULISCHE ANLAGESTEUEVENTIL
 VALVULA DE MANDO DEL SISTEMA HIDRAULICO

E331

2

REVISED OCTOBER 1990



ITEM	PART NO.	QTY.	CODE	DESCRIPTION	DENOMIN
1	79092089	1	235C	CONNECTION	
2	79092087	1	140G	SHEATH	
3	79092088	2	80P	PIN	
4	79092086	1		CLIP	
5	70923865	1	55A	O-RING	
6	75127833	1	10D	NUT	
7	75127835	1	210P	STUD DETENT	
8	79092085	1	30E	SOLENOID	
9	79092090	1	20C	CAP	
10	73059122	1	100M	SPRING	
11	73046094	2	75D	SPACER	
12	70923567	2	55A	O-RING	
13	73046097	1	131R	WASHER	
14	79066609	1	10V	VALVE	
15	79066613	1	80S	SEAT	
16	70921349	1	55A	O-RING	
17	79066614	4	120	EYE, SPOOL	
18	70923846	1	55A	O-RING	
19	70928581	1	45A	RING, BACKUP	
20	70924791	1	55A	O-RING	
21	73046101	1	61S	RETAINER, SEAL	
22	73046102	1	133R	SEAL, WIPER	
23	79066660		129S	KIT	
				INCLUDES 16,18-20,22	

USAGE: TWO & THREE SPOOL VALVE S/N 530305 & UP

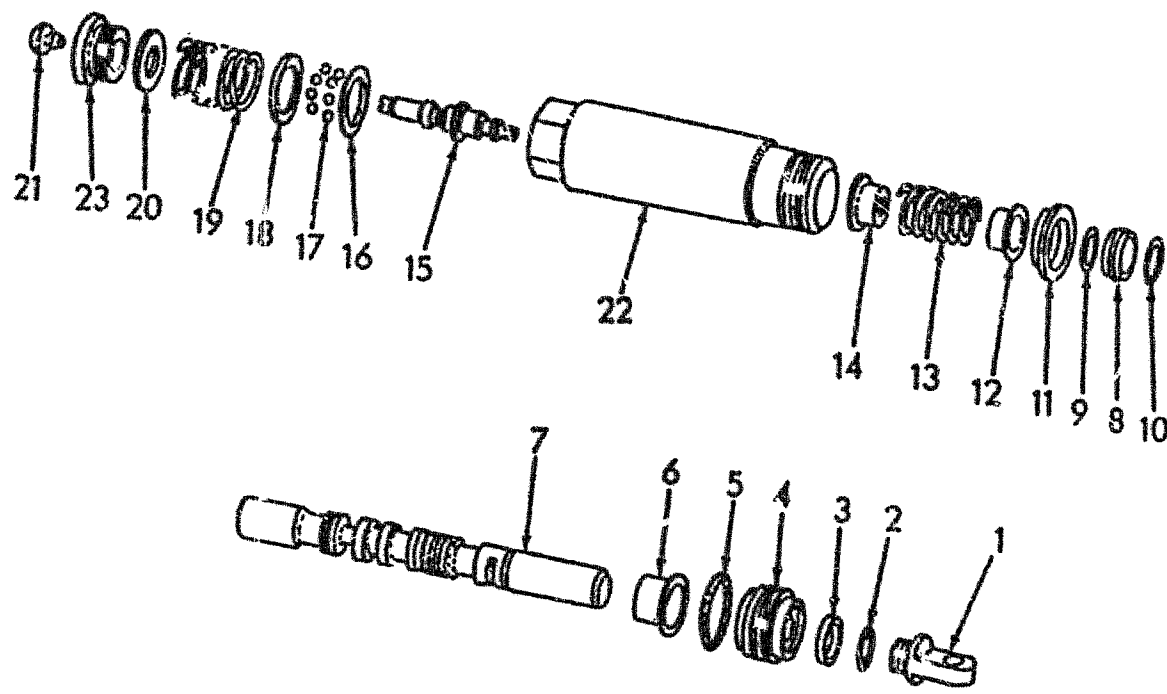
FR11

BUCKET DUMP & RETRACT SPOOL

E331

2A

REVISED AUGUST 92

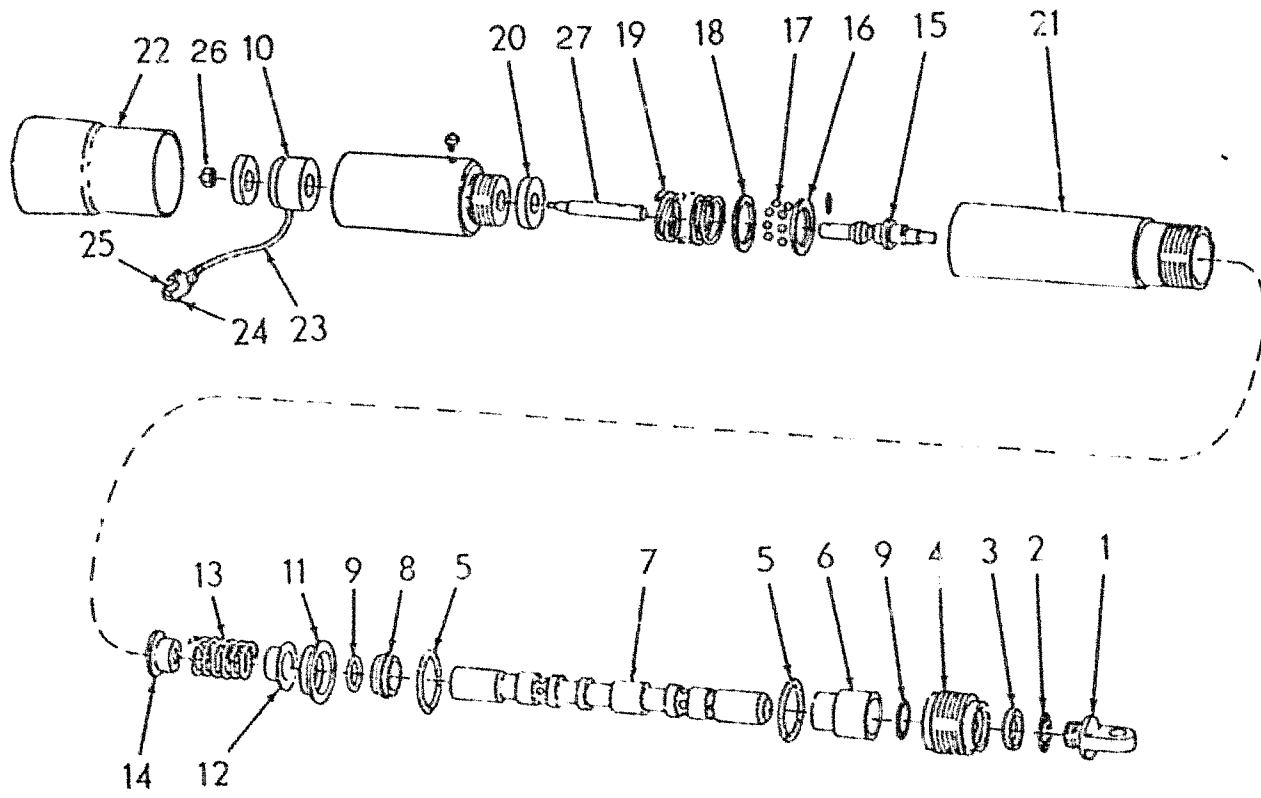


T-85712

ITEM	PART NO.	QTY.	LEX.	DESCRIPTION
1	79066614	1	120	EYE, SPOOL
2	c70921349	1	55A	O-RING
3	c73046102	1	133R	SEAL, WIPER
4	73046101	1	61S	RETAINER, SEAL
5	c70924791	1	55A	O-RING
6	73046111	1	59C	SLEEVE
7	-----	1	501C	SPOOL
			601C	NOT SERVICED
8	73046535	1	61S	RETAINER
9	c70924791	1	55A	O-RING
10	c70923567	1	55A	O-RING
11	73046106	1	61S	RETAINER, O-RING
12	a73046094	1	75D	SPACER
13	a79066610	1	100M	SPRING
14	a73052800	1	75D	SPACER
15	a73068883	1	210P	STUD, DETENT
16	b73063558	1	131R	WASHER
17	b73051813	8	140S	BALL
18	b73051812	1	60S	CUP
19	b73058495	1	100M	SPRING
20	b73069093	1	131R	WASHER
21	73072735	1	50T	PLUG VENT
22	73059127	1	20C	CAP
23	b73072738	1	20C	CAP, ADJUSTMENT
24	79066652	-	129S	KIT
			600L	INCL. ITEMS 12-15
25	79070960	-	129S	KIT
			600L	INCL. ITEMS 16-20, 23
26	79070961	-	129S	KIT
			600L	INCL. ITEMS 2,3,5,9,10
				a. Components of item 24
				b. Components of item 25
				c. Components of item 26

USAGE: PRIOR TO UNIT NO. 530305

FR11	BOOM LIFT & LOWER SPOOL	E331	3
		REVISED OCTOBER 1990	



T-01135

ITEM PART NO. QTY. LEX. DESCRIPTION

ITEM	PART NO.	QTY.	LEX.	DESCRIPTION
1	79092097	1	120	EYE, SPOOL
2	70921349	1	55A	O-RING
3	73046102	1	133R	SEAL, WIPER
4	79092096	1	61S	RETAINER, SEAL
5	70924791	2	55A	O-RING
6	79092095	1	59C	SLEEVE
7	-----	1	501C	SPOOL
			601C	NOT SERVICED
8	-----	1	61S	RETAINER
9	70923567	2	55A	O-RING
10	79092085	1	30E	SOLENOID
11	-----	1	61S	RETAINER, O-RING
12	73046094	1	75D	SPACER
13	73052799	1	100M	SPRING
14	73052800	1	75D	SPACER
15	-----	1	210P	STUD, DETENT
16	-----	1	131R	WASHER
17	73051813	8	140S	BALL
18	-----	1	40C	CAM
19	-----	1	100M	SPRING
20	-----	1	131R	WASHER
21	79092094	1	20C	CAP
22	79092092	1	330C	BOOT
23	79092093	1	140G	SHEATH
24	79092089	1	235C	CONNECTION
25	79092088	2	80P	PIN
26	75127833	1	10D	NUT
27	75127834	1	210P	STUD, DETENT

USAGE: TWO & THREE SPOOL VALVE S/N 530305

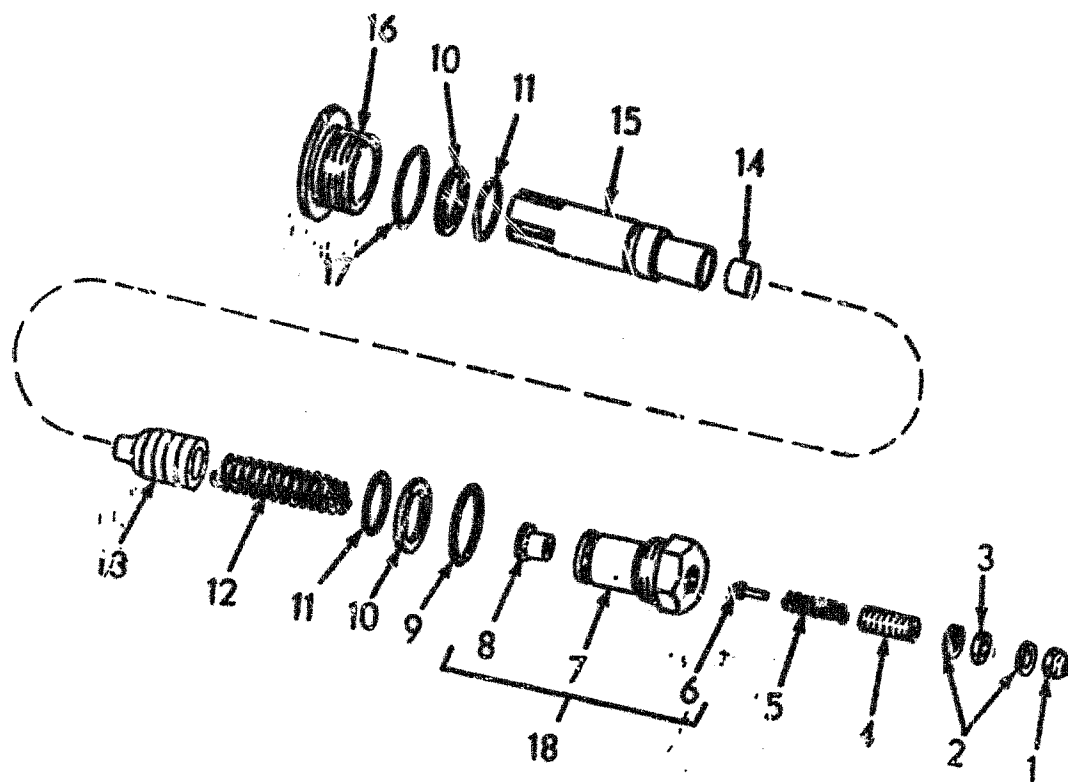
FR12B

BOOM LIFT & LOWER SPOOL

E331

3A

REVISED AUGUST 92



T-85713

ITEM PART NO. QTY. LEX. DESCRIPTION

ITEM	PART NO.	QTY.	LEX.	DESCRIPTION
1	70924236	1	10D	NUT, ACORN
2	a73046121	2	133R	SEAL
3	70910980	1	10D	NUT, JAM
4	70929252	1	51V	SCREW, ADJUSTABLE
5	73046117	1	100M	SPRING
6	-----	1	130P	PLUNGER
			600M	ORDER ITEM 17
7	-----	1	20C	CAP
			600M	ORDER ITEM 17
8	-----	1	80S	SEAT
			600M	ORDER ITEM 17
9	a70921885	1	55A	O-RING
10	a70928585	2	45A	RING, BACKUP
11	a70923849	2	55A	O-RING
12	73046113	1	100M	SPRING
13	73046118	1	501F	POPPET ASSY.
14	73055401	1	80S	SEAT
15	73055402	1	61S	RETAINER
16	70929603	1	50T	PLUG
17	a79066815	1	55A	O-RING
18	73054765	1	20C	CAP ASSY.
			600L	INCLUDES ITEMS 6-8
19	79066688	1	129S	KIT
			600L	INCL. ITEMS 2, 9, 10, 11, 17

a. Components of Item 19

USAGE: FIRST AND SECOND TYPE TWO & THREE SPOOL VALVE

FR11

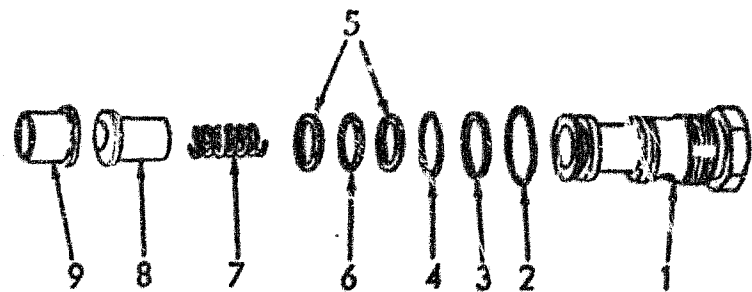
CONTROL VALVE MAIN
RELIEF SECTION

E331

4

REVISED OCTOBER 1980

E331(5)



T-85195

ITEM	PART NO.	QTY.	CODE	DESCRIPTION	DENOMINAZIONE	
1	73046954	1	00C	BODY	CORPO	
2	a70923849	1	95A	O-RING .799 X .103	ANELLO DI TENUTA	
3	a70927563	1	15A	RING	ANELLO	
4	a70923379	1	51A	O-RING	ANELLO DI TENUTA	
5	a70928584	2	45A	RING	ANELLO	
6	a70923645	1	55A	O-RING	ANELLO DI TENUTA	
7	b73046123	1	500M	SPRING	MOLLA	
8	b73046151	1	501F	POPPET	VALVOLA SOVRAPRESSIONE	
9	-----	1	80S	SEAT	SEDILE	
				601C	NOT SERVICED	NON FORNITO DI RICAMB.
10	79066667	1	129S	KIT	SERIE	
				600L	INCLUDES ITEM(S)2-6	INCLUDE PARTIC.(1)
11	79066656	1	129S	KIT	SERIE	
				600L	INCLUDES ITEM(S)7,8	INCLUDE PARTIC.(1)

a. COMPONENTS OF ITEM 10

b. COMPONENTS OF ITEM 11

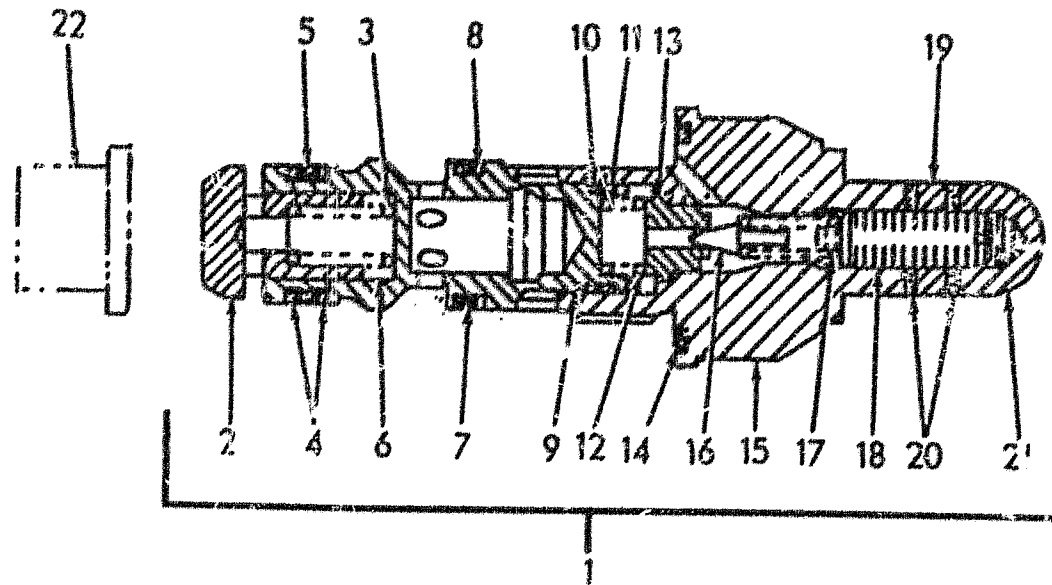
FR11

LOAD CHECK VALVE (LIFT SPOOL)

E331

5

REVISED OCTOBER 1960



T-853,5

ITEM	PART NO.	QTY.	CODE	DESCRIPTION	DENOMINAZIONE
1	79066484	1	11V	VALVE, PROTECTION (1250-1350 PSI)	VALVOLA DI PROTEZIONE
			600L	INCLUDES ITEMS 2-21	INCLUDE PARTIC.(1)
2	c73046151	1	501F	POPPET	VALVOLA SOVRAPRESSIONE
3	c73046123	1	100M	SPRING	MOLLA
4	a70928584	2	45A	RING, .640 X .129	ANELLO
5	a70923645	1	55A	O-RING, .612 X .103	ANELLO DI TENUTA
6	79066600	1	59C	SLEEVE	CANNOTTO
7	a70923379	1	55A	O-RING, .674 X .103	ANELLO DI TENUTA
8	a70927563	1	45A	RING, .702 X .129	ANELLO
9	b73054776	1	501F	POPPET	VALVOLA SOVRAPRESSIONE
10	a70926355	1	45A	RING, .547 X .087	ANELLO
11	a70926909	1	55A	O-RING, .21 X .070	ANELLO DI TENUTA
12	b73054775	1	100M	SPRING	MOLLA
13	73054768	1	80S	SEAT	SEDILE
14	a70924416	1	55A	O-RING, 1.112 X .103	ANELLO DI TENUTA
15	73054767	1	300C	BODY	CORPO
16	a73046116	1	130P	PLUNGER	PISTONCINO
17	e73046117	1	100M	SPRING	MOLLA
18	d73054377	1	42V	SCREW	VITE
19	d70910980	1	10D	NUT	DADO
20	a73046121	2	133R	SEAL	GUARNIZIONE TENUTA
21	d70924236	1	10D	NUT	DADO
22	-----	1	80S	SEAT	SEDILE
			601C	NOT SERVICED	NON FORNITO DI RICAMB.
23	79066664	1	129S	KIT	SERIE
			600L	INCLUDES ITEM(S) 4,5,7,8,10,11,14,20	INCLUDE PARTIC.(1)
24	79066665	1	129S	KIT	SERIE
			600L	INCLUDES ITEMS 9,12	INCLUDE PARTIC.(1)
25	79066665	1	129S	KIT	SERIE
			600L	INCLUDES ITEMS 2,3	INCLUDE PARTIC.(1)
26	79066666	1	129S	KIT	SERIE
			600L	INCLUDES ITEM(S) 18,19,21	INCLUDE PARTIC.(1)

FR11

DUMP RELIEF VALVE

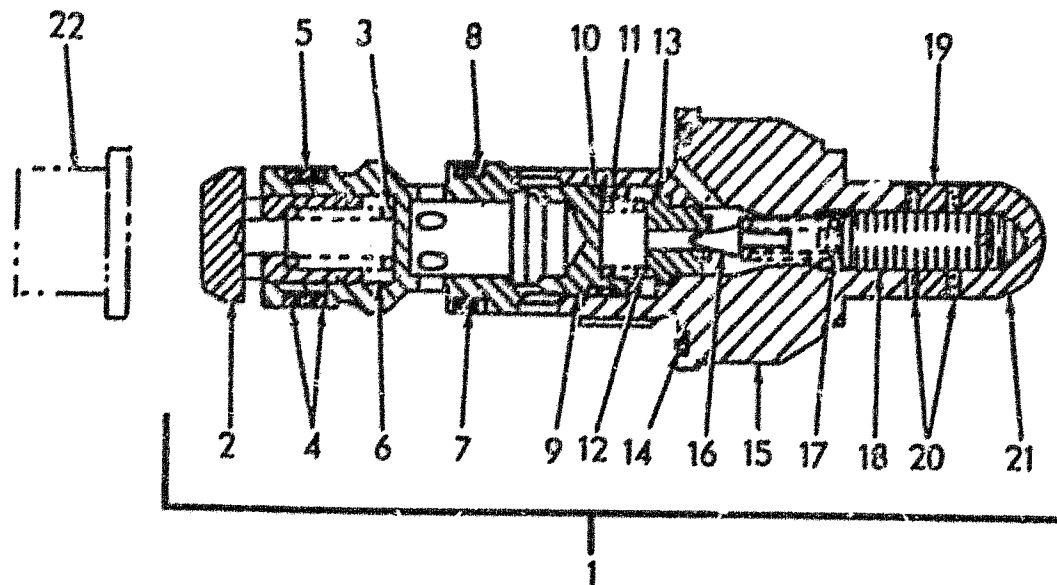
E331

6

REVISED OCTOBER 1990

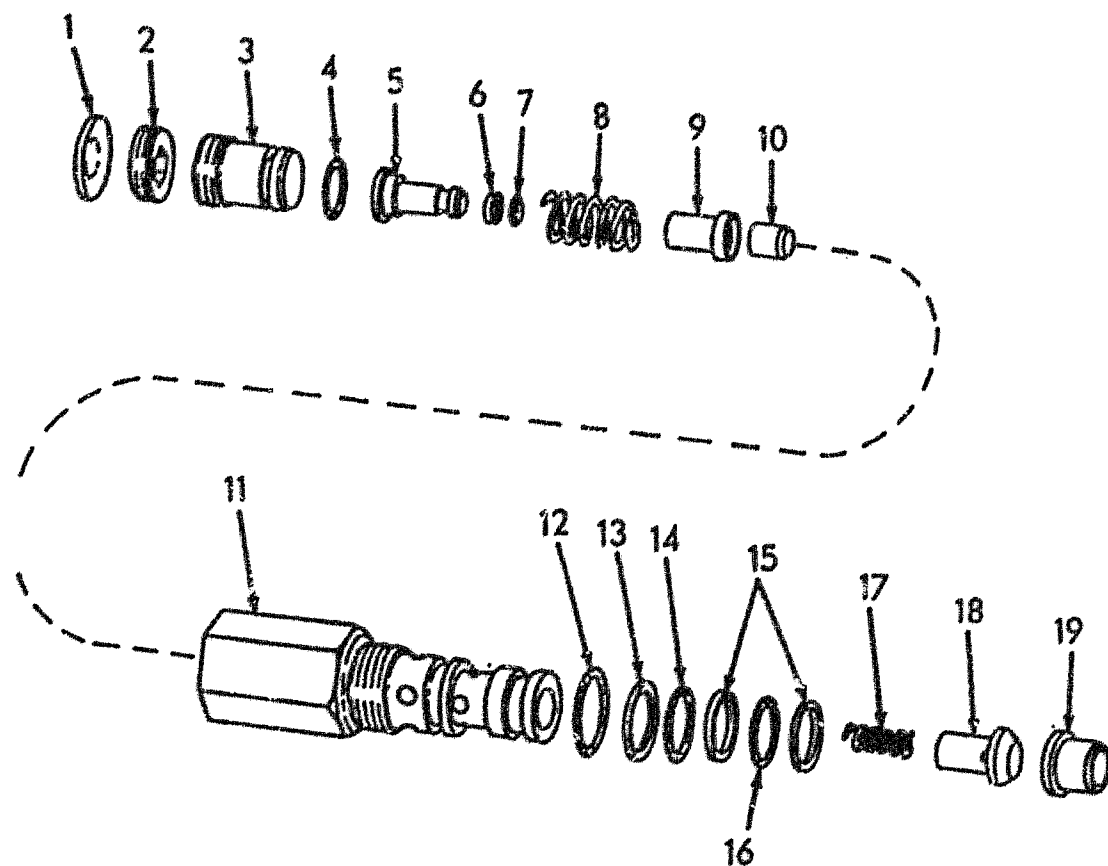
ITEM	PART NO.	QTY.	CODE	DESCRIPTION	DENOMINAZIONE
27	79065542	1	1295	KIT	SERIE
			600L	INCLUDES ITEMS 16,17	INCLUDE PARTIC.(1)

- a.REFER TO ITEM 23
- b.REFER TO ITEM 24
- c.REFER TO ITEM 25
- d.REFER TO ITEM 26
- e.REFER TO ITEM 27



T-85315

FR11	DUMP RELIEF VALVE	E331	6
		REVISED OCTOBER 1990	



T-85716

ITEM	PART NO.	QTY.	LEX.	DESCRIPTION
-	79066493	1	10V	VALVE
			600L	INCLUDES ITEMS 1-19
1	c70910003	1	50T	PLUG, EXPANSION
2	c73052679	1	10D	NUT
3	c79066601	1	145G	GUIDE
4	a70923548	1	55A	O-RING
5	b79066602	1	235S	PISTON
6	a79066604	1	45A	RING, BACKUP
7	a79066603	1	55A	O-RING
8	b73046159	1	100M	SPRING
9	73046156	1	130P	PLUNGER
10	b73046155	1	80S	SEAT
11	73054769	1	20C	CAP
			600L	INCLUDES ITEMS 9-10
12	a70923849	1	55A	O-RING
13	a70927563	1	45A	RING
14	a70923379	1	55A	O-RING
15	a70928584	2	45A	RING, BACKUP
16	a70923645	1	55A	O-RING
17	73046123	1	100M	SPRING
18	73046151	1	501F	POPPET
19	73046150	1	80S	SEAT
20	79066655	-	129S	KIT
			600L	INCL. ITEMS 4,6,7,12-16
21	79066657	-	129S	KIT
			600L	INCL. ITEMS 5,8,10
22	79066658	-	129S	KIT
			600L	INCL. ITEMS 1,2,3

a. Components of Item 20
 b. Components of Item 21
 c. Components of Item 22

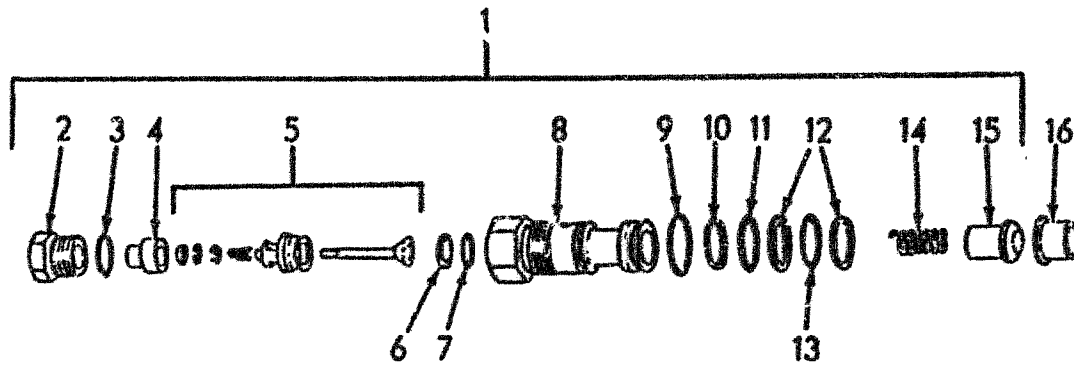
FR11

RETRACT RELIEF VALVE

E331

7

REVISED OCTOBER 1990



ITEM	PART NO.	QTY.	CODE	DESCRIPTION	DEMONIAZIONE
1	79066482	1	11V	VALVE, PROTECTION	VALVOLA DI PROTEZIONE
			600L	INCLUDES ITEMS 2-15	INCLUDE PARTIC.(1)
2	79066605	1	50T	PLUG	TAPPO
3	b79066606	1	55A	O-RING	ANELLO DI TENUTA
4	79066608	1	75D	SPACER	DISTANZIALE
5	79066609	1	10V	VALVE	VALVOLA
6	b70928581	1	45A	RING, .518 X 0.45	ANELLO
7	b70923846	1	55A	O-RING, .489 X .070	ANELLO DI TENUTA
8	79066607	1	300C	BODY	CORPO
9	b70923849	1	55A	O-RING, .799 X .103	ANELLO DI TENUTA
10	b70927563	1	45A	RING, .702 X .129	ANELLO
11	b70923379	1	55A	O-RING, .674 X .103	ANELLO DI TENUTA
12	b70928584	2	45A	RING, .640 X .129	ANELLO
13	b70923645	1	55A	O-RING, .612 X .103	ANELLO DI TENUTA
14	a73046123	1	100M	SPRING	MOLLA
15	a73046151	1	501F	POPPET	VALVOLA SOVRAPRESSIONE
16	-----	1	80S	SEAT	SEDILE
			601C	NGT SERVICED	NON FORNITO DI RICAMB.
17	79066656	1	129S	KIT	SERIE
			600L	INCLUDES ITEMS 14,15	INCLUDE PARTIC.(1)
18	79066659	1	129S	KIT	SERIE
			600L	INCLUDES ITEM(S) 3,6,7,9-13	INCLUDE PARTIC.(1)

a. Component of item 17

b. Component of item 18

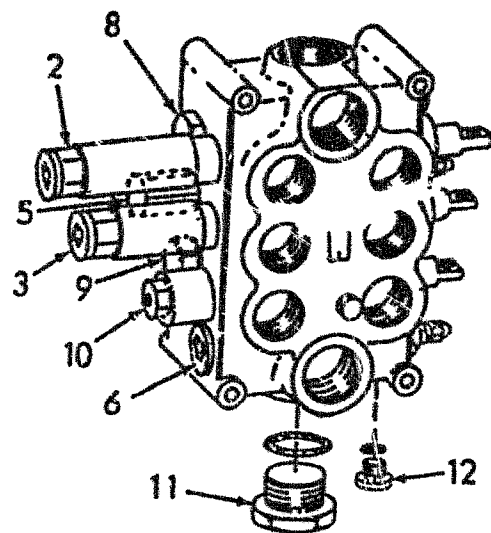
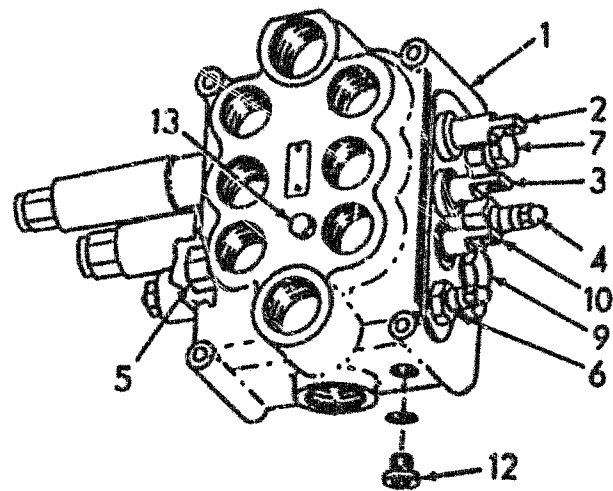
FR11

MAKE-UP & LOAD CHECK VALVE (LIFT & LOWER SPOOL)

E331

8

REVISED OCTOBER 1990



T-85355

USAGE: STANDARD 3 SPOOL VALVE
 USAGE: PRIOR TO UNIT NO. 530305

ITEM PART NO. QTY. LEX. DESCRIPTION

ITEM	PART NO.	QTY.	LEX.	DESCRIPTION
1	79089331	1	83D	VALVE, CONTROL
			600L	INCLUDES ITEMS 2-10
2	-----	1	501C	SPOOL, LIFT (E331(3))
3	-----	1	501C	SPOOL, DUMP (E331(2))
4	-----	1	10V	VALVE, DUMP OVERLOAD (E331/1(3))
5	-----	1	10V	VALVE, RETRACT RELIEF (E331/1(4))
6	-----	1	10V	VALVE, MAIN RELIEF (E331(4))
7	-----	1	10V	VALVE, MAKE-UP & CHECK (E331(8))
8	-----	2	10V	VALVE, LOAD CHECK (E331(5))
9	-----	2	10V	VALVE, LOAD CHECK AUX. SPOOL (E331/1(5))
10	-----	1	501C	SPOOL, AUX. (E331/1(2))
11	70923079	1	50T	PLUG
			600K	INCLUDES O-RING
	70921887	1	55A	O-RING
12	70927999	1	50T	PLUG
			600K	INCLUDES O-RING
	70921349	1	55A	O-RING
13	70923166	1	50T	PLUG
			600K	INCLUDES O-RING
	70921883	1	55A	O-RING

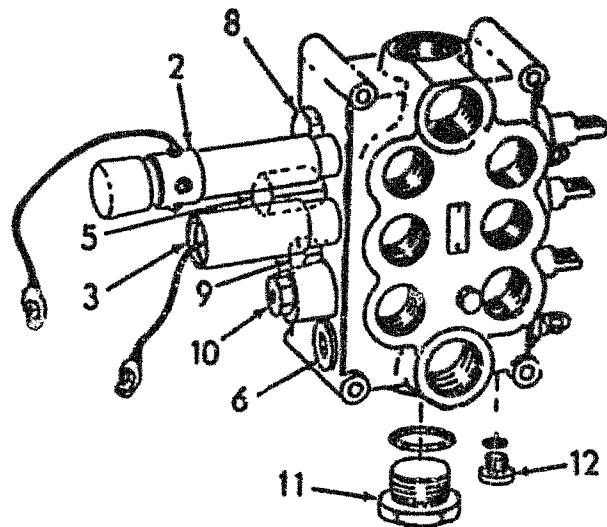
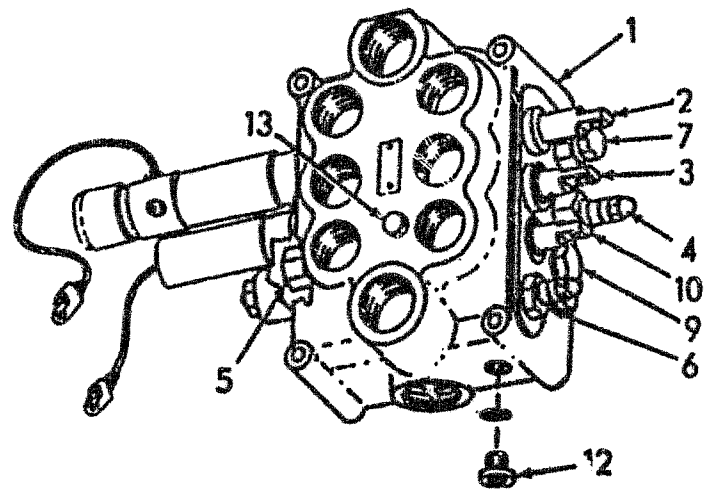
FR11

CONTROL VALVE ASSEMBLY

E331/1

1

REVISED OCTOBER 1990



T-85355

USAGE: STANDARD 3 SPOOL VALVE
 USAGE: UNIT NO. 530305 AND UP

ITEM PART NO. QTY. LEX. DESCRIPTION

ITEM	PART NO.	QTY.	LEX.	DESCRIPTION
1	79086479	1	83D	VALVE, CONTROL 600L INCLUDES ITEMS 2-10
2	-----	1	501C	SPOOL, LIFT (E331(3A))
3	-----	1	501C	SPOOL, DUMP (E331(2))
4	-----	1	10V	VALVE, DUMP OVERLOAD (E331 (6))
5	-----	1	10V	VALVE, RETRACT RELIEF (E331 (7))
6	-----	1	10V	VALVE, MAIN RELIEF (E331(4))
7	-----	1	10V	VALVE, MAKE-UP & CHECK (E331(8))
8	-----	2	10V	VALVE, LOAD CHECK (E331(5))
9	-----	2	10V	VALVE, LOAD CHECK AUX. SPOOL (E331/1(3))
10	-----	1	501C	SPOOL, SUX. (E331/1(2))
11	70923079	1	50T	PLUG 600K INCLUDES O-RING
	70921887	1	55A	O-RING
12	70927999	1	50T	PLUG 600K INCLUDES O-RING
	70921349	1	55A	O-RING
13	70923166	1	50T	PLUG 600K INCLUDES O-RING
	70921883	1	55A	O-RING

FR11

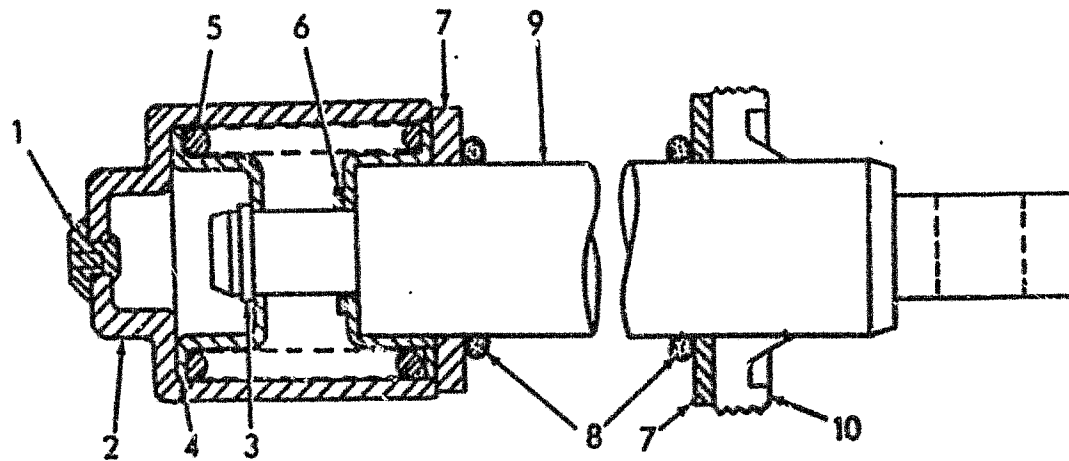
CONTROL VALVE ASSEMBLY

E331/1

1A

REVISED NOVEMBER 1990

E331/1(2)

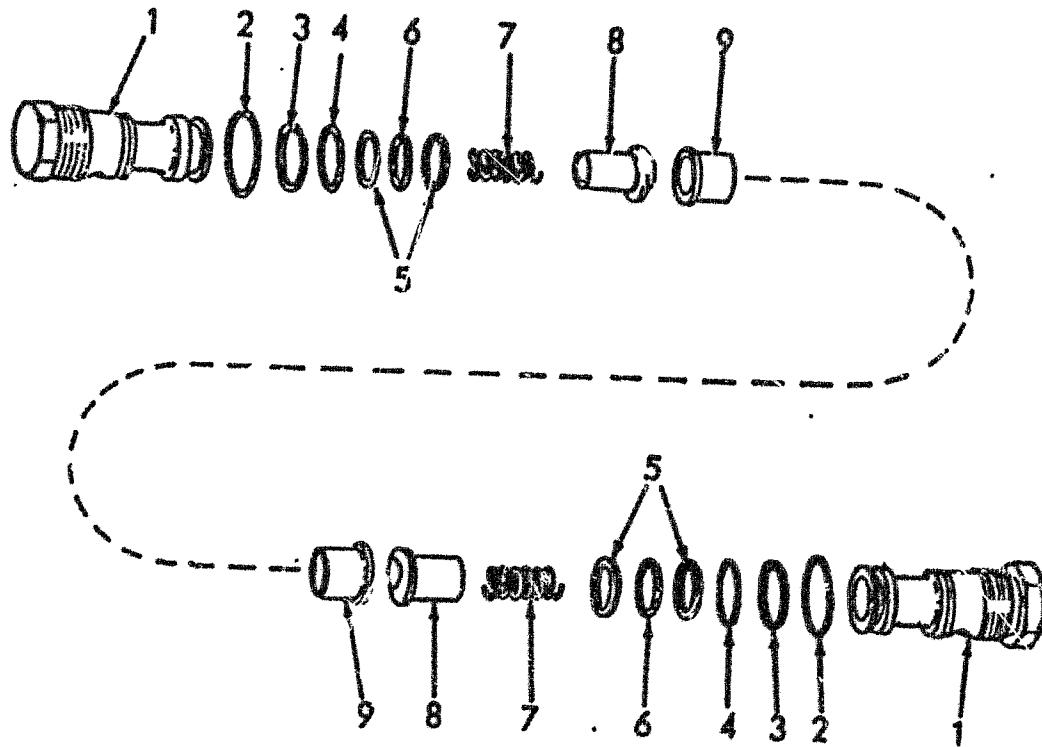


ITEM	PART NO.	QTY.	CODE	DESCRIPTION	DENOMINAZIONE
1	73072735	1	149S	BREATHER	SFIATATOIO
2	73072737	1	300C	BODY	CORPO
3	73046093	1	49A	RING	ANELLO
4	73046094	2	75D	SPACER	DISTANZIALE
5	73059122	1	100M	SPRING	MOLLA
6	73046096	1	131R	WASHER	ROSETTA
7	73046097	2	61S	RETAINER	SCODELLINO DI RITEGNO
8	70923567	2	55A	O-RING	ANELLO DI TENUTA
9	73059121	1	501C	SPOOL	CASSETTO
10	73061628	1	70F	FLANGE	FLANGIA

T-85311

USAGE: 3 SPOOL VALVE; USO: DISTRIBUTORE SPECIALE A 3 CASSETTI; USAGE:
 DISTRIBUTEUR SPECIAL A 3 TIROIRS; VERWENDUNG: SONDERAUSRUSTUNG-DREIWEGEVENTIL; USO:
 VALVULA ESPECIAL DE 3 CARRETES.

FR11	CONTROL VALVE ASSEMBLY DISTRIBUTORE IMPIANTO IDRAULICO DISTRIBUTEUR DU SYSTEME HYDRAULIQUE HYDRAULISCHE ANLAGESTEUEVENTIL VALVULA DE MANDO DEL SISTEMA HIDRAULICO	E331/1	2
		REVISED OCTOBER 1990	



T-85195

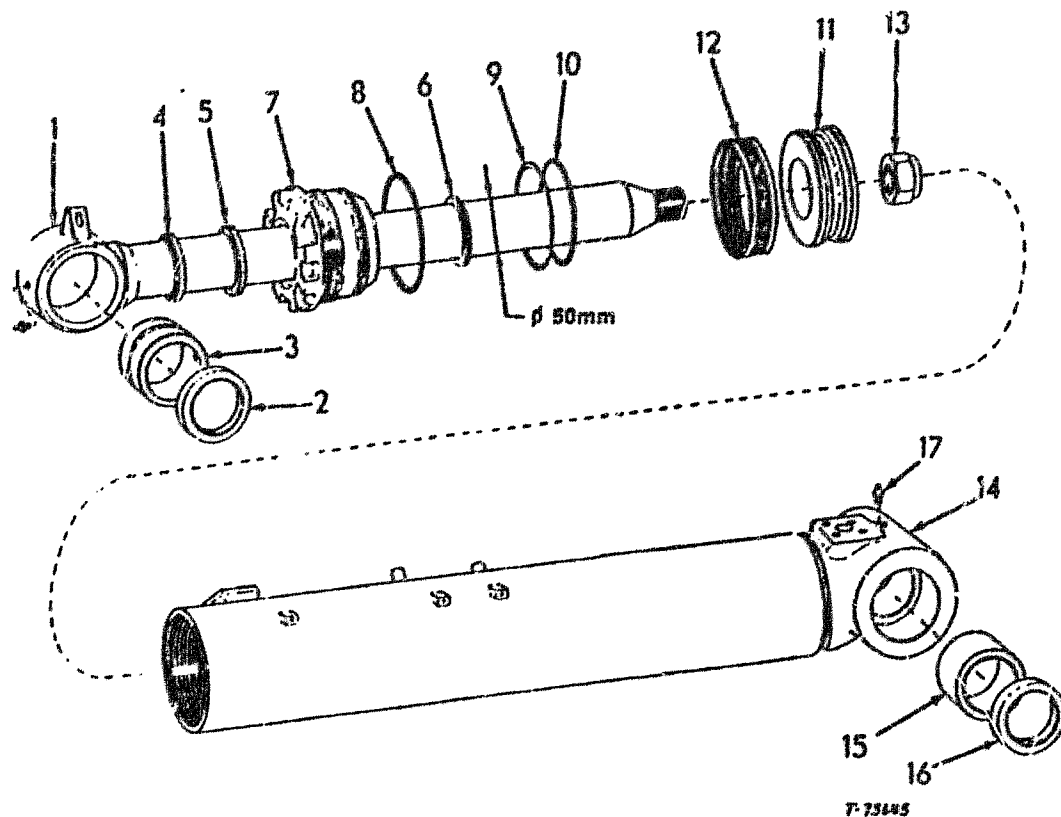
ITEM	PART NO.	QTY.	CODE	DESCRIPTION	DENOMINAZIONE
1	73046954	2	300C	BODY	CORPO
2	a70923849	2	55A	O-RING .799 X .103	ANELLO DI TENUTA
3	a70927563	2	45A	RING	ANELLO
4	a70923379	2	44A	O-RING	ANELLO DI TENUTA
5	a70928584	4	45A	RING	ANELLO
6	a70923645	2	55A	O-RING	ANELLO DI TENUTA
7	b73046123	2	100M	SPRING	MOLLA
8	b73046151	2	501F	POPPET	VALVOLA SOVRAPRESSIONE
9	-----	2	80S	SEAT	SEDILE
10	79066667	-	129S	KIT	NON FORNITO DI RICAMB. SERIE
11	79066656	-	129S	KIT	INCLUDE PARTIC.(1) SERIE
			600L	INCLUDES ITEMS 2-6	INCLUDE PARTIC.(1)
			600L	INCLUDES ITEMS 7,8	INCLUDE PARTIC.(1)

a. COMPONENTS OF ITEM 10

b. COMPONENTS OF ITEM 11

USAGE: 3 SPOOL VALVE; USO: DISTRIBUTORE SPECIALE A 3 CASSETTI; USAGE: DISTRIBUTEUR SPECIAL A 3 TIROIRS; VERWENDUNG: SONDERAUSRUSTUNG-DREIWEGEVENTIL; USO: VALVULA ESPECIAL DE 3 CARRETES.

FR11	CONTROL VALVE MAIN RELIEF SECTION	E331/1	3
		REVISED OCTOBER 1990 (8)	



ITEM PART NO. QTY. LEX. DESCRIPTION

-	79056637	1	164C	CYLINDER
			600L	INCLUDES ITEM(S) 1-17
1	79056640	1	274S	ROD, PISTON
			600L	INCL. ITEMS 2, 3
2	73053637	2	133R	SEAL
3	79067802	1	95B	BUSHING
4	a79065560	1	133R	SEAL
5	a79065561	1	133R	SEAL
6	a79065562	1	45A	RING
7	79056636	1	80F	PLATE, BOTTOM
8	b14466080	1	55A	O-RING
9	b79021911	1	45A	RING
10	b14465780	1	55A	O-RING
11	79056639	1	235S	PISTON
12	b08291552	1	133R	SEAL
13	b08298615	1	10D	NUT
14	79056644	1	206T	TUBE
			600L	INCL. ITEMS 15, 16
15	79067803	2	95B	BUSHING
16	73053637	2	133R	SEAL
17	13407211	2	60I	FITTING, LUBRICATION
18	b79071319	1	129S	KIT
			600L	INCLUDES ITEM(S) 4, 5, 6
19	79083788	1	129S	KIT
			600L	INCLUDES ITEM(S) 8-10,12,13,18

a. COMPONENTS OF ITEM 18

b. COMPONENTS OF ITEM 19

USAGE: UNIT PRIOR TO S/N 530302

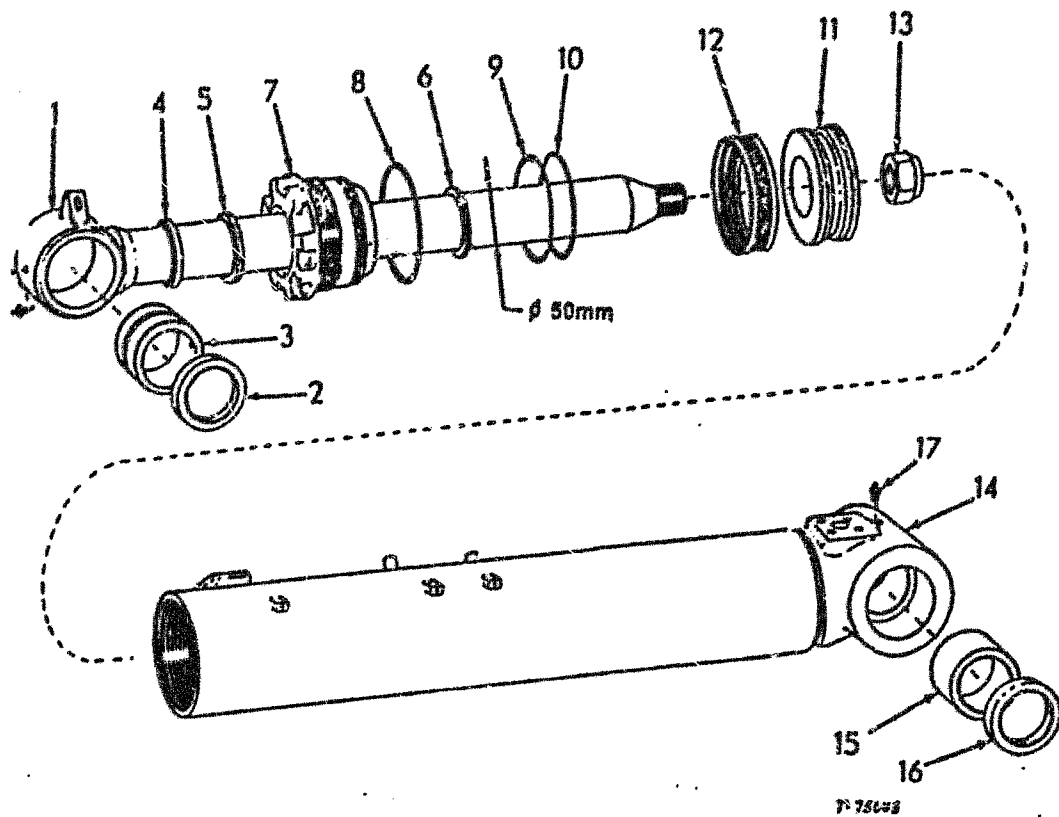
FR11

CYLINDERS - DUMP

E332

1

REVISED OCTOBER 1990



ITEM PART NO. QTY. LEX. DESCRIPTION

-	79092835	1	164C	CYLINDER
			600L	INCLUDES ITEM(S) 1-17
1	79056640	1	274S	ROD, PISTON
			600L	INCL. ITEMS 2, 3
2	73053637	2	133R	SEAL
3	79067802	1	95B	BUSHING
4	a79065560	1	133R	SEAL
5	a79065561	1	133R	SEAL
6	a79065562	1	45A	RING
7	79092836	1	113T	HEAD
8	b14466080	1	55A	O-RING
9	b79021911	1	45A	RING
10	b14465780	1	55A	O-RING
11	79056639	1	235S	PISTON
12	b08291552	1	133R	SEAL
13	b08298615	1	10D	NUT
14	79056644	1	206T	TUBE
			600L	INCL. ITEMS 15, 16
15	79067803	2	95B	BUSHING
16	73053637	2	133R	SEAL
17	13407211	2	60I	FITTING, LUBRICATION
18	b79071319	1	129S	KIT
			600L	INCLUDES ITEM(S) 4, 5, 6
19	79083789	1	129S	KIT
			600L	INCLUDES ITEM(S) 8-10,12,13,18

a. COMPONENTS OF ITEM 18
b. COMPONENTS OF ITEM 19

USAGE: UNITS S/N 530302 AND UP

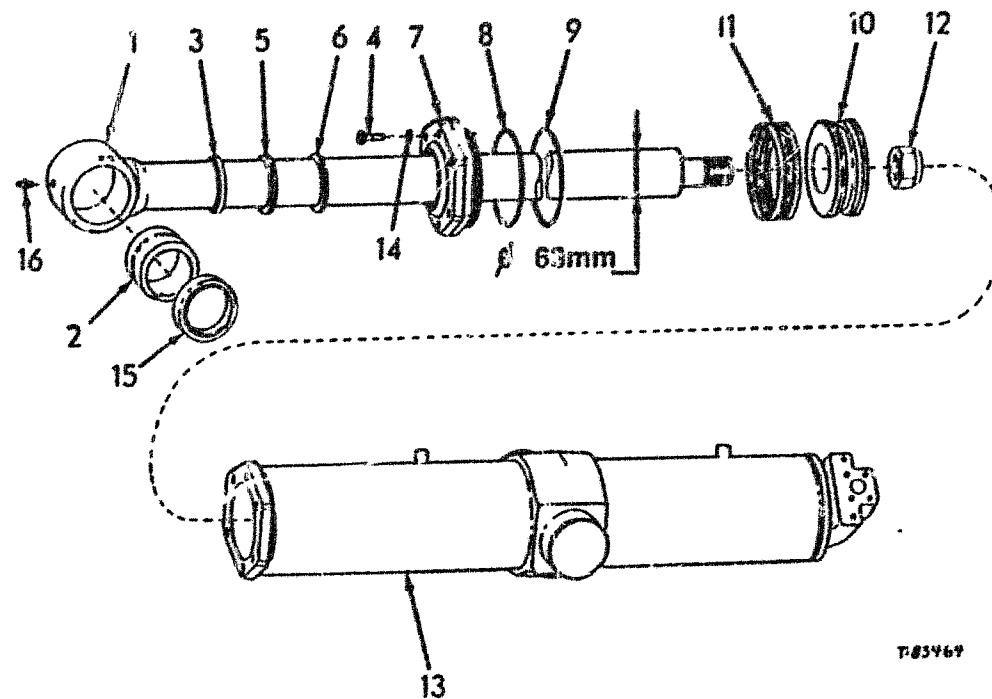
FR11

CYLINDERS - DUMP

E332

1A

ADDED OCTOBER 1990



ITEM	PART NO.	QTY.	CODE	DESCRIPTION	DENOMINAZIONE
-	79052284	1	164C	CYLINDER	CILINDRO
			600L	INCLUDES ITEM(S)1-16	INCLUDE PARTIC.(1)
1	79052287	1	274S	ROD, PISTON	STELO
				INCLUDES ITEM(S)2,15	INCLUDE PARTIC.(1)
2	79067743	1	95B	BUSHING	BOCCOLA
3	a79065568	1	133R	SEAL	GUARNIZIONE TENUTA
4	11116831	6	40V	CAPSCREW, 14 X 2 X 80	VITE
5	a79065566	1	133R	SEAL	GUARNIZIONE TENUTA
6	a79065567	1	45A	RING	ANELLO
7	79056474	1	80F	PLATE, BOTTOM	FONDELLO
8	b79023161	1	45A	RING	ANELLO
9	b14473280	1	55A	O-RING	ANELLO DI TENUTA
10	79056481	1	235S	PISTON	STANTUFFO
11	b79023160	1	133R	SEAL	GUARNIZIONE TENUTA
12	b08281824	1	10D	NUT	DADO
13	73134557	1	206T	TUBE	TUBO
14	10517179	6	132R	LOCKWASHER	ROSETTA DI SICUREZZA
15	73052879	2	133R	SEAL	GUARNIZIONE TENUTA
16	13407211	1	60I	FITTING, LUBRICATION	INGRASSATORE
17	b79071464	1	'95	KIT	SERIE
			600L	INCLUDES ITEM(S)3,9,6	INCLUDE PARTIC.(1)
18	79083792	1	129S	KIT	SERIE
			600L	INCLUDES ITEM(S)	INCLUDE PARTIC.(1)
				8,9,11,12,17	

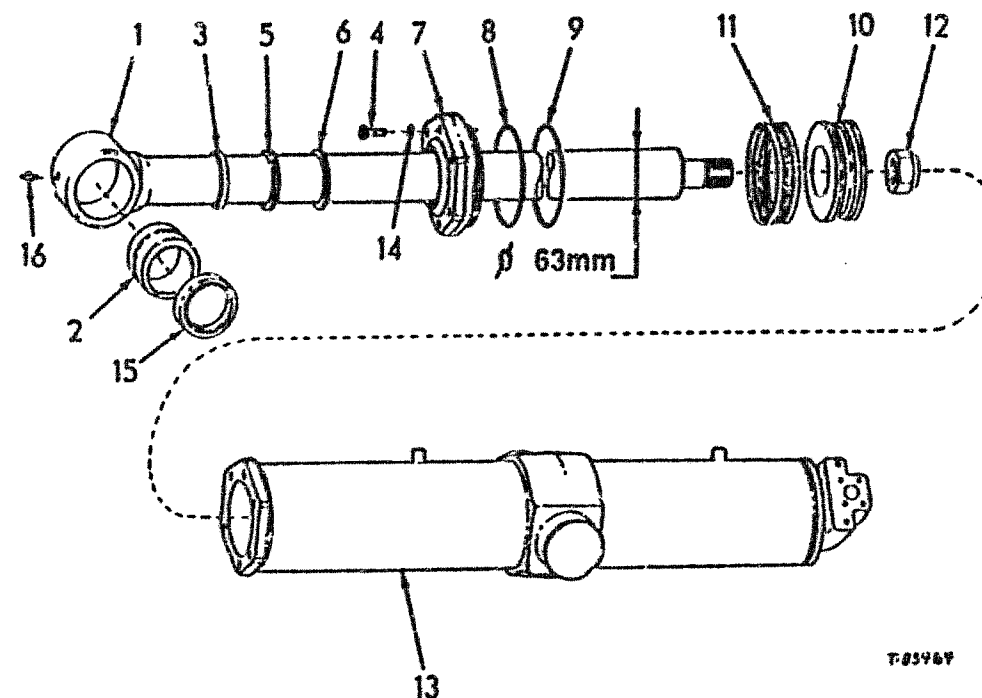
a. COMPONENTS OF ITEM 17
 INCLUSI NEL PART.17
 INCLUS AVEC ARTICLE 17
 GEHÖRT ZU STUCK NR.17
 INCLUSO CON ARTICOLO 17

b. COMPONENTS OF ITEM 18
 INCLUSI NEL PART.18
 INCLUS AVEC ARTICLE 18
 GEHÖRT ZU STUCK NR.18
 INCLUSO CON ARTICOLO 18

USAGE: UNITS PRIOR TO NO. 830302

FR11	CYLINDERS - LIFT CILINDRI SOLLEVAMENTO VERINS LEVAGE HYDRAULIKZYLINDER HUB- CILINDROS ALCE	E332	2
		REVISED OCTOBER 1990	

E332(2A)



T-85969

ITEM	PART NO.	QTY.	CODE	DESCRIPTION	DENOMINAZIONE
-	79092829	1	164C	CYLINDER	CILINDRO
			600L	INCLUDES ITEM(S)1-16	INCLUDE PARTIC.(11)
1	79052287	1	274S	ROD, PISTON	STELO
				INCLUDES ITEM(S)2,15	INCLUDE PARTIC.(11)
2	79067743	1	95B	BUSHING	BOCCOLA
3	a79065568	1	133R	SEAL	GUARNIZIONE TENUTA
4	11116831	6	40V	CAPSCREW, 14 X 2 X 80	VITE
5	a79065566	1	133R	SEAL	GUARNIZIONE TENUTA
6	a79065567	1	45A	RING	ANELLO
7	79092830	1	80F	PLATE, BOTTOM	FONDELLO
8	b79023161	1	45A	RING	ANELLO
9	b14473280	1	55A	O-RING	ANELLO DI TENUTA
10	79056481	1	235S	PISTON	SIANTUFFO
11	b79023160	1	133R	SEAL	GUARNIZIONE TENUTA
12	b08281824	1	10D	NUT	DADO
13	73134557	1	206T	TUBE	TUBO
14	10517179	6	132R	LOCKWASHER	ROSETTA DI SICUREZZA
15	73052879	2	133R	SEAL	GUARNIZIONE TENUTA
16	13407211	1	60I	FITTING, LUBRICATION	INGRASSATORE
17	b79071464	1	129S	KIT	SERIE
			600L	INCLUDES ITEM(S)3,5,6	INCLUDE PARTIC.(11)
18	79083792	1	129S	KIT	SERIE
			600L	INCLUDES ITEM(S)	INCLUDE PARTIC.(11)
				8,9,11,12,17	

a. COMPONENTS OF ITEM 17
 INCLUSI NEL PART. 17
 INCLUS AVEC ARTICLE 17
 GEHÖRT ZU STUCK NR. 17
 INCLUSO CON ARTICOLO 17

b. COMPONENTS OF ITEM 18
 INCLUSI NEL PART. 18
 INCLUS AVEC ARTICLE 18
 GEHÖRT ZU STUCK NR. 18
 INCLUSO CON ARTICOLO 18

USAGE: UNIT S/N NO. 530302 AND UP

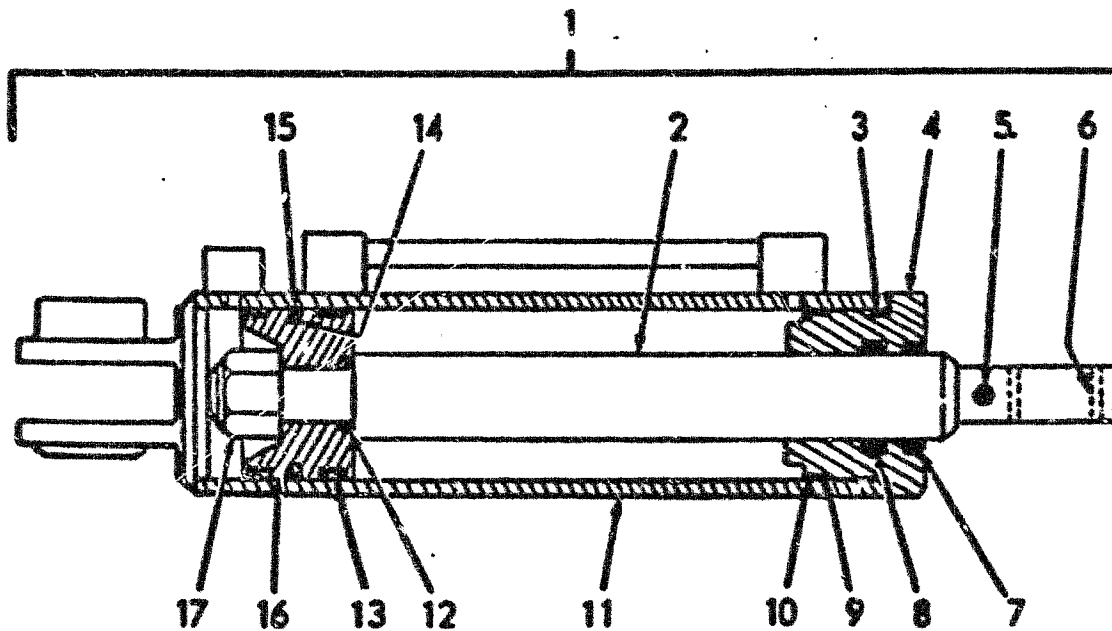
FR11

CYLINDERS - LIFT
 CILINDRI SOLLEVAMENTO
 VERINS LEVAGE
 HYDRAULIKZYLINDER HUB-
 CILINDROS ALCE

E332

2A

ADDED OCTO 1990



F84186

USAGE: SPECIAL EQUIPMENT FOR MULTIPURPOSE BUCKET; USO: EQUIPAGGIAMENTO SPECIALE PER BENNA MULTIPLO USO; USAGE: EQUIPEMENT SPECIAL POUR GODET USAGE MULTIPLE; VERWENDUNG: SONDERAUSRÜSTUNG FÜR MEHRZWECKKUBEL; USO: EQUIP ESPECIAL PARA CUCHARÓN USO MULTIPLE

ITEM	PART NO.	QTY.	CODE	DESCRIPTION	DENOMINAZIONE
1	73135371	2	164C	CYLINDER	CILINDRO
2	-----	1	90A	ROD	ASTA
			600M	ORDER ITEM(S)1	ORDINARE PARTIC.
3	-----	1	50T	PLUG	TAPPO
			600M	ORDER ITEM(S)1	ORDINARE PARTIC.
4	-----	1	113T	HEAD, CYLINDER	TESTA DEI CILINDRI
			600M	ORDER ITEM(S)1	ORDINARE PARTIC.
5	-----	1	601	FITTING, LUBRICATION	INGRASSATORE
			600M	ORDER ITEM(S)1	ORDINARE PARTIC.
6	70654170	2	95B	BUSHING	BOCCOLA
7	-----	1	133R	SEAL	GUARNIZIONE TENUTA
			600M	ORDER ITEM(S)18	ORDINARE PARTIC.
8	-----	1	133R	SEAL	GUARNIZIONE TENUTA
			600M	ORDER ITEM(S)18	ORDINARE PARTIC.
9	-----	1	45A	RING	ANELLO
			600M	ORDER ITEM(S)18	ORDINARE PARTIC.
10	-----	1	55A	O-RING	ANELLO DI TENUTA
			600M	ORDER ITEM(S)18	ORDINARE PARTIC.
11	-----	1	164C	CYLINDER	CILINDRO
			600M	ORDER ITEM(S)1	ORDINARE PARTIC.
12	-----	1	55A	O-RING	ANELLO DI TENUTA
			600M	ORDER ITEM(S)18	ORDINARE PARTIC.
13	-----	2	45A	RING	ANELLO
			600M	ORDER ITEM(S)18	ORDINARE PARTIC.
14	-----	1	55A	O-RING	ANELLO DI TENUTA
			600M	ORDER ITEM(S)18	ORDINARE PARTIC.
15	-----	1	133R	SEAL	GUARNIZIONE TENUTA
			600M	ORDER ITEM(S)18	ORDINARE PARTIC.
16	-----	1	235S	PISTON	STANTUFFO
			600M	ORDER ITEM(S)1	ORDINARE PARTIC.
17	-----	1	10D	NUT	DADO
			600M	ORDER ITEM(S)1	ORDINARE PARTIC.
18	73135370	-	129S	KIT	SERIE
			600L	INCLUDES ITEM(S) 7-10, 12-15	INCLUDE PARTIC.(1)

FR11

CYLINDERS - BUCKET (MULTIPURPOSE)
 CILINDRI BENNA (MULTIPURPOSE)
 VERINS GODET (USAGE MULTIPLE)
 HYDRAULIKZYLINDER KUBEL (MEHRZWECKVERWENDUNG)
 CILINDROS CUCHARÓN DE USO MULTIPLE

E332/2

E332/3

ITEM	PART NO.	QTY.	CODE	DESCRIPTION	DENOMINAZIONE
-	73153338	2	164C	CYLINDER	CILINDRO

USAGE: SPECIAL EQUIPMENT FOR MULTIPURPOSE BUCKET; USO: EQUIPAGGIAMENTO SPECIALE PER BENNA
MULTIPLO USO; USAGE: EQUIPEMENT SPECIAL POUR GODET USAGE MULTIPLE; VERWENDUNG:
SONDERAUSRUSTUNG FUR MEHRZWECKKUBEL; USO: EQUIP ESPECIAL PARA CUCHARON USO MULTIPLE

FR11	CYLINDERS - BUCKET(MULTIPURPOSE) CILINDRI BENNA(MULTIPURPOSE) VERINS GODET(USAGE MULTIPLE) HYDRAULIKZYLINDER KUBEL (MEHRZWECKVERWENDUNG) CILINDROS CUCHARON DE USO MULTIPLE	E332/3
		Added August 1988

FIATALLIS

PART NUMBER	ITEM	KIT COMP. PART. N.	QTY	SGR.	TAV.	PAG.	TRANS CODE	DESCRIPTION	DENOMINAZIONE
79083792									
	12	8281824	1	E3.32/1	1	1	10D	NUT	DADC
	9	14473280	1	E3.32/1	1	1	158G	O-RING	GUAFNIZIONE O-R
	11	79023160	1	E3.32/1	1	1	122G	SFAL	GUAFNIZIONE
	8	79023161	1	E3.32/1	1	1	45A	RING	ANELLO
	15	79071464	1	E3.32/1	1	1	2K	KIT	KIT

**"FILTER CARE" KIT
MODEL: FR11**

**250 HOUR KIT
PART NUMBER: 75126627**

<u>QUANTITY</u>	<u>PART NUMBER</u>	<u>DESCRIPTION</u>
2	04787418	Oil Filter
1	73074045	Transmission Oil Filter
1	04964322	Fuel Filter

**500 HOUR KIT
PART NUMBER: 75126628**

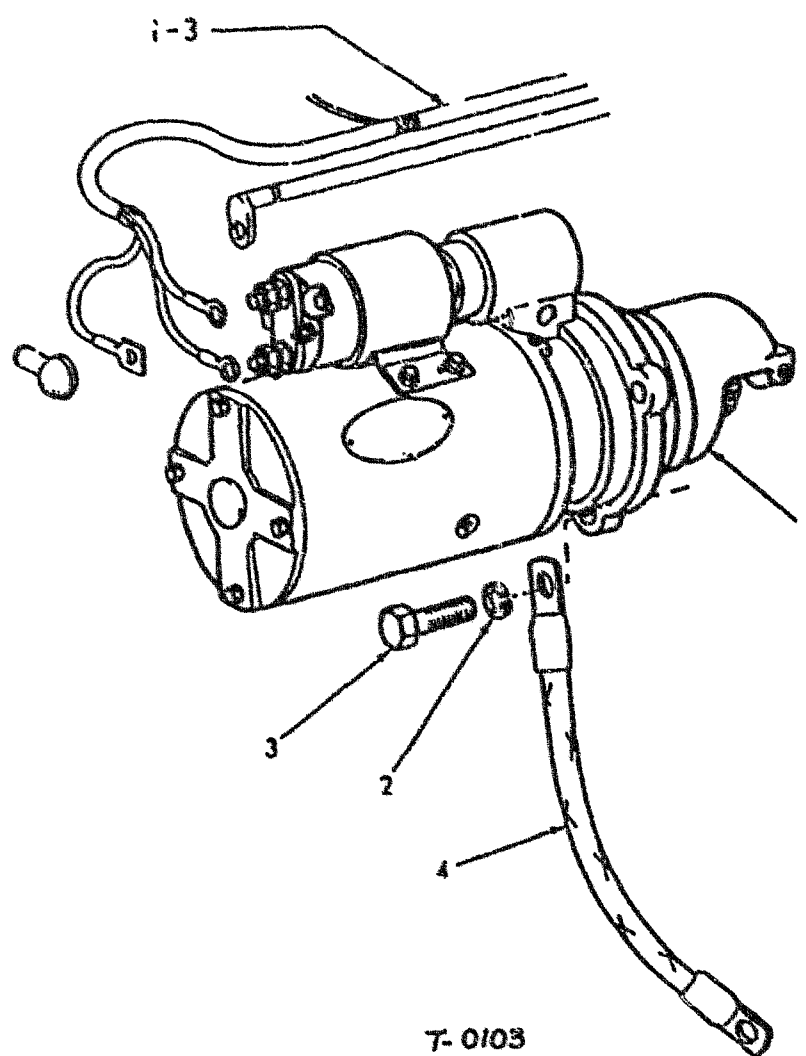
2	04787410	Oil Filter
1	73074045	Transmission Oil Filter
1	04964322	Fuel Filter
1	70666421	Hydraulic Filter
2	70663977	Gasket
1	70926821	O-ring

**1000 HOUR KIT
PART NUMBER: 75126629**

2	04787410	Oil Filter
1	73074045	Transmission Oil Filter
1	04964322	Fuel Filter
1	70666421	Hydraulic Filter
2	70663977	Gasket
1	70926821	O-ring
1	70684732	Air Filter - Primary
1	70662608	Air Filter - Safety

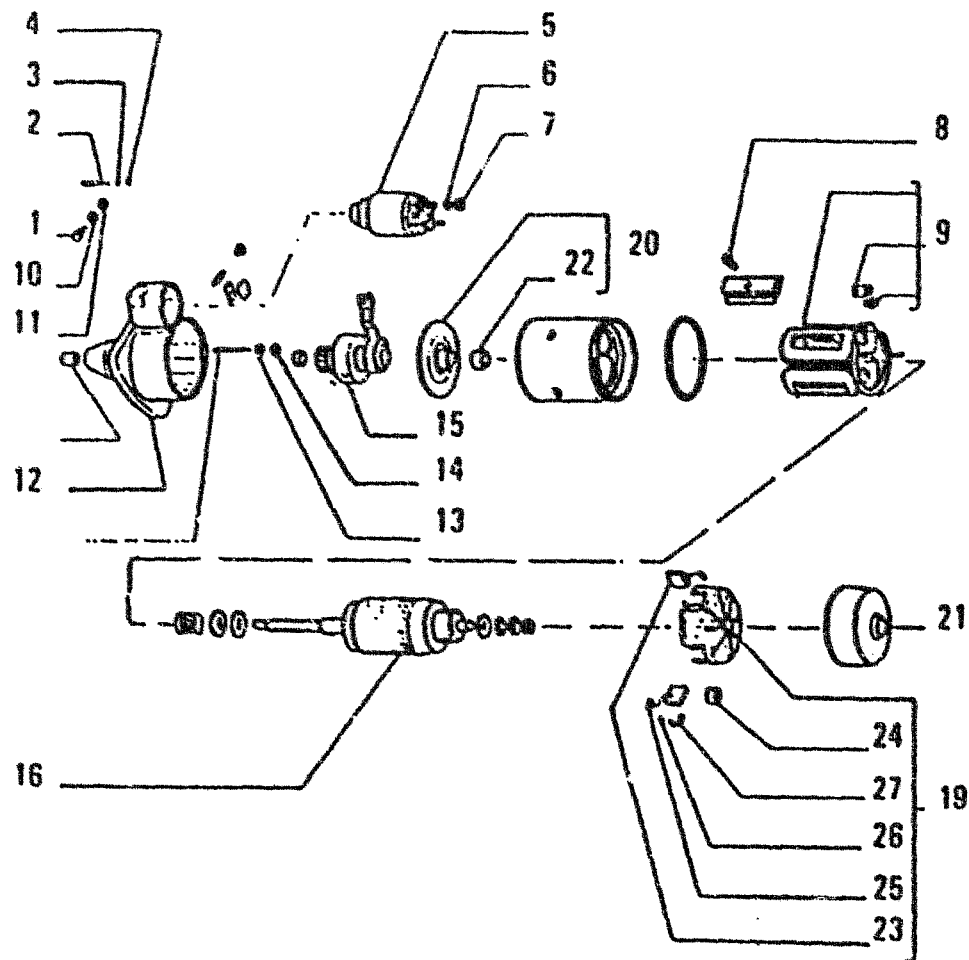
NOTE: Clean & Reuse Hydraulic Oil Intake Strainer - 73069337

F205



ITEM	PART NO.	QTY.	CODE	DESCRIPTION	DENOMINAZIONE
1	-----	1	153M	MOTOR, STARTING(F205/1, /2)	MOTORINO AVVIAMENTO
2	11190579	3	131R	WASHER	ROSETTA
3	11306921	3	40V	CAPSCREW, 10 X 1.25 X 30	VITE
4	73070758	1	112C	CABLE, GROUND	CAVO DI MASSA

FR11	STARTER MOTORINO AVVIAMENTO DEMARREUR ANLASSER ARRANQUE	F205
		REVISED OCTOBER 1990



ITEM	PART NO.	QTY.	CODE	DESCRIPTION	DENOMINAZIONE
-	04737756	1	133H	MOTOR, STARTING	MOTORINO AVVIAMENTO
	600L			INCLUDES ITEM(S) 11-27	INCLUDE PARTIC.(11)
1	16043411	1	40V	CAPSCREW, 8 X 1.25 X 20	VITE
2	15201011	3	40V	CAPSCREW, 5 X 0.8 X 95	VITE
3	11195479	3	131R	WASHER, 5.1 X 1.1	ROSETTA
4	10519301	3	132R	LOCKWASHER	ROSETTA DI SICUREZZA
5	79036685	1	30E	SOLENOID	ELETTROMAGNETE
6	10516879	2	132R	LOCKWASHER	ROSETTA DI SICUREZZA
7	10798711	2	10D	NUT	DADO
8	13305111	4	40V	CAPSCREW, 10 X 1.25 X 16	VITE
9	79026411	1	83B	COIL	BOBINA
10	10516679	1	132R	LOCKWASHER	ROSETTA DI SICUREZZA
11	14499401	1	131R	WASHER	ROSETTA
12	79062461	1	300S	SUPPORT	SUPPORTO
13	14496401	2	131R	WASHER	ROSETTA
14	12574211	2	10D	NUT	DADO
15	79023774	1	122P	PINION	PIGNONE
16	79026392	1	401	ARMATURE	INDOTTO
19	09927788	1	300S	SUPPORT	SUPPORTO
20	09927795	1	300S	SUPPORT	SUPPORTO
21	79052363	1	20J	CAP	CALOTTA
22	09927796	1	95B	BUSHING	BOCCOLA
23	09927792	2	177S	BRUSH	SPAZZOLA
24	09927789	1	95B	BUSHING	BOCCOLA
25	09927791	2	177S	BRUSH	SPAZZOLA
26	79036809	4	40V	CAPSCREW	VITE
27	09927790	4	100H	SPRING	HOLLA

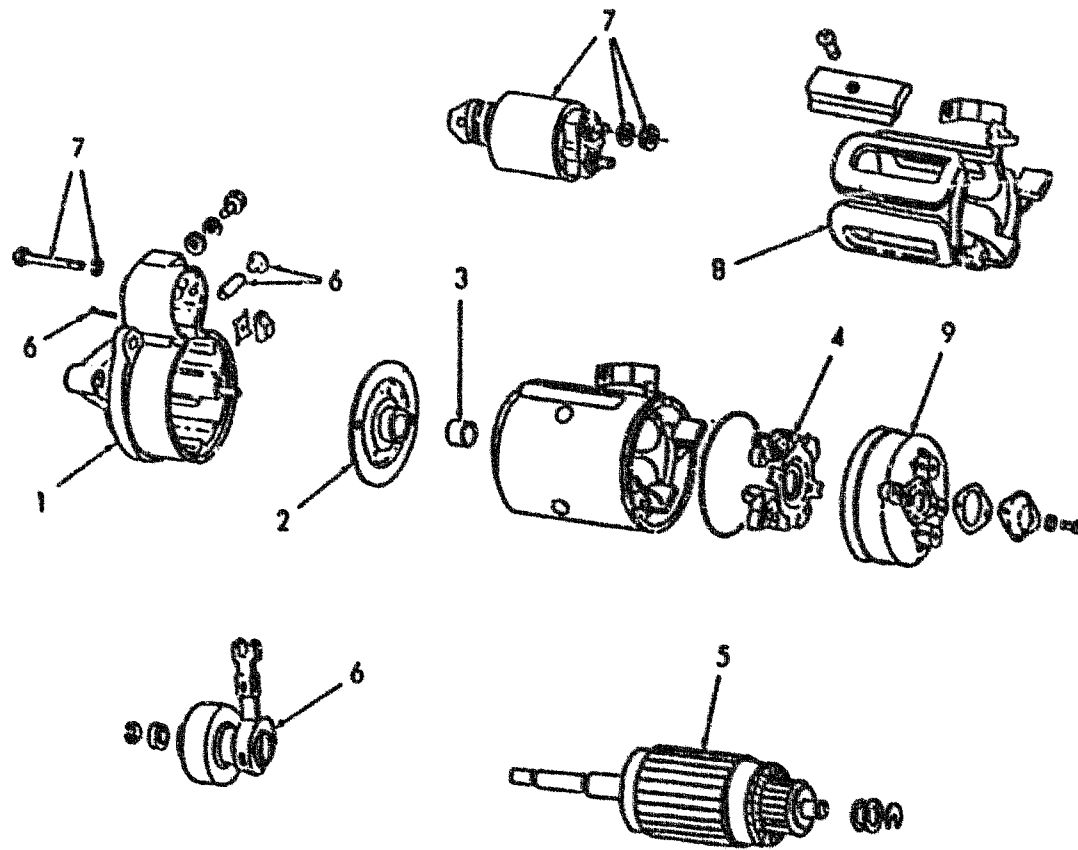
USAGE: FIRST TYPE.

FR11

STARTER
MOTORINO AVVIAMENTO
DEMARREUR
ANLASSER
ARRANQUE

F205/1

REVISED OCTOBER 1990

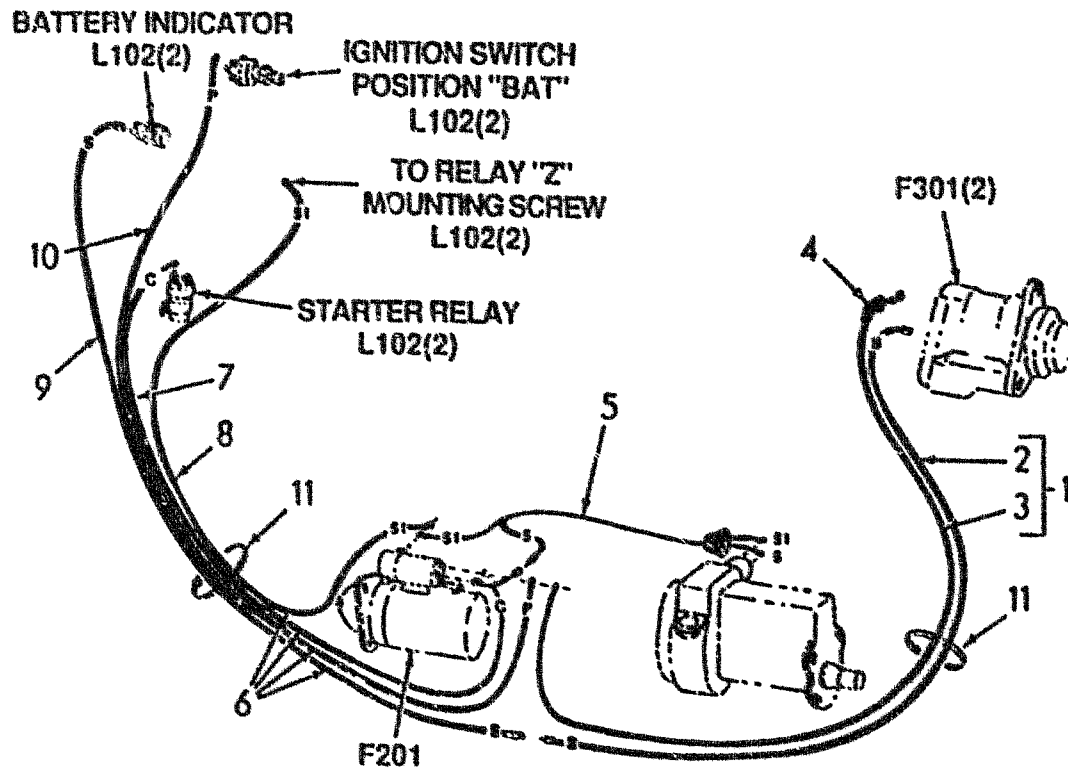


T-0888

USAGE: SECOND TYPE.

FR11	STARTER MOTORINO AVVIAMENTO DEMARREUR ANLASSER ARRANQUE	F205/2
		ADDED OCTOBER 1990

ITEM	PART NO.	QTY.	CODE	DESCRIPTION	DENOMINAZIONE
-	04807379	1	133H	MOTOR, STARTING	MOTORINO AVVIAMENTO
			600L	INCLUDES ITEMS 1-9	INCLUDE PARTIC.(1)
1	79081044	1	300S	SUPPORT	SUPPORTO
2	09927795	1	300S	SUPPORT	SUPPORTO
			600L	INCLUDES ITEM 3	INCLUDE PARTIC.(1)
3	09927796	1	95B	BUSHING	BUCOLA
4	79080376	1	300S	SUPPORT	SUPPORTO
5	79080373	1	401	ARMATURE	INDOTTO
6	79081045	1	129S	KIT	SERIE
7	79081046	1	129S	KIT	SERIE
8	79080375	1	83B	COIL	BOBINA
9	79081047	1	265C	COVER	COPERCHIO



7-83344

ITEM	PART NO.	QTY.	CODE	DESCRIPTION	DEMINAZIONE
1	76011756	1	60F	WIRE	FILO
			600L	INCLUDES ITEM(S) 2,3	INCLUDE PARTIC.(1)
2	-----	1	60F	WIRE(2130M)(1) "S"	FILO
				ALTERNATOR TO CONNECTION FROM BATTERY INDICATOR	
3	-----	1	60F	WIRE(2130M)(1) ALTERNATOR	FILO
				TO STARTER	
4	04094290	1	330C	BOOT	CUFFIA DI PROTEZIONE
5	76011773	1	60F	WIRE(1900M)(1) (F51, F5),	FILO
				F51 INJECTION PUMP SOLENOID TO STARTER, F5	
				INJECTION PUMP SOLENOID TO CONNECTION ("C")	
				FROM STARTER RELAY	
6	76011755	1	60F	WIRE	FILO
			600L	INCLUDES ITEM(S) 7-10	INCLUDE PARTIC.(1)
7	-----	1	60F	WIRE(3330M)(1) ("C")	FILO
				STARTER TO STARTER RELAY TO CONNECTION FROM	
				INJECTION PUMP SOLENOID	
8	-----	1	60F	WIRE(3460M)(1) ("S1")	FILO
				STARTER TO GROUND ON RELAY "Z" MOUNTING SCREW	
9	-----	1	60F	WIRE(3570M)(1) ("S")	FILO
				BATTERY INDICATOR TO CONNECTION FROM ALTERNATOR	
10	-----	1	60F	WIRE(3530M)(1) ("P")	FILO
				STARTER TO IGNITION SWITCH POSITION "BAT"	
11	04982514	-		50H TIE	
				600P AS REQUIRED	

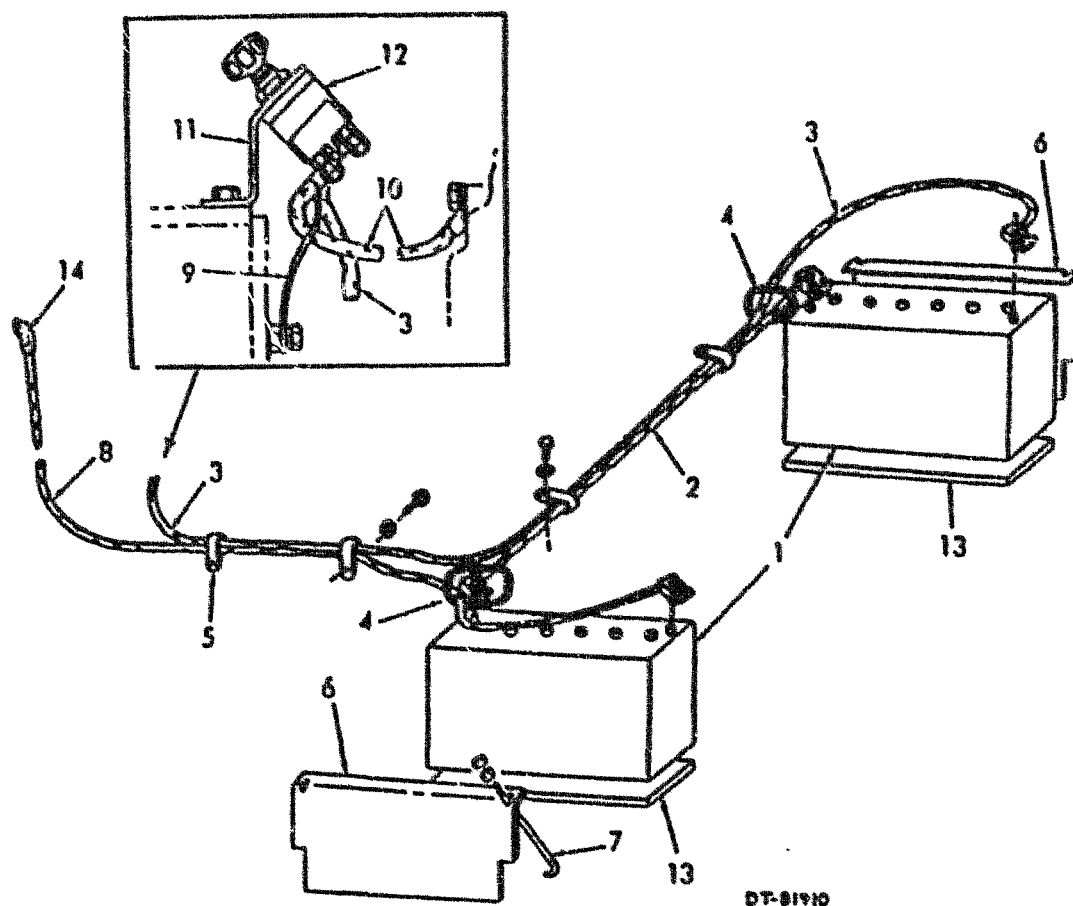
FR11

STARTER WIRING

F 205

3

REVISED OCTOBER 1990



ITEM	PART NO.	QTY.	CODE	DESCRIPTION	DENOMINAZIONE
1	70695470	2	25B	BATTERY(WET)	BATTERIA
	a70695469	2	25B	BATTERY(DRY)	BATTERIA
2	76011159	1	111C	CABLE, ELECTRIC	CAVO ELETTRICO
3	76011156	1	111C	CABLE, ELECTRIC	CAVO ELETTRICO
4	-----	2	50C	CHANNEL(9")	CAVALE
			600M	ORDER ITEM(S) IS	ORDINARE PARTIC.
5	70932871	4	120M	CLAMP	MORSETTO COLLARE
	70922300	3	40V	CAPSCREW, 3/8"NC X 3/4"	VITE
	70677006	3	131R	WASHER	ROSETTA
6	76010877	2	105P	PLATE	PIASTRA
7	76010878	4	90A	ROD	ASTA
	14496521	4	131R	WASHER	ROSETTA
	70920397	4	257C	LOCKNUT, 1/4"NC	CONTRODADO
8	76011149	1	111C	CABLE, ELECTRIC	CAVO ELETTRICO
9	79017173	1	112C	CABLE, GROUND	CAVO DI MASSA
	70922300	1	40V	CAPSCREW, 3/8"NC X 3/4"	VITE
	70677006	1	131R	WASHER	ROSETTA
10	73070758	1	112C	CABLE, GROUND	CAVO DI MASSA
	15970530	1	40V	CAPSCREW, M12 X 1.25 X 20MM	VITE
	70929156	1	131R	WASHER	ROSETTA
11	76010015	1	215S	BRACKET, ANGLE	SQUADRETTA
	70927187	2	40V	CAPSCREW, 3/8"NC X 1"	VITE
	70677006	2	131R	WASHER	ROSETTA
12	79073032	1	73I	SWITCH	INTERRUTTORE
			601D	INCLUDES KEY(S)	INCL. CHIAVE
			600N	SERVICED AS A UNIT	FORNITO COME COMPLESS.
	79073033	1	60L	KEY	LINGUETTA
13	04991458	2	105P	PLATE	PIASTRA
14	60093124	1	330C	BOOT	CIFFIA DI PROTEZIONE
15	70243526	1	501S	ELECTROLYTE(6 QT)	ELETTROLITO
	73108135	1	501S	ELECTROLYTE(5 GAL)	ELETTROLITO
16	73047354	-	50C	CHANNEL(25')	CAVALE

a. EACH REQUIRES 6.5 QTS. OF ITEM 15.

OGNUNA NECESSITA 6.5 QT DI 15.

CHACUN NECESSITE 6.5 QT DU 15.

JE EINHEIT SIND CA. 6.5 LTR. VON NR. 15 ERFORDERLICH.

CADA UNO REQUIERE 6.5 QT DEL 15.

FR11

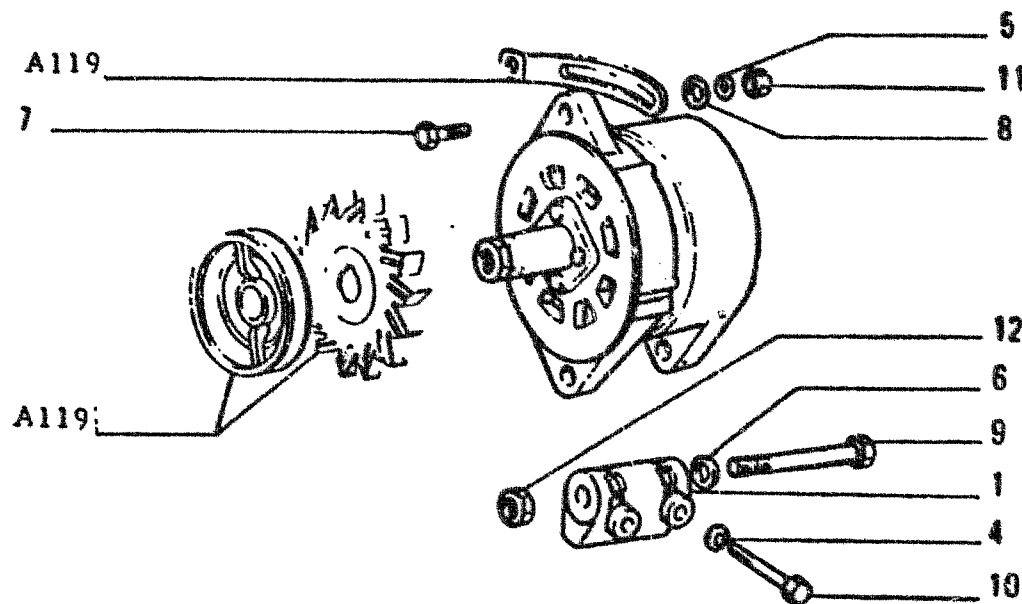
BATTERIES & CABLES
BATTERIE E CAVI
ACCUS ET CABLES
BATTERIEN UND KABEL
BATERIAS Y CABLES

F 301

REVISED OCTOBER 1990

F303

ITEM	PART NO.	QTY.	CODE	DESCRIPTION	DENOMINAZIONE
-	04757193	1	25A	ALTERNATOR (F303/1)	ALTERNATORE
1	04600128	1	300S	SUPPORT	SUPPORTO
4	11193879	2	132R	LOCKWASHER	ROSETTA DI SICUREZZA
5	11190579	1	132R	LOCKWASHER	ROSETTA DI SICUREZZA
6	11198679	1	132R	LOCKWASHER	ROSETTA DI SICUREZZA
7	15970924	1	40V	CAPSCREW, 10 X 1.25 X 35	VITE
8	12646801	1	131R	WASHER	ROSETTA
9	15541824	1	40V	CAPSCREW	VITE
10	16044224	2	40V	CAPSCREW	VITE
11	12164711	1	100	NUT	DADO
12	16101511	1	100	NUT	DADO

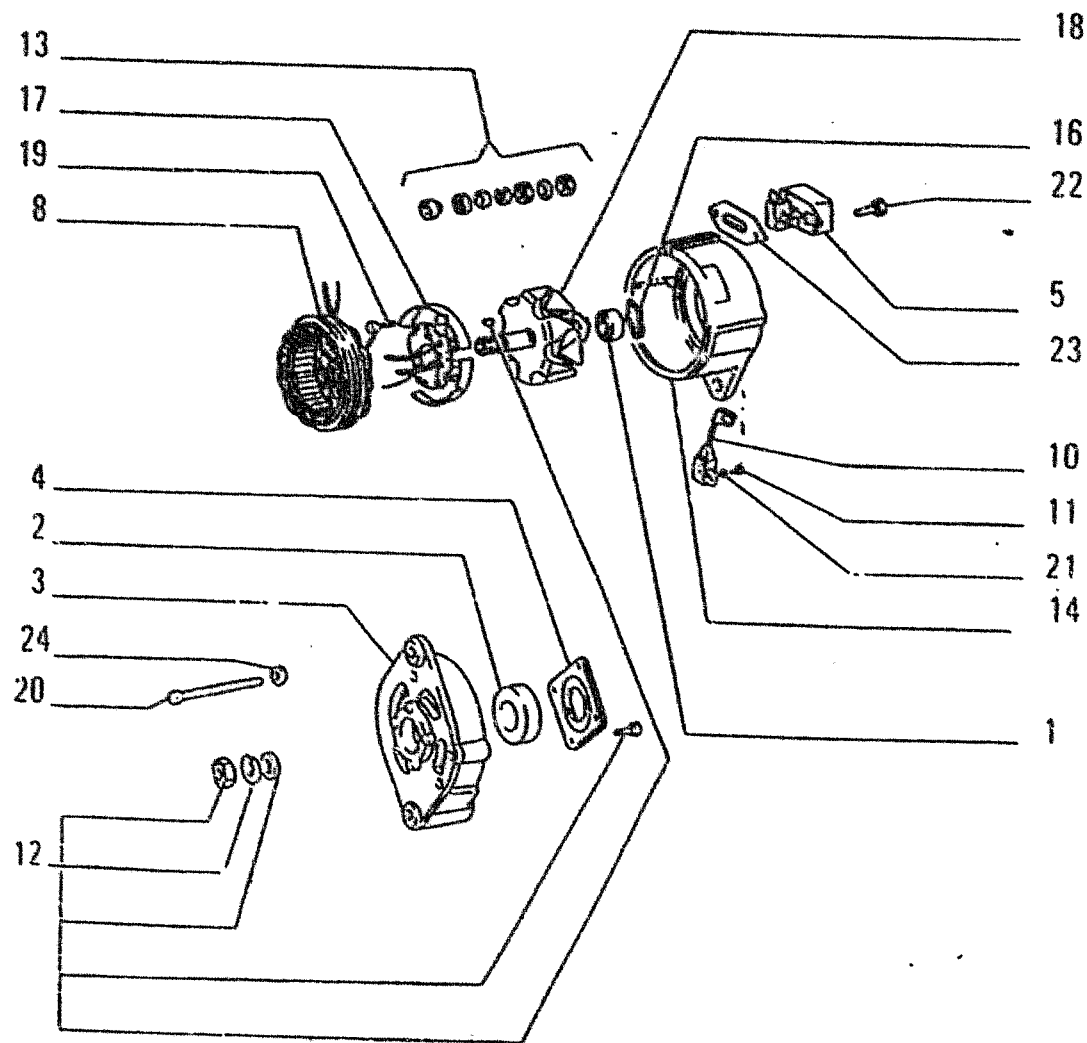


FR11

ALTERNATOR & MOUNTING
 ALTERNATORE E FISSAGGIO
 ALTERNATEUR ET SUPPORT
 WECHSELSTROMLICHTMASCHINE UND EINBAU
 ALTERNADOR Y SOPORTE

F303

Revised August 1988



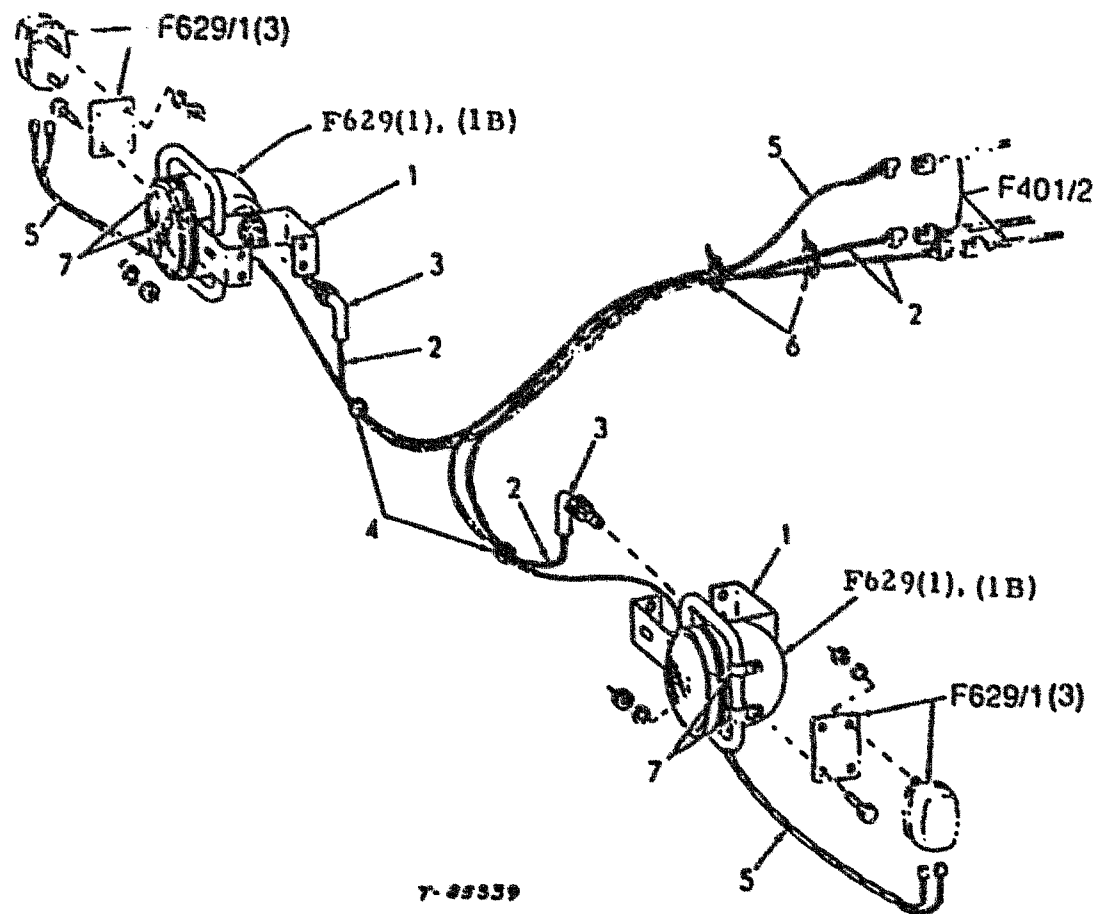
ITEM	PART NO.	QTY.	CODE	DESCRIPTION	DENOMINAZIONE
-	04757193	1	25A	ALTERNATOR	ALTERNATORE
			600L	INCLUDES ITEM(S)	INCLUDE PARTIC.(1)
1	24941650	1	341C	BEARING	CUSCINETTO
2	24941660	1	341C	BEARING	CUSCINETTO
3	79074704	1	300S	SUPPORT	SUPPORTO
4	79022468	1	105P	PLATE	PIASTRA
5	79074715	1	111G	REGULATOR	REGOLATORE
8	79074705	1	271S	STATOR	STATORE
10	79074709	1	220C	CONDENSER	CONDENSATORE
11	79074711	1	40V	CAPSCREW	VITE
12	01307188	1	129S	KIT	SERIE
13	79074707	1	129S	KIT	SERIE
14	79074708	1	300S	SUPPORT	SUPPORTO
16	79025494	1	55A	O-RING	ANELLO DI TENUTA
17	79074712	1	32R	RECTIFIER	RADDRIZZATORE
18	79074713	1	145R	ROTOR	ROTORE
19	79074706	2	40V	CAPSCREW	VITE
20	79074702	4	40V	CAPSCREW	VITE
21	79074710	3	132R	LOCKWASHER	ROSETTA DI SICUREZZA
22	79075883	2	40V	CAPSCREW	VITE
23	79074714	1	133R	SEAL	GUARNIZIONE TENUTA
24	14497821	4	131R	WASHER	ROSETTA

FR11

ALTERNATOR
ALTERNATORE
ALTERNATEUR
WECHSELSTROMLICHTMASCHINE
ALTERNADOR

F303/1

Added August 1988



ITEM PART NO. QTY. LEX. DESCRIPTION

1	76011601	2	80M	BRACKET
			600X	PRIOR TO UNIT NO. 530269
	76015628	1	80M	BRACKET
			600A	LEFT
			600Y	UNIT NO. 530269 AND UP
	76015629	1	80M	BRACKET
			600B	RIGHT
			600Y	UNIT NO. 530269 AND UP
	16043311	8	40V	CAPSCREW, M8 X 1.25 X 18MM
	10571771	8	132R	LOCKWASHER
2	76012150	1	105F	CABLE, HEAD LIGHT
3	79070322	2	67L	COUPLING, CABLE
4	76011640	2	500J	GROMMET
5	76012127	1	105F	CABLE, TURN SIGNAL
6	79013422	3	501H	TIE
7	70925619	4	120M	CLAMP

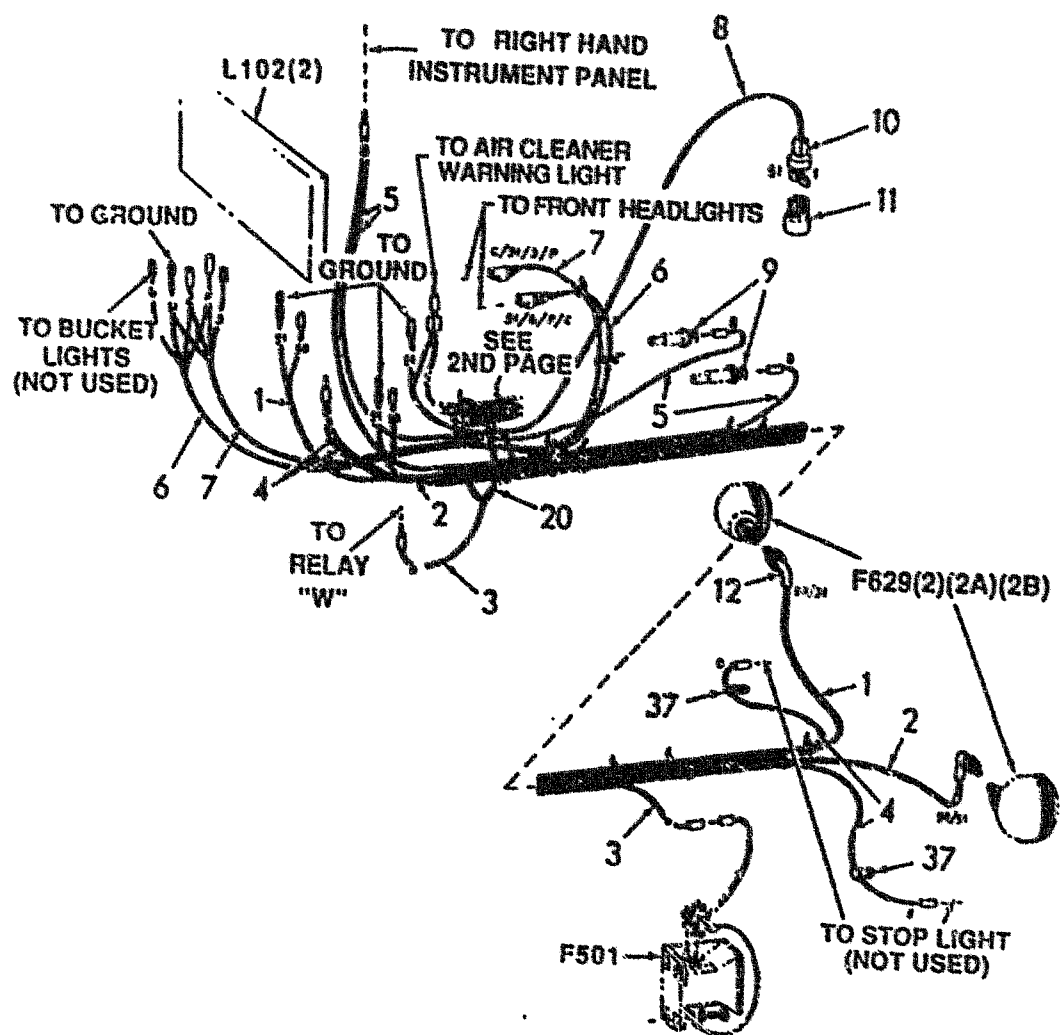
FR11

LIGHTS & WIRING

F401

1

REVISED NOVEMBER 1990



T-85342

ITEM	PART NO.	QTY.	CODE	DESCRIPTION	DENOMINAZIONE
-	76011754	1	105F	CABLE	FUNE
	600L			INCLUDES ITEM(S)	INCLUDE PARTIC.(1)
				1-8,13-15	
1	-----	1	60F	WIRE(6050MM)(#50,51)	FILO
				RIGHT REAR FLOOD LIGHT TO FUSE BLOCK POSITION #2 TO GROUND	
2	-----	1	60F	WIRE(5350MM)(#50,51)	FILO
				LEFT REAR FLOOD LIGHT TO FUSE BLOCK POSITION #2 TO GROUND	
3	-----	1	60F	WIRE(4400MM)("D")	FILO
				REVERSE ALARM TO CONNECTION FROM RELAY "W" POSITION #87	
4	-----	1	60F	WIRE, REAR STOP("S")	FILO
			601R	NOT APPLICABLE	NON APPLICABILE
5	-----	1	60F	WIRE(5350MM)(#8) POWER	FILO
				CLUSTERS OVER STROKE SWITCH TO CONNECTION FROM DIODE	
6	-----	1	60F	WIRE(2150MM)(#51, #6, C, P) FILO	
				LEFT FRONT HEAD LIGHT CONNECTION TO FUSE BLOCK POSITION #3(P), TO FUSE BLOCK POSITION #4 (C), TO GROUND (#51); ALSO FROM FUSE BLOCK POSITION #6(G) TO BUCKET LIGHTS (NOT USED)	
7	-----	1	60F	WIRE(2230MM)(#51, #3, C, P) FILO	
				RIGHT FRONT HEAD LIGHT CONNECTION TO FUSE BLOCK POSITION #3(P), TO FUSE BLOCK POSITION #4 (C) TO GROUND (#51); ALSO FUSE BLOCK POSITION #5 (3) TO BUCKET LIGHTS (NOT USED)	
8	-----	1	60F	WIRE(4200MM)(#1, #51) AIR FILO	
				CLEANER SENDING UNIT TO AIR CLEANER WARNING LIGHT (#1) TO GROUND (#51)	
9	-----	2	751	SWITCH, OVERSTROKE (G437(1))	INTERRUTTORE
10	79069901	1	330C	BOOT	CUFFIA DI PROTEZIONE
11	79081900	1	160T	SENDING UNIT, AIR CLEANER	TRASMETTITORE
12	79070322	2	330C	BOOT	CUFFIA DI PROTEZIONE

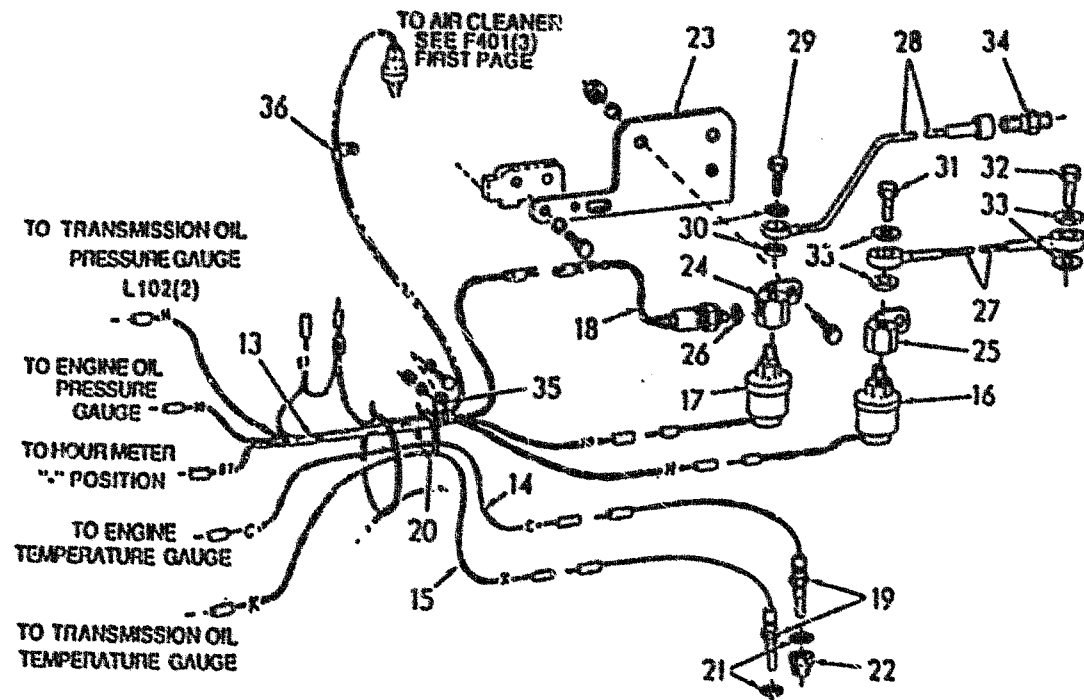
FR11

LIGHTS & WIRING
 LUCI E CAVI
 ECLAIRAGE ET FILS
 LEUCHTEN UND ELEKTRISCHE LEITUNGEN
 ALUMBRADO Y CABLES

F401

3

REVISED OCTOBER 1990



T-89343

ITEM	PART NO.	QTY.	LEX.	DESCRIPTION
13	-----	1	60F	WIRE (3000MM)(#11,#10, FILO #87,#51) #11 TRANS OIL PRES SURE SENDING TO TRANS OIL PRESSURE GAUGE, #10 ENGINE OIL PRESSURE SENDING UNIT TO ENGINE OIL PRESSURE GAUGE, #87 HOURMETER SENDING UNIT TO "-" POSITION ON HOURMETER, #51 TO GROUND
14	-----	1	60F	WIRE (4000MM)(C) ENGINE FILO TEMPERATURE SENDING UNIT TO ENGINE TEMPERATURE GAUGE
15	-----	1	60F	WIRE (3700MM) (R) TRANS FILO TEMPERATURE SENDING UNIT TO TRANS TEMPERATURE GAUGE
16	79067266	1	160T	SENDING UNIT, TRANS OIL PRESSURE
17	79051198	1	160T	SENDING UNIT, ENGINE OIL PRESSURE
18	79036974	1	160T	SENDING UNIT, HOURMETER
19	79035419	2	160T	SENDING UNIT, ENGINE & TRANS TEMPERATURE
	79072544	2	600X 160T	PRIOR TO UNIT NO. SENDING UNIT, ENGINE TRANS. TEMPERATURE
20	79013422	-	600Y 501H 600P	UNIT NO. AND UP TIE AS REQUIRED
21	10257060	2	123G	GASKET
22	76008466	1	20R	FITTING, ENGINE TEMPERATURE
23	76011103	1	105P	PLATE
	15970521	4	40V	CAPSCREW, M10 X 1.25 X 20
	10516870	4	132R	LOCKWASHER
	12164721	2	10D	NUT, M10
24	76011096	1	300S	SUPPORT
25	79053317	1	300S	SUPPORT
26	10260160	1	123G	GASKET

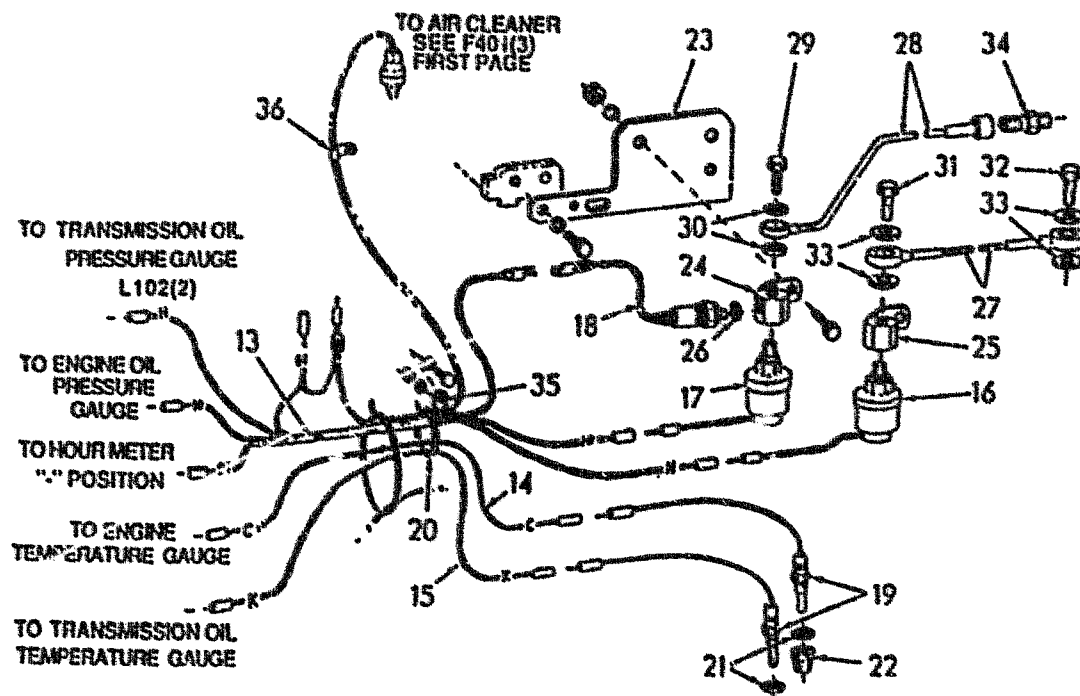
FR11

GAUGE SENDING UNITS & WIRING

F401

3

REVISED OCTOBER 1990



T-85343

ITEM	PART NO.	QTY.	LEX.	DESCRIPTION
27	76009175	1	206T	TUBE, TRANS. OIL PRESSURE
28	76011753	1	206T	TUBE, ENGINE OIL PRESSURE
29	11903717	1	20R	FITTING
30	14330260	2	123G	GASKET
31	11903817	1	20R	FITTING
32	04971119	1	20R	FITTING
33	11270060	4	123G	GASKET
34	79017116	1	20R	FITTING
35	79011406	2	89G	CLIP
	70922300	2	40V	CAPSCREW, 3/8"NC X 3/4"
	70677006	2	131R	WASHER
	70933623	2	10D	NUT
36	79020511	5	120M	CLAMP
37	10450190	4	120M	CLAMP
	70921566	2	40V	CAPSCREW, 5/11"NC X 1"
	15925601	2	40V	CAPSCREW
	70677005	2	131R	WASHER
	70933622	2	10D	NUT 1/16"NC

FR11

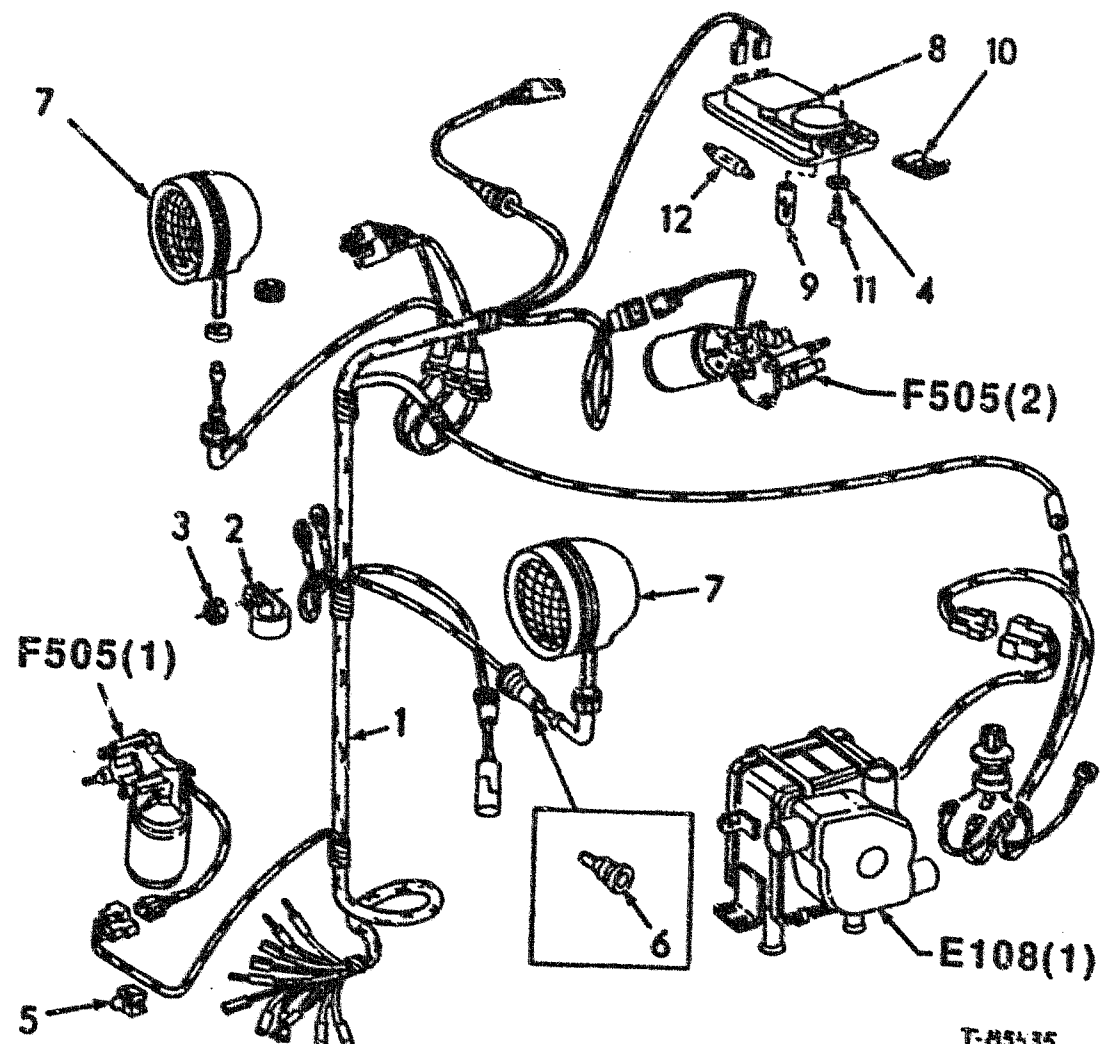
GAUGE SENDING UNITS & WIRING

F401

3

ADDED OCTOBER 1990

F401(4A)



ITEM	PART NO.	QTY.	CODE	DESCRIPTION	DENOMINAZIONE
1	76011813	1	111C	CABLE, ELECTRIC	CAVO ELETTRICO
2	10450390	10	89G	CLIP	GRAFFETTA
3	16100811	10	10D	NUT, 8X1.25X6.5	DADO
4	12637801	2	131R	WASHER	ROSETTA
5	7E008277	1	89G	CLIP	GRAFFETTA
6	79025060	1	45A	RING	ANELLO
7	79073818	2	116G	LIGHT ASSY. (F629(2))	GRUPPO OTTICO
8	79067876	1	135P	LAMP, CEILING	PLAFONIERA
9	79051015	1	30L	BULB	LAMPADA
10	14189876	2	89G	CLIP	GRAFFETTA
11	15688301	2	40V	CAPSCREW	VITE
12	14150290	1	30L	BULB	LAMPADA

USAGE: FIRST TYPE.:

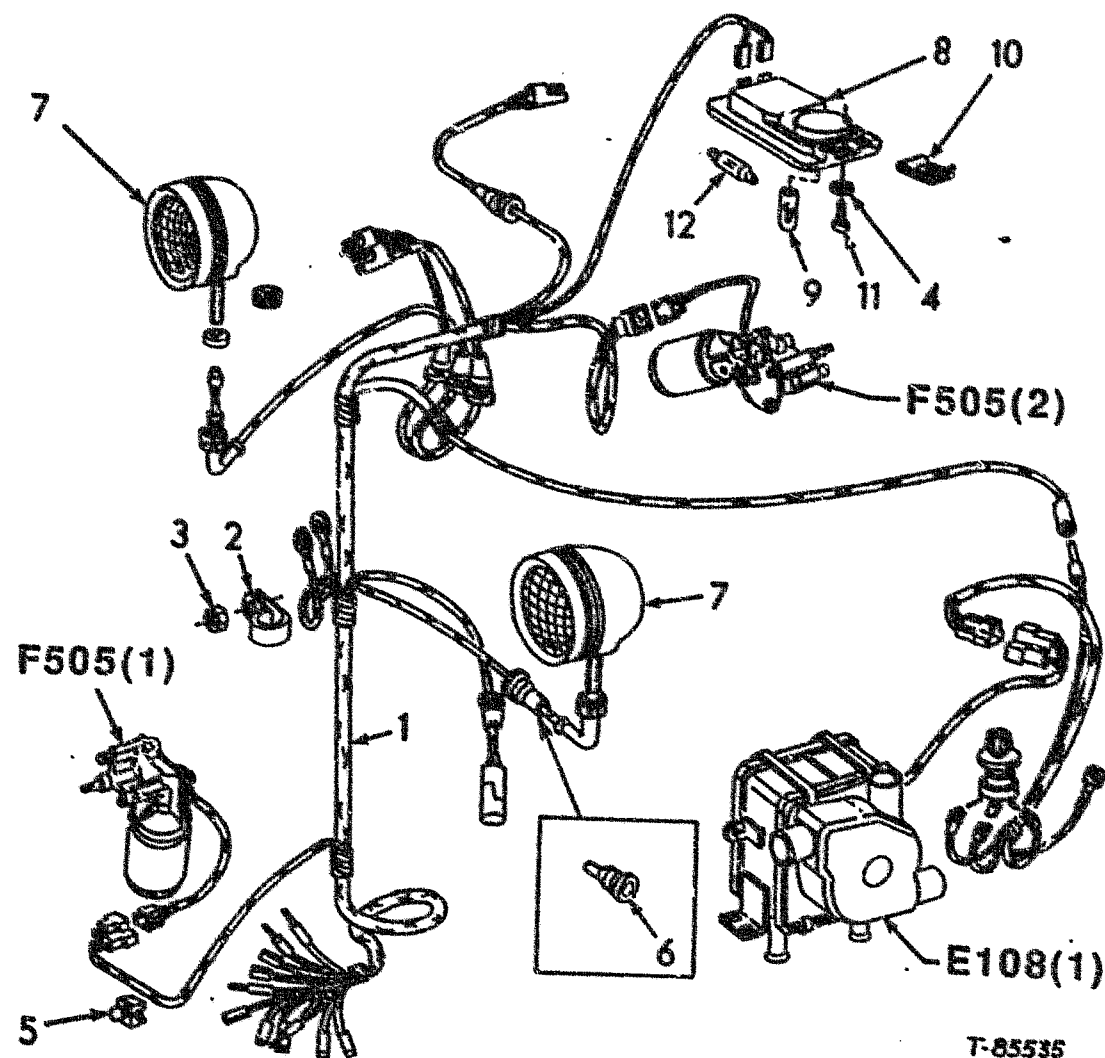
FR11

CAB WIRING
 CABINA-CAVI
 RESEAU ELECTRIQUE DE LA CABINE
 KÄBINENLEITUNGEN, ELEKTRISCHE
 CIRCUITO ELECTRICO DE LA CABINA

F401

4B

REVISED OCTOBER 1990



T-85535

ITEM	PART NO.	QTY.	CODE	DESCRIPTION	DENOMINAZIONE
1	76011813	1	111C	CABLE, ELECTRIC	CAVO ELETTRICO
1	10450390	10	89G	CLIP	GRAFFETTA
3	16100411	10	10D	NUT, 6X1.75X5.5	DADO
4	12637801	2	131R	WASHER	ROSETTA
5	76008277	1	89G	CLIP	GRAFFETTA
6	79025060	2	45A	RING	ANELLO
7	79073818	2	116G	LIGHT ASSY. (F629(2))	GRUPPO OTTICO
8	79067876	1	135P	LAMP, CEILING	PLAFONIERA
9	79051015	1	30L	BULB	LAMPADA
10	14189876	2	89G	CLIP	GRAFFETTA
11	15688301	2	40V	CAPSCREW	VITE
12	14150290	1	30L	BULB	LAMPADA

USAGE: FIRST TYPE.

FR11

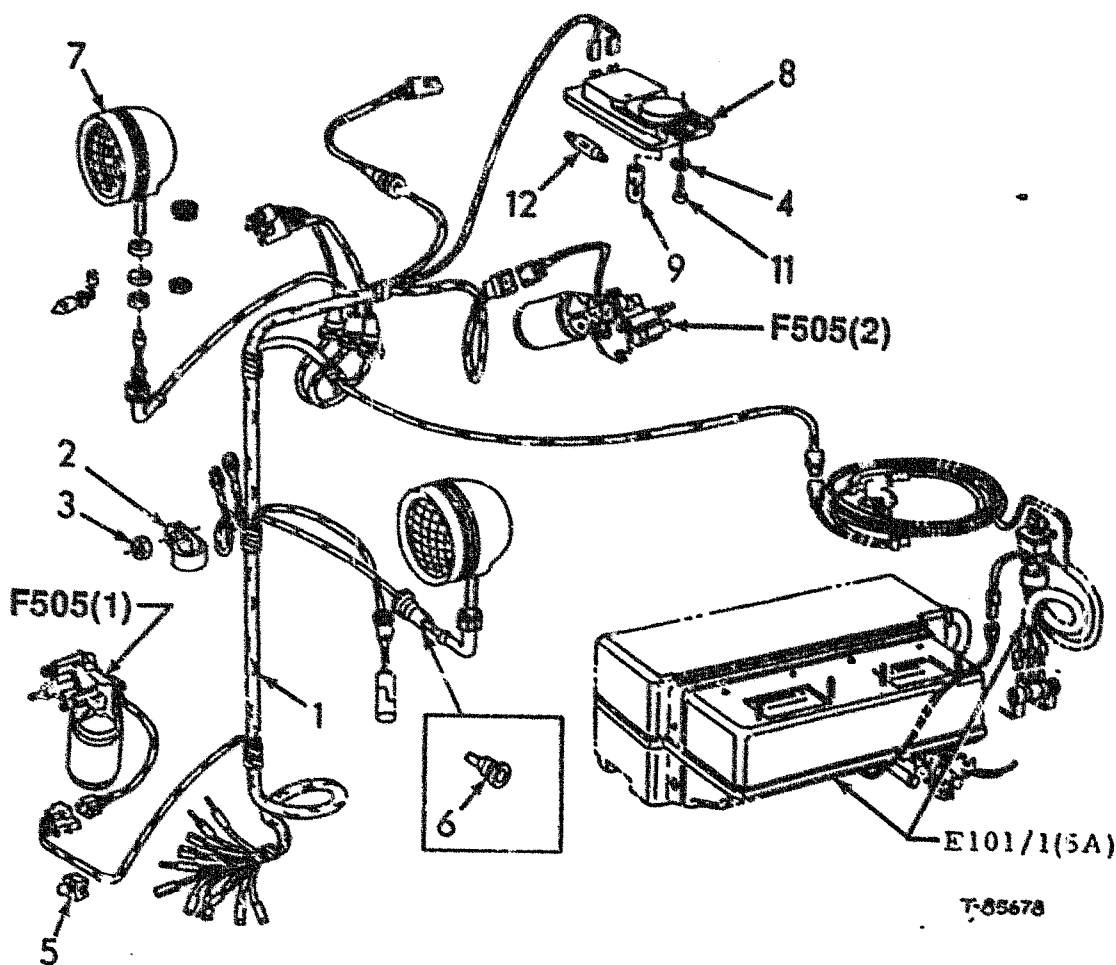
CAB WIRING
 CABINA-CAVI
 RESEAU ELECTRIQUE DE LA CABINE
 KABINENLEITUNGEN, ELEKTRISCHE
 CIRCUITO ELECTRICO DE LA CABINA

F401

6

Revised July 1986

F401(6B)



ITEM	PART NO.	QTY.	CODE	DESCRIPTION	DENOMINAZIONE
1	76011813	1	701	CABLE HARNESS	INSIEME CAVI
2	10450390	10	89G	CLIP	GRAFFETTA
3	16100811	10	10D	NUT	DADO
4	12637801	1	131R	WASHER	ROSETTA
5	76008277	8	120M	CLAMP	MORSETTO COLLARE
6	79025060	8	330C	BODY	CUFFIA DI PROTEZIONE
7	79073818	2	116G	LIGHT ASSY. (F629(2))	GRUPPO OTTICO
8	79067876	1	116G	LIGHT ASSY.	GRUPPO OTTICO
9	79051015	1	30L	BULB	LAMPADA
11	15688301	1	40V	CAPSCREW	VITE
12	14150290	2	30L	BULB	LAMPADA

USAGE: SECOND TIME

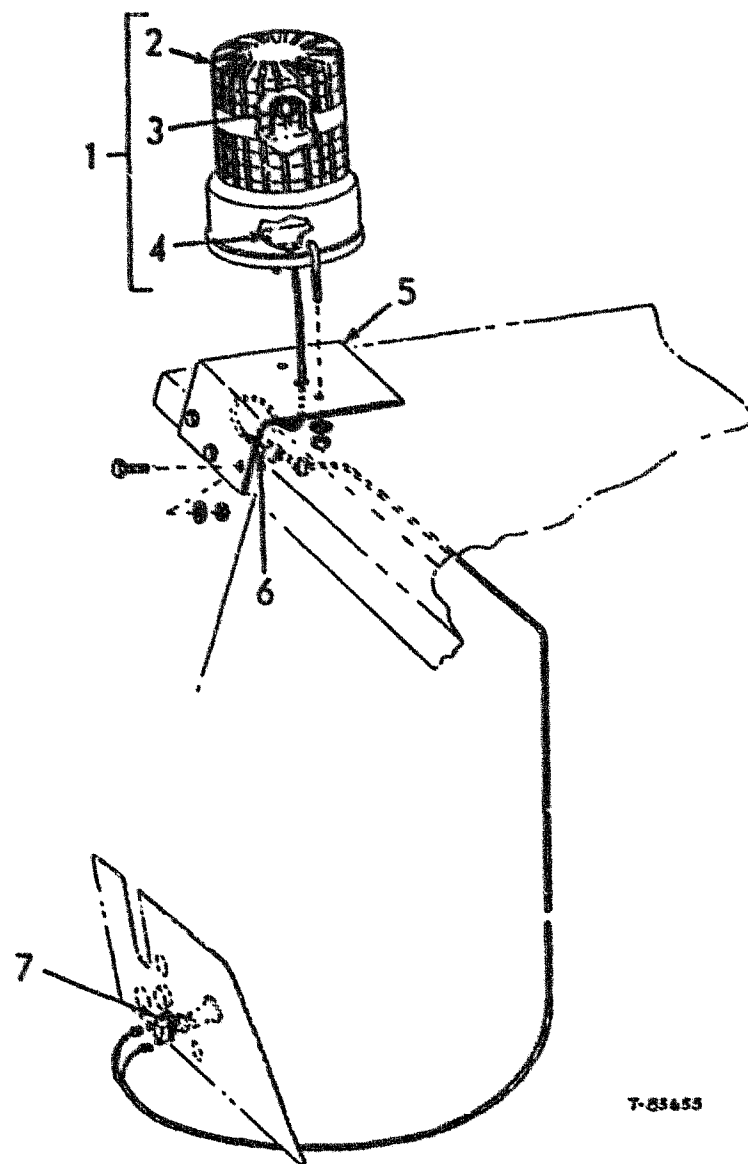
FR11

CAB WIRING

F401

6B

Revised August 1988



ITEM	PART NO.	QTY.	CODE	DESCRIPTION	DENOMINAZIONE
1	73123848	1	9F	LAMP ASSY., STROBE	FANALE
			600L	INCLUDES ITEMS 2-4	INCLUDE PARTIC.(1)
2	73129971	1	170T	LENS	TRASPARENTE
3	73129970	1	206T	TUBE	TUBO
4	73129969	1	35L	FLASHER	LAMPEGGIATORE
5	73299204	1	105P	PLATE	PIASTRA
	10902431	3	40V	CAPSCREW, M6 X 20	VITE
	14496401	3	131R	WASHER	ROSETTA
	15896221	3	10D	NUT, M6	DADO
6	73121529	1	75B	CONNECTOR	BLOCCHETTO CONNESSIONE
	73121530	1	94T	TERMINAL	TERMINALE
7	79045822	1	75I	SWITCH	INTERRUTTORE

FR11

STROBE LIGHT AND WIRING

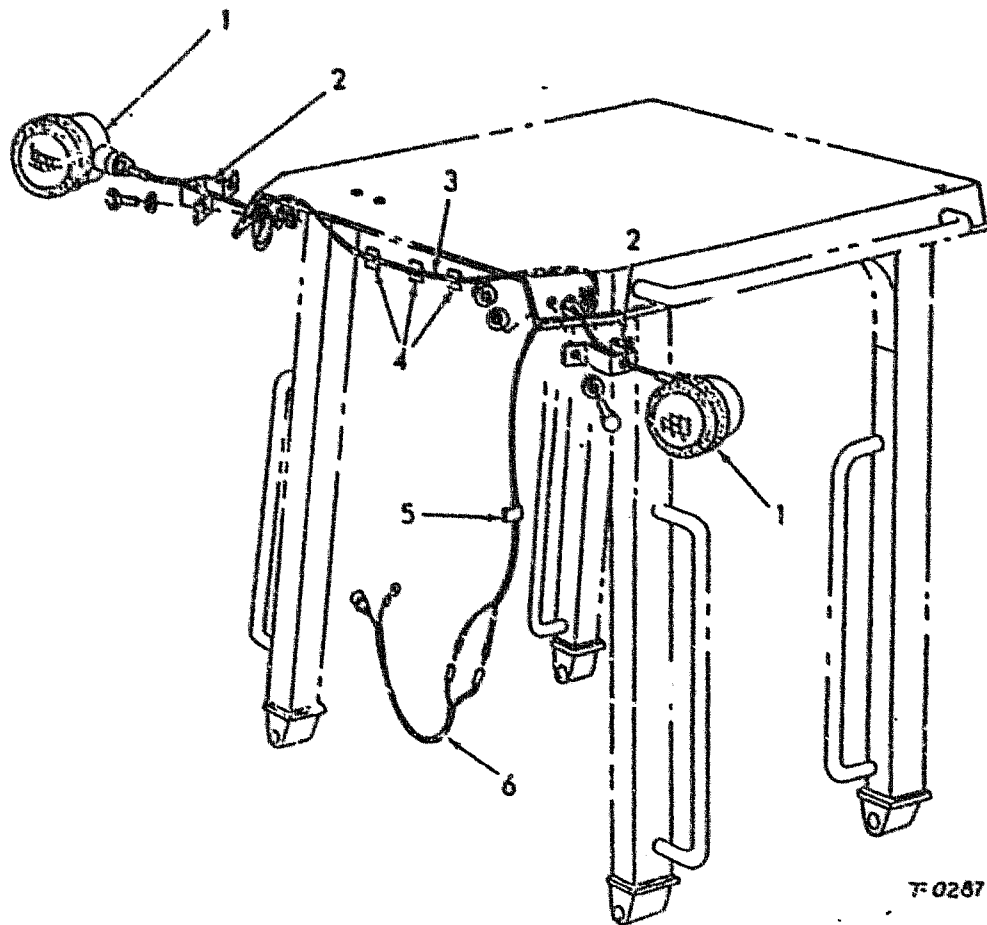
F401

7

ADDED OCTOBER 1990

F401(7A)

ITEM	PART NO.	QTY.	CODE	DESCRIPTION	DENOMINAZIONE
1	-----	1	116G	LIGHT ASSY(F629(2))	GRUPPO OTTICO
2	73155602	2	80M	BRACKET	MENSOLA
	11106234	4	40V	CAPSCREW	VITE
	12638621	8	131R	WASHER	ROSETTA
	11701721	4	10D	NUT	DADO
3	73155631	1	111C	CABLE, ELECTRIC	CAVO ELETTRICO
4	70928654	1	120M	CLAMP	MORSETTO COLLARE
5	76008277	9	120M	CLAMP	MORSETTO COLLARE
			600P	AS REQUIRED	DEFINITO AL MONTAGGIO
6	73155632	1	111C	CABLE, ELECTRIC	CAVO ELETTRICO



7-0287

USAGE: UNITS EQUIPPED WITH CANOPY ONLY. USO: UNITA CON TETTuccio SOLTANTO. USAGE: MACHINES EQUIPPED WITH CANOPY ONLY. USO: MAQUINAS EQUIPADAS CON TECHO.

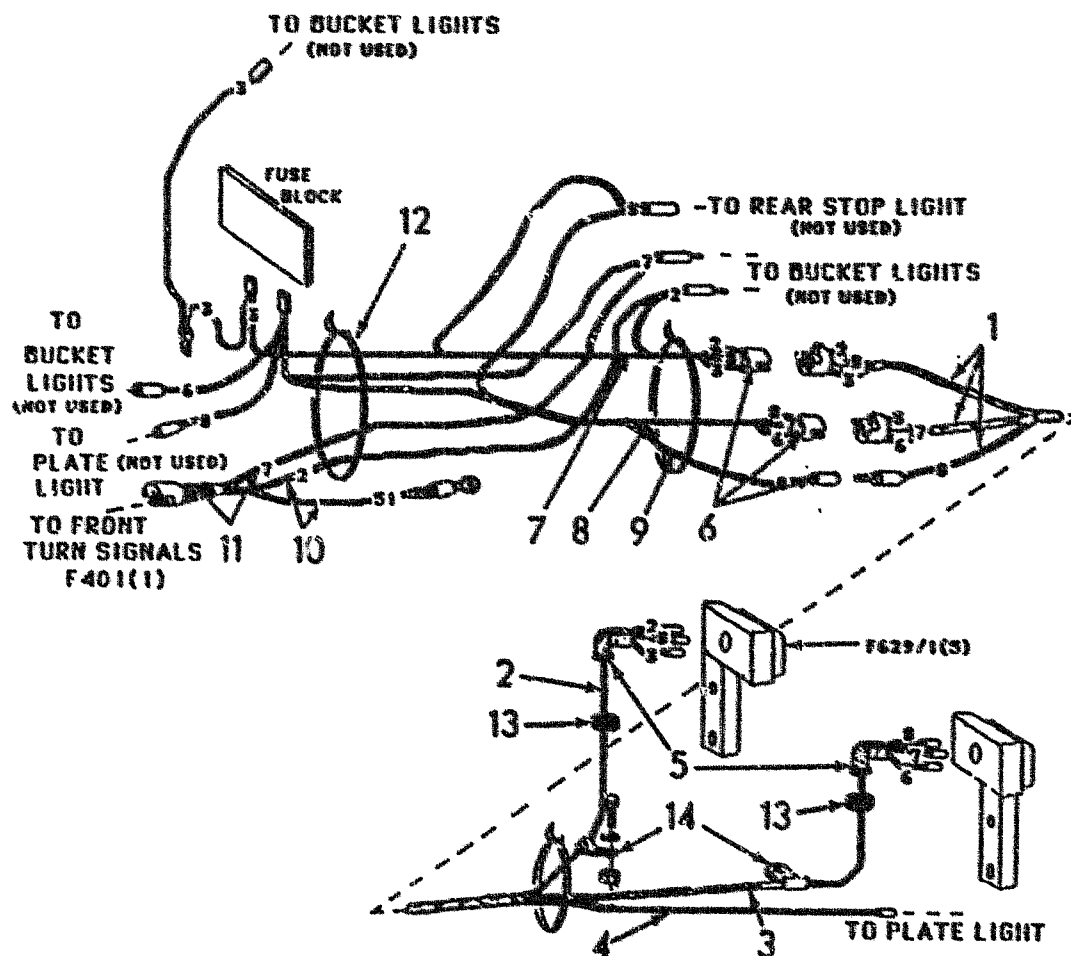
F401

LIGHTS & WIRING

F401

7A

Added August 1988



T-85341

ITEM	PART NO.	QTY.	CODE	DESCRIPTION	DENOMINAZIONE
1	76012229	1	60F	WIRE, TAIL LIGHT, REAR	FILO
			600L	INCLUDES ITEM(S)2-4	INCLUDE PARTIC.(1)
2	-----	1	60F	WIRE(3750MM)(#2,S,#3)	FILO
3	-----	1	60F	WIRE(2950MM)(S,#7,#6)	FILO
				RIGHT TAIL LIGHT	
4	-----	1	60F	WIRE(1500MM)(#8)	FILO
				LEFT TAIL LIGHT	
				LICENSE PLATE LIGHT	
5	79070320	2	330C	BOOT	NON APPLICABILE
					CUFFIA DI PROTEZIONE
6	76011791	1	60F	WIRE, TAIL LIGHT, FRONT	FILO
				SECTION	
			600L	INCLUDES ITEM(S)7-11	INCLUDE PARTIC.(1)
7	-----	1	60F	WIRE(2900MM)(#2,S,#3)	FILO
				REAR SECTION TO FUSE BLOCK POSITION 5	
8	-----	1	60F	WIRE(2900MM)(S,#7,#6)	FILO
				REAR SECTION TO FUSE BLOCK POSITION 6	
9	-----	1	60F	WIRE(2900MM)(#8)	FILO
				LICENSE PLATE LIGHT	
			601R	NOT APPLICABLE	NON APPLICABILE
10	-----	1	60F	WIRE(2300MM)(#2,#51)	FILO
				REAR SECTION TO FRONT TURN SIGNALS TO GROUND	
11	-----	1	60F	WIRE(2300MM)(#51,#7)	FILO
				REAR SECTION TO FRONT TURN SIGNALS TO GROUND	
12	79013422	-	501H	TIE	TIRANTE
			600P	AS REQUIRED	DEFINITO AL MONTAGGIO
13	70912765	2	500J	GROMET	
14	10441190	4	120M	CLAMP	
	70927401	4	40V	CAPSCREW, 1/4"NC X 1"	
	70928190	4	131R	WASHER	
	70933621	4	10D	NUT, 1/4"	

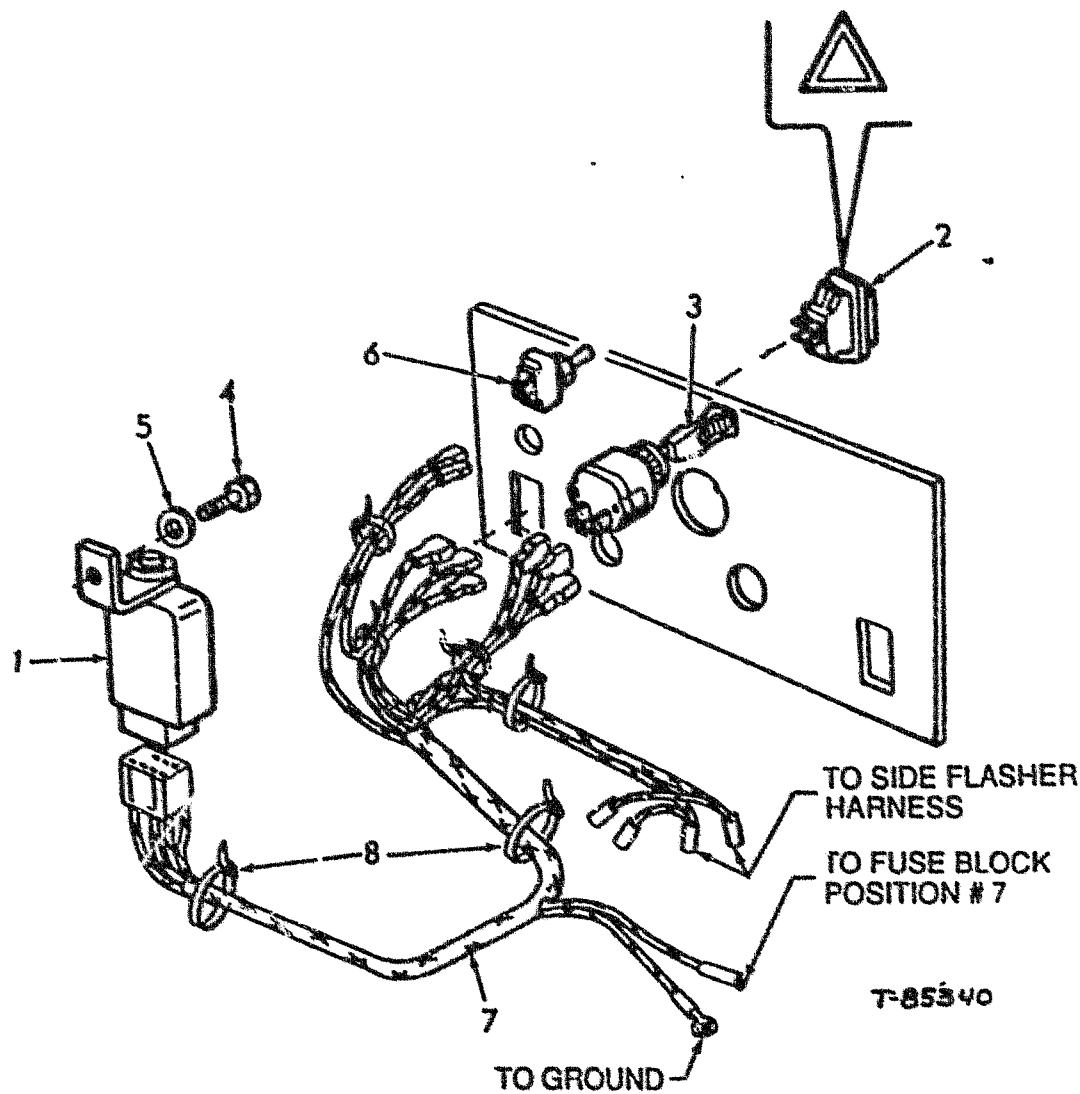
FR11

LIGHTS & WIRING
 LUCI E CAVI
 ECLAIRAGE ET FILS
 LEUCHTEN UND ELEKTRISCHE LEITUNGEN
 ALUMBRADO Y CABLES

F401/1

REVISED OCTOBER 1990

F401/2



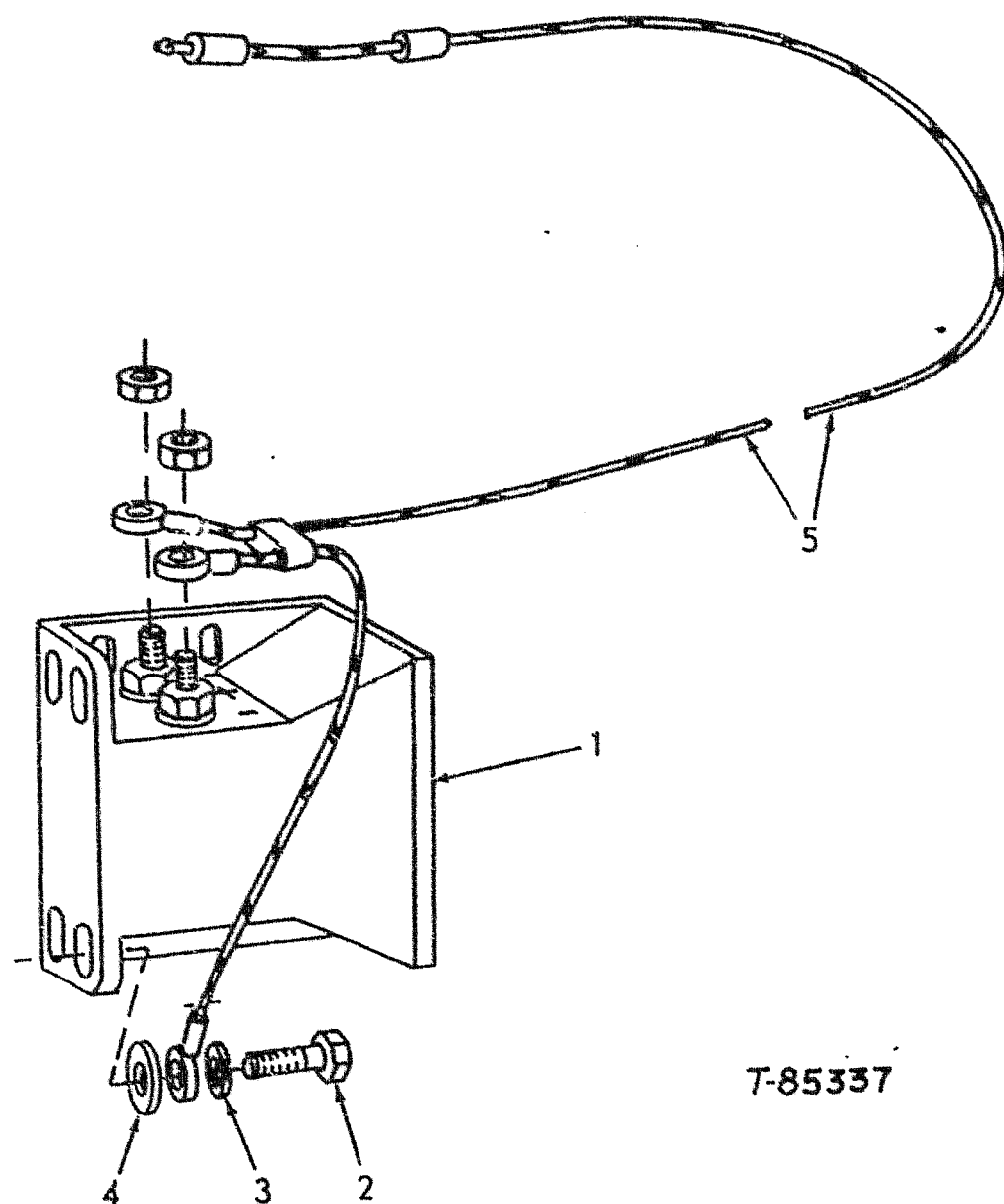
ITEM	PART NO.	QTY.	CODE	DESCRIPTION	DENOMINAZIONE
1	79055992	1	35L	FLASHER	LAMPEGGIATORE
2	79051697	1	75I	SWITCH	INTERRUTTORE
3	79051695	1	7D	VALVE, DIVERTOR	DEVIATORE
4	70929002	1	40V	CAPSCREW	VITE
5	70904204	1	131R	WASHER	ROSETTA
6	73059893	2	75I	SWITCH	INTERRUTTORE
7	76012117	1	60F	WIRE	FILO
8	79013422	-	501H	TIE	TIRANTE
			600P	AS REQUIRED	DEFINITO AL MONTAGGIO

FR11

SIDE & FLASHER LAMP
 LUCE LATERALE E DIREZIONE
 AMPOULE POUR LES COTES ET LESS INTERMITTENTS
 SEITEN- UND BLINKLEUCHTE
 BOMBILLO PARA LOS COSTADOS Y INTERMITENTES

F401/2

F501



ITEM	PART NO.	QTY.	CODE	DESCRIPTION	DENOMINAZIONE
1	73131968	1	105A	HORN	AVVISATORE
2	10902431	2	40V	CAPSCREW, 6 X 1 X 20	VITE
3	10516471	2	132R	LOCKWASHER, 6.1 X 1.8	ROSETTA DI SICUREZZA
4	12646621	2	131R	WASHER	ROSETTA
5	76012095	1	60F	WIRE	FILO

T-85337

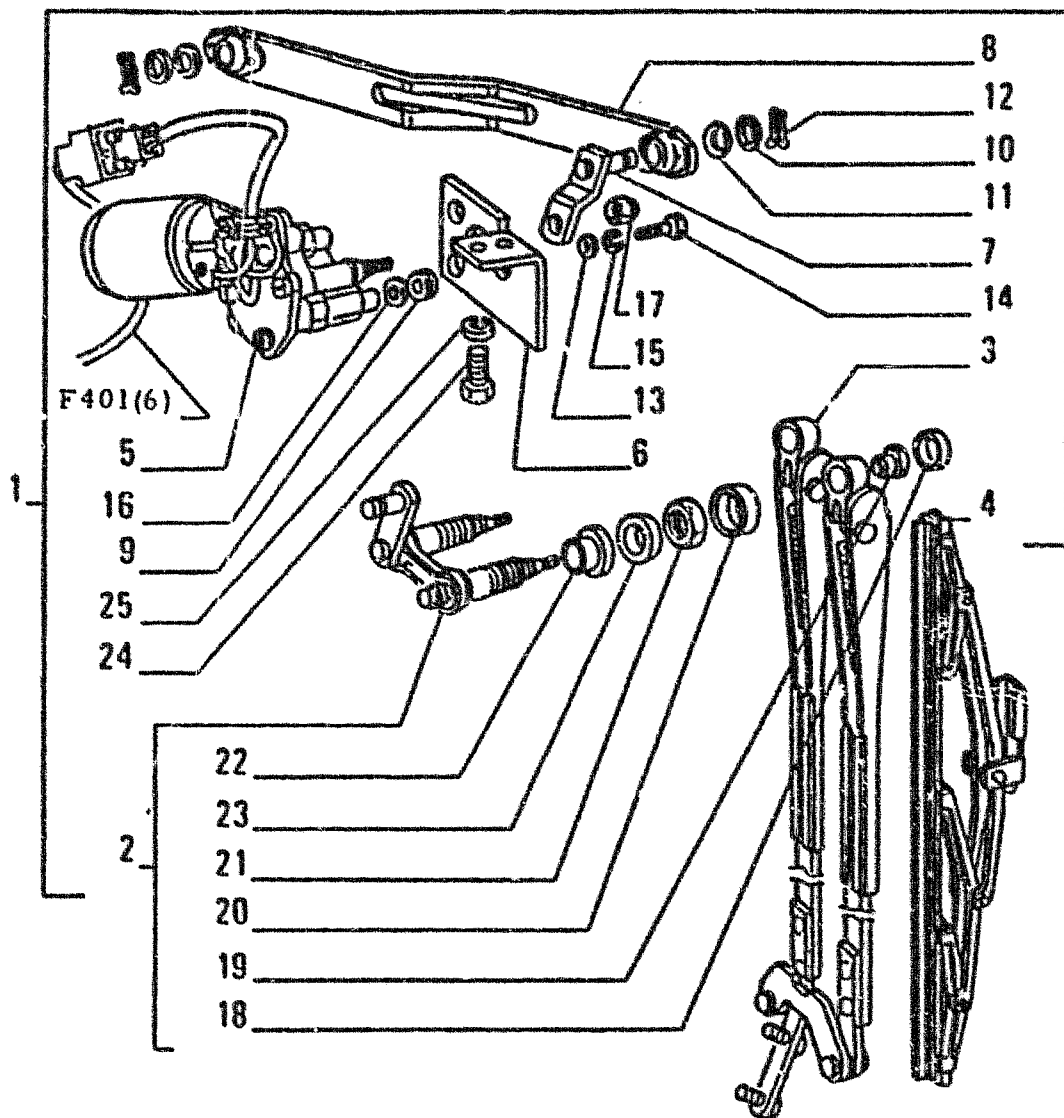
FR11

BACK-UP ALARM
 AVISATORE RETROMARCIA
 AVERTISSEUR DE REcul
 RUCKSETZ-WARNHORN
 BOCINA DE RETRUCESO

F501

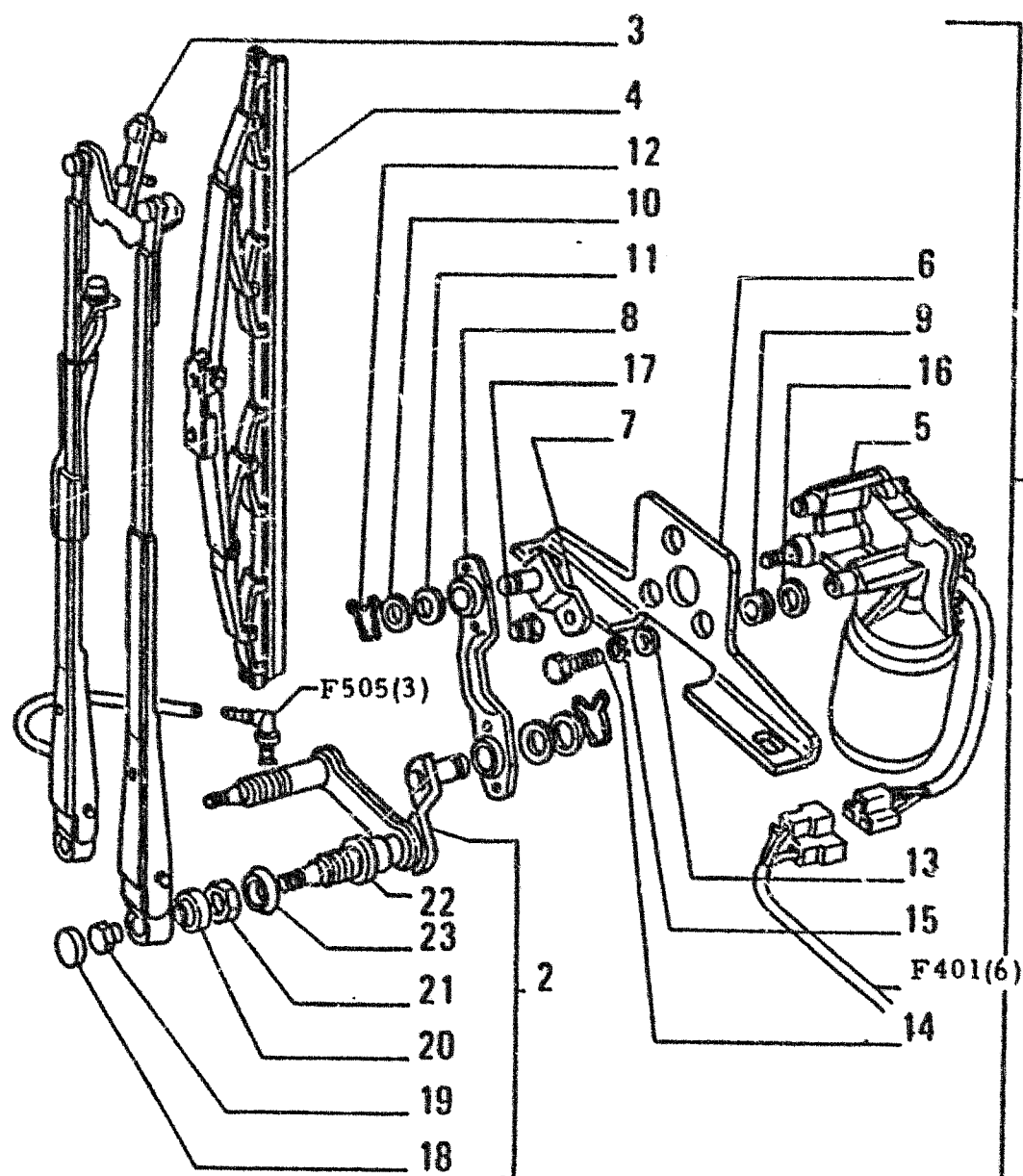
Revised August 1988

F505(2A)



ITEM	PART NO.	QTY.	CODE	DESCRIPTION	DENOMINAZIONE
1	79042076	1	93T	WIPER, WINDSHIELD ASSY.	TERGICRISTALLO
2	79044707	1	80P	PIN ASSY.	PERNO
3	79044709	1	132B	ARM, SWINGING	BRACCIO OSCILLANTE
4	79044706	1	177S	BRUSH	SPAZZOLA
5	79046131	1	128M	MOTOR, ELECTRIC	MOTORE ELETTRICO
6	79046132	1	300S	SUPPORT	SUPPORTO
7	79044658	1	45L	LEVER	LEVA
8	79044708	1	75C	LINK	GLIFO
9	79044656	1	45A	RING	ANELLO
10	79044653	2	131R	WASHER	ROSETTA
11	79044654	2	100M	SPRING	MOLLA
12	79044652	2	89G	CLIP	GRAFFETTA
13	126437Q1	3	131R	WASHER	ROSETTA
14	10902231	3	40V	CAPSCREW	VITE
15	10571571	3	132R	LOCKWASHER	ROSETTA DI SICUREZZA
16	14496601	3	131R	WASHER	ROSETTA
17	16100821	1	100	NUT	DADO
18	79045385	2	50T	PLUG	TAPPO
19	79046327	2	100	NUT	DADO
20	79045384	2	75D	SPACER	DISTANZIALE
21	16102621	2	100	NUT	DADO
22	79052606	2	95B	BUSHING	BOCCOLA
23	79044651	2	75D	SPACER	DISTANZIALE
24	16043431	2	40V	CAPSCREW	VITE
25	10571771	2	131R	WASHER	ROSETTA

FR11	CAB WIPERS CABINA-TERGICRISTALLI ESSUIE-GLACES KABINENWISCHER LIMPIAPARABRISAS	F505	2A
		REVISED OCTOBER 1990	



USAGE: First Type

ITEM	PART NO.	QTY.	CODE	DESCRIPTION	DENOMINAZIONE
1	79044647	1	93T	WIPER, WINDSHIELD ASSY.	TERGICRISTALLO
2	79066420	1	80P	PIN, ASSY.	PERNO
3	79044710	1	132B	ARM, SWINGING	BRACCIO OSCILLANTE
4	79044705	1	177S	BRUSH	SPAZZOLA
5	79066426	1	128H	MOTOR, ELECTRIC OR	MOTORE ELETTRICO
	79044657	1	128H	MOTOR, ELECTRIC	MOTORE ELETTRICO
6	79044648	1	300S	SUPPORT	SUPPORTO
7	79066424	1	45L	LEVER	LEVA
8	79066422	1	75G	LINK	GLIFO
9	79044656	1	45A	RING	ANELLO
10	79044653	2	131R	WASHER	ROSETTA
11	79044654	2	100M	SPRING	MOLLA
12	79044652	2	89G	CLIP	GRAFFETTA
13	12643701	3	131R	WASHER	ROSETTA
14	10902231	3	40Y	CAPSCREW	VITE
15	10571571	3	132R	LOCKWASHER	ROSETTA DI SICUREZZA
16	14496601	3	131R	WASHER	ROSETTA
17	16100821	1	100	NUT	DADO
18	79045385	2	50T	PLUG	TAPPO
19	16100821	2	100	NUT	DADO
20	79045384	2	75D	SPACER	DISTANZIALE
21	16102621	2	100	NUT	DADO
22	10284585	2	131R	WASHER	ROSETTA
23	79044651	2	75D	SPACER	DISTANZIALE

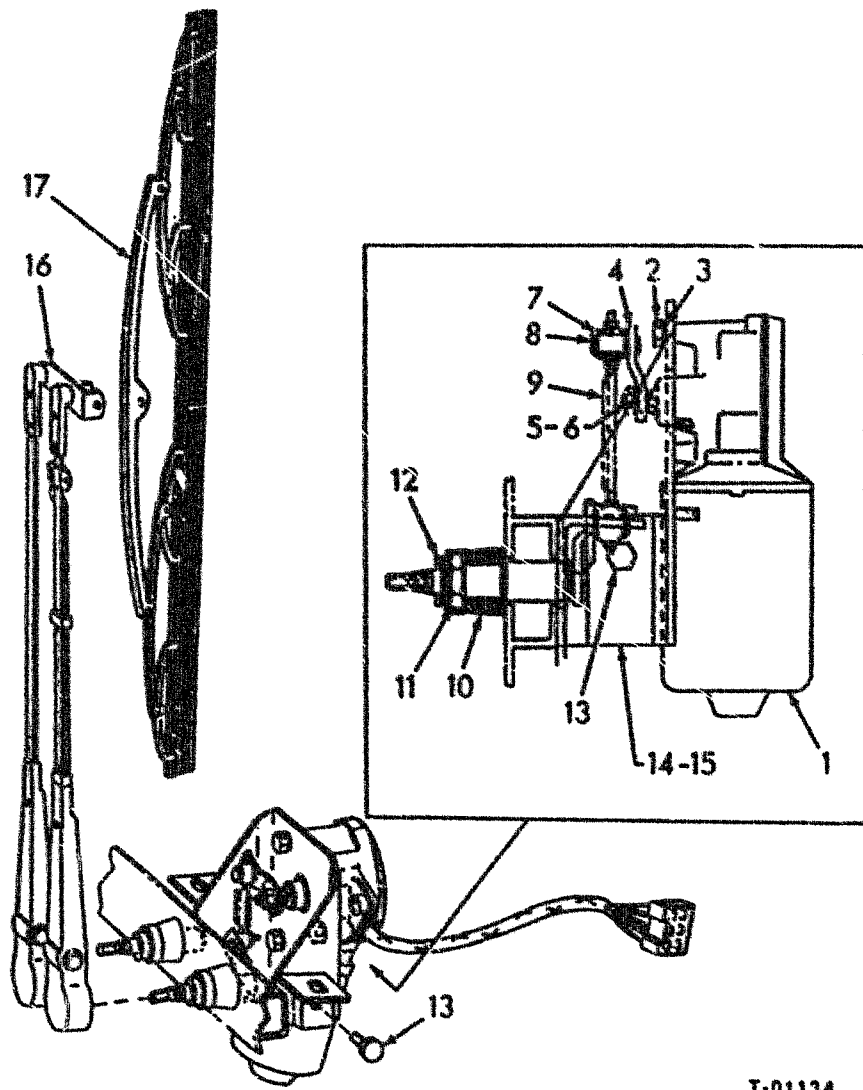
FR11

CAB WIPERS
CABINA-TERGICRISTALLI
ESSUIE-GLACES
KABINENWISCHER
LIMPIAPARABRISAS

F505

2B

Revised August 1988



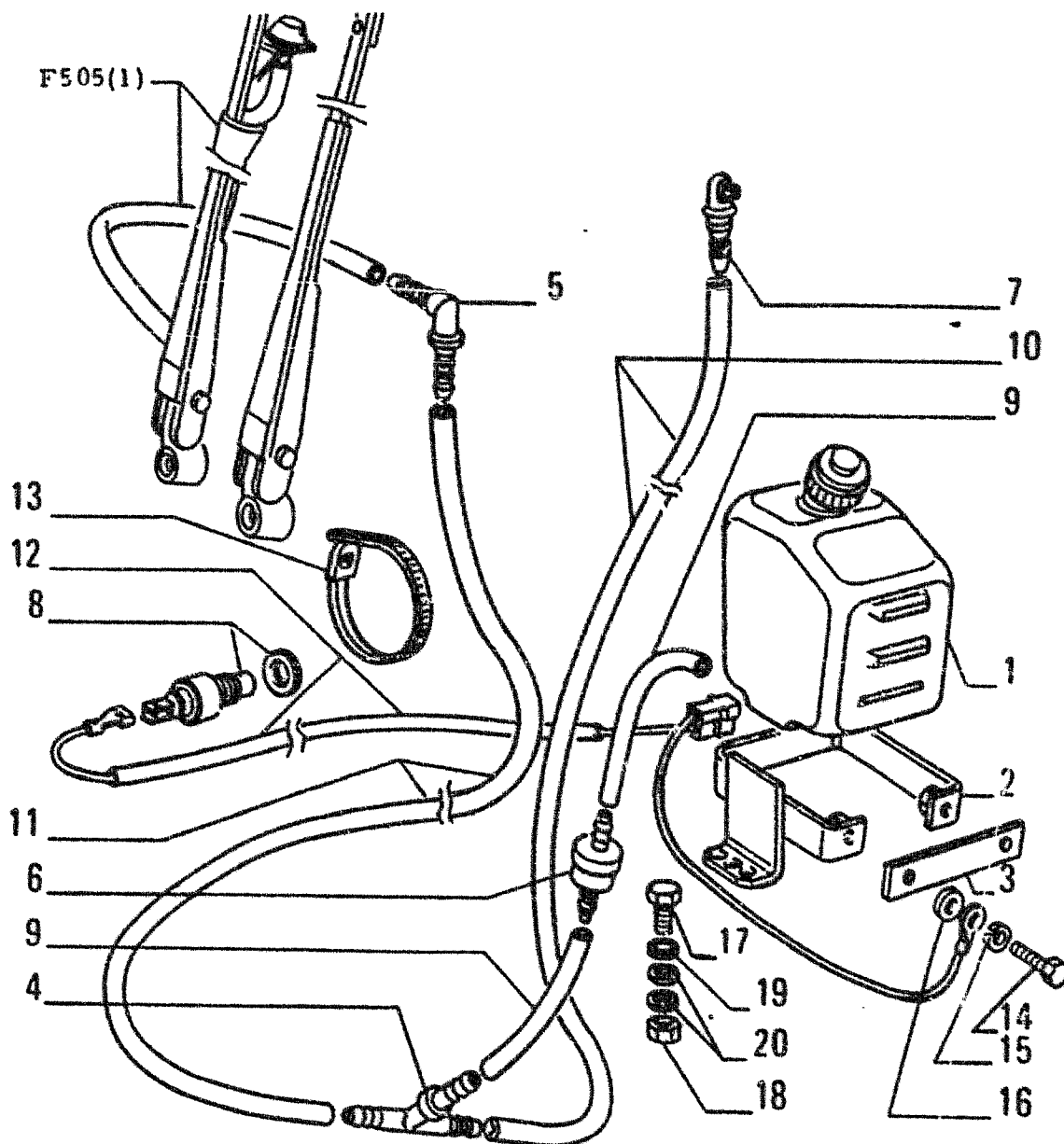
T-01134

ITEM	PART NO.	QTY.	LEX.	DESCRIPTION
-	79102777	1	93T	WIPER, WINDSHIELD
			600L	INCL. ITEMS 1-15
1	79102792	1	128M	MOTOR, ELECTRIC
2	10902231	3	40V	CAPSCREW, M6 X 16
3	10571570	3	132R	LOCKWASHER
4	-----	1	45L	LEVER
5	16100821	3	10D	NUT, M8
6	10571770	3	132R	LOCKWASHER
7	-----	4	131R	WASHER
8	-----	2	56A	RING, RETAINING
9	79102835	1	75G	LINK
10	79103199	2	75D	SPACER
11	16102621	2	10D	NUT, M20
12	79045384	2	330C	BOOT
13	-----	2	40V	CAPSCREW, M8 X 20
14	-----	1	300S	SUPPORT
15	-----	1	300S	SUPPORT ASSY.
			600L	INCL. ITEMS 2-14
16	79102775	1	132B	ARM, SWINGING
17	79105987	1	23P	BLADE

USAGE: SECOND TYPE

FR11	CAB WIPERS	F505	2C
------	------------	------	----

ADDED OCTOBER 1990



ITEM	PART NO.	QTY.	CODE	DESCRIPTION	DENOMINAZIONE
1	79046314	1	114S	RESERVOIR	SERBATOIO
2	79047343	1	80M	BRACKET	MENSOLA
3	79046316	1	105P	PLATE	PIASTRA
4	79021522	1	20R	FITTING	RACCORDO
5	79046317	1	20R	FITTING	RACCORDO
6	79020844	1	10V	VALVE	VALVOLA
7	79046318	1	148P	NOZZLE	POLVERIZZATORE
8	79020845	1	236P	BUTTON, PUSH	PULSANTE
9	79046367	2	192T	HOSE	TUBO FLESSIBILE
10	79047344	1	192T	HOSE	TUBO FLESSIBILE
11	79047345	1	192T	HOSE	TUBO FLESSIBILE
12	79046319	1	105F	CABLE	FUNE
13	79013422	6	120M	CLAMP	MORSETTO COLLARE
14	10902031	2	40V	CAPSCREW	VITE
15	10571579	2	132R	LOCKWASHER	ROSETTA DI SICUREZZA
16	10519401	2	131R	WASHER	ROSETTA
17	11112431	2	40V	CAPSCREW	VITE
18	10719321	2	10D	NUT	DADO
19	10571979	2	132R	LOCKWASHER	ROSETTA DI SICUREZZA
20	12646921	4	131R	WASHER	ROSETTA

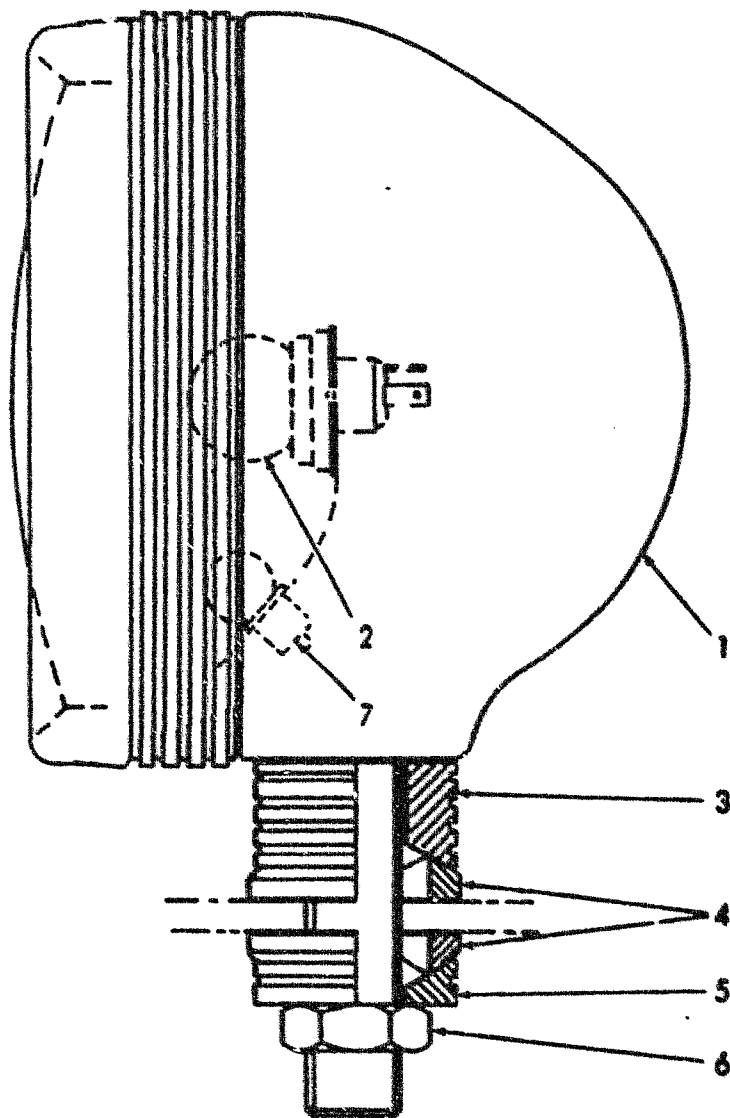
FR11

WINDSHIELD WASHER
LAVACRISTALLO
LAVE-GLACE
SCHEIBENWASCHER
LAVADOR DEL PARABRISAS

F505

3

F629(1)



7-85323

ITEM	PART NO.	QTY.	CODE	DESCRIPTION	DENOMINAZIONE
1	79073820	1	116G	LIGHT ASSY.	GRUPPO OTTICO
			600L	INCLUDES ITEM(S)2	INCLUDE PARTIC.(1)
2	79051020	1	30L	BULB(24V-55/50W)	LAMPADA
3	79073822	1	75D	SPACER	DISTANZIALE
4	79073823	2	74B	BLOCK	BLOCCHETTO
5	79073824	1	131R	WASHER	ROSETTA
6	79073825	1	10D	NUT	DADO
7	79051015	1	30L	BULB(24V-4W)	LAMPADA

USAGE: Units prior to 530343

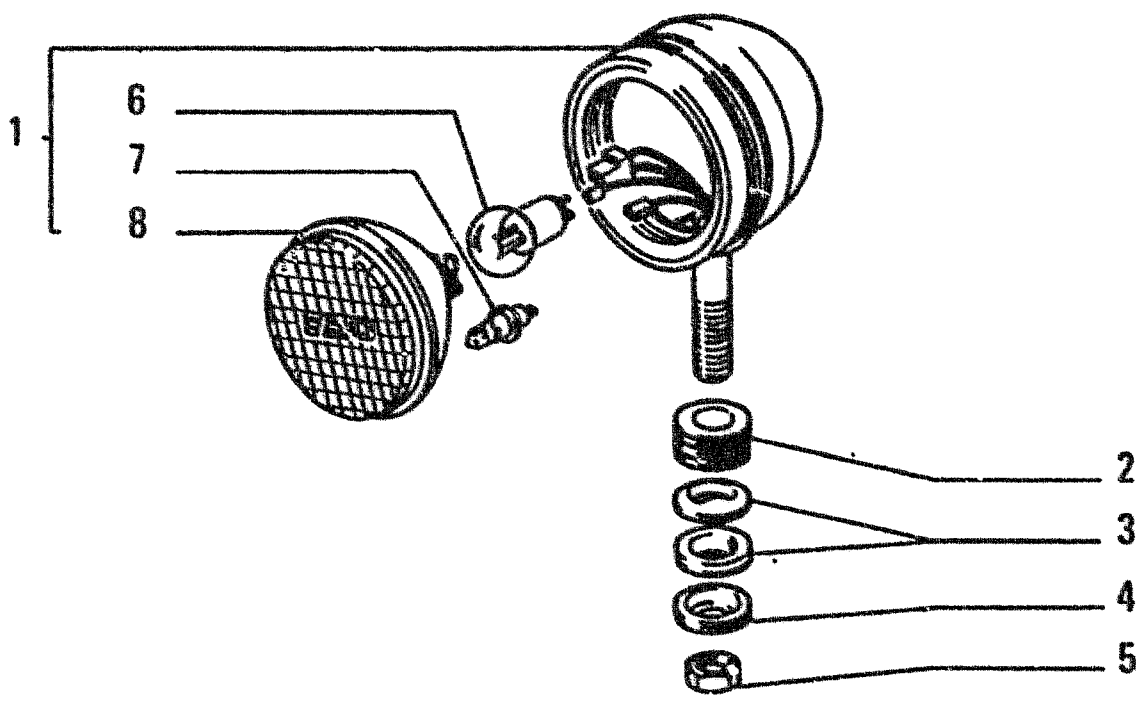
FR11

HEAD LIGHT
LUCI
PHARES
SCHEINWERFER
FAROS DELANTEROS

F629

1

REVISED OCTOBER 1990



ITEM	PART NO.	QTY.	LEX.	DESCRIPTION
1	79097903	1	116G	FLOODLIGHT - RIGHT ASSEMBLY
	79097906	1	116G	FLOODLIGHT - LEFT ASSEMBLY
2	79073822	1	75D	SPACER
3	79073823	2	74B	BLOCK
4	79073824	1	191R	WASHER
5	79073825	1	10D	NUT
6	79051020	1	30L	LAMP
7	79051015	1	30L	LAMP
8	79080110	1	28P	REFLECTOR

USAGE: UNIT NO. 530343 AND UP

FR11

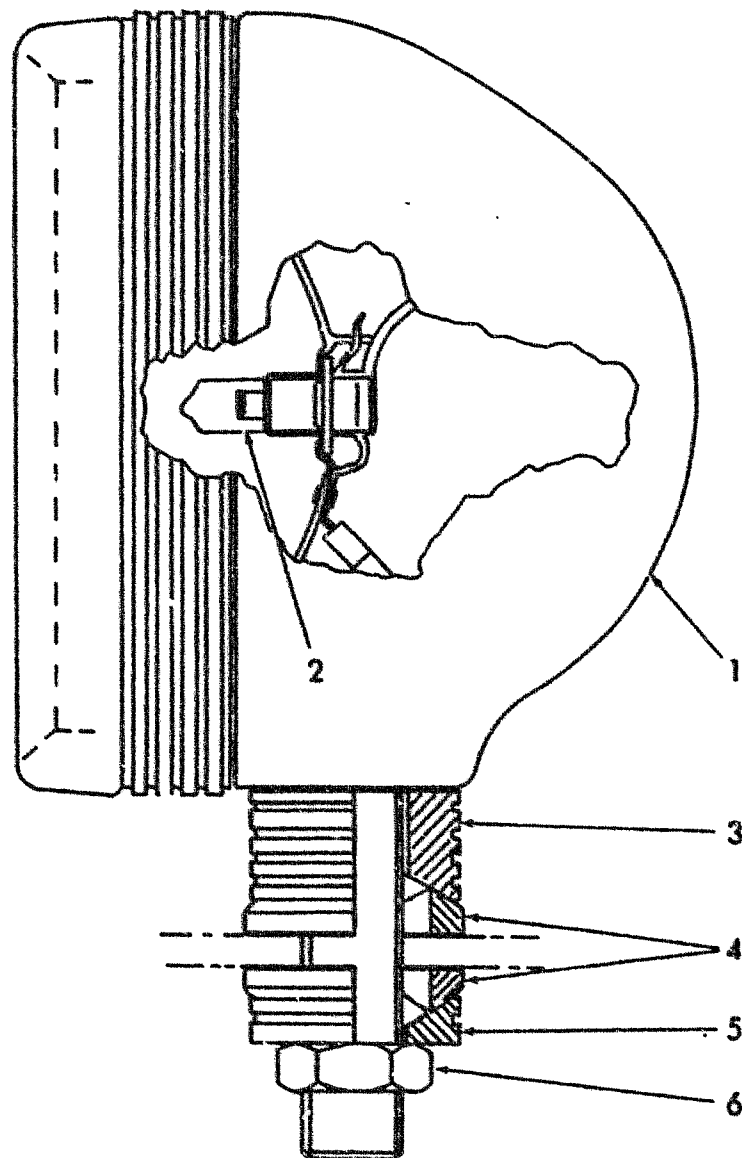
HEADLAMP

F629

1B

ADDED OCTOBER 1990

F629(2)

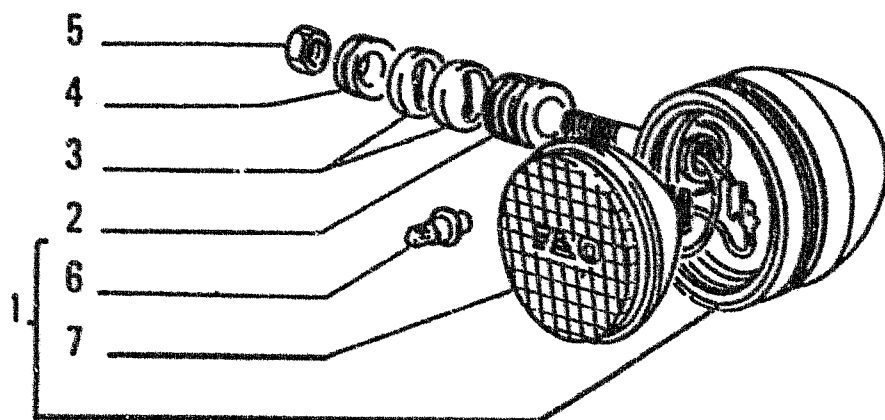


ITEM	PART NO.	QTY.	CODE	DESCRIPTION	DENOMINAZIONE
1	79073818	1	116G	LIGHT ASSY. 600L INCLUDES ITEM(S)2	GRUPPO OTTICO INCLUDE PARTIC.(1)
2	79069460	1	30L	BULB	LAMPADA
3	79073822	1	75D	SPACER	DISTANZIALE
4	79073823	2	74B	BLOCK	BLOCCETTO
5	79073824	1	131R	WASHER	ROSETTA
6	79073825	1	10D	NUT	DADO

T-85325

USAGE; Units prior to 530343

FR11	FLOOD LIGHT PROIETTORE PROJECTEURS FLUTLICHT REFLECTORES	F629	2
		REVISED OCTOBER 1990	



ITEM	PART NO.	QTY.	LEX.	DESCRIPTION
1	79093992	1	116G	FLOODLIGHT - ASSEMBLY RIGHT
	79097887	1	116G	FLOODLIGHT - ASSEMBLY LEFT
2	79073822	1	75D	SPACER
3	79073823	2	74B	BLOCK
4	79073824	1	131P	WASHER
5	79073825	1	10D	NUT
6	79069460	1	30L	LAMP
7	79080111	1	28P	REFLECTOR

USAGE: UNIT S/N 530343 AND UP

FR11

HEADLAMP

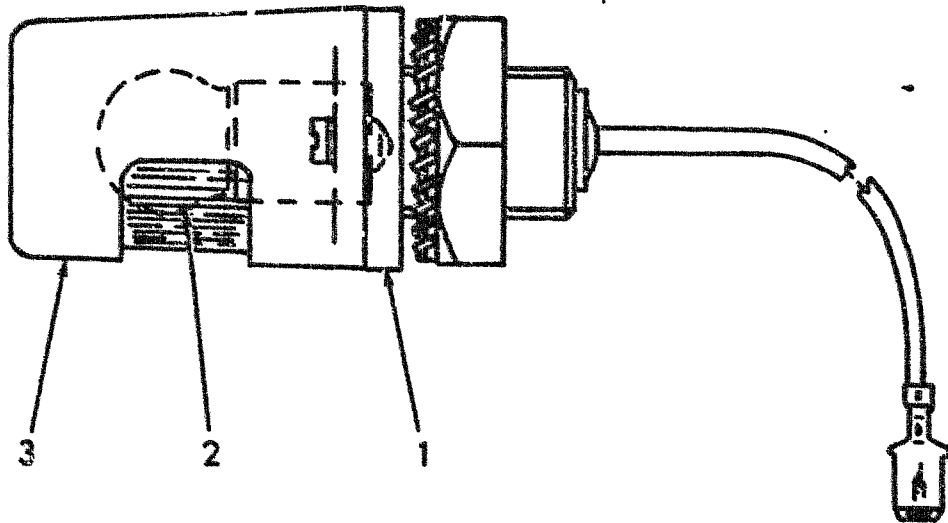
F629

2B

ADDED OCTOBER 1990

F629(J)

ITEM	PART NO.	QTY.	CODE	DESCRIPTION	DENOMINAZIONE
-	79057458	1	116G	LIGHT ASSY.	GRUPPO OTTICO
			600L	INCLUDES ITEM(S)1-3	INCLUDE PARTIC.(1)
1	-----	1	21B	BASE	BASE
			601C	NOT SERVICED	NON FORNITO DI RICAMB.
2	79051016	1	30L	BULB(24V)	LAMPADA
3	-----	1	224P	SHIELD	PROTEZIONE
			601C	NOT SERVICED	NON FORNITO DI RICAMB.



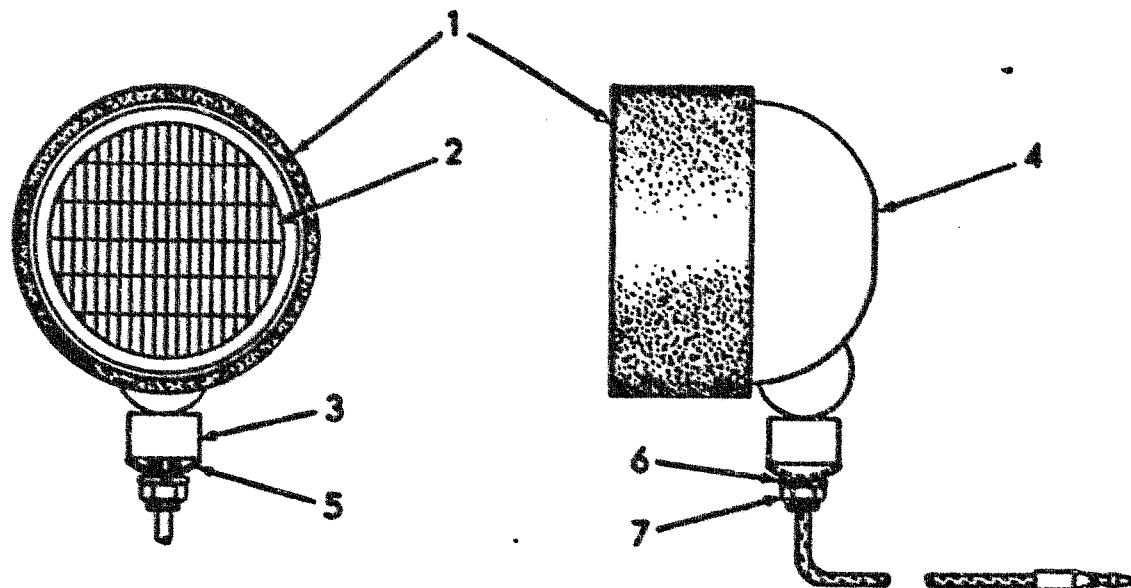
7-85325

FR11

LIGHTING, DASH
 LUCI STRUMENTI
 ECLAIRAGE DU TABLEAU DE BORD
 ARMATURENBRETTLEUCHTEN
 ALUMBRADO DEL TABLERO

F629

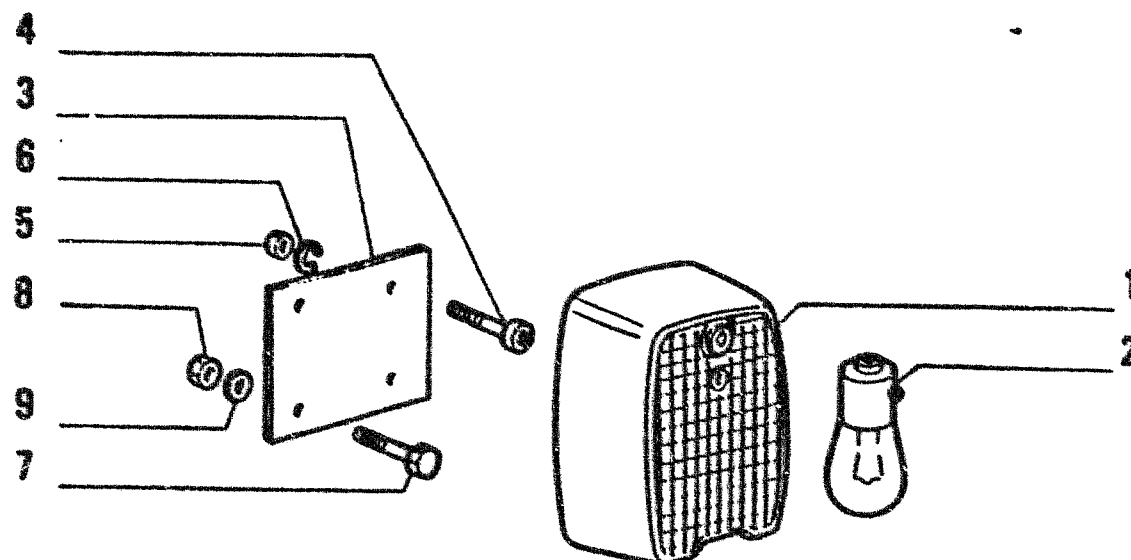
4



T-84172

ITEM	PART NO.	QTY.	CODE	DESCRIPTION	DENOMINAZIONE
-	73136863	1	116G	LIGHT ASSY.	GRUPPO OTTICO
			600L	INCLUDES ITEM(S)1-7	INCLUDE PARTIC.(1)
1	73137620	1	61S	RETAINER	SCODELLINO DI RITEGNO
2	73061207	1	9F	LAMP	FANALE
3	71006992	1	95B	BUSHING	GOCCOLA
4	-----	1	5V	SHELL	VALVA
			601C	NOT SERVICED	NON FORNITO DI RICAMB.
5	73061210	1	131R	WASHER	ROSETTA
6	70917379	1	132	LOCKWASHER	ROSETTA DI SICUREZZA
7	70919262	1	10D	NUT	DADO

FR11	FLOOD LIGHT PROETTORE PROJECTEURS FLUTLICHT REFLECTORES	F629	8



ITEM	PART NO.	QTY.	CODE	DESCRIPTION	DENOMINAZIONE
1	79069588	1	9F	LAMP	FANALE
			600P	LEFT	SINISTRO
	79069589	1	9F	LAMP	FANALE
			600P	RIGHT	DESTRO
2	79051018	1	30L	BULB	LAMPADA
3	a76011932	2	105P	PLATE	PIASTRA
4	13274417	4	40Y	CAPSCREW	VITE
5	10718021	4	10C	NUT	DADO
6	10571471	4	132P	LOCKWASHER	ROSETTA DI SICUREZZA
7	a16043231	4	40Y	CAPSCREW, 8 X 1.25 X 16	VITE
8	a16100821	4	10C	NUT	DADO
9	a10571771	4	132P	LOCKWASHER	ROSETTA DI SICUREZZA

a. EARLY UNITS.

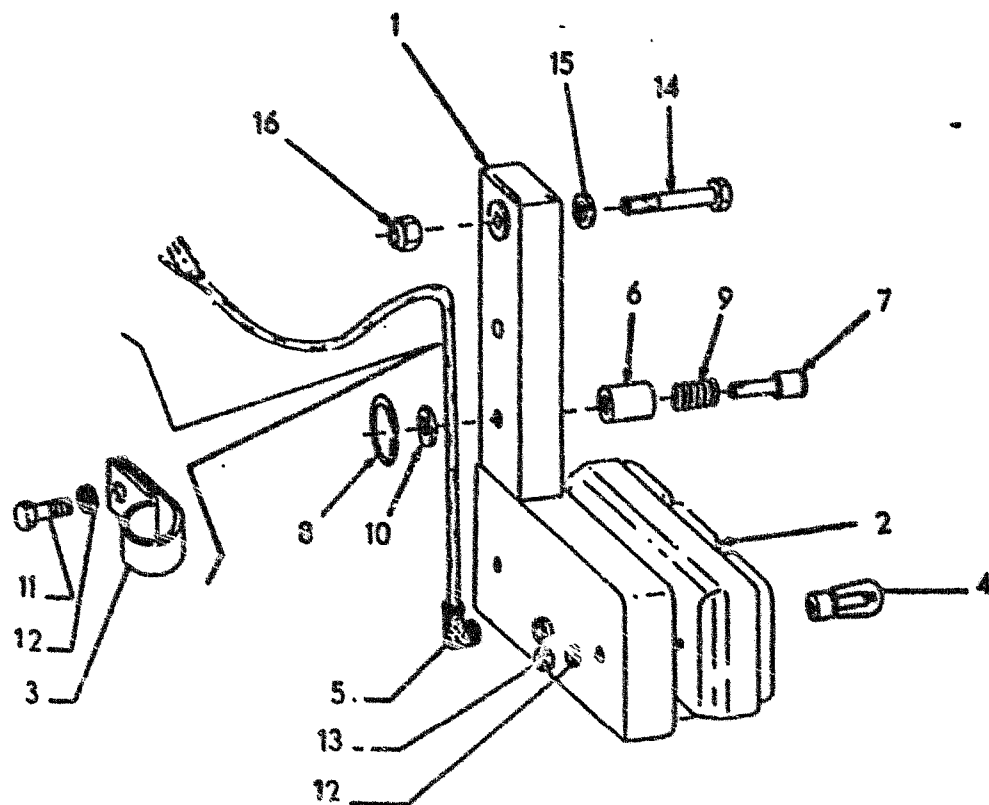
FR11

LIGHTING, TURN SIGNAL
 LUCI DIREZIONE
 SIGNALISATION DE DIRECTION
 BLINKLEUCHTEN
 INDICADORES DE DIRECCION

F629/1

3

Revised August 1988



ITEM	PART NO.	QTY.	CODE	DESCRIPTION	DENOMINAZIONE
-	76011805	1	116G	LIGHT ASSY.	GRUPPO OTTICO
			600B	RIGHT	DESTRO
-	76011806	1	116G	LIGHT ASSY.	GRUPPO OTTICO
			600A	LEFT	SINISTRO
			600L	INCLUDES ITEM(S)11-16	INCLUDE PARTIC.(1)
1	76011807	1	300S	SUPPORT	SUPPORTO
			600B	RIGHT	DESTRO
	76011808	1	300S	SUPPORT	SUPPORTO
			600A	LEFT	SINISTRO
2	79070021	1	116G	LIGHT ASSY.	GRUPPO OTTICO
			600B	RIGHT	DESTRO
	79070019	1	116G	LIGHT ASSY.	GRUPPO OTTICO
			600A	LEFT	SINISTRO
3	10441390	2	89G	CLIP	GRAFFETTA
4	79051018	2	9F	LAMP	FANALE
	79051019	2	9F	LAMP	FANALE
5	79070320	2	65C	BOOT, INSULATING	CAPPUCCIO ISOLANTE
6	70738618	2	95B	BUSHING	BOCCOLA
7	70738619	2	60P	PIN	PERNO
8	70738621	2	56A	RING, RETAINING	ANELLO DI RITEGNO
9	70738622	2	100M	SPRING	MOLLA
10	12644921	2	131R	WASHER	ROSETTA
11	10979431	2	40V	CAPSCREW, 6 X 1 X 10	VITE
12	10516471	6	132R	LOCKWASHER	ROSETTA DI SICUREZZA
13	15896221	2	100	NUT	DADO
14	70921568	2	40V	CAPSCREW	VITE
15	70930850	2	131R	WASHER	ROSETTA
16	70923352	2	100	NUT	DADO

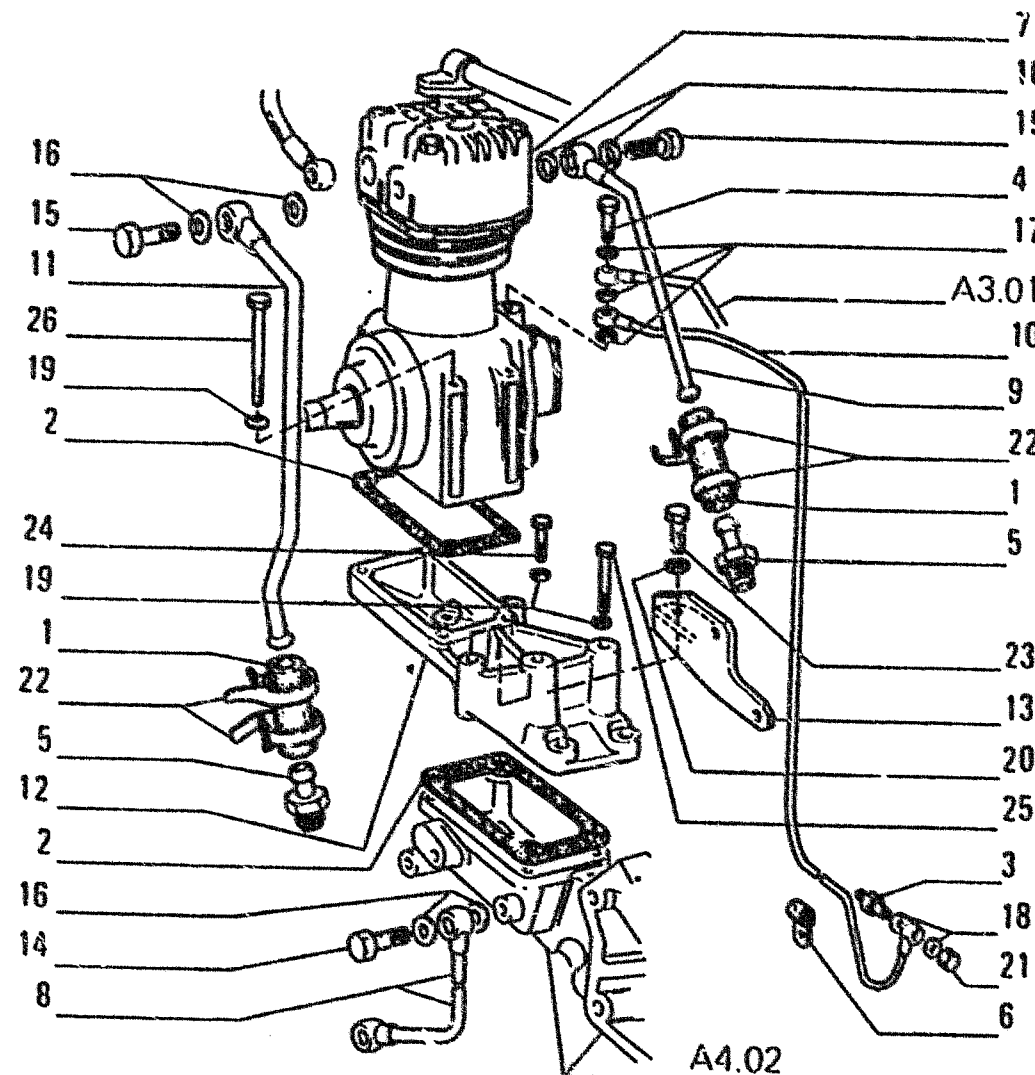
FR1:

LIGHT, TAIL
LUCI POSTERIORI
ECLAIRAGE ARRIERE
SCHLUSSLEUCHTEN
FUEGOS TRASEROS

F629/1

5

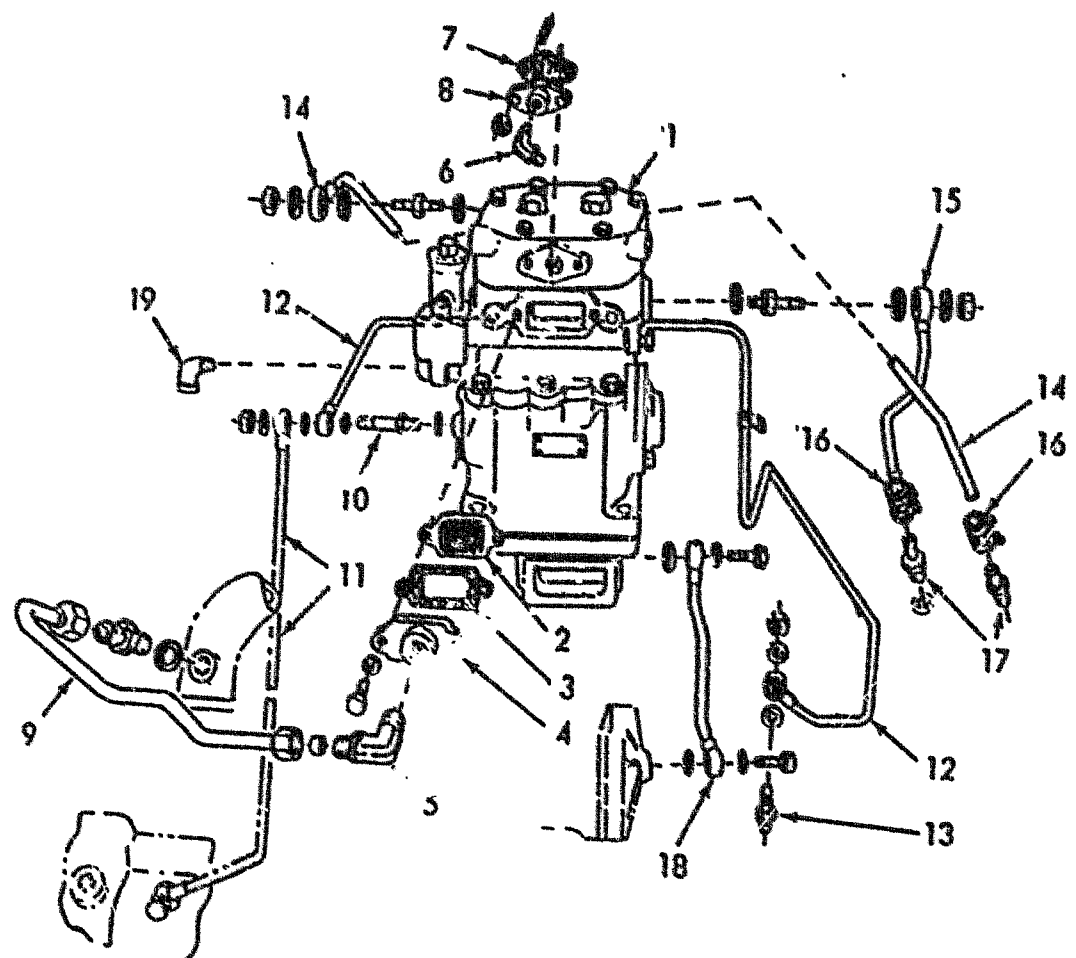
G101(1)



ITEM	PART NO.	QTY.	CODE	DESCRIPTION	DENOMINAZIONE
1	04579906	2	59C	SLEEVE	CANNOTTO
2	04601834	2	133R	SEAL	GUARNIZIONE TENUTA
3	04607792	1	50T	PLUG	TAPPO
4	04608490	1	50T	PLUG	TAPPO
5	04615630	2	20R	FITTING	RACCORDO
6	04617069	2	89G	CLIP	GRAFFETTA
7	04657229	1	216C	COMPRESSOR, AIR(G101/1)	COMPRESSORE
8	04754978	1	206T	TUBE	TUBO
9	04764896	1	206T	TUBE	TUBO
10	04764899	1	206T	TUBE	TUBO
11	04764901	1	206T	TUBE	TUBO
12	04764903	1	300S	SUPPORT	SUPPORTO
13	04794963	1	80M	BRACKET	MENSOLA
14	10184411	2	50T	PLUG	TAPPO
15	10184417	2	50T	PLUG	TAPPO
16	10257060	8	133R	SEAL	GUARNIZIONE TENUTA
17	10260160	3	133R	SEAL	GUARNIZIONE TENUTA
18	10298360	2	133R	SEAL	GUARNIZIONE TENUTA
19	11193871	8	132R	LOCKWASHER	ROSETTA DI SICUREZZA
20	11190521	1	132R	LOCKWASHER	ROSETTA DI SICUREZZA
21	11902111	1	50T	PLUG	TAPPO
22	12179990	4	180C	COLLAR	COLLARE
23	15970721	1	40V	CAPSCREW, 10 X 1.25 X 25	VITE
24	16043921	2	40V	CAPSCREW, 8 X 1.25 X 35	VITE
25	16044121	2	40V	CAPSCREW, 8 X 1.25 X 45	VITE
26	16045021	4	40V	CAPSCREW, 8 X 1.25 X 90	VITE

USAGE: UNITS EQUIPPED WITH MORELLI AIR COMPRESSOR

FR11	AIR COMPRESSOR & LINES COMPRESSORE ARIA E TUBAZIONI COMPRESSEUR D'AIR ET CONDUITES LUFTKOMPRESSOR UND LEITUNGEN COMPRESOR DE AIRE Y TUBERIA	G101	1
		REVISED OCTOBER 1990	



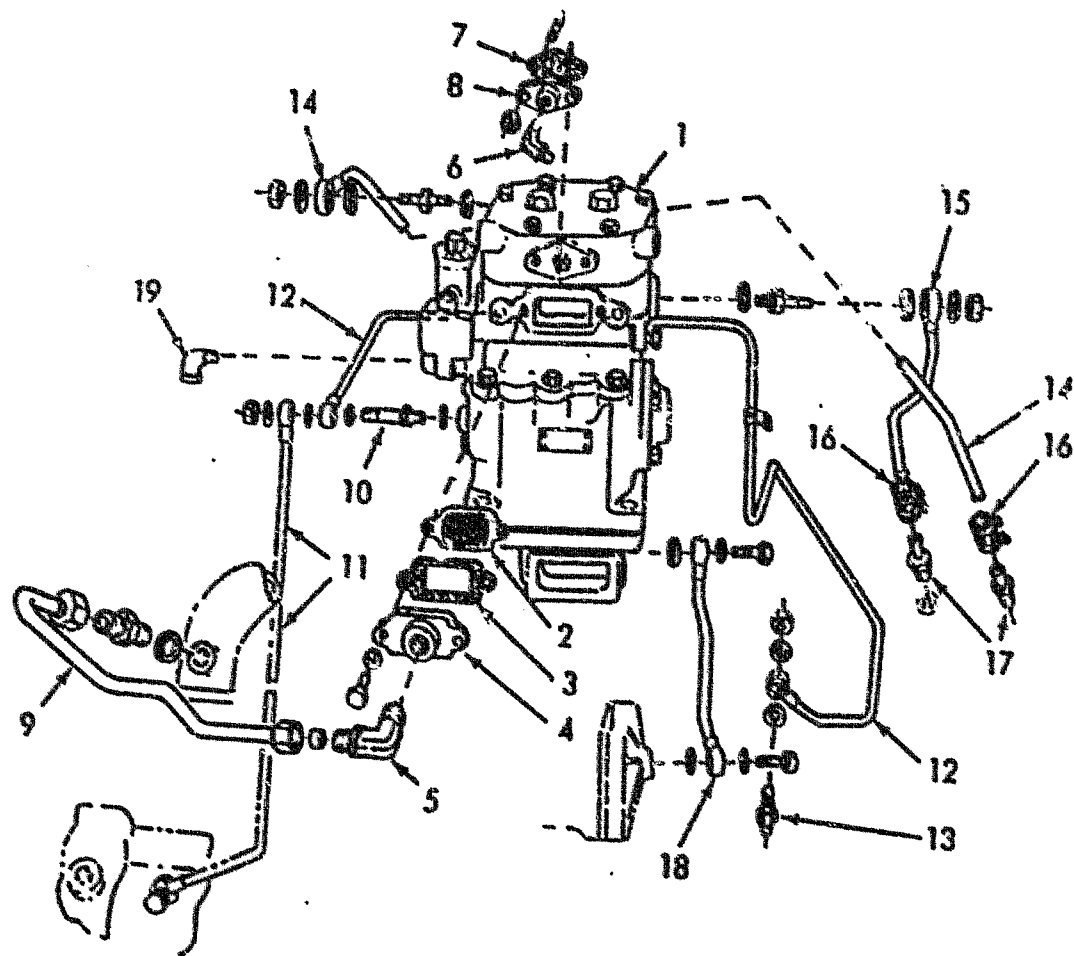
ITEM	PART NO.	QTY.	CODE	DESCRIPTION	DENOMINAZIONE
1	-----	1	216C	COMPRESSOR(G101(3))	COMPRESSORE D'ARIA
	70915399	1	85G	ELBOW, 1/8"NPT	GOMITO
2	74056066	1	105P	PLATE	PIASTRA
3	74040341	1	123G	GASKET	GUARNIZIONE DI TENUTA
4	74393667	1	105P	PLATE	PIASTRA
	70929662	2	131R	WASHER	ROSETTA
	70922925	2	40V	CAPSCREW	VITE
5	70919006	1	85G	ELBOW, 3/4"NPT	GOMITO
	74255984	1	30M	SLEEVE, FLEXIBLE	MANICOTTO FLESSIBILE
	70918978	1	10D	NUT	DADO
6	70917370	1	85G	ELBOW, 3/8"NPT	GOMITO
7	74040302	1	123G	GASKET	GUARNIZIONE DI TENUTA
8	74041004	1	105P	PLATE	PIASTRA
	74049265	2	210P	STUD	PRIGIONIERO
	70920263	2	10D	NUT, 5/16"NF	DADO
9	73076938	1	206T	TUBE	TUBO
	10263460	1	131R	WASHER	ROSETTA
	73069099	1	20R	FITTING, M22	RACCORDO
10	04751575	1	20R	FITTING	RACCORDO
	10260160	1	131R	WASHER	ROSETTA
11	-----	1	206T	TUBE (A224(1))	TUBO
12	04751571	1	206T	TUBE	TUBO
	04617069	1	89G	CLIP	GRAFFETTA
	10260160	4	131R	WASHER	ROSETTA
	11902111	2	20C	CAP	CALOTTA
13	0137253	1	20R	FITTING	RACCORDO
14	76017887	1	206T	TUBE	TUBO
	04755443	1	20R	FITTING	RACCORDO
	10257060	2	131R	WASHER	ROSETTA
	10183317	1	20C	CAP	CALOTTA
15	76017885	1	206T	TUBE	TUBO
	04755443	1	20R	FITTING	RACCORDO
	10257060	2	131R	WASHER	ROSETTA
	10183317	1	20C	CAP	CALOTTA
16	04579906	2	30M	SLEEVE, FLEXIBLE	MANICOTTO FLESSIBILE
	12179990	4	120M	CLAMP	MORSETTO COLLARE
17	04616630	2	20R	FITTING	RACCORDO

T-81414

USAGE: UNITS EQUIPPED WITH BENDIX AIR COMPRESSOR

FR11	AIR COMPRESSOR & LINES COMPRESSORE ARIA E TUBAZIONI COMPRESSEUR D'AIR ET CONDUITES LUFTKOMPRESSOR UND LEITUNGEN COMPRESOR DE AIRE Y TUBERIA	G101	1A
		REVISED OCTOBER 1990	

G101(1A) 2/2



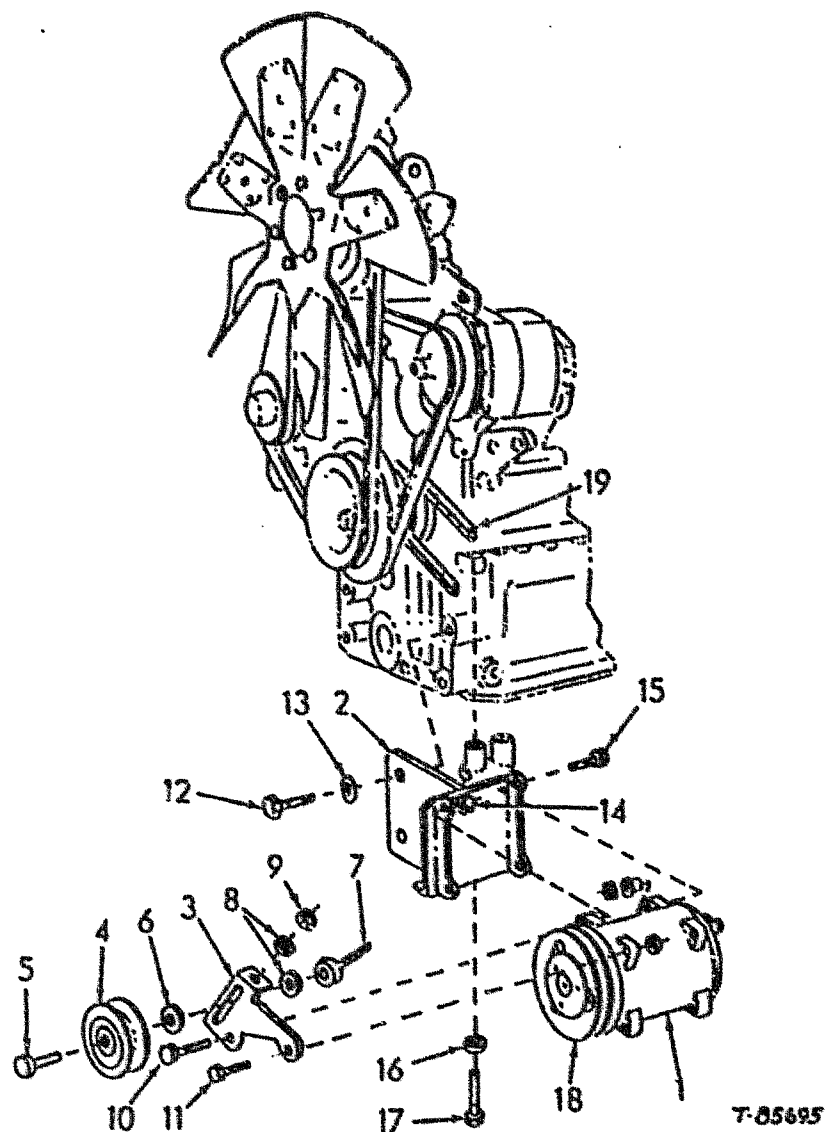
T-81414

ITEM	PART NO.	QTY.	CODE	DESCRIPTION
18	76017889	1	206T	TUBE
	10184411	2	20R	FITTING
	10257060	4	131R	WASHER
19	70917013	1	85G	ELBOW

DENOMINAZIONE
TUBO
RACCORDO
ROSETTA
GOMITO

USAGE: UNITS EQUIPPED WITH BENDIX AIR COMPRESSOR

FR11	AIR COMPRESSOR & LINES COMPRESSORE ARIA E TUBAZIONI COMPRESSEUR D'AIR ET CONDUITES LUFTKOMPRESSOR UND LEITUNGEN COMPRESOR DE AIRE Y TUBERIA	G101	1A
		REVISED OC	1R 1990

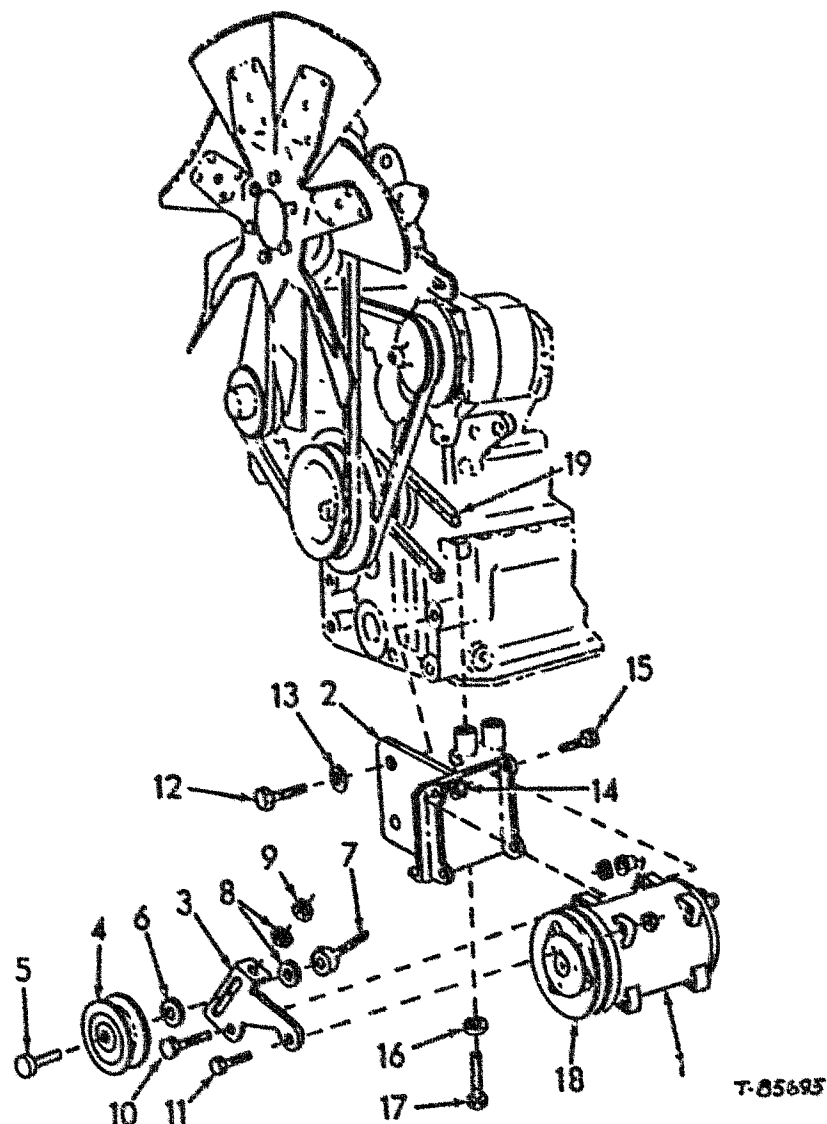


ITEM	PART NO.	QTY.	CODE	DESCRIPTION	DENOMINAZIONE
1	73152348	1	216C	COMPRESSOR 600L INCLUDES ITEM 18	COMPRESSORE INCLUDE PARTIC.(11)
2	73152349	1	300S	SUPPORT	SUPPORTO
3	73152350	1	80H	BRACKET	MENSOLA
4	73152351	1	230P	PULLEY	PULEGGIA
5	73152352	1	80P	PIN	PERNO
6	73152353	1	75D	SPACER	DISTANZIALE
7	73152354	1	90A	ROD	ASTA
8	73152355	2	75D	SPACER	DISTANZIALE
9	16102311	1	100	NUT, M8	DADO
10	15970921	1	40V	CAPSCREW, M10 X 35	VITE
11	11306921	1	40V	CAPSCREW, M10 X 30	VITE
12	11391521	1	40V	CAPSCREW, M16 X 45	VITE
13	73152356	1	75D	SPACER	DISTANZIALE
14	12574511	3	10D	NUT, M10	DADO
15	15971321	2	40V	CAPSCREW, M10 X 75	VITE
16	14496601	2	131R	WASHER	ROSETTA
17	11343821	2	40V	CAPSCREW, M10 X 50	VITE
18	73152357	1	95F	CLUTCH	FRIZIONE
19	73152358	1	173C	BELT	CINGHIA

USAGE: FIRST TYPE

FR11	COMPRESSOR MOUNTING(FREON) COMPRESSORE FISSAGGIO SUPPORT DU COMPRESSEUR KOMPRESSOREINBAU SOPORTTE DEL COMPRESOR	G101	2
		REVISED OCTOBER 1990	

G101(2A)

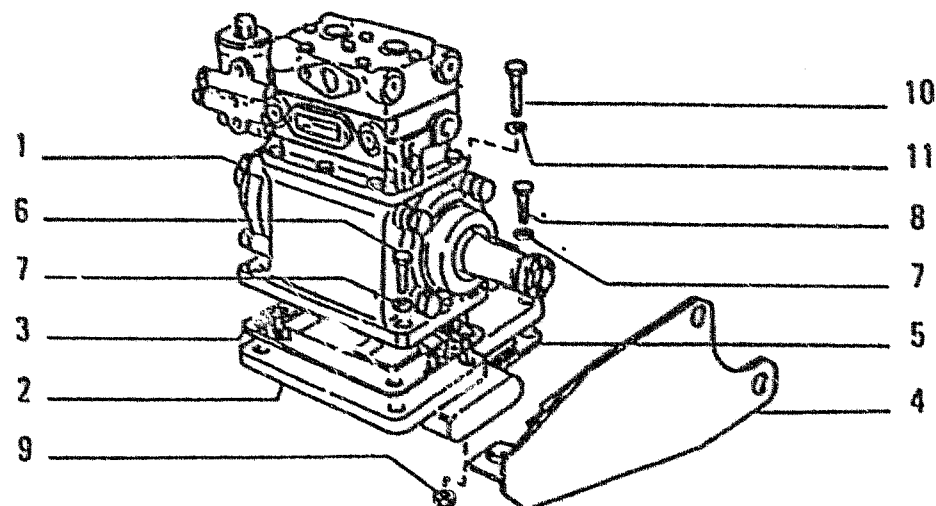


ITEM	PART NO.	QTY.	CODE	DESCRIPTION	DENOMINAZIONE
1	79091949	1	216C	COMPRESSOR	COMPRESSORE
			600L	INCLUDES ITEM 18	INCLUDE PARTIC.(1)
2	79091950	1	300S	SUPPORT	SUPPORTO
3	79091951	1	80M	BRACKET	MENSOLA
4	79091952	1	230P	PULLEY	PULEGGIA
5	79091953	1	80P	PIN	PERNO
6	79091954	1	75D	SPACER	DISTANZIALE
7	79091955	1	90A	ROD	ASTA
8	79091956	2	75D	SPACER	DISTANZIALE
9	16104121	1	100	NUT, M8	DADO
10	11106634	1	40V	CAPSCREW, M10 X 35	VITE
11	11106434	1	40V	CAPSCREW, M10 X 30	VITE
12	11391534	1	40V	CAPSCREW, M16 X 45	VITE
13	79091960	1	75D	SPACER	DISTANZIALE
14	12577221	3	100	NUT, M10	DADO
15	11107734	2	40V	CAPSCREW, M10 X 75	VITE
16	12626231	2	131R	WASHER	ROSETTA
17	11343834	2	40V	CAPSCREW, M10 X 50	VITE
18	79091964	1	95F	CLUTCH	FRIZIONE
19	79091965	1	173C	BELT	CINGHIA

USAGE: SECOND TYPE

FR11	COMPRESSOR MOUNTING(FREON) COMPRESSORE FISSAGGIO SUPPORT DU COMPRESSEUR KOMPRESSOREINBAU SOPORTE DEL COMPRESOR	G101		2A
		ADDED OCTOBER 1990		

G101(3)

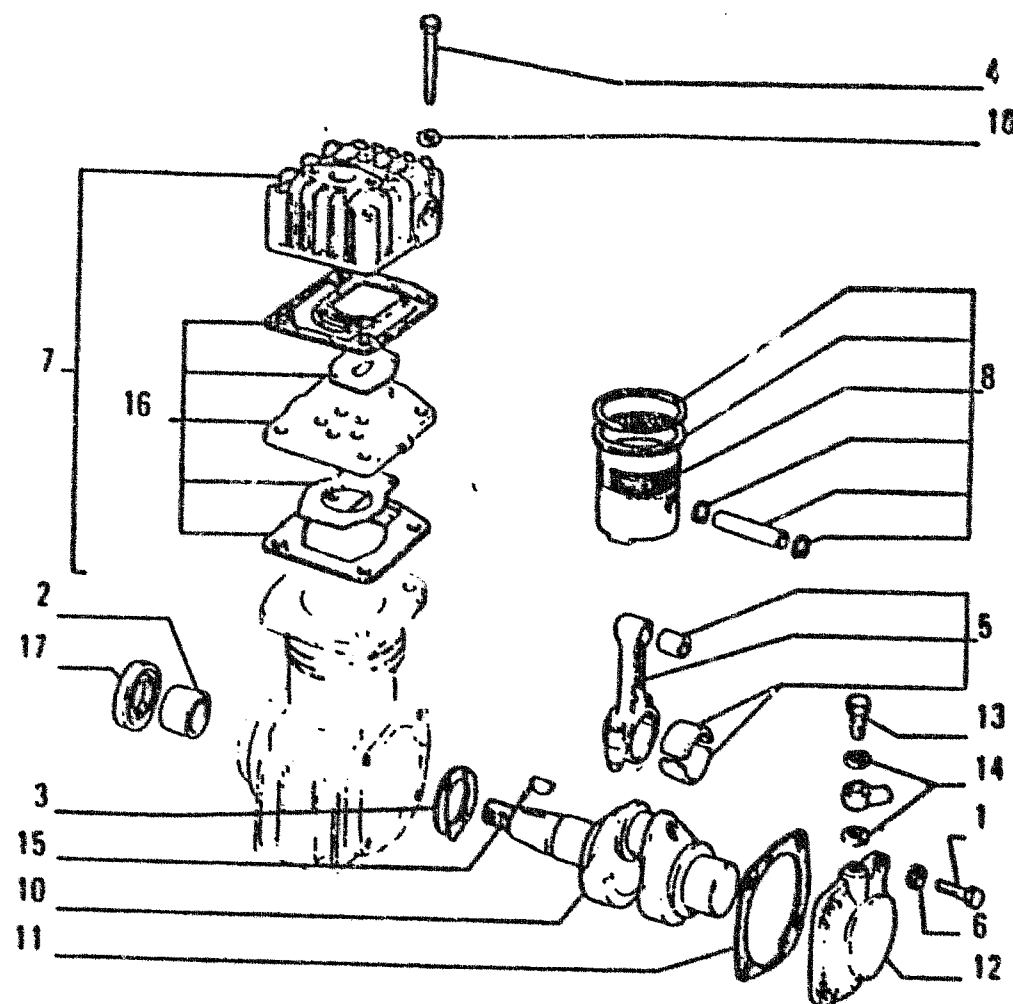


ITEM	PART NO.	QTY.	CODE	DESCRIPTION	DENOMINAZIONE
1	04727101	1	216C	COMPRESSOR, AIR (G101/2)	COMPRESSORE
2	04727102	1	306S	SUPPORT	SUPPORTO
3	04727103	1	133R	SEAL	GUARNIZIONE TENUTA
4	04770616	1	80M	BRACKET	MENSOLA
5	04601884	1	133R	SEAL	GUARNIZIONE TENUTA
6	15970921	3	40V	CAPSCREW, 10X1.25X35	VITE
7	11198371	4	132R	LOCKWASHER	ROSETTA DI SICUREZZA
8	15888821	1	40V	CAPSCREW, 10X1.25X70	VITE
9	12164711	1	10D	NUT, 10X1.25	DADO
10	16044121	4	40V	CAPSCREW, 8X1.25X45	VITE
11	11193871	4	132R	LOCKWASHER	ROSETTA DI SICUREZZA

USAGE: UNITS EQUIPPED WITH BENDIX AIR COMPRESSOR

FR11	AIR COMPRESSOR MOUNTING COMPRESSORE ARIA-FISSAGGIO SUPPORT DU COMPRESSEUR D'AIR LUFTKOMPRESSOREINBAU SOPORTE DEL COMPRESOR DE AIRE	G101	3
		ADDED OCTOBER 1990	

G101/1



ITEM	PART NO.	QTY.	CODE	DESCRIPTION	DENOMINAZIONE
-	04657229	1	216C	COMPRESSOR	COMPRESSORE
			600L	INCLUDES ITEM(S)1-18	INCLUDE PARTIC.(1)
1	09915125	4	40V	CAPSCREW	VITE
2	09918511	1	95B	BUSHING	BOCCOLA
3	09918513	1	45A	RING	ANELLO
4	16044521	4	40V	CAPSCREW, Ø X 1.25 X 65	VITE
5	79022168	1	51B	ROD, CONNECTING	BIELLA STANTUFFO
6	79022440	4	131R	WASHER	ROSETTA
7	79034422	1	113T	HEAD, CYLINDER	TESTA DEI CILINDRI
8	79034423	1	235S	PISTON	STANTUFFO
	79034424	1	235S	PISTON	STANTUFFO
10	79034428	1	18A	CRANKSHAFT	ALBERO MOTORE
11	79034429	1	133R	SEAL	GUARNIZIONE TENUTA
12	79034430	1	265C	COVER	COPERCHIO
13	79034431	1	50T	PLUG	TAPPO
14	79034437	2	133R	SEAL	GUARNIZIONE TENUTA
15	79035553	1	60L	KEY	LINGUETTA
16	79035735	1	129S	KIT	SERIE
17	79043163	1	133R	SEAL	GUARNIZIONE TENUTA
18	79043164	4	131R	WASHER	ROSETTA

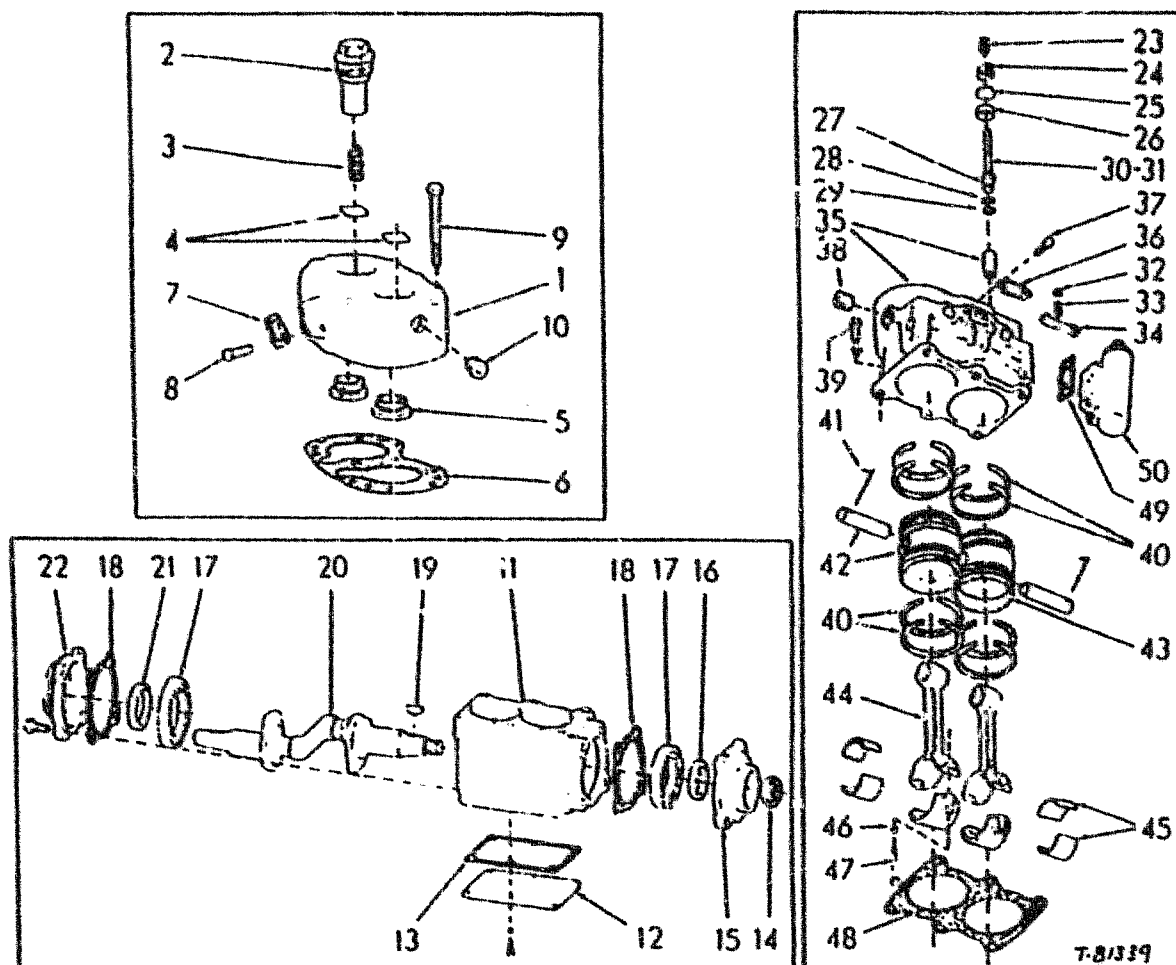
USAGE: UNITS EQUIPPED WITH MORELLI AIR COMPRESSOR

FR11

AIR COMPRESSOR ASSEMBLY
 COMPRESSORE ARIA-COMPLESSIVO
 COMPRESSEUR D'AIR
 LUFTKOMPRESSOR
 COMPRESOR DE AIRE

G101/1

REVISED OCTOBER 1990



ITEM	PART NO.	QTY.	CODE	DESCRIPTION	DENOMINAZIONE
-	04727101	1	216C	COMPRESSOR, AIR	COMPRESSORE D'ARIA
			600L	INCLUDES ITEM(S)11-50	INCLUDE PARTIC.(11)
1	79030489	1	113T	HEAD, CYLINDER	TESTA DEI CILINDRI
			600L	INCLUDES ITEM(S)2-5	INCLUDE PARTIC.(11)
2	74040523	2	20C	CAP	CALOTTA
3	a-----	2	100H	SPRING	MOLLA
4	a-----	2	10V	VALVE	VALVOLA
5	74049256	2	74S	SEAT, VALVE	SEDE DELLA VALVOLA
6	a-----	1	123G	GASKET	GUARNIZIONE DI TENUTA
7	a-----	1	123G	GASKET	GUARNIZIONE DI TENUTA
8	79027619	2	40V	CAPSCREW	VITE
	79032042	2	131R	WASHER	ROSETTA
9	74053197	8	40V	CAPSCREW	VITE
10	70918887	7	50T	PLUG	TAPPO
11	-----	1	20B	CRANKCASE	BASAMENTO MOTORE
			601C	NOT SERVICED	NON FORNITO DI RICAMB.
12	-----	1	261C	COVER, SMALL	COPERCHIETTO
			89G	CLIP	GRAFFETTA
13	79027613	1	123G	GASKET	GUARNIZIONE DI TENUTA
14	74040549	1	10D	NUT	DADO
15	74040515	1	265C	COVER	COPERCHIO
			600G	FRONT	ANTERIORE
	79027697	4	40V	CAPSCREW	VITE
16	74058886	1	133R	SEAL	GUARNIZIONE TENUTA
			600G	FRONT	ANTERIORE
17	74049259	2	340C	BEARING	CUSCINETTO
18	a 74062361	2	123G	GASKET	GUARNIZIONE DI TENUTA
19	70910545	1	60L	KEY	LINGUETTA
20	74056128	1	18A	CRANKSHAFT	ALBERO MOTORE
21	74040299	1	133R	SEAL	GUARNIZIONE TENUTA
			600E	INNER	INTERNO
22	79030510	1	265C	COVER	COPERCHIO
			600H	REAR	POSTERIORE
	79027697	4	40V	CAPSCREW	VITE
23	a-----	2	100H	SPRING	MOLLA
24	a-----	2	145G	GUIDE	GUIDA
25	a-----	2	10V	VALVE	VALVOLA

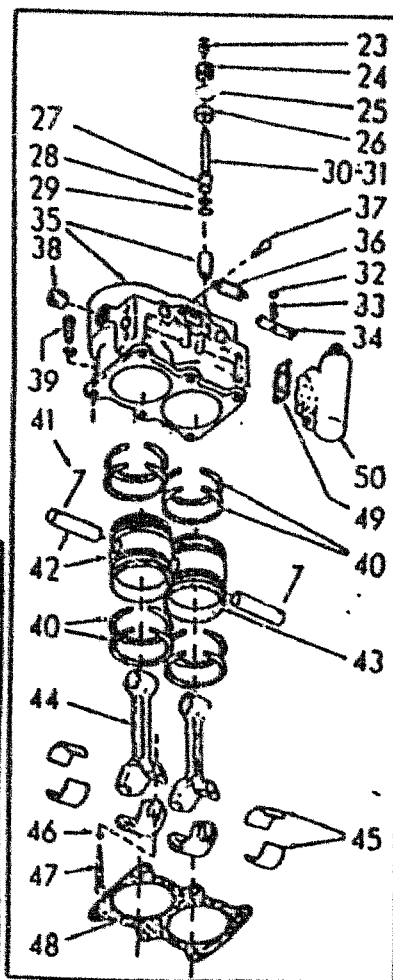
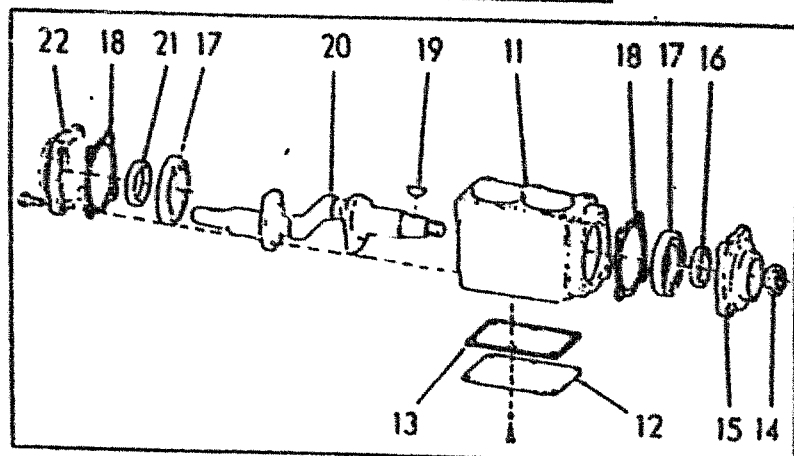
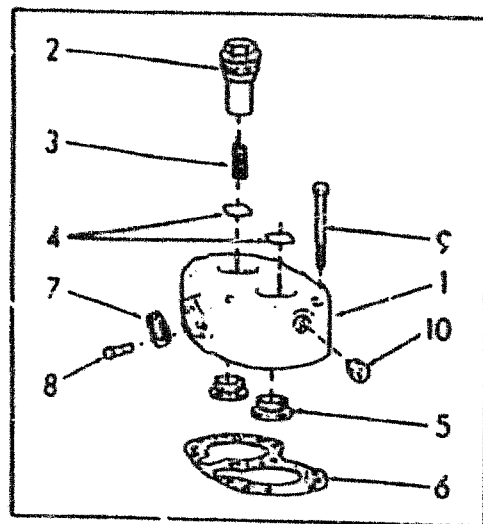
USAGE: UNITS EQUIPPED WITH BENDIX AIR COMPRESSOR

FR11

AIR COMPRESSOR ASSEMBLY
 COMPRESSORE ARIA-COMPLESSIVO
 COMPRESSEUR D'AIR
 LUFTKOMPRESSOR
 COMPRESOR DE AIRE

G101/2

ADDED OCTOBER 1990



ITEM	PART NO.	QTY.	CODE	DESCRIPTION	DENOMINAZIONE
26	a	2	74S	SEAT	SEDE DELLA VALVOLA
27	79030511	2	235S	PISTON	STANTUFFO
			600L	INCLUDES ITEM(S)28,29	INCLUDE PARTIC.(1)
28	b	2	55A	O-RING	ANELLO DI TENUTA
			600M	ORDER ITEM(S)27	ORDINARE PARTIC.
29	b	2	500J	GROMMET	ANELLO
			600M	ORDER ITEM(S)27	ORDER ITEM(S)27
30	a,b	2	130P	PLUNGER	PISTONCINO
31	a,b	2	145G	GUIDE	GUIDA
32	a,b	1	74S	SEAT, VALVE	SEDE DELLA VALVOLA
33	a,b	1	100M	SPRING	MOLLA
34	a	1	55B	ROCKER	BILANCIERE
35		1	74B	BLOCK	BLOCCETTO
			601C	NOT SERVICED	NON FORNITO DI RICAMB.
		2	95B	BUSHING	BOCCOLA
			601C	NOT SERVICED	NON FORNITO DI RICAMB.
36	a,b	1	123G	GASKET	GUARNIZIONE DI TENUTA
37	79027624	2	40V	CAPSCREW	VITE
	79032042	2	131R	WASHER	ROSETTA
38	70901652	1	50T	PLUG	TAPPO
39	79030491	6	40V	CAPSCREW	VITE
	70910287	6	131R	WASHER	ROSETTA
40	79030512	8	501D	RING SET	ANELLI
	79030513	8	501D	RING SET,+.010	ANELLI
	79030514	8	501D	RING SET,+.020	ANELLI
41	74040340	2	60F	WIRE	FILO
42	79030495	2	235S	PISTON	STANTUFFO
	79030496	2	235S	PISTON,+.010	STANTUFFO
	79030497	2	235S	PISTON,+.020	STANTUFFO
43	79030492	2	250S	PISTON, RINGS AND PIN	STANT. ANELLI PERNO
			600L	INCLUDES ITEM(S)40-42	INCLUDE PARTIC.(1)
	79030493	2	250S	PISTON, RINGS AND PIN	STANT. ANELLI PERNO
				+.010	
			600L	INCLUDES ITEM(S)40-42	INCLUDE PARTIC.(1)
	79030494	2	250S	PISTON, RINGS AND PIN	STANT. ANELLI PERNO
				+.020	
			600L	INCLUDES ITEM(S)40-42	INCLUDE PARTIC.(1)

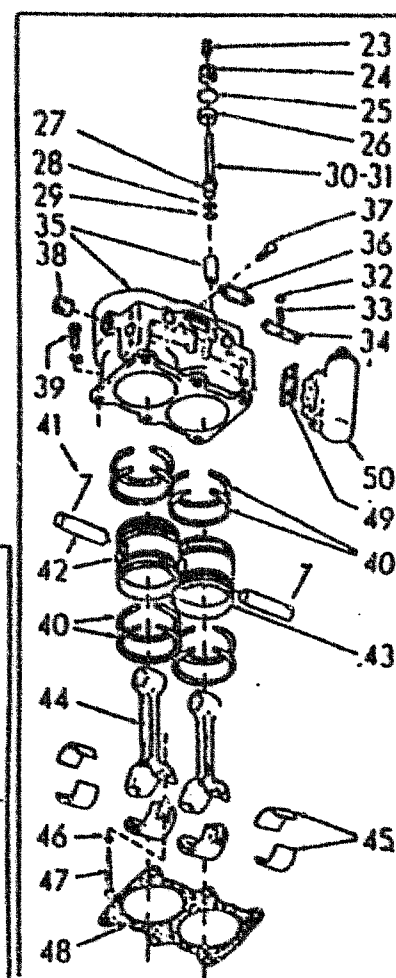
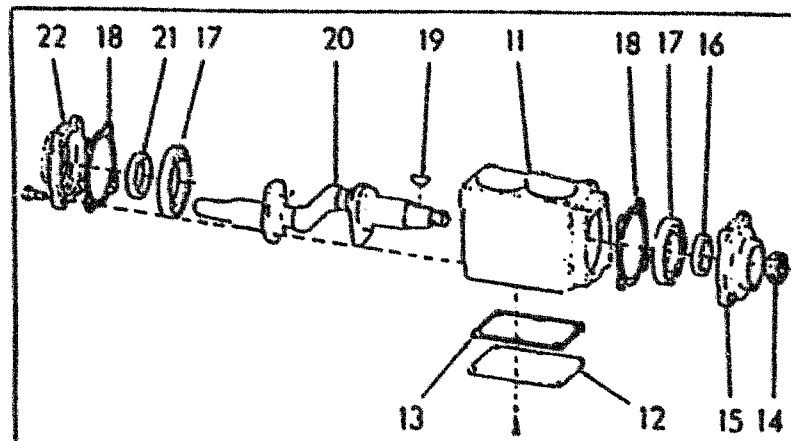
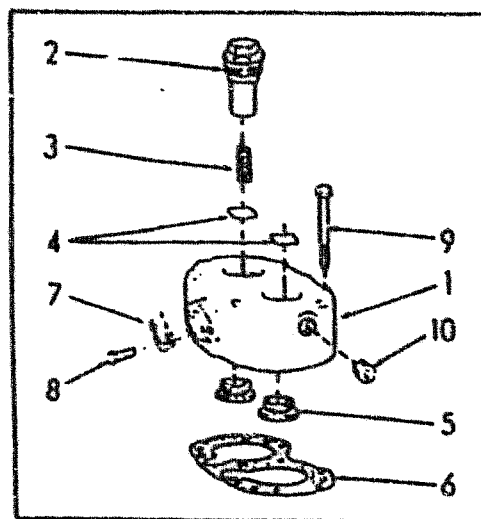
USAGE: UNITS EQUIPPED WITH BENDIX AIR COMPRESSOR

FR11

AIR COMPRESSOR ASSEMBLY
 COMPRESSORE ARIA-COMPLESSIVO
 COMPRESSEUR D'AIR
 LUFTKOMPRESSOR
 COMPRESOR DE AIRE

G101/2

ADDED OCTOBER 1990



ITEM	PART NO.	QTY.	CODE	DESCRIPTION	DENOMINAZIONE
44	79030498	2	51B	ROD, CONNECTING	BIELLA STANTUFFO
			600L	INCLUDES ITEM(S)45,47	INCLUDE PARTIC.(1)
	79030499	2	51B	ROD, CONNECTING +.010	BIELLA STANTUFFO
			600L	INCLUDES ITEM(S)45,47	INCLUDE PARTIC.(1)
	79030501	2	51B	ROD, CONNECTING +.020	BIELLA STANTUFFO
			600L	INCLUDES ITEM(S)45,47	INCLUDE PARTIC.(1)
45	79030503	2	340C	BEARING	CUSCINETTO
	79030504	2	340C	BEARING, +.010	CUSCINETTO
	79030505	2	340C	BEARING, +.020	CUSCINETTO
46	74053298	4	131R	WASHER	ROSETTA
47	74053356	4	40V	CAPSCREW	VITE
48	a74040494	1	123G	GASKET	GUARNIZIONE DI TENUTA
49	a74040345	1	123G	GASKET	GUARNIZIONE DI TENUTA
50	79031169	1	30R	GOVERNOR	REGOLATORE
	74055341	2	40V	CAPSCREW	VITE
	79032042	2	131R	WASHER	ROSETTA
51	79030515	1	129S	KIT	SERIE
52	79043069	1	129S	KIT	SERIE

a. COMPONENTS OF ITEM 51.
 INCLUSI NEL PART. 51.
 INCLUS AVEC ARTICLE 51.
 GEHORT ZU STUCK NR. 51.
 INCLUSO CON ARTICULO 51.

b. COMPONENTS OF ITEM 52.
 INCLUSI NEL PART. 52.
 INCLUS AVEC ARTICLE 52.
 GEHORT ZU STUCK NR. 52.
 INCLUSO CON ARTICULO 52.

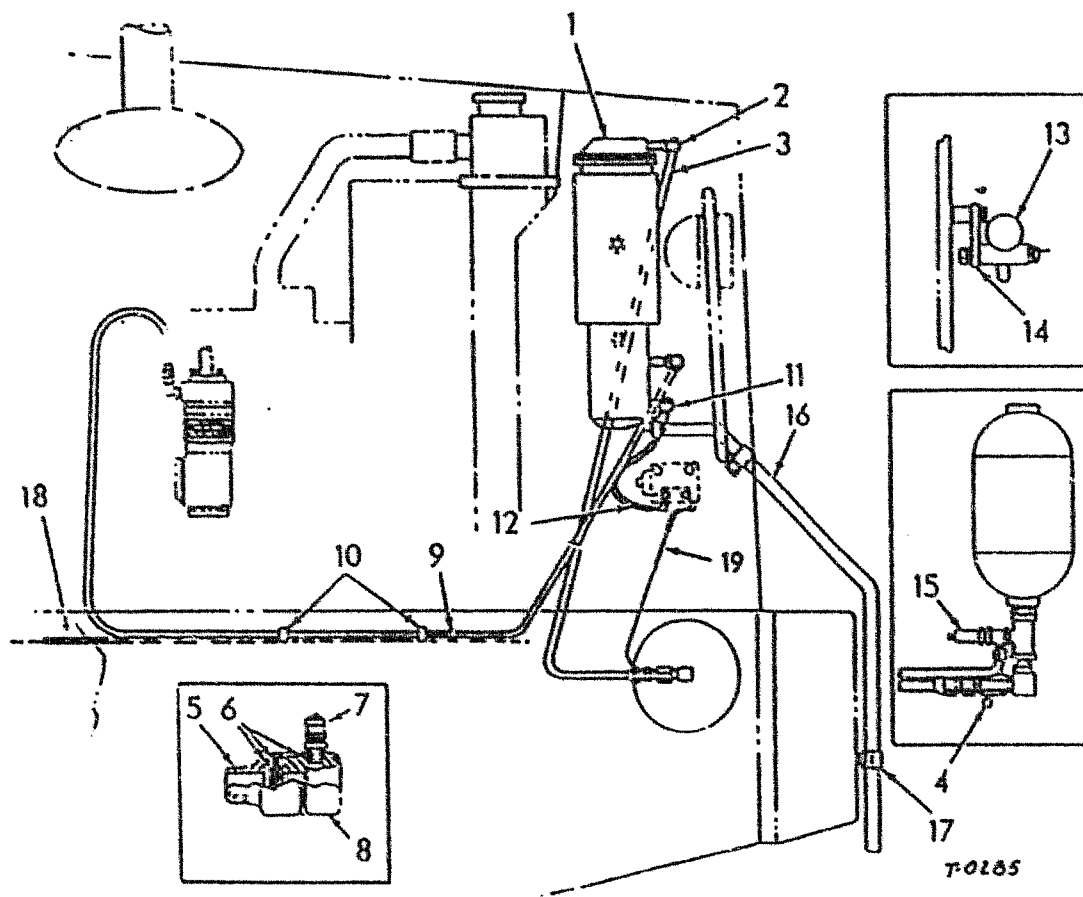
USAGE: UNITS EQUIPPED WITH BENDIX AIR COMPRESSOR

FR11

AIR COMPRESSOR ASSEMBLY
 COMPRESSORE ARIA-COMPLESSIVO
 COMPRESSEUR D'AIR
 LUFTKOMPRESSOR
 COMPRESOR DE AIRE

G101/2

ADDED OCTOBER 1990



ITEM	PART NO.	QTY.	CODE	DESCRIPTION	DENOMINAZIONE
1	-----	1	502E	DRYER(G109(2))	ESSICATORE
	70920583	2	40V	CAPSCREW, 1/2"NCX1-1/2"	VITE
	70677008	4	131R	WASHER	ROSETTA
	70911028	2	100	NUT, 1/2"NC	DADO
2	70605164	2	500J	GROMMET	ANELLO
3	73057997	1	206T	TUBE, DRYER TO WET TANK	TUBO
	70921184	1	75B	CONNECTOR, AT DRYER	BLOCCETTO CONNESSIONE
	70917430	1	95B	BUSHING, AT DRYER	BOCCOLA
	70919653	1	85G	ELBOW, AT DRYER	GOMITO
	70919708	1	28N	NIPPLE, AT DRYER	NIPPLO
	70921184	1	75B	CONNECTOR	BLOCCETTO CONNESSIONE
				AT CHECK VALVE	
4	70196735	1	204V	VALVE, CHECK	VALVOLA DI RITENUTA
			600L	INCLUDES ITEMS 5-8	INCLUDE PARTIC.(1)
	70917431	1	85G	ELBOW, AT WET TANK	GOMITO
	70935725	1	16R	TEE, AT WET TANK	RACCORDO A 3 VIE
	70922976	1	75B	CONNECTOR, AT WET TANK	BLOCCETTO CONNESSIONE
5	-----	1	300C	BODY	CORPO
			601C	NOT SERVICED	NON FORNITO DI RICAMB.
6	70196759	1	129S	KIT	SERIE
7	70166222	1	10V	VALVE	VALVOLA
8	-----	1	20C	CAP	CALOTTA
			601C	NOT SERVICED	NON FORNITO DI RICAMB.
9	73153838	1	192T	HOSE, DRYER TO COMPRESS	TUBO FLESSIBILE
	70921589	1	75B	CONNECTOR, AT DRYER	BLOCCETTO CONNESSIONE
	70919653	1	85G	ELBOW, AT DRYER	GOMITO
	70919707	1	28N	NIPPLE, AT DRYER	NIPPLO
	70922867	1	75B	CONNECTOR, AT COMPRESS.	BLOCCETTO CONNESSIONE
	70921579	1	85G	ELBOW, AT COMPRESSOR	GOMITO
10	70929702	2	120M	CLAMP	MORSETTO COLLARE
11	70044810	1	500J	GROMMET	ANELLO
12	73059069	1	206T	TUBE	TUBO
	70911017	3	85G	ELBOW	GOMITO
13	-----	1	35R	GOVERNOR(G401(1))	REGOLATORE
14	73155635	1	103P	PLATE	PIASTRA
	70922763	2	40V	CAPSCREW, 3/8"NC X 1"	VITE
	70677006	2	131R	WASHER	ROSETTA

USAGE: SPECIAL EQUIPMENT; USO: EQUIPAGGIAMENTO SPECIALE; USAGE: EQUIPEMENT SPECIAL;
VERWENDUNG: SONDERAUSRÜSTUNG; USO: EQUIPO ESPECIAL

FR1.

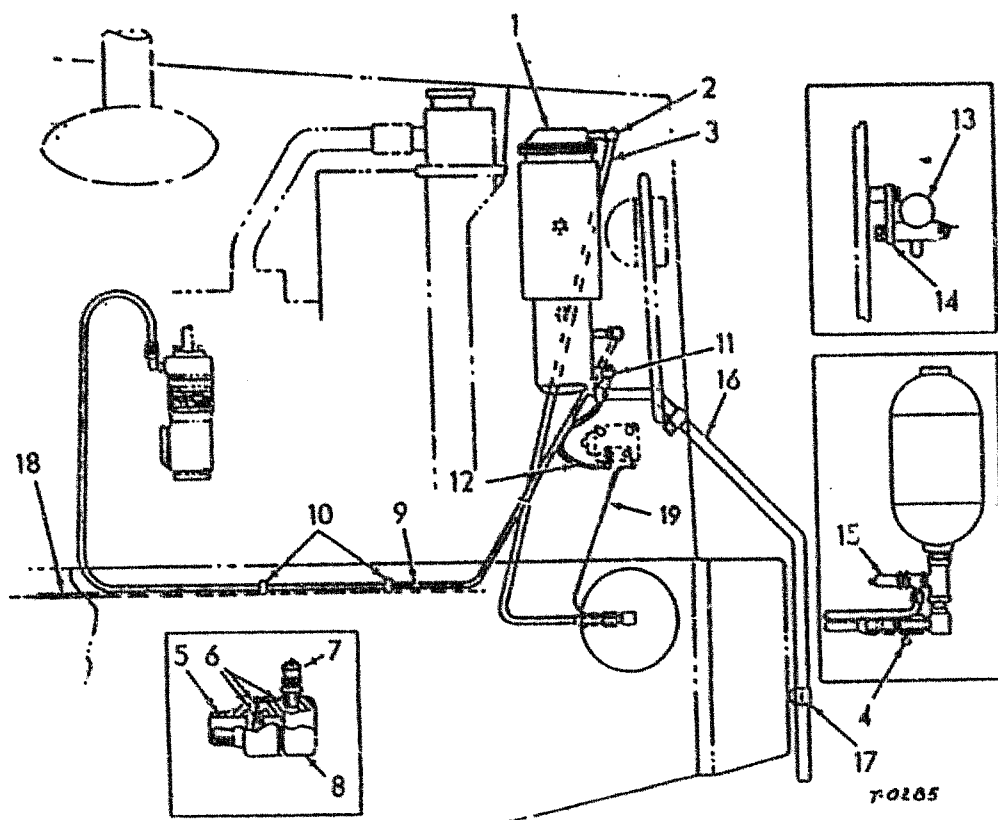
AIR DRYER & LINES
ESSICATORE ARIA E TUBAZIONI
SECHEUR D'AIR ET CONDUITES
LUFTTROCKNER UND LEITUNGEN
DESECADOR DE AIRE Y TUBERIA

G109

1

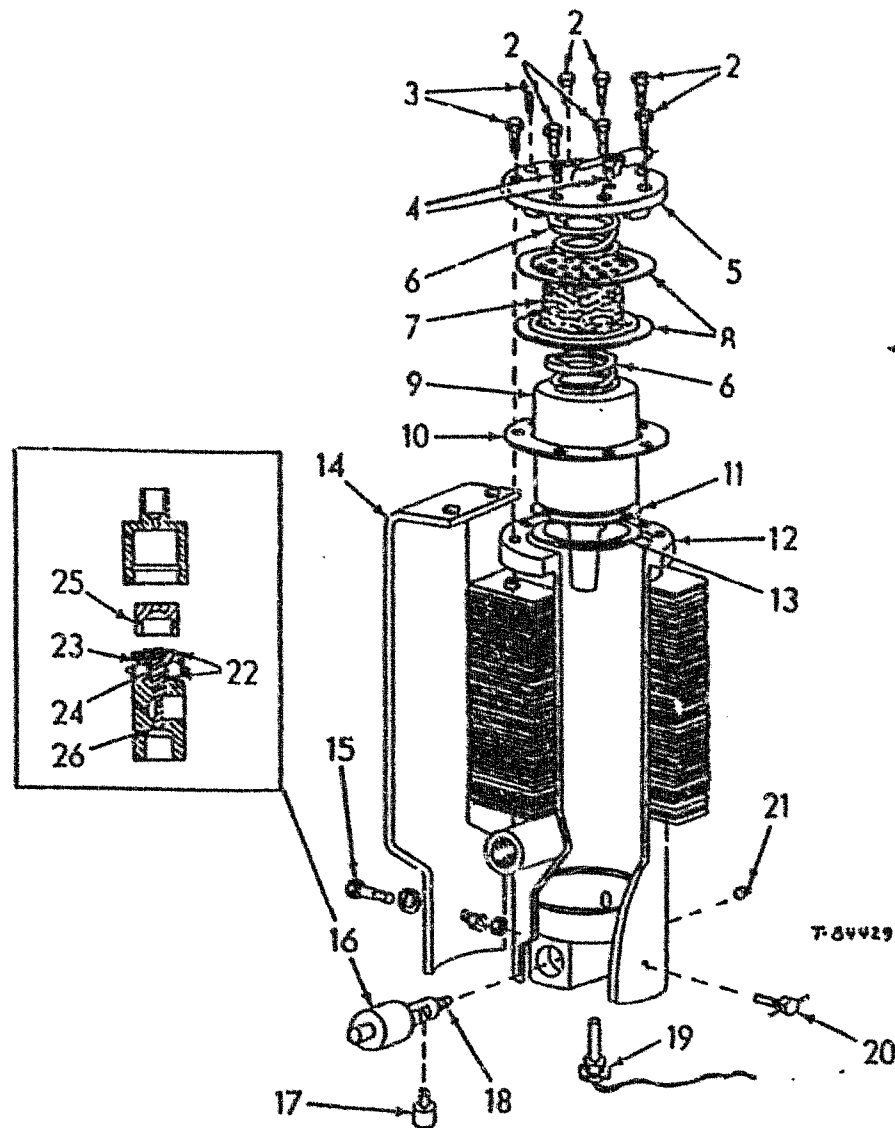
Added August 1988

ITEM	PART NO.	QTY.	CODE	DESCRIPTION	DENOMINAZIONE
15	70160425	1	204V	VALVE, CHECK	VALVOLA DI RITENUTA
			600N	SERVICED AS A UNIT	FORNITO COME COMPLESS.
	70935726	1	16R	TEE	RACCORDO A 3 VIE
16	70661074	1	192T	HOSE	TUBO FLESSIBILE
	70921911	1	120M	CLAMP	MORSETTO COLLARE
	70901676	1	85G	ELBOW	GOMITO
	70904273	1	28N	NIPPLE	NIPPLO
17	70930846	2	120M	CLAMP	MORSETTO COLLARE
	70927400	2	4GV	CAPSCREW, 3/8"NC X 5/8"	VITE
	70929156	2	131R	WASHER	ROSETTA
	70933623	2	10D	NUT, 3/8"NC	DADO
18	73153785	1	111C	CABLE, ELECTRIC	CAVO ELETTRICO
19	73058639	1	206T	TUBE	TUBO



USAGE: SPECIAL EQUIPMENT; USO: EQUIPAGGIAMENTO SPECIALE; USAGE: EQUIPEMENT SPECIAL;
 VERWENDUNG: SONDERAUSRUSTUNG; USO: EQUIPO ESPECIAL

FR11	AIR DRYER & LINES ESSICATORE ARIA E TUBAZIONI SECHEUR D'AIR ET CONDUITES LUFTTROCKNER UND LEITUNGEN DESECADOR DE AIRE Y TUBERIA	G109	1
		Added August 1988	



ITEM	PART NO.	QTY.	CODE	DESCRIPTION	DENOMINAZIONE
1	73147092	1	502E	DRYER	ESSICATORE
	600L			INCLUDES ITEMS 2-26	INCLUDE PARTIC.(1)
2	70923470	6	40V	CAPSCREW, 3/8"NCX1-1/2"	VITE
	70933623	6	10D	NUT, 3/8"NC	DADO
3	70922287	2	40V	CAPSCREW, 3/8"NCX1-3/4"	VITE
	70933623	2	10D	NUT, 3/8"NC	DADO
4	73145869	2	11V	VALVE, PROTECTION	VALVOLA DI PROTEZIONE
5	73145870	1	501M	HEAD	TESTA
6	73145871	2	100M	SPRING	MOLLA
7	73145872	1	85F	FILTER	FILTRO
8	73145873	2	43R	STRAINER, FILTER	RETICELLA DEL FILTRO
9	73145874	1	101S	BAFFLE	DEFLETTORE
10	73145875	1	123G	GASKET	GUARNIZIONE DI TENUTA
11	73145876	1	206T	TUBE	TUBO
12	-----	1	300C	BODY	CORPO
	600M			ORDER ITEM 1	ORDINARE PARTIC.
13	73145877	1	45A	RING	ANELLO
14	73145878	1	230S	BRACKET, MOUNTING	STAFFETTA FISSAGGIO
15	73145879	1	140B	BOLT	BULLONE
16	73145880	1	200V	VALVE, AUTOMATIC DRAIN	VALVOLA AUTO. SCARICO
17	73136297	1	55T	ADAPTER	ADATTATORE
18	70922777	1	28N	NIPPLE	HIPPLO
19	73145881	1	105R	HEATER	RISCALDATORE
20	73145882	1	50T	PLUG	TAPPO
21	70924636	1	50T	PLUG	TAPPO
22	-----	2	131R	WASHER	ROSETTA
	600M			ORDER ITEM 27	ORDINARE PARTIC.
23	-----	1	235S	PISTON	STANTUFFO
	600M			ORDER ITEM 27	ORDINARE PARTIC.
24	-----	1	100M	SPRING	MOLLA
	600M			ORDER ITEM 27	ORDINARE PARTIC.
25	-----	1	55A	O-RING	ANELLO DI TENUTA
	600M			ORDER ITEM 27	ORDINARE PARTIC.
26	-----	1	55A	O-RING	ANELLO DI TENUTA
	600M			ORDER ITEM 27	ORDINARE PARTIC.
27	73145923	1	500I	REPAIR KIT	CORREDO DI RIPAR.
	600L			INCLUDES ITEMS 22-26	INCLUDE PARTIC.(1)

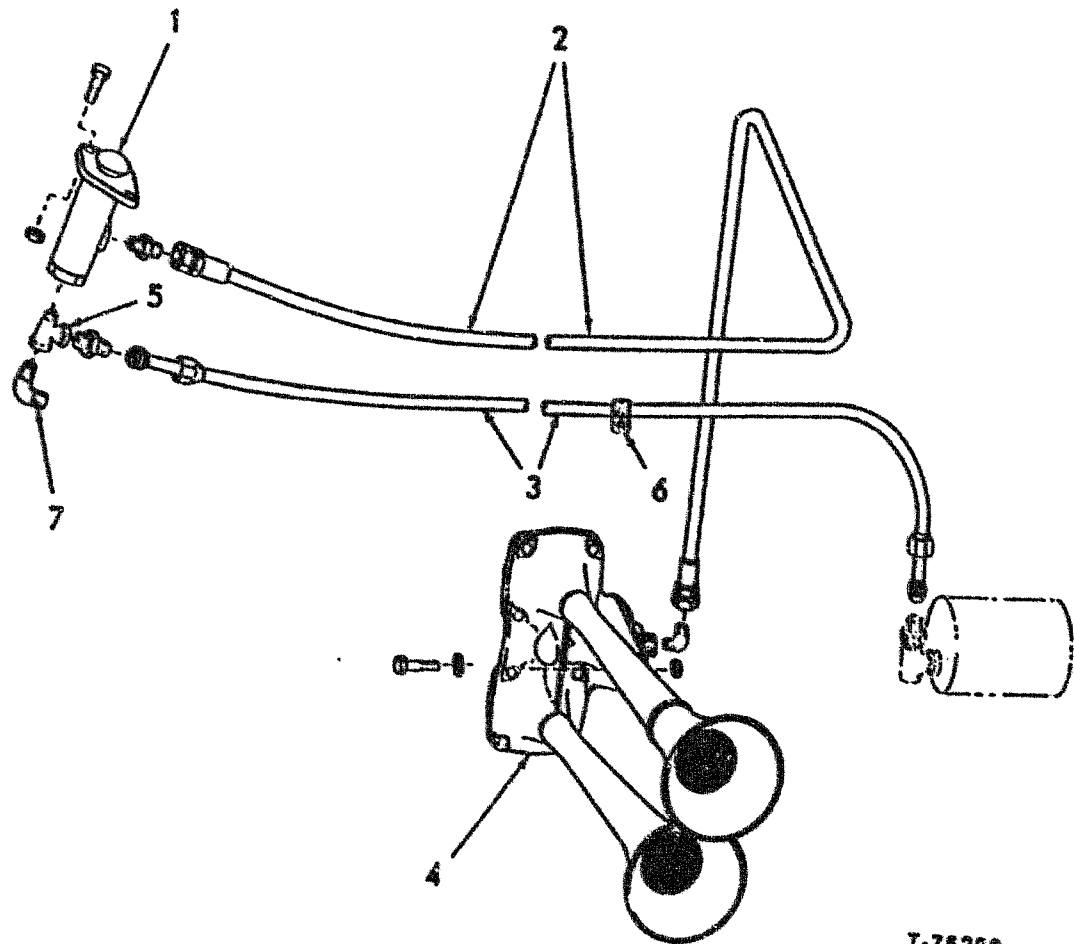
FR11

AIR DRYER
 ESSICATORE ARIA
 SECHEUR D'AIR
 LUFTTROCKNER
 DESECADOR DE AIRE

G109

2

Added August 1988



ITEM	PART NO.	QTY.	CODE	DESCRIPTION	DENOMINAZIONE
1	70181478	1	10V	VALVE	VALVOLA
	70927388	2	40V	CAPSCREW, 1/4"NC X 3/4"	VITE
	70933621	2	100	NUT, 1/4"	DADO
2	73057998	1	206T	TUBE	TUBO
	70914626	1	75B	CONNECTOR, 1/8"	BLOCCHETTO CONNESSIONE
	70911018	1	85G	ELBOW, 1/4"	GOMITO
3	73074181	1	206T	TUBE	TUBO
	70924816	1	75B	CONNECTOR, 1/2"	BLOCCHETTO CONNESSIONE
4	-----	1	105A	HORN (G447)	AVVISATORE
	70927338	2	40V	CAPSCREW, 1/4"NC X 7/8"	VITE
	70677004	2	131R	WASHER	ROSETTA
	70933621	2	100	NUT, 1/4"	DADO
5	70921104	1	16R	TEE	RACCORDO A 3 VIE
6	10450690	1	89G	CLIP	GRAFFETTA
7	70921185	1	85G	ELBOW	

T-75208

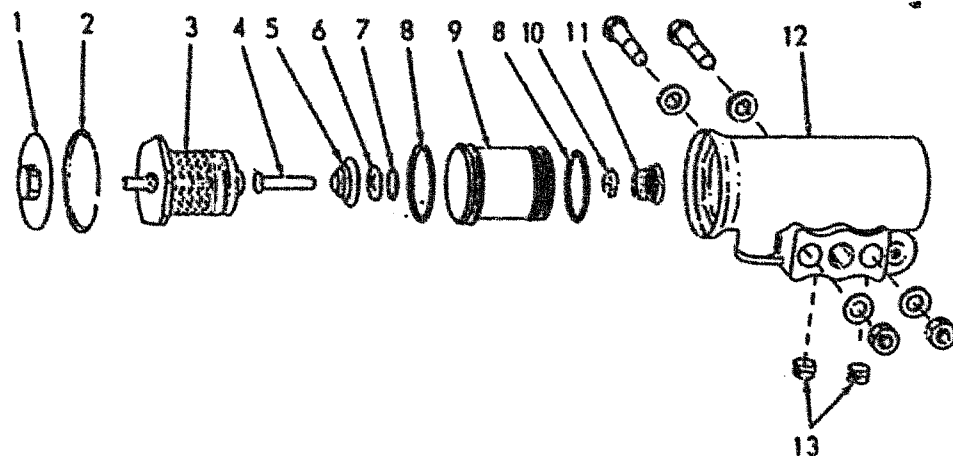
FR11

AIR HORN LINES
 AVVISATORE PNEUMATICO-TUBAZIONI
 AVERTISSEUR PNEUMATIQUE ET CONDUITES
 DRUCKLUFTHORNLEITUNGEN
 TUBERIA DE LA CORNETA DE AIRE

G303

REVISED OCTOBER 1990

G401(1)



T-0286

ITEM	PART NO.	QTY.	CODE	DESCRIPTION	DENOMINAZIONE
-	74056278	1	30R	GOVERNOR	REGOLATORE
			600L	INCLUDES ITEMS 1-13	INCLUDE PARTIC.(1)
	70929803	2	40V	CAPSCREW, 5/16"NC X 3-1/2"	VITE
	70677005	4	131R	WASHER	ROSETTA
	70933622	2	10D	NUT, 5/16"NC	DADO
1	74055277	1	265C	COVER	COPERCHIO
2	74056265	1	45A	RING	ANELLO
3	74055276	1	10V	VALVE	VALVOLA
			600N	SERVICED AS A UNIT	FORNITO COME COMPLESS.
4	74055278	1	22G	STEM	GAMBO
5	74055279	1	100M	SPRING	MOLLA
6	74055275	1	131R	WASHER	ROSETTA
7	74054151	1	500J	GROMMET	ANELLO
			600E	INNER	INTERNO
8	74055283	2	500J	GROMMET	ANELLO
			600F	OUTER	ESTERNO
9	74055274	1	235S	PISTON	STANTUFFO
			600L	INCLUDES ITEMS 6,7	INCLUDE PARTIC.(1)
10	74055273	1	10V	VALVE	VALVOLA
11	74055272	1	100M	SPRING	MOLLA
12	74055281	1	300C	BODY	CORPO
	70917673	4	50T	PLUG, 1/8"NPT	TAPPO
13	74055282	2	65F	FILTER	FILTRO

FR11

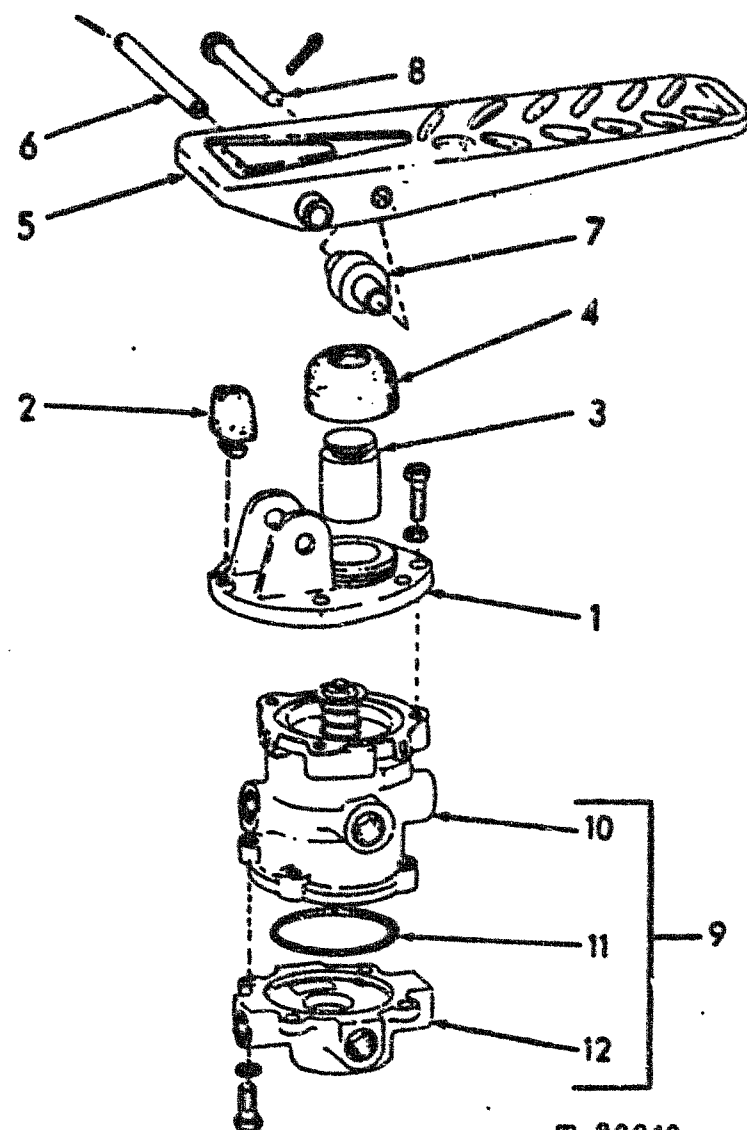
GOVERNOR ASSEMBLY
REGOLATORE
REGULATEUR
REGLER
REGULADOR

G401

1

Added August 1988

G428(1)



T-80040

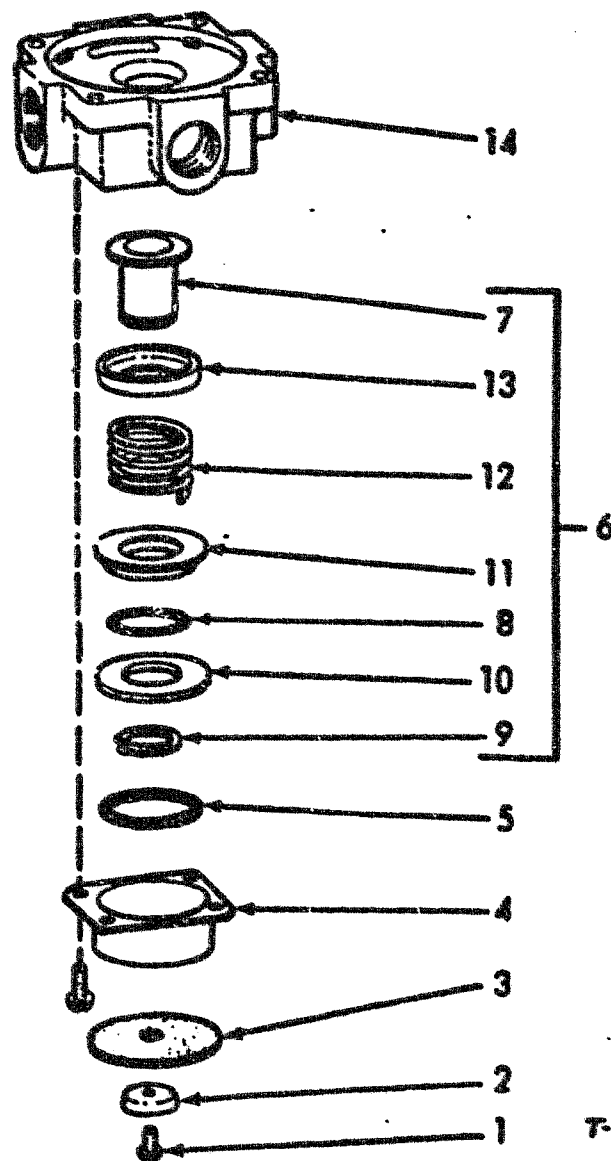
ITEM	PART NO.	QTY.	CODE	DESCRIPTION	DENOMINAZIONE
-	73070091	1	92F	BRAKE UNIT	GRUPPO FRENANTE
	600L			INCLUDES ITEM(S)1-12	INCLUDE PARTIC.(1)
1	70194955	1	265C	COVER	COPERCHIO
2	70194956	1	80A	STOP	ARRESTO
3	70194957	1	130P	PLUNGER	PISTONCINO
4	70194958	1	331C	BOOT, RUBBER	CUFFIA DI GOMMA
5	70194953	1	60P	PEDAL	PEDALE
	600L			INCLUDES ITEM(S)7,8	INCLUDE PARTIC.(1)
6	70194964	1	80P	PIN	PERNO
	70916202	1	81P	PIN, SPRING, 1/8" X 7/8"	PERNO DI FISSAGGIO
7	70194963	1	157R	ROLLER	RULLO
8	70194961	1	80P	PIN	PERNO
	70918448	1	81P	PIN, SECURING, 3/32" X 1	PERNO DI FISSAGGIO
9	73109214	1	10V	VALVE	VALVOLA
	600L			INCLUDES ITEM(S)10-12	INCLUDE PARTIC.(1)
	70915813	3	40V	CAPSCREW, 5/16"MC X 7/8"	VITE
	70904205	3	132R	LOCKWASHER	ROSETTA DI SICUREZZA
10	-----	1	300C	BODY (G428(3))	CORPO
	600C			UPPER	SUPERIORE
11	70924186	1	55A	O-RING	ANELLO DI TENUTA
12	-----	1	300C	BODY (G428(2))	CORPO
	600D			LOWER	INFERIORE
	70674473	4	40V	CAPSCREW	VITE
	70919310	4	132R	LOCKWASHER, 1/4"	ROSETTA DI SICUREZZA

FR11

AIR APPLICATION VALVE ASSEMBLY
 VALVOLA COMANDO FRENI
 CISTRIBUTEUR DU FREIN PNEUMATIQUE
 CRUCKLUFTSTEUERVENTIL
 VALVULA DE CONTROL DEL FRENO DE AIRE

G428

1



T-80098

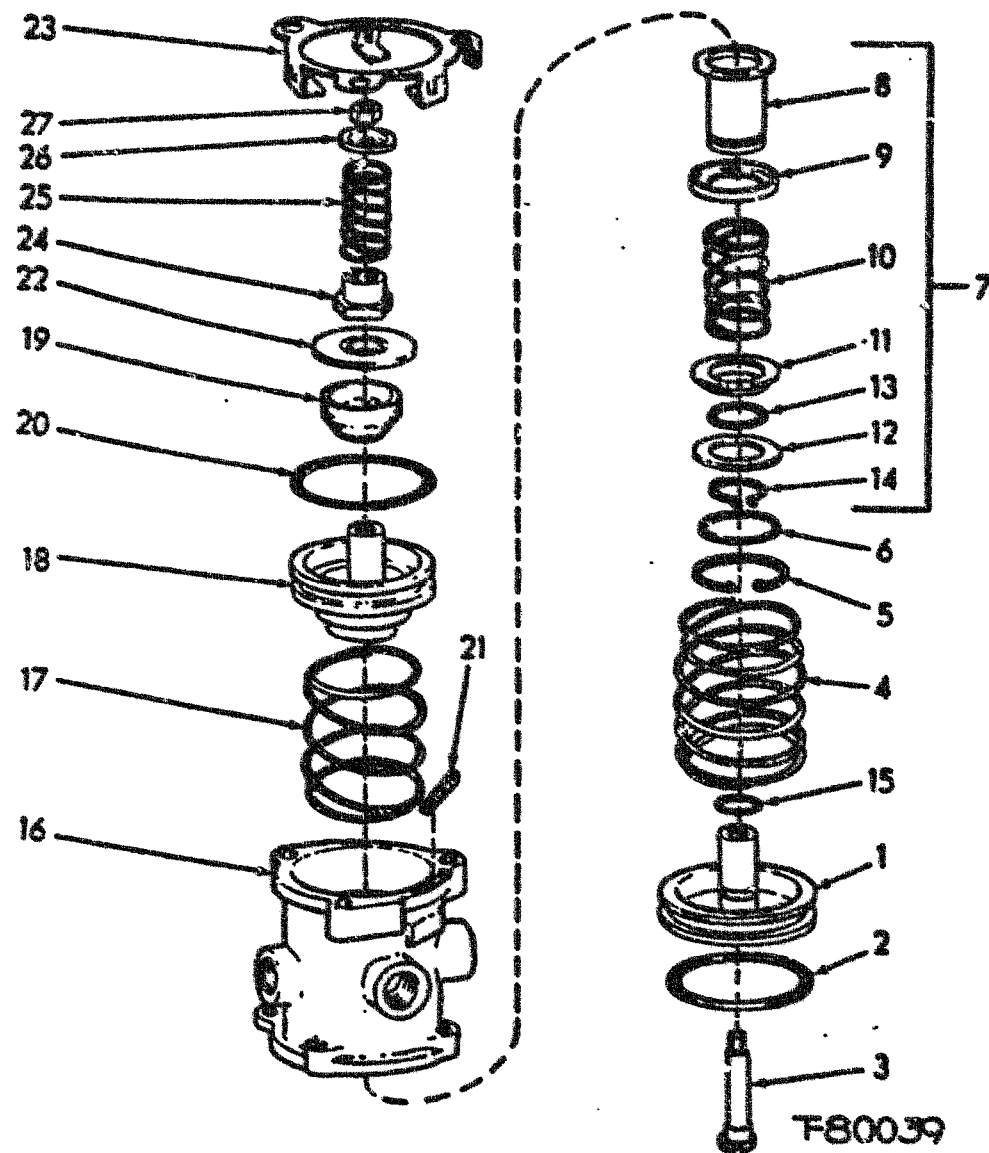
ITEM	PART NO.	QTY.	CODE	DESCRIPTION	DENOMINAZIONE
-	73109175	1	300C	BODY	CORPO
			600L	INCLUDES ITEM(S)1-14	INCLUDE PARTIC.(1)
1	73109227	1	42V	SCREW	VITE
2	73109226	1	131R	WASHER	ROSETTA
3	73109225	1	35D	DIAPHRAGM	DIAFRAMMA
4	73109224	1	265C	COVER	COPERCHIO
	73109221	4	42V	SCREW	VITE
5	70923568	1	55A	O-RING	ANELLO DI TENUTA
6	73109223	1	10V	VALVE	VALVOLA
			600L	INCLUDES ITEM(S)7-13	INCLUDE PARTIC.(1)
7	-----	1	10V	VALVE	VALVOLA
			601C	NOT SERVICED	NON FORNITO DI RICAMB.
8	70191848	1	55A	O-RING	ANELLO DI TENUTA
9	70932512	1	56A	RING, RETAINING	ANELLO DI RITEGNO
10	73109230	1	131R	WASHER	ROSETTA
11	73109232	1	61S	RETAINER	SCODELLINO DI RITEGNO
12	73109229	1	100M	SPRING	MOLLA
13	73109228	1	61S	RETAINER	SCODELLINO DI RITEGNO
14	73109222	1	300C	BODY	CORPO

FR11

AIR APPLICATION VALVE ASSEMBLY
 VALVOLA COMANDO FRENI
 DISTRIBUTEUR DU FREIN PNEUMATIQUE
 DRUCKLUFTSTEUERVENTIL
 VALVULA DE CONTROL DEL FRENO DE AIRE

G428

2



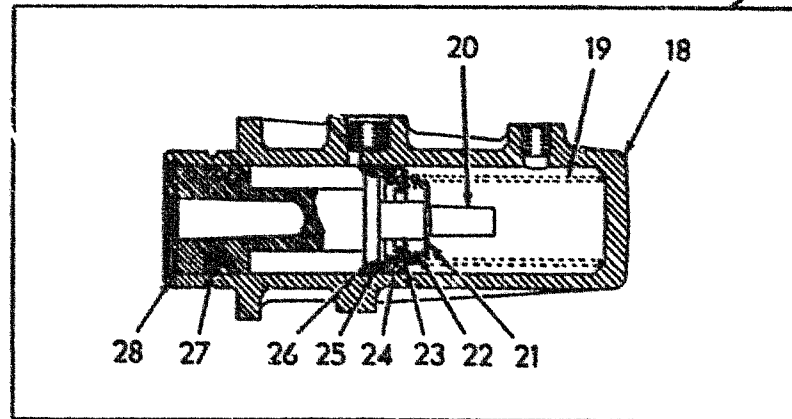
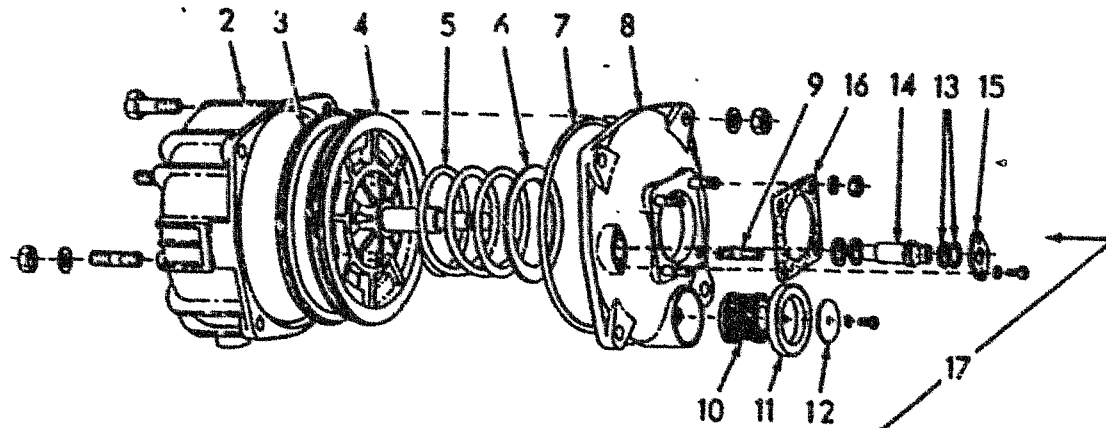
ITEM	PART NO.	QTY.	CODE	DESCRIPTION	DENOMINAZIONE
-	73109218	1	300C	BODY	CORPO
			600C	UPPER	SUPERIORE
			600L	INCLUDES ITEM(S)1-27	INCLUDE PARTIC.(1)
1	-----	1	235S	PISTON	STANTUFFO
			601C	NOT SERVICED	NON FORNITO DI RICAMB.
2	70923852	1	55A	O-RING	ANELLO DI TENUTA
3	73109244	1	22G	STEM	GAMBO
4	73109238	1	100M	SPRING	MOLLA
5	70927575	1	56A	RING, RETAINING	ANELLO DI RITEGNO
6	70923895	1	55A	O-RING	ANELLO DI TENUTA
7	73109236	1	10V	VALVE	VALVOLA
			600L	INCLUDES ITEM(S)8-14	INCLUDE PARTIC.(1)
8	-----	1	10V	VALVE	VALVOLA
			601C	NOT SERVICED	NON FORNITO DI RICAMB.
9	73109250	1	61S	RETAINER	SCODELLINO DI RITEGNO
10	73109251	1	100M	SPRING	MOLLA
11	73109253	1	61S	RETAINER	SCODELLINO DI RITEGNO
12	73109252	1	131R	WAS'ER	ROSETTA
13	70923566	1	55A	O-RING	ANELLO DI TENUTA
14	70927735	1	45A	RING	ANELLO
15	70923561	1	55A	O-RING	ANELLO DI TENUTA
16	73109235	1	300C	BODY	CORPO
17	73109239	1	100M	SPRING	MOLLA
18	-----	1	235S	PISTON	STANTUFFO
			601C	NOT SERVICED	NON FORNITO DI RICAMB.
19	70194975	1	45A	RING	ANELLO
20	70923580	1	55A	O-RING	ANELLO DI TENUTA
21	73109245	1	65F	FILTER	FILTRO
22	73109240	1	80S	SEAT	SEBILE
23	70194969	1	61S	RETAINER	SCODELLINO DI RITEGNO
24	73109241	1	10D	NUT	DADO
25	73109242	1	100M	SPRING	MOLLA
26	73109243	1	147G	GUIDE, SPRING	GUIDA MOLLA
27	70922714	1	10D	NUT, #10-32NF	DADO

FR1:

AIR APPLICATION VALVE ASSEMBLY
 VALVOLA COMANDO FRENI
 DISTRIBUTEUR DU FREIN PNEUMATIQUE
 DRUCKLUFTSTEUERVENTIL
 VALVULA DE CONTROL DEL FRENO DE AIRE

G428

3



T-84112

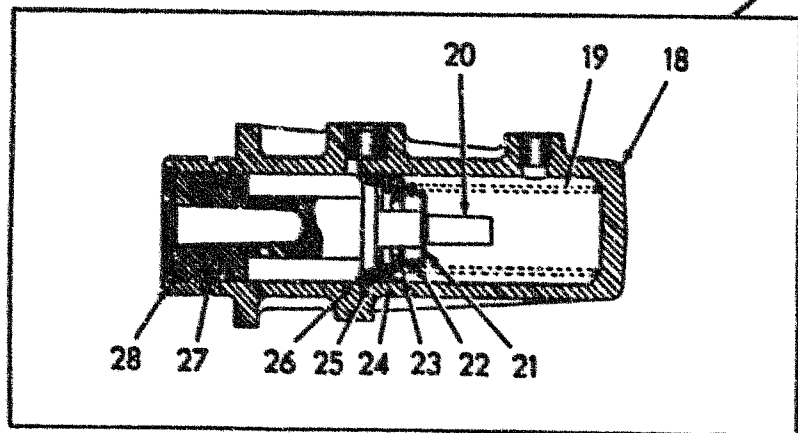
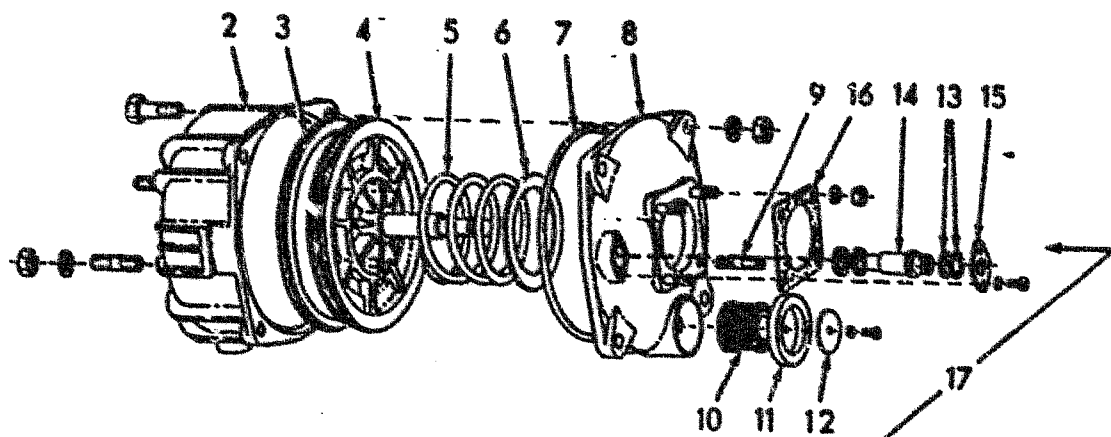
ITEM	PART NO.	QTY.	CODE	DESCRIPTION	DENOMINAZIONE
1	76007426	1	310S	BOOSTER, BRAKE	SUPPRESSORE FRENI
			600L	INCLUDES ITEM(S)2-15	INCLUDE PARTIC.(1)
	70677006	3	131R	WASHER	ROSETTA
	10788221	3	100	NUT, M10	DADO
2	-----	1	300C	BODY	CORPO
			600M	ORDER ITEM(S)1	ORDINARE PARTIC.
	79056586	4	131R	WASHER	ROSETTA
	79056573	3	210P	STUD	PRIGIONIERO
	79056585	4	40V	CAPSCREW	VITE
	79056587	4	100	NUT	DADO
3	79056575	1	123G	GASKET	GUARNIZIONE DI TENUTA
4	79056574	1	235S	PISTON	STANTUFFO
5	79056576	1	100M	SPRING	MOLLA
6	79056577	1	131R	WASHER	ROSETTA
7	79056578	1	123G	GASKET	GUARNIZIONE DI TENUTA
8	79056579	1	265C	COVER	COPERCHIO
9	79056580	4	210P	STUD	PRIGIONIERO
	79043164	4	131R	WASHER	ROSETTA
	16100811	4	100	NUT	DADO
10	79056581	1	65F	FILTER	FILTRO
11	79056582	1	330C	BOOT	CUFFIA DI PROTEZIONE
12	79056583	1	265C	COVER	COPERCHIO
	79056584	1	131R	WASHER	ROSETTA
	10389411	1	40V	CAPSCREW	VITE
13	79056588	12	131R	WASHER	ROSETTA
			600P	AS REQUIRED	DEFINITO AL MONTAGGIO
14	79056589	1	751	SWITCH	INTERRUTTORE
15	79056590	1	105P	PLATE	PIASTRA
	79056584	2	131R	WASHER	ROSETTA
	10389411	2	40V	CAPSCREW	VITE
16	76007524	1	123G	GASKET	GUARNIZIONE DI TENUTA
17	76007423	1	159C	CYLINDER, BRAKE	CILINDRO FRENO
			600L	INCLUDES ITEM(S)18-20	INCLUDE PARTIC.(1)
18	-----	1	300C	BODY	CORPO
			600M	ORDER ITEM(S)17	ORDINARE PARTIC.
19	79056592	1	100M	SPRING	MOLLA
20	79056593	1	16A	SHAFT	ALBERO

FR11

POWER CLUSTER ASSEMBLY
 SERVOFRENO
 SERVOFREIN
 BREMSSERVOGRUPPE
 SERVOFRENOS

G437

1



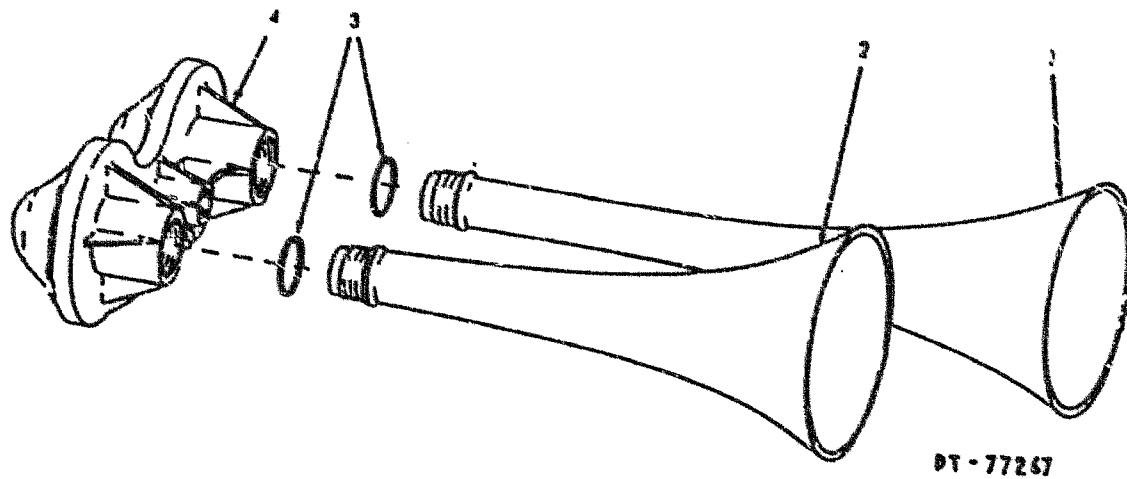
T-84112

ITEM	PART NO.	QTY.	CODE	DESCRIPTION	DENOMINAZIONE
21	79056594	1	60S	CUP	SCODELLINO
22	79056595	1	100M	SPRING	MOLLA
23	79056596	1	45A	RING	ANELLO
24	79056597	1	123G	GASKET	GUARNIZIONE DI TENUTA
25	79056598	1	123C	GASKET	GUARNIZIONE DI TENUTA
26	79056599	1	45A	RING	ANELLO
27	79056600	1	123G	GASKET	GUARNIZIONE DI TENUTA
28	79056601	1	45A	RING	ANELLO

FR11	POWER CLUSTER ASSEMBLY SERVOFRENO SERVOFREIN BREMSSERVOGRUPPE SERVOFRENOS	6437		1

G447(1)

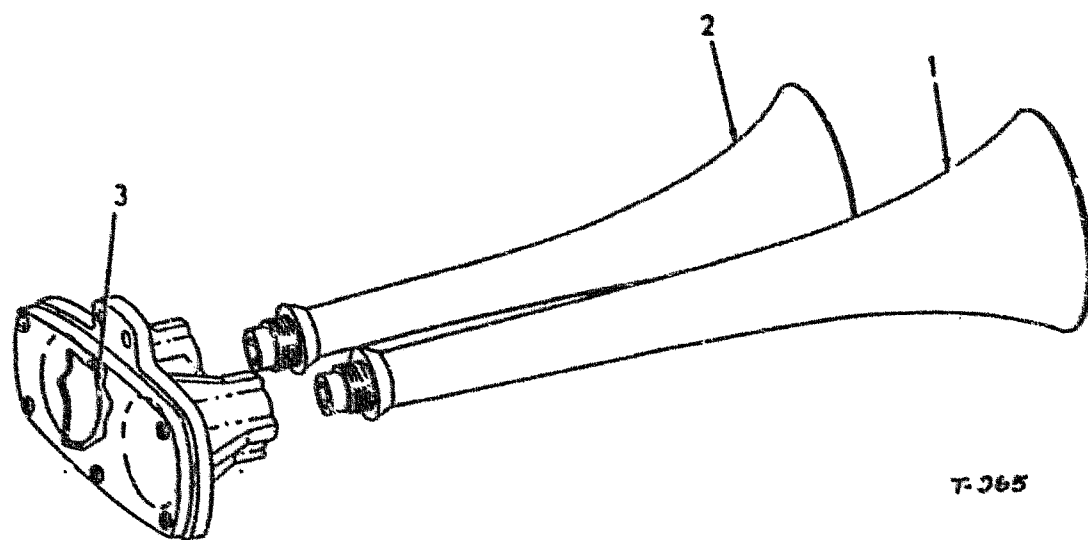
ITEM	PART NO.	QTY.	CODE	DESCRIPTION	DENOMINAZIONE
-	73053921	1	105A	HORN	AVVISATORE
			600L	INCLUDES ITEMS 1-4	INCLUDE PARTIC.(1)
1	73056154	1	296S	BELL	SOUNERIA
2	73056153	1	296S	BELL	SOUNERIA
3	73061126	2	1230	GASKET	GUARNIZIONE DI TENUTA
4	73061127	1	350	DIAPHRAGM (2-1/2"DIA)	DIAFRAMMA



USAGE: FIRST TYPE.

FR11	AIR HORN ASSEMBLY	G447	1
		REVISED OCTOBER 1990	

G447(2)

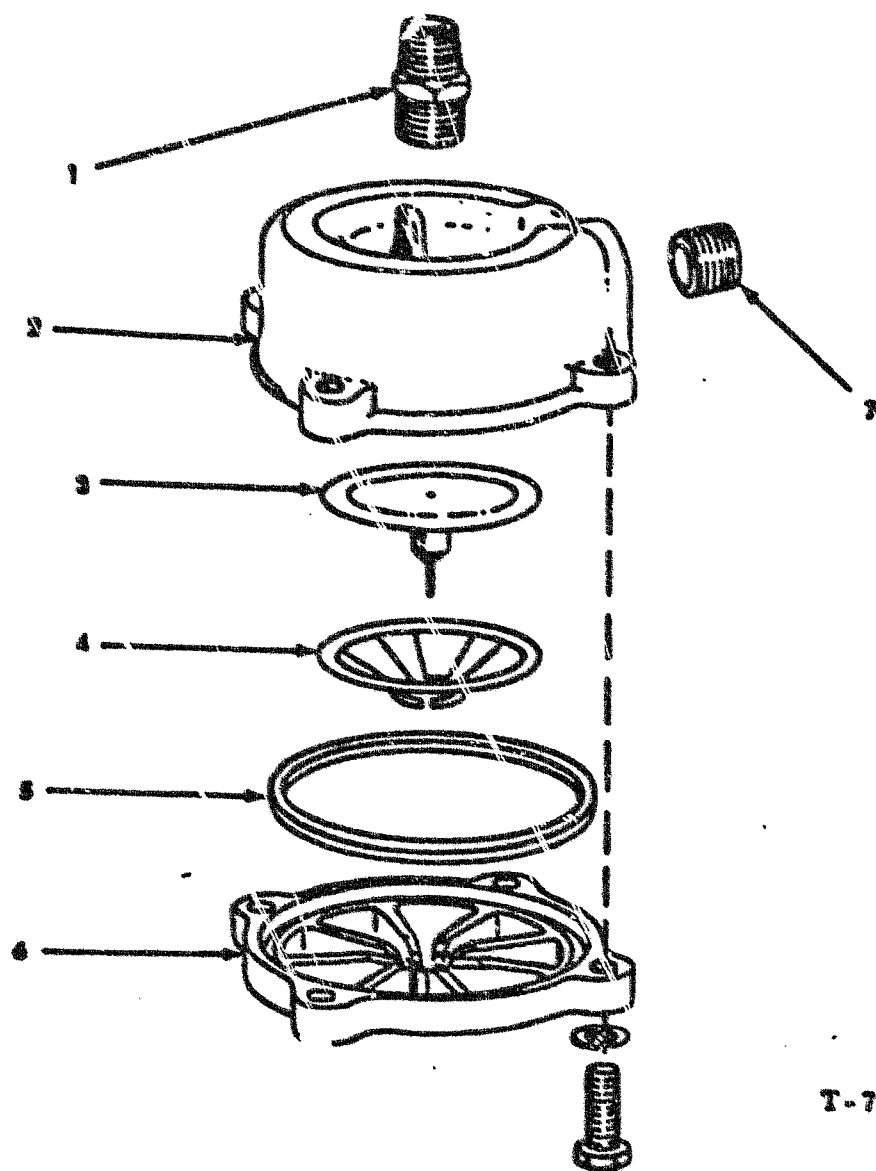


ITEM	PART NO.	QTY.	CODE	DESCRIPTION	DENOMINAZIONE
-	73152753	1	105A	HORN	AVVISATORE
			600L	INCLUDES ITEMS 1-3	INCLUDE PARTIC.(1)
1	73056154	1	105A	HORN	AVVISATORE
2	73056153	1	105A	HORN	AVVISATORE
3	73152754	2	350	DIAPHRAGM (2-1/2"DIA)	DIAFRAMMA

USAGE: SECOND TYPE.

FR11	HORN	G447	2
ADDED OCTOBER 1990			

G452



T-74160

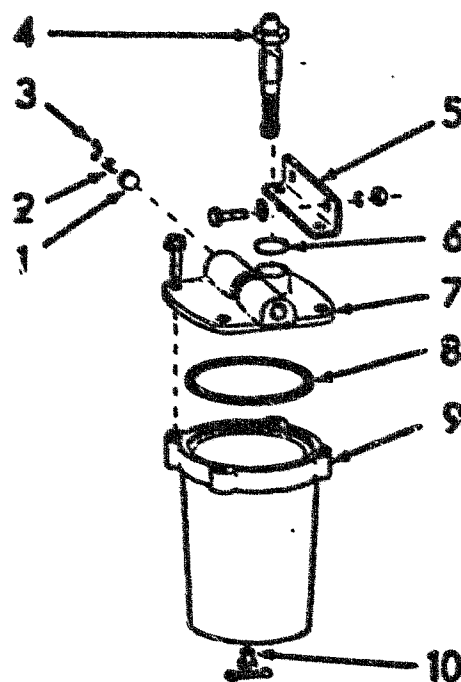
ITEM	PART NO.	QTY.	CODE	DESCRIPTION	DENOMINAZIONE
-	73103486	1	10V	VALVE	VALVOLA
			600L	INCLUDES ITEM(S)11-6	INCLUDE PARTIC.(1)
1	70917329	1	55T	ADAPTER, 3/4"NPT-1/4"NPT	ADATTATORE
2	-----	1	300C	BODY	CORPO
			601C	NOT SERVICED	NON FORNITO DI RICAMB.
3	73104683	1	10V	VALVE	VALVOLA
4	73104684	1	145G	GUIDE	GUIDA
5	73104685	1	45A	RING	ANELLO
6	-----	1	255C	COVER	COPERCHIO
			601C	NOT SERVICED	NON FORNITO DI RICAMB.
	70915813	4	40V	CAPSCREW, 5/16"NC X 7/8"	VITE
	70917356	4	132R	LOCKWASHER, 5/16"	ROSETTA DI SICUREZZA
7	70918887	1	50T	PLUG, 3/8"NPT	TAPPO

FR11

AIR TANK DRAIN VALVE
 SERBATOIO ARIA-SCARICO
 ROBINET DE VIDANGE DES RESERVOIRS D'AIR
 DRUCKLUFTVORRATSBEHALTER-ABLASSHAHN
 GRIFO DE DRENAJE DE LOS TANQUES DE AIRE

G452

6471(1)



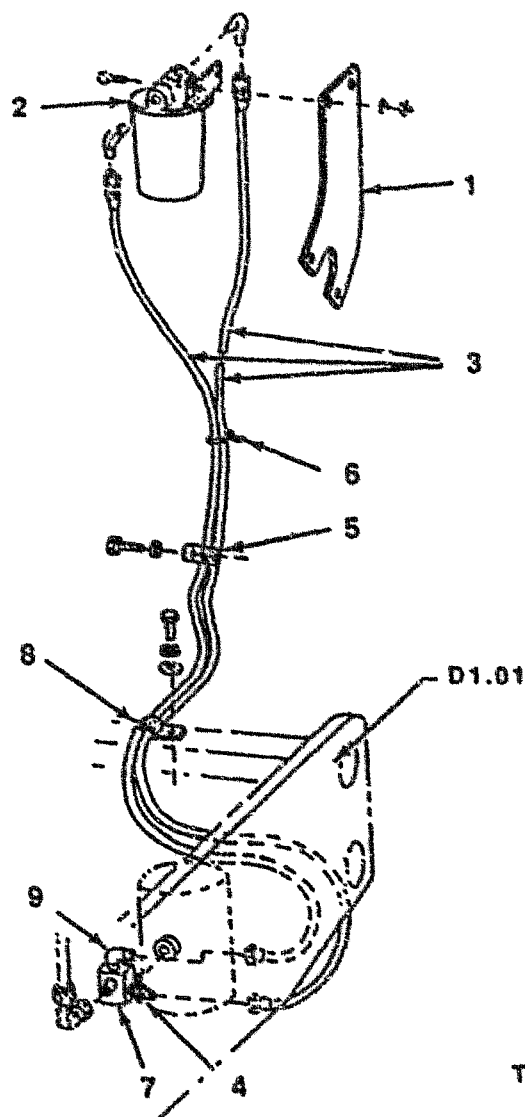
ITEM	PART NO.	QTY.	CODE	DESCRIPTION	DENOMINAZIONE
-	73059030	1	114S	RESERVOIR	SERBATOIO
			600L	INCLUDES ITEM(S)1-10	INCLUDE PARTIC.(1)
1	-----	1	10V	VALVE	VALVOLA
			600M	ORDER ITEM(S)11	ORDINARE PARTIC.
2	-----	1	100M	SPRING	MOLLA
			600M	ORDER ITEM(S)11	ORDINARE PARTIC.
3	-----	1	61S	RETAINER	SCODELLINO DI RITEGNO
			600M	ORDER ITEM(S)11	ORDINARE PARTIC.
4	73059055	1	10V	VALVE	VALVOLA
5	73048748	1	230S	BRACKET, MOUNTING	STAFFETTA FISSAGGIO
	70922262	2	40V	CAPSCREW, 3/8"NC X 7/8"	VITE
	70929156	2	131R	WASHER	ROSETTA
	70933623	2	10D	NUT, 3/8"NC	DADO
6	-----	1	133R	SEAL	GUARNIZIONE TENUTA
			600M	ORDER ITEM(S)11	ORDINARE PARTIC.
7	73059054	1	265C	COVER	COPERCHIO
	70927477	4	42V	SCREW, 5/16"	VITE
8	-----	1	133R	SEAL	GUARNIZIONE TENUTA
			600M	ORDER ITEM(S)11	ORDINARE PARTIC.
9	73048741	1	114S	RESERVOIR	SERBATOIO
10	70915514	1	151R	COCK, DRAIN	RUBINETTO DI SCARICO
11	73048750	-	500I	REPAIR KIT	CORREDO DI RIPAR.
			600L	INCLUDES ITEM(S)	INCLUDE PARTIC.(1)
				1-3,6,8	

T-7717B

USAGE: SPECIAL EQUIPMENT; USO: EQUIPAGGIAMENTO SPECIALE; USAGE: EQUIPEMENT SPECIAL;
 VERWENDUNG: SONDERAUSRUSTUNG; USO: EQUIPO ESPECIAL

FR11	ALCOHOL INJECTOR ASSY ANTICONGELATORE-COMPLESSIVO INJECTEUR D'ALCOOL ALKOHOLEINSPRITZER INYEKTOR DE ALCOHOL	6471	1

6471(2)



T-81405

ITEM	PART NO.	QTY.	CODE	DESCRIPTION	DENOMINAZIONE
1	73074799	1	230S	BRACKET, MOUNTING	STAFFETTA FISSAGGIO
	70922262	2	40V	CAPSCREW, 3/8"NC X 7/8"	VITE
	70929156	2	131R	WASHER	ROSETTA
	70933623	2	10D	NUT, 3/8"NC	DADO
2	-----	1	87S	INDICATOR(G461(1))	SEGNALATORE
	70921186	2	85G	ELBOW, 1/2"NPT	GOMITO
3	76006532	2	192T	HOSE	TUBO FLESSIBILE
4	70921184	1	20R	FITTING	RACCORDO
5	70928492	1	120M	CLAMP	MORSETTO COLLARE
	70677006	1	131R	WASHER	ROSETTA
6	04982514	1	501H	TIE	TIRANTE
7	76015017	1	20R	FITTING	RACCORDO
8	70927201	1	120M	CLAMP	MORSETTO COLLARE
	70927187	1	40V	CAPSCREW, 3/8"NC X 1"	VITE
9	70921186	1	85G	ELBOW, 1/2"NPT	GOMITO

USAGE: SPECIAL EQUIPMENT; USO: EQUIPAGGIAMENTO SPECIALE; USAGE: EQUIPMENT SPECIAL;
 VERWENDUNG: SONDERAUSRUSTUNG; USO: EQUIPO ESPECIAL

FR11

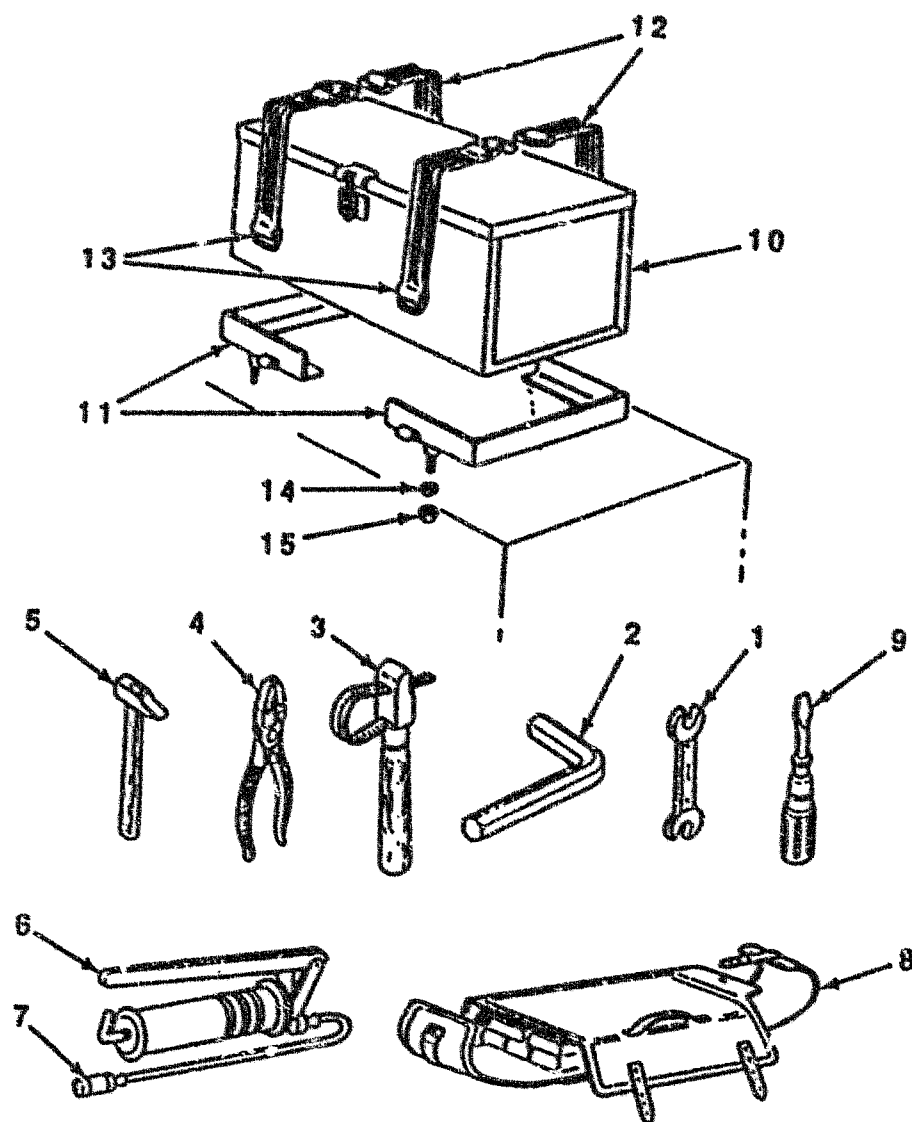
ALCOHOL INJECTOR & LINES
 ANTICONGELATORE E TUBAZIONI
 INJECTEUR D'ALCOOL ET CONDUITES
 ALKOHOLEINSPRITZER UND LEITUNGEN
 INYECTOR DE ALCOHOL Y TUBERIA

6471

2

REVISED OCTOBER 1990

H101



T-0865

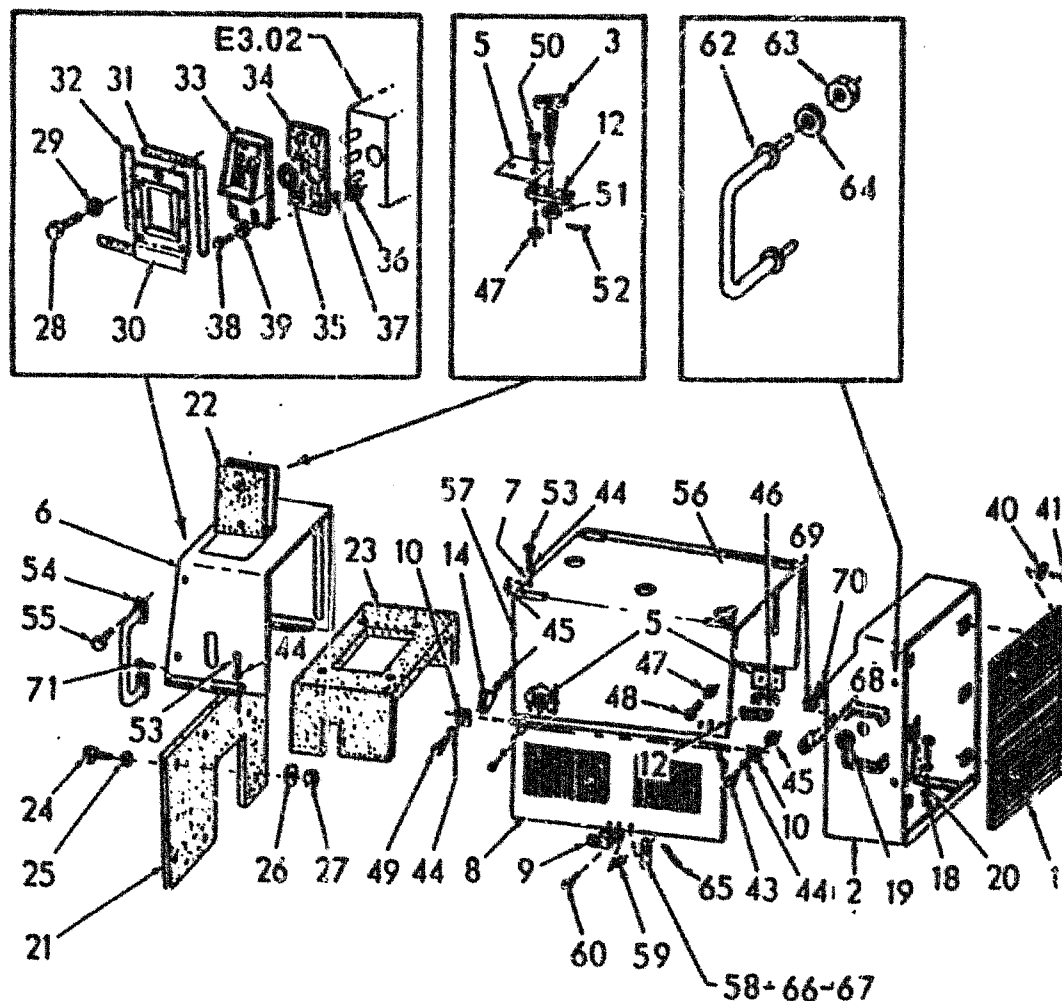
ITEM	PART NO.	QTY.	CODE	DESCRIPTION	DENOMINAZIONE
1	14522421	1	150C	WRENCH, 13 X 17	CHIAVE
	14525021	1	150C	WRENCH, 8 X 10	CHIAVE
2	14549579	1	150C	WRENCH, 12 X 14	CHIAVE
	14549879	1	150C	WRENCH, 19 X 22	CHIAVE
	14550079	1	150C	WRENCH, 24 X 27	CHIAVE
	14625979	1	150C	WRENCH, 12 X 132	CHIAVE
	14638079	1	150C	WRENCH, 8 X 105	CHIAVE
	14638179	1	150C	WRENCH, 10 X 110	CHIAVE
3	71304923	1	150C	WRENCH	CHIAVE
4	14626671	1	125P	PLIERS	PINZA
5	14582790	1	51H	HAMMER	MARTELLO
6	79028977	1	155P	PUMP	POMPA
	79028978	1	155P	PUMP	POMPA
	79028979	1	155P	PUMP	POMPA
	79028980	1	155P	PUMP	POMPA
7	79028981	1	192T	HOSE	TUBO FLESSIBILE
8	79062734	1	87C	BOX, TOOL	CASSETTA PER ATTREZZI
9	14589090	1	10C	SCREWDRIVER, 105 X 158	CACCIAVITE
	14526090	1	10C	SCREWDRIVER, 4.5 X 177	CACCIAVITE
	14626290	1	10C	SCREWDRIVER, 6.5 X 303	CACCIAVITE
10	76012507	1	87C	BOX, TOOL	CASSETTA PER ATTREZZI
11	76007665	2	300S	SUPPORT	SUPPORTO
12	79030150	2	172C	BELT, SECURING	CINGHIA DI FISSAGGIO
13	76007664	2	172C	BELT, SECURING	CINGHIA DI FISSAGGIO
14	12638501	4	131R	WASHER	ROSETTA
15	16100821	4	100	NUT	DADO

FR11

TOOLS
ATTREZZI
OUTILS
WERKZEUGE
HERRAMIENTAS

H101

REVISED OCTOBER 1990



T-85853

ITEM	PART NO.	QTY.	CODE	DESCRIPTION	DENOMINAZIONE
1	76010930	1	1010	GRILLE	GRIGLIA
2	76011769	1	300S	SUPPORT	SUPPORTO
3	73075752	1	20M	HANDLE	MANIGLIA
5	79058960	9	22B	LOCK	SERRATURA
6	76010904	1	177C	HOOD	COFANO
7	70739372	1	177C	HOOD	COFANO
8	73071603	1	50F	PANEL, SIDE	FIANCATA
			600A	LEFT	SINISTRO
	73071604	1	50F	PANEL, SIDE	FIANCATA
			600B	RIGHT	DESTRO
9	73075582	2	20M	HANDLE	MANIGLIA
10	73071349	4	140C	HINGE	CERNIERA
12	76012171	8	198S	SHIM, ADJUSTMENT	SPESSORE DI REGISTRO
14	76010917	2	105P	PLATE	PIASTRA
			600A	LEFT	SINISTRO
	76010918	2	105P	PLATE	PIASTRA
			600B	RIGHT	DESTRO
17	70921476	4	40V	CAPSCREW, 5/8"NC X 2-1/2"	VITE
18	70916589	4	100	NUT	DADO
19	70925425	2	45A	RING	ANELLO
20	70677010	8	131R	WASHER	ROSETTA
21	76010893	1	25P	PANEL	PANNELLO
22	76010903	1	25P	PANEL	PANNELLO
23	76010892	1	25P	PANEL	PANNELLO
24	10902821	16	40V	CAPSCREW, 6 X 1 X 30	VITE
25	10571571	16	132R	LOCKWASHER	ROSETTA DI SICUREZZA
26	12641301	16	131R	WASHER	ROSETTA
27	10725911	16	100	NUT	DADO
28	70927612	7	40V	CAPSCREW, 5/16"NC X 5/8"	VITE
29	70677005	7	131R	WASHER	ROSETTA
30	73072377	1	105P	PLATE	PIASTRA
31	79042979	2	133R	SEAL	GUARNIZIONE TENUTA
32	79042977	2	133R	SEAL	GUARNIZIONE TENUTA
33	73072378	1	105P	PLATE	PIASTRA
34	79042976	1	25P	PANEL	PANNELLO
35	79043032	1	45A	RING	ANELLO

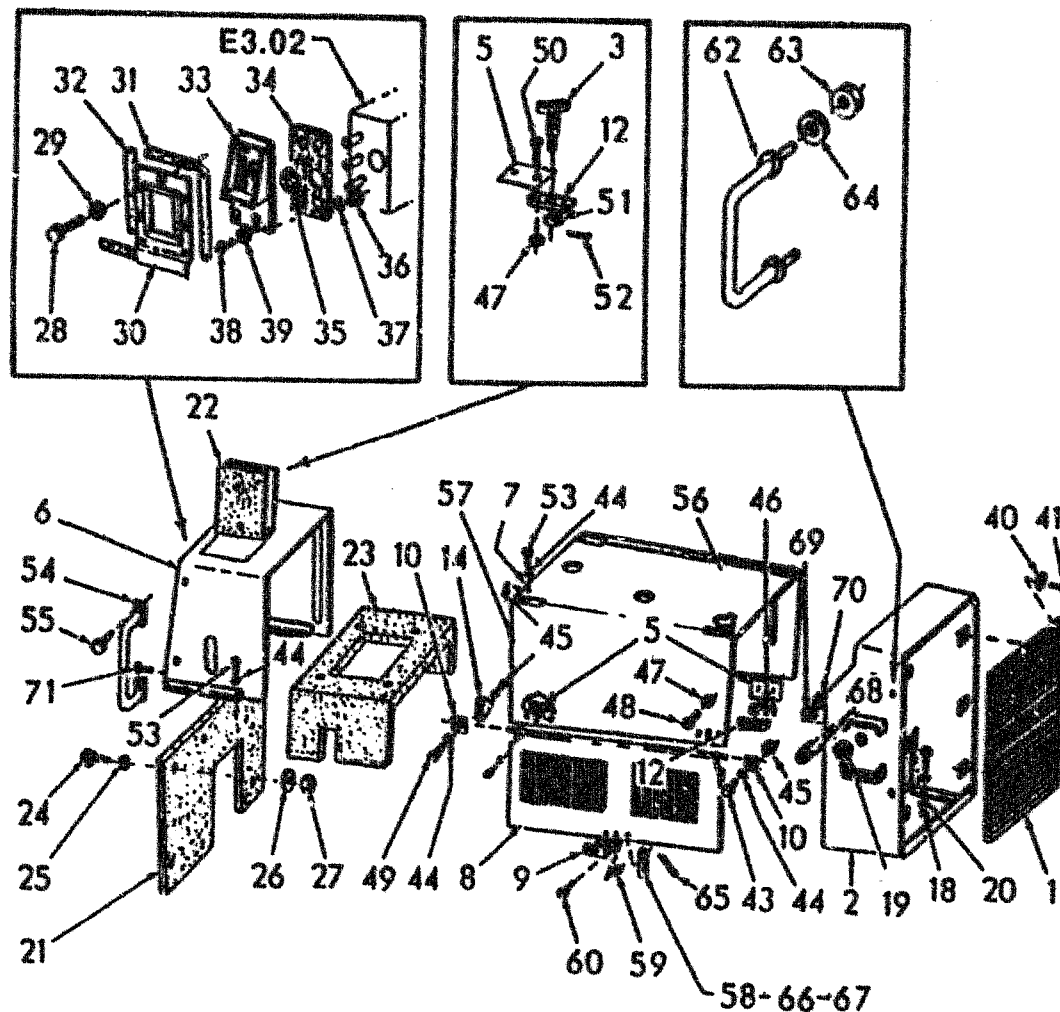
FR11

RADIATOR SUPPORT, HOOD & SIDE PANELS
 SUPPORTO RADIATORE, COFANATURA
 SUPPORT DU RADIATEUR, CAPOT ET PANNEAUX LATERAUX.
 KÜHLERABSTÜTZUNG, HAUBE UND SEITENBLECHE
 SOPORTE DEL RADIADOR, CAPO Y TAPAS LATERALES

L101

1

REVISED OCTOBER 1990



T-85353

ITEM	PART NO.	QTY.	CODE	DESCRIPTION	DENOMINAZIONE
36	10791011	2	100	NUT	DADO
37	12644301	2	131R	WASHER	ROSETTA
38	15970321	2	40V	CAPSCREW, 10 X 1.25 X 16	VITE
39	10571871	2	132R	LOCKWASHER	ROSETTA DI SICUREZZA
40	12644321	6	131R	WASHER	ROSETTA
41	70923701	6	40V	CAPSCREW	VITE
43	70921565	4	40V	CAPSCREW, 3/8"NC X 1-1/2"	VITE
44	70677006	4	132R	LOCKWASHER	ROSETTA DI SICUREZZA
45	70933623	6	100	NUT	DADO
46	76012170	10	196S	SHIM, ADJUSTMENT	SPESSORE DI REGISTRO
47	70933621	10	100	NUT	DADO
48	70927541	8	40V	CAPSCREW, 1/4"NC X 3/4"	VITE
49	70927157	4	40V	CAPSCREW, 3/8"NC X 1-3/8"	VITE
50	70933990	2	40V	CAPSCREW, 1/4"NC X 1/2"	VITE
51	70929247	1	131R	WASHER	ROSETTA
52	70904001	1	81P	PIN, SECURING	PERNO DI FISSAGGIO
53	70922763	6	40V	CAPSCREW, 3/8"NC	VITE
54	73052024	1	20M	HANDLE	HANIGLIA
55	16043331	2	40V	CAPSCREW, 8 X 1.25 X 18	VITE
56	76010910	1	177C	HOOD	COFANO
57	76010909	1	177C	HOOD	COFANO
58	76010707	2	80M	BRACKET	MENSOLA
59	70934724	4	100	NUT	DADO
60	70900505	4	40V	CAPSCREW, 10 32 X 5/8"	VITE
62	76011770	2	20M	HANDLE	HANIGLIA
63	11701721	4	100	NUT	DADO
64	12644301	4	131R	WASHER	ROSETTA
65	70918448	4	81P	PIN, SECURING	PERNO DI FISSAGGIO
66	10444711	2	40V	CAPSCREW	VITE
67	10794011	2	100	NUT	DADO
68	76009737	2	100C	U-BOLT	DADO
69	10571579	2	131R	LOCKWASHER	
70	15896211	2	100	NUT, M6 X 1	
71	16043231	2	40V	CAPSCREW, M8 X 18	

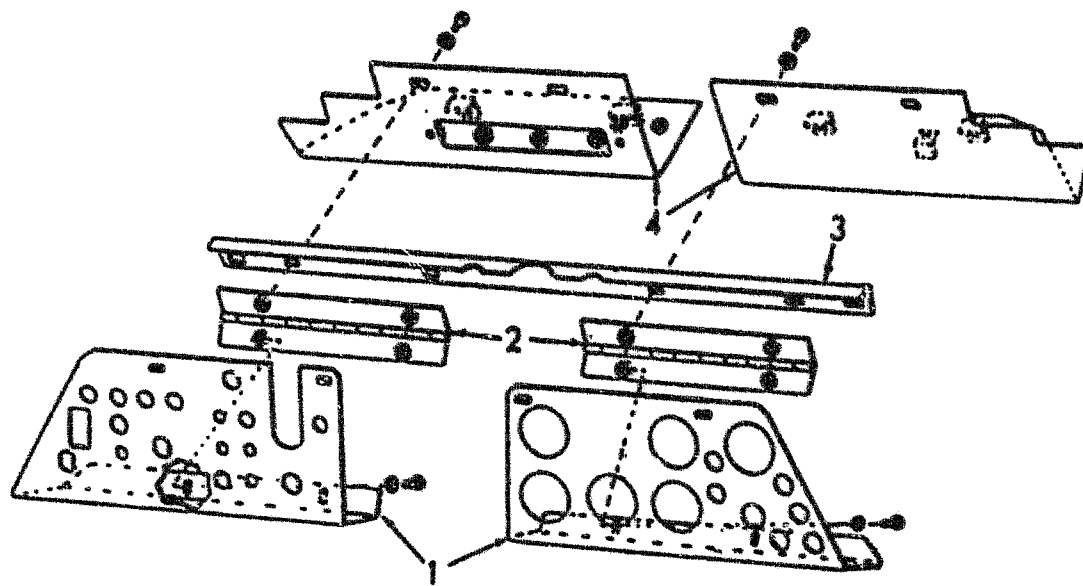
FR11

RADIATOR SUPPORT, HOOD & SIDE PANELS
 SUPPORTO RADIATORE, COFANATURA
 SUPPORT DU RADIATEUR, CAPOT ET PANNEAUX LATERAUX.
 KÜHLERABSTÜTZUNG, HAUBE UND SEITENBLECHE
 SOPORTE DEL RADIADOR, CAPO Y TAPAS LATERALES

L101

1

REVISED OCTOBER 1990



T-65332

ITEM	PART NO.	QTY.	LEX.	DESCRIPTION
1	-----	1	141P	PANEL, INSTRUMENT (L102(2))
			600A	LEFT
	-----	1	141P	PANEL, INSTRUMENT (L102(2))
			600B	RIGHT
	70928217	8	40V	CAPSCREW, 3/8"NC X 5/8"
	70934831	8	131R	WASHER
2	73071724	2	140C	HINGE
3	73071745	1	80M	BRACKET
	70927541	4	40V	CAPSCREW, 1/4"NC X 3/4"
	70677004	4	131R	WASHER
	70921565	2	40V	CAPSCREW, 3/8"NC X 1-1/2"
	70677006	2	131R	WASHER
4	76011356	1	300S	SUPPORT
			600B	RIGHT
	76011357	1	300S	SUPPORT
			600A	LEFT
			600X	PRIOR TO UNIT NO. 530249
	76015689	1	300S	SUPPORT
			600A	LEFT
			600Y	UNIT NO. 530249 AND UP

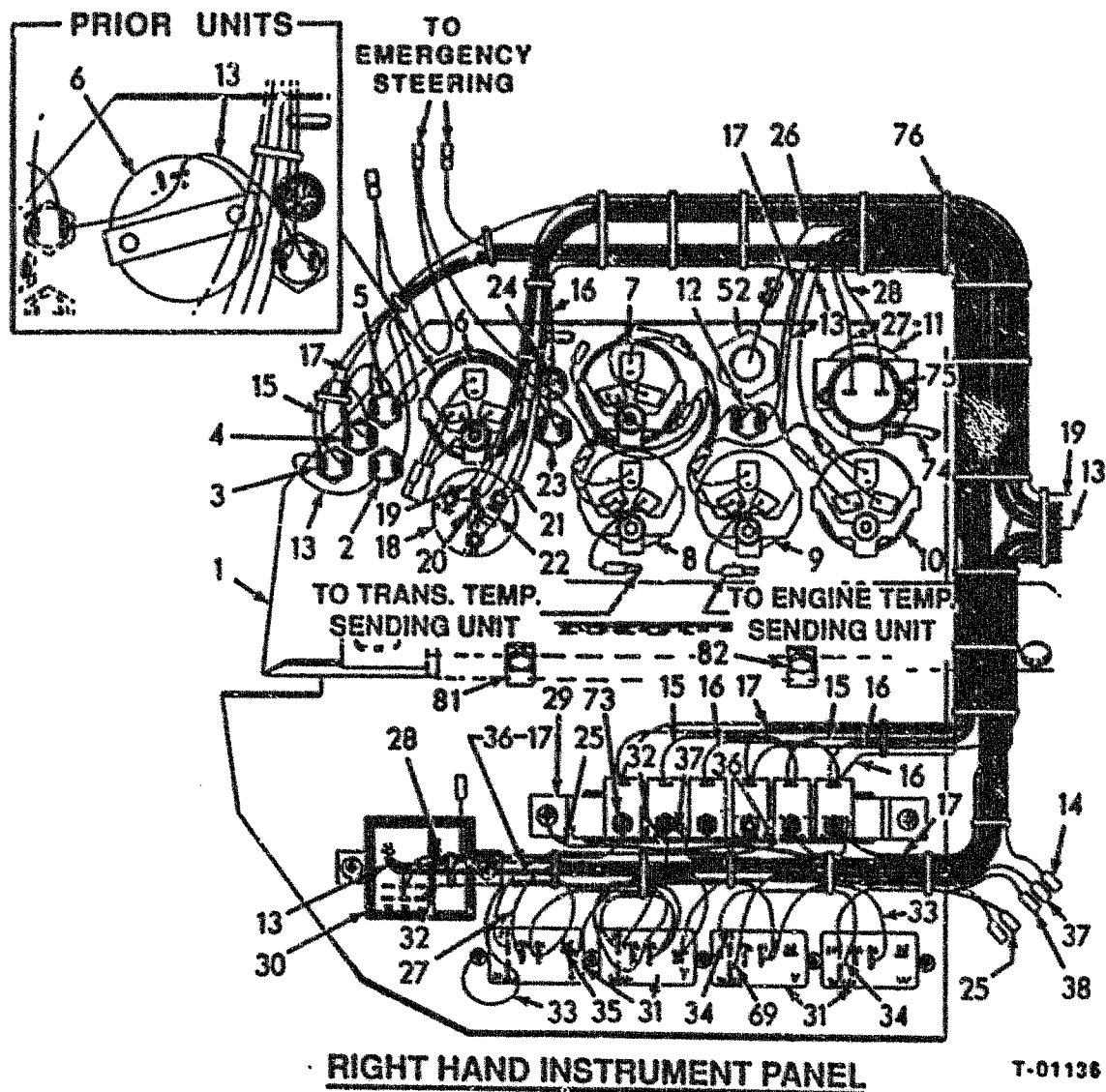
FR11

INSTRUMENT PANEL MOUNTING

L102

1

REVISED NOVEMBER 1990



ITEM	PART NO.	QTY.	LEX.	DESCRIPTION
1	76011247	1	141P 600B	PANEL, INSTRUMENT RIGHT
2	79062982	1	87S	INDICATOR, AIR CLEANER
3	79053529	1	87S	INDICATOR, PARKING BRAKE
4	79053526	1	87S	INDICATOR, AIR PRESSURE
5	79053527	1	87S	INDICATOR, BRAKE PRESS.
6	79038749	1	248C 600X	HOURLMETER (L102(3)) PRIOR TO UNIT NO. OR
	79052026	1	248C 600X	HOURLMETER (L102(3)) PRIOR TO UNIT NO.
	79026387	1	31I 600Y	GAUGE, FUEL LEVEL UNIT NO. AND UP
7	79067265	1	42M	GAUGE, OIL PRESSURE TRANSM.
8	79066168	1	98T	GAUGE, TEMPERATURE TRANSMISSION OIL
9	79066170	1	98T	GAUGE, TEMPERATURE ENGINE
10	79051200	1	42M	GAUGE, OIL PRESSURE ENGINE
11	79060274	1	41M	GAUGE, AIR PRESSURE
12	79057604	1	87S	INDICATOR, BATTERY
13	76011318	1	105F	CABLE, RED, GAUGE, INDICATOR & BUZZER CONNECTING ALSO POSITION #1 ON FUSE BLOCK (BLACK, GROUND TO RELAY "K" MOUNTING SCREW ON LEFT PANEL)
14	76010515	1	69F	WIRE (800MM) RED & WHITE, BRAKE PRESSURE INDICATOR TO MAIN CONNECTION
15	76010434	1	60F	WIRE (850MM) GREEN AND WHITE, PARKING BRAKE INDICA- TOR TO DIODE

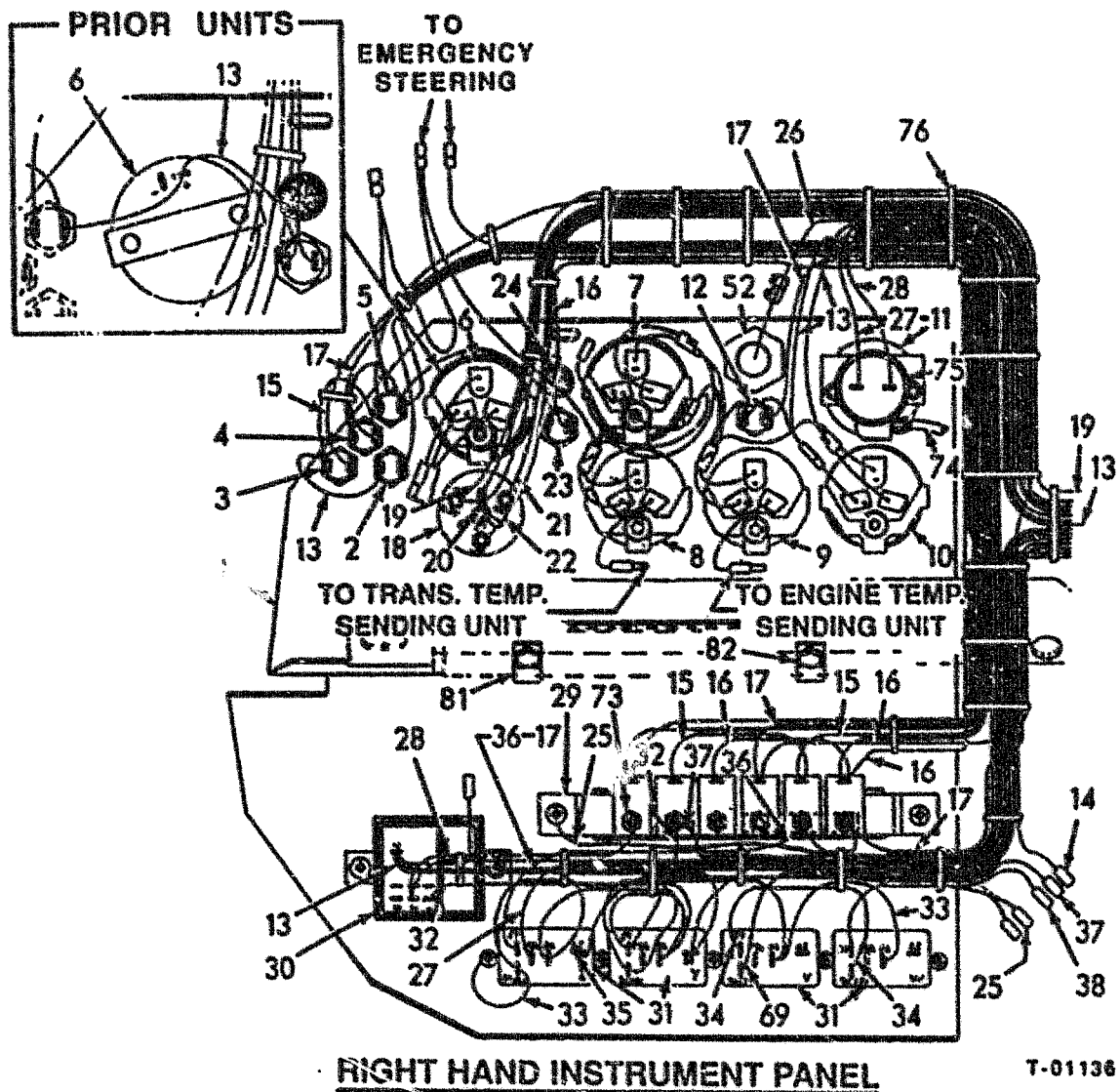
FR11

**INSTRUMENT PANEL
ELECTRICAL COMPONENTS**

L102

2

REVISED NOVEMBER 1990



ITEM	PART NO.	QTY.	LEX.	DESCRIPTION
16	76010433	1	60F	WIRE (750MM) BROWN AND WHITE, EMERGENCY STEERING INDICATOR TO DIODE
17	76010435	1	60F	WIRE (850MM) AZURE AND WHITE, AIR PRESSURE INDICATOR TO DIODE
			600X	PRIOR TO UNIT NO. 530249
	76015442	1	60F	WIRE, AIR PRESSURE INDICATOR TO AIR FILTER INDICATOR TO BATTERY INDICATOR TO DIODES & RELAY "Z"87
18	73077952	1	202C 601D	UNIT NO. 530249 AND UP SWITCH ASSY., IGNITION INCLUDES KEY(S)
	70928919	4	10D	NUT, #10NC
19	76010440	1	60F	WIRE (1050MM) WHITE, IGNITION SWITCH "BAT" TO FUSE BLOCK POSITION "G"
20	76010439	1	60F	WIRE (900MM) RED, IGNITION SWITCH "ST" TO STARTER RELAY (ORANGE 650MM STARTER RELAY TO RELAY "K" 85 TO FUSE BLOCK POSITION "N")
			600X	PRIOR TO UNIT NO. 530203
	76014948	1	60F	WIRE (1550MM) ORANGE (IGNITION) SWITCH "ST" TO RELAY "K" 85 TO FUSE BLOCK POSITION "N")
21	76010441	1	600Y 60F	UNIT NO. 530249 AND UP WIRE (1050MM) BROWN, IGNITION SWITCH "ACC" TO FUSE BLOCK POSITION "H"

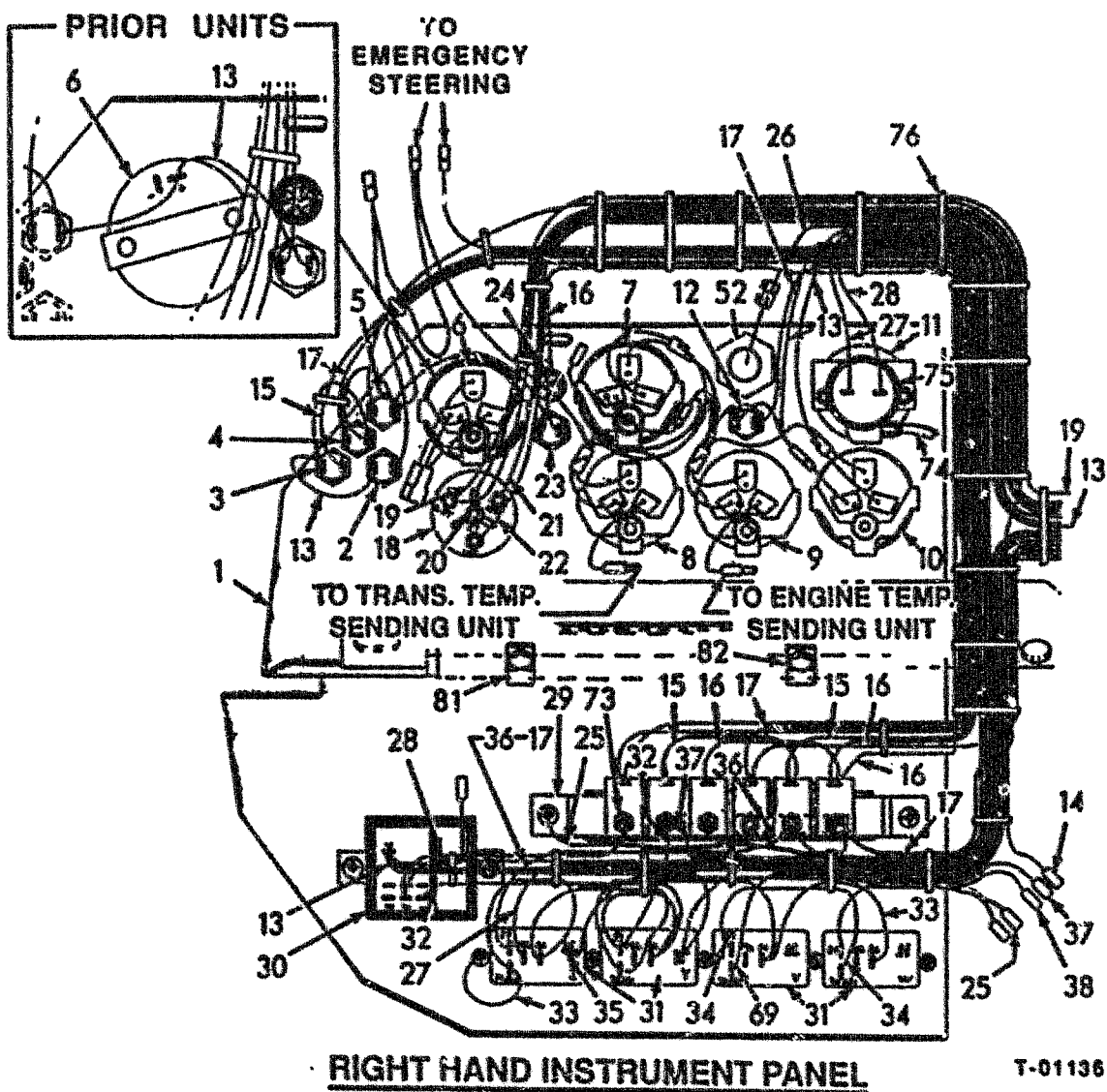
FR11

**INSTRUMENT PANEL
ELECTRICAL COMPONENTS**

L102

2

REVISED NOVEMBER 1990



ITEM PART NO. QTY. LEX. DESCRIPTION

22	7601320	1	60F	WIRE (1000MM) GREEN AND WHITE, IGNITION SWITCH "ING" TO FUSE BLOCK POSITION "A" TO MASTER SWITCH
23	79053530	1	87S	INDICATOR, EMERGENCY STEERING
24	76000609	1	50T	PLUG
25	76012271	1	60F	WIRE (2500MM) "#51" EMERGENCY STEERING PRESSURE SWITCH TO DIODE "D" TO GROUND
26	76011319	1	60F	WIRE (800MM) YELLOW AND BLACK, INSTRUMENT PANEL LIGHT TO FUSE BLOCK POSITION "5"
27	76011317	1	60F	WIRE (900MM) ORANGE AND WHITE, AIR PRESSURE GAUGE TO RELAY 2 "87/B"
28	76011316	1	60F	WIRE (1400MM) PINK AND YEL LOW, AIR PRESSURE GAUGE TO BUZZER TO DIODE
29	73075666	1	53D	DIODE
	13276011	2	42V	SCREW, M6 X 12
	10516471	2	131R	WASHER
30	73067263	1	84S	BUZZER
	13276211	2	42V	SCREW, M6 X 16
	10516471	2	131R	WASHER
31	a79060277	7	85T	RELAY
	13276211	1	42V	SCREW, M6 X 16
	13276011	6	42V	SCREW, M6 X 12
	10516471	8	131R	WASHER

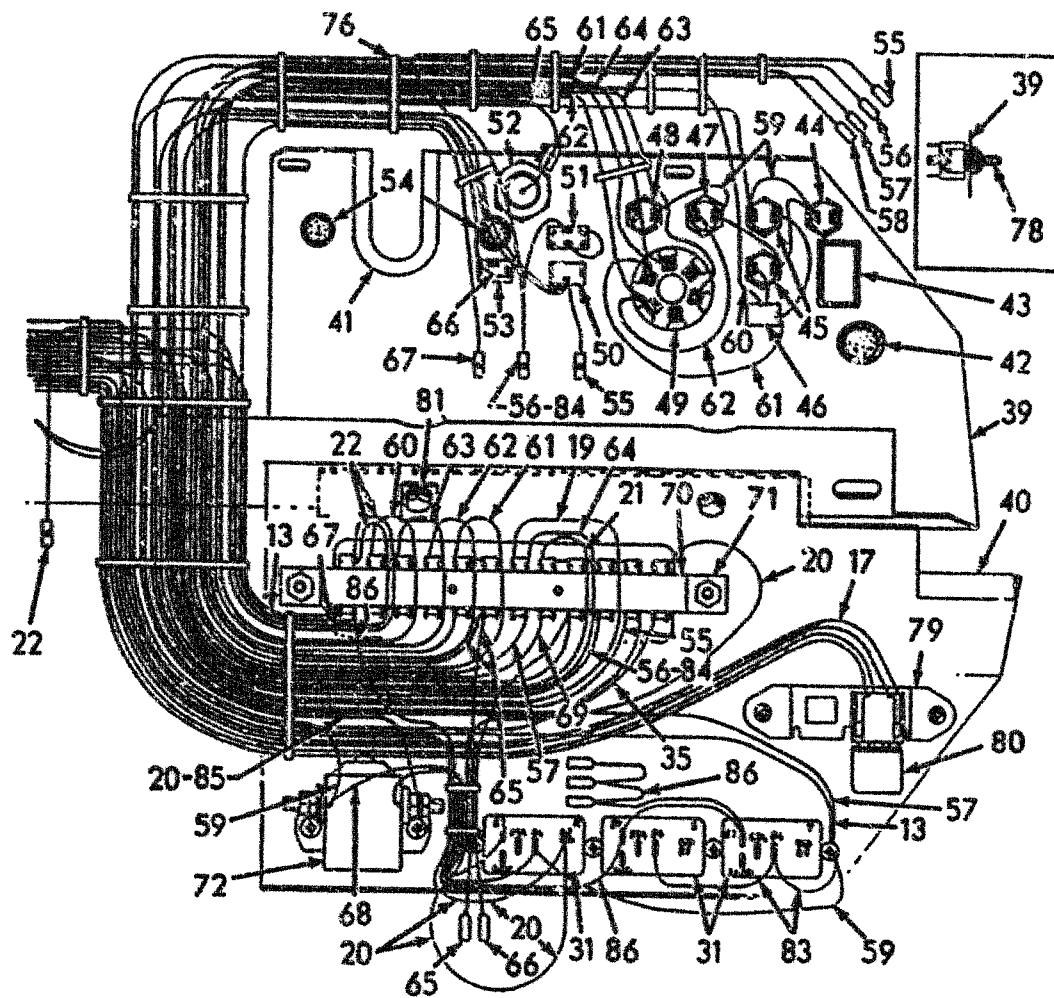
FR11

**INSTRUMENT PANEL
ELECTRICAL COMPONENTS**

L102

2

REVISED NOVEMBER 1990



LEFT HAND INSTRUMENT PANEL

T-01137

ITEM PART NO. QTY. LEX. DESCRIPTION

32	76010428	1	60F	WIRE (730MM) BLACK AND VIOLET BUZZER TO RELAY "86" AND "87" TO DIODE
33	76010429	1	60F	WIRE (750MM) BLACK, RELAY "Z""Y""V""W" CONNECTING TO GROUND
34	76010430	1	60F	WIRE (150MM) GRAY, RELAY "V" 87 TO RELAY "W" 30/51
35	76010427	1	60F	WIRE (1150MM) BROWN, RELAY "Z" 85 TO FUSE BLOCK POSITION "12"
36	76010426	1	60F	WIRE (450MM) ORANGE AND BLACK, RELAY "Z" TO DIODE
			600X	PRIOR TO UNIT NO. 530249
37	76010523	1	60F	WIRE (800MM) BLACK AND VIOLET DIODE TO MAIN CONNECTION
38	76010516	1	60F	WIRE (600MM) WHITE, RELAY "W" 87 TO MAIN CONNECTION
39	76011336	1	141P	PANEL, INSTRUMENT
			600A	LEFT
40	-----	-	129G	TRIMMING (53MM)
			600M	ORDER ITEM(S) 77
41	-----	-	129G	TRIMMING (220MM)
			600M	ORDER ITEM(S) 77
42	79034082	1	50T	PLUG (NOT USED WITH TURN SIGNAL SWITCH)
43	79035411	1	50T	PLUG (NOT USED WITH HAZARD WARNING SWITCH) (F401/2)
44	79056429	1	87S	INDICATOR, HAZARD WARNING LIGHT
45	79053522	2	87S	INDICATOR, REAR FLOOD LIGHTS AND POSITION LIGHTS

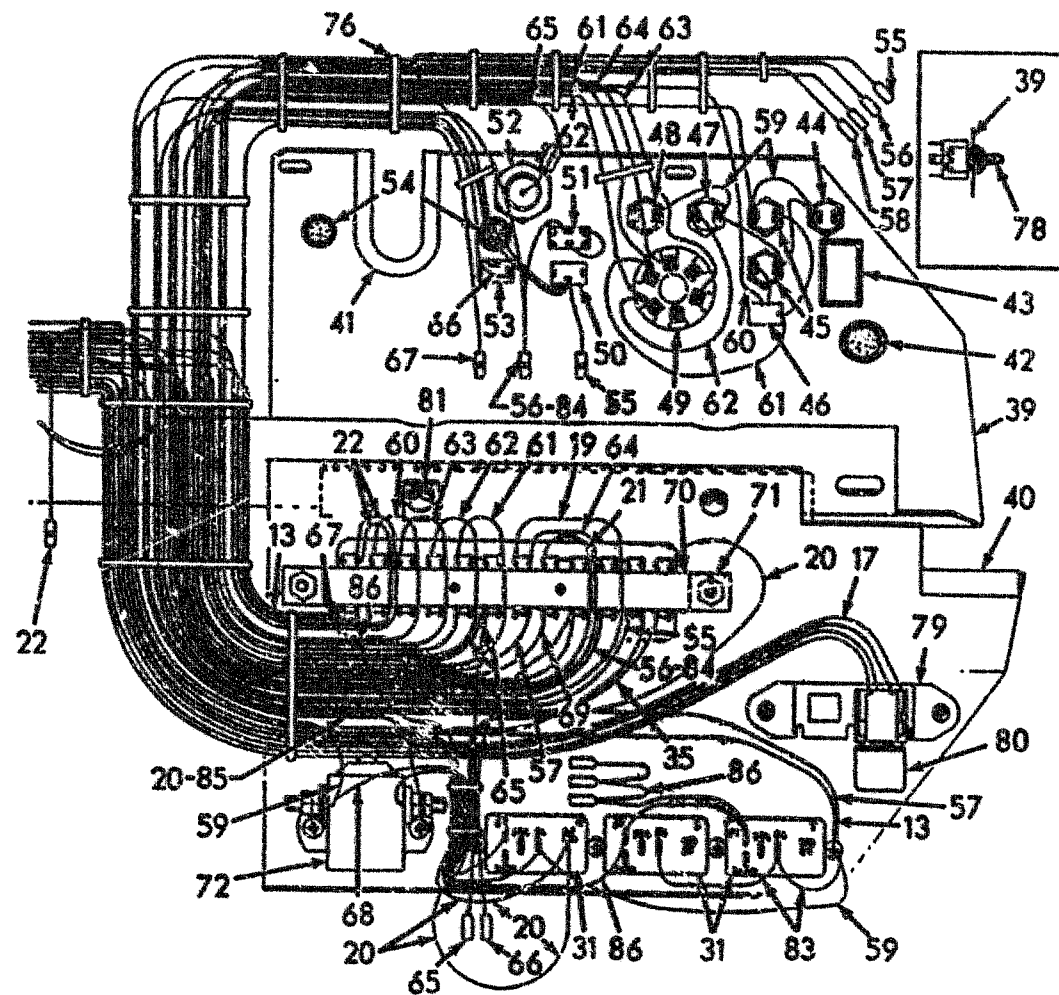
FR11

**INSTRUMENT PANEL
ELECTRICAL COMPONENTS**

L102

2

REVISED NOVEMBER 1990



LEFT HAND INSTRUMENT PANEL

T-01137

ITEM PART NO. QTY. LEX. DESCRIPTION

ITEM	PART NO.	QTY.	LEX.	DESCRIPTION
46	79056891	1	75I	SWITCH, REAR FLOODLIGHT
47	79053520	1	87S	INDICATOR, HEAD LIGHT
48	79053523	1	87S	INDICATOR, TURN SIGNAL
49	79057306	1	75I	SWITCH, LIGHT
50	79056898	1	75I	SWITCH, REAR WIPER
51	79056898	1	75I	SWITCH, FRONT WIPER
			600R	PRIOR TO UNIT NO. 530156
	79079745	1	75I	SWITCH, FRONT WIPER
			600Y	UNIT NO. 530156 AND UP
52	-----	2	116G	LIGHT ASSY., INSTRUMENT PANEL (F629(4))
53	79056891	1	75I	SWITCH, CAB LIGHT
54	76000609	2	50T	PLUG (NOT USED WITH FRONT & REAR WINDOW WASHERS (F505(3)))
55	76010452	1	60F	WIRE (1000MM) RED & BLACK REAR WIPER SWITCH POSITION #2 TO FUSE BLOCK #11 TO CAB HARNESS; ALSO TO ROTATING BECON SWITCH
56	76010453	1	60F	WIRE (1050MM) RED & GREEN FRONT WIPER SWITCH TO CAB HARNESS FUSE BLOCK POSITION #10; ALSO TO FRONT AND REAR WINDOW WASHER WIRE (F505(3))
			600X	PRIOR TO UNIT NO. 530249
	76013234	1	60F	WIRE (600MM) ORANGE & BLACK (CAB HARNESS TO FUSE BLOCK 11)
			600Y	UNIT NO. 530249 AND UP

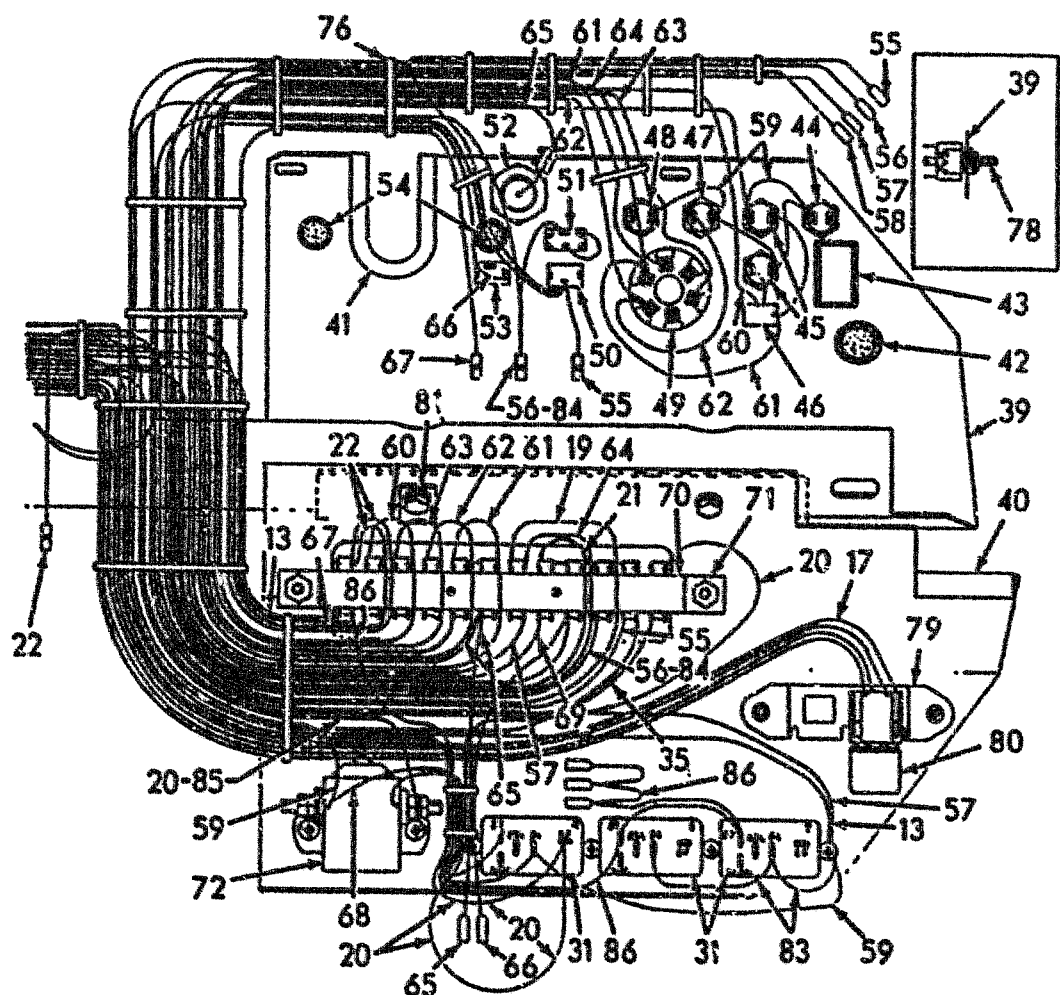
FR11

**INSTRUMENT PANEL
ELECTRICAL COMPONENTS**

L102

2

REVISED NOVEMBER 1990



LEFT HAND INSTRUMENT PANEL

ITEM PART NO. QTY. LEX. DESCRIPTION

57	76010531	1	60F	WIRE (550MM) BLACK, GROUNDING CAB HARNESS TO RELAY "K" MOUNTING SCREW
58	76010532	1	60F	WIRE (600MM) WHITE, CAB HARNESS TO FUSE BLOCK POSITION #7
59	76010443	1	60F	WIRE (2150MM) BLACK, INDICATOR CONNECTING TO BATTERY RELAY TO RELAY "K" 86 TO GROUND
			600X	PRIOR TO UNIT NO. 530249
	76011363	1	60F	WIRE (1550MM) BLACK (INDICATOR CONNECTIONS TO STARTER RELAY TO RELAY "K" 86 TO GROUND
			600Y	UNIT NO. 530249 AND UP
60	76010446	1	60F	WIRE (850MM) YELLOW AND BLACK, REAR FLOOD LIGHT INDICATOR TO REAR FLOOD LIGHT SWITCH TO FUSE BLOCK "B"
61	76011366	1	60F	WIRE (1050MM) GRAY AND BLACK, FRONT LIGHT INDICATOR TO REAR FLOOD LIGHT SWITCH TO LIGHT SWITCH "57/58" TO FUSE BLOCK POSITION "E"
62	76010448	1	60F	WIRE (850MM) GREEN, HEAD LIGHT INDICATOR TO LIGHT SWITCH "56A" TO FUSE BLOCK "D"
63	76010447	1	60F	WIRE (700MM) GREY, LIGHT SWITCH "56B" TO FUSE BLOCK "C"

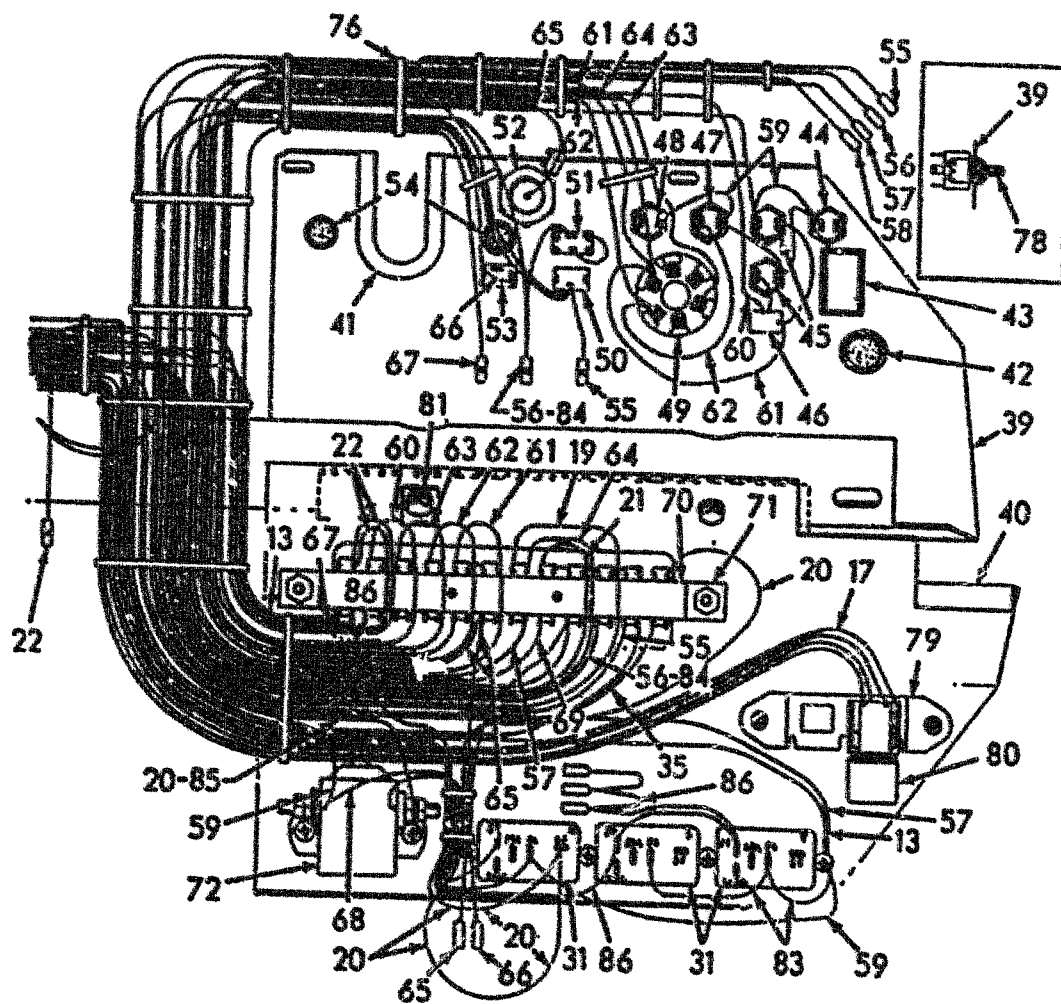
FR11

**INSTRUMENT PANEL
ELECTRICAL COMPONENTS**

L102

2

REVISED NOVEMBER 1990



LEFT HAND INSTRUMENT PANEL

T-01137

ITEM	PART NO.	QTY.	LEX.	DESCRIPTION
64	76010450	1	60F	WIRE (750MM) WHITE, LIGHT SWITCH "30" TO FUSE BLOCK POSITION "G"
65	76011369	1	60F	WIRE (92CM) YELLOW, INSTRUMENT PANEL LIGHT TO FUSE BLOCK POSITION "6" TO TACHOMETER
66	76010454	1	60F	WIRE (900MM) WHITE & RED, CAB LIGHT SWITCH POSITION #3 TO FUSE BLOCK. POSITION #9 TO TACHOMETER
67	76010458	1	60F	WIRE (500MM) AZURE AND WHITE COLD WEATHER START SWITCH (A243) TO FUSE BLOCK POSITION #1
68	76010442	1	60F	WIRE (200MM) GREEN, STARTER RELAY TO RELAY "K" 87
69	76010432	1	60F	WIRE (900MM) GRAY & RED, FUSE BLOCK POSITION #8 TO RIGHT INSTRUMENT PANEL RELAY "V" 30/51
70	79057297	1	110F	FUSE BLOCK
	13272617	2	42V	SCREW, M4 X 25
	14496421	2	131R	WASHER
71	76009349	1	230S	BRACKET, MOUNTING
	13276011	2	42V	SCREW, M6 X 12
	10516471	2	131R	WASHER
72	79060328	1	85T	RELAY, STARTER
	13276011	2	42V	SCREW, M6 X 12
	10516471	2	131R	WASHER
73	70928919	4	10D	NUT, #10NC

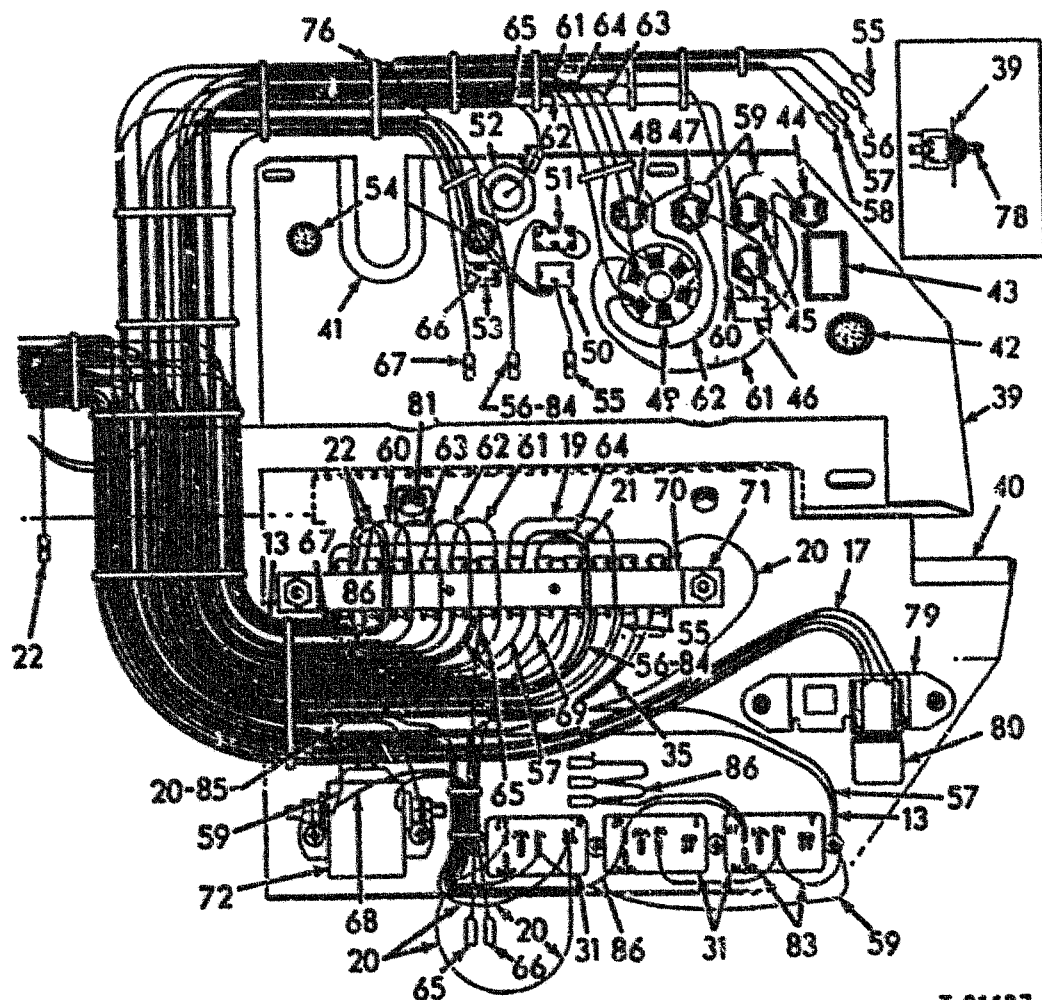
FR11

**INSTRUMENT PANEL
ELECTRICAL COMPONENTS**

L102

2

REVISED NOVEMBER 1990



LEFT HAND INSTRUMENT PANEL

T-01137

ITEM	PART NO.	QTY.	LEX.	DESCRIPTION
74	73059072	1	206T	TUBE, AIR PRESS. GAUGE
	70920992	1	16R	TEE, 1/8"
	76007914	1	99B	BUSHING, THREADED, 1/4" TO 1/8"
	70911015	1	85G	ELBOW, 1/4"
	79060000	1	75I	SWITCH, AIR PRESSURE
75	79013422	-	501H	TIE
			600P	AS REQUIRED
76			129G	TRIMMING (25')
			600P	AS REQUIRED
77	70731647	-	330C	BOOT, TAGGLE SWITCH (INCLUDES NUT)
			330C	
78	79056394	4	230S	BRACKET
			600Y	UNIT NO. 530249 AND UP
79	79068201	1	42V	SCREW
			132R	LOCKWASHER
80	13276011	2	53D	DIODE
	10516471	2	89G	CLIP
81	79083312	1	89G	CLIP
	10450490	2	60F	WIRE GROUND
82	10450690	1	600Y	UNIT NO. 530305
	76013516	1	60F	WIRE (800MM) RED & GREEN (FRONT WIPER SWITCH TO REAR WASHER CONNECTION TO FUSE BLOCK POSITION 10)
83			600Y	UNIT NO. 530249 AND UP
			60F	WIRE (900MM) RED (IGNITION SWITCH "BAT" TO STARTER RELAY
84	76013235	1	600Y	UNIT NO. 530249 AND UP
			60F	WIRE (1400MM) RED & BLUE (BOOM HARNESS CONNECTION TO RELAY "T" 87 TO RELAY "S" TO FUSE BLOCK POSITION 1 TO GROUND
85	76014947	1	600Y	UNIT NO. 530249 AND UP
			60F	WIRE (900MM) RED (IGNITION SWITCH "BAT" TO STARTER RELAY
86			600Y	UNIT NO. 530249 AND UP
	76013515	1	60F	WIRE (1400MM) RED & BLUE (BOOM HARNESS CONNECTION TO RELAY "T" 87 TO RELAY "S" TO FUSE BLOCK POSITION 1 TO GROUND
			600Y	UNIT NO. 530305 AND UP

a. TWO LESS USED PRIOR TO 530305

FR11

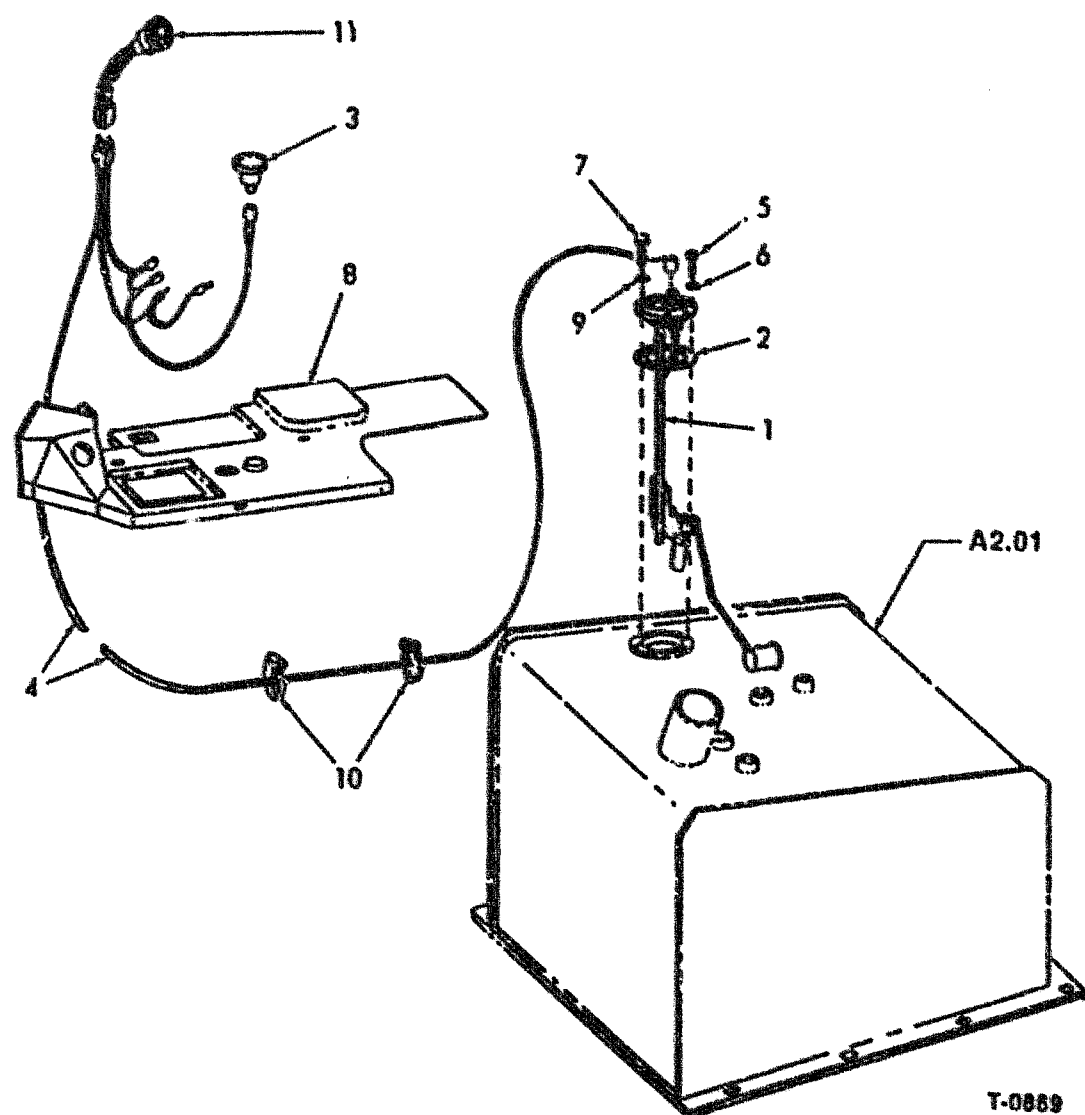
**INSTRUMENT PANEL
ELECTRICAL COMPONENTS**

L102

2

REVISED NOVEMBER 1990

L102(3)

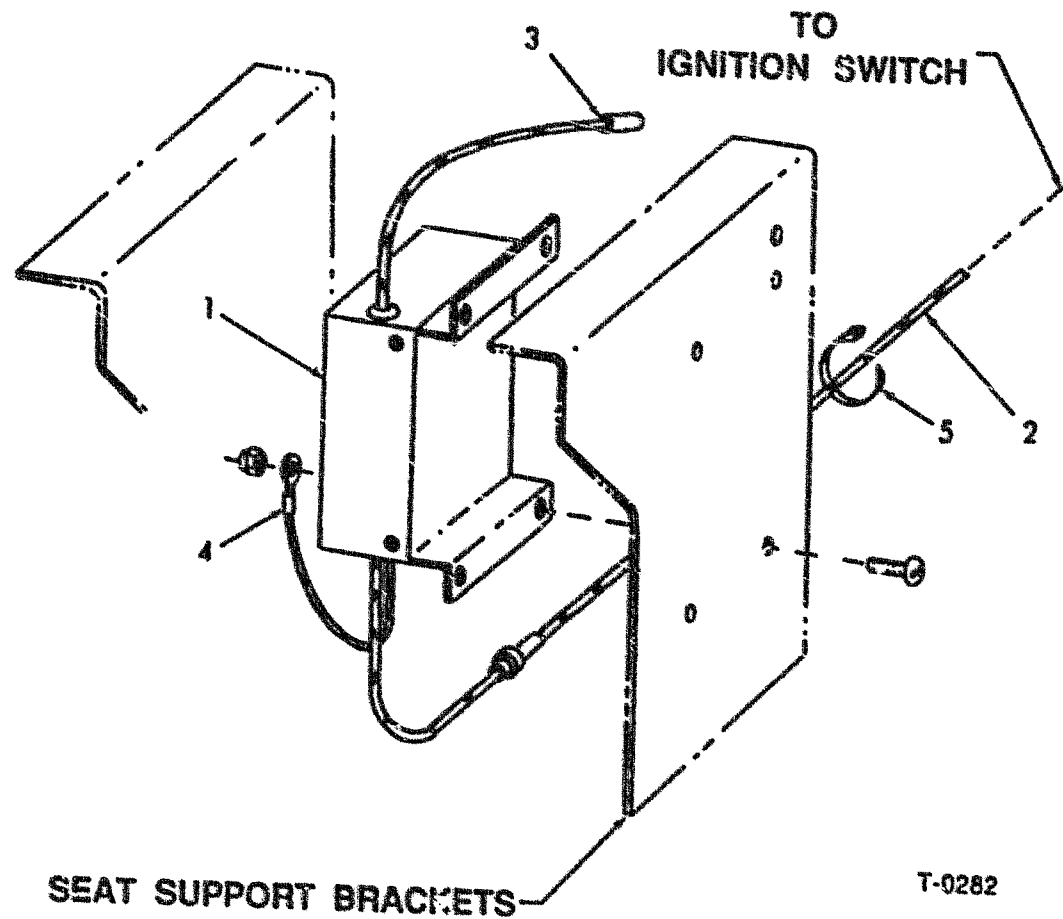


ITEM	PART NO.	QTY.	CODE	DESCRIPTION	DEMONIAZIONE
1	79070840	1	200	FLOAT	GALLEGGIANTE
2	79031103	1	123G	GASKET	GUARNIZIONE FRENO
3	79038749	1	248C	HOURMETER OR 79052026	CONTAORE
4	76017099	1	111C	CABLE, ELECTRIC	CAVO ELETTRICO
5	10448631	5	40V	CAPSCREW, M4 X 12	VITE
6	10519201	5	132R	LOCKWASHER	ROSETTA DI SICUREZZA
7	10902231	1	40V	CAPSCREW, M6 X 16	VITE
8	76013287	1	116R	PLATING	RIVESTIMENTO METALLICO
9	10519401	1	132R	LOCKWASHER	ROSETTA DI SICUREZZA
10	79013422	7	31F	STRAP, BINDING	FASCETTA
11	79026387	1	311	GAUGE, LEVEL	INDICATORE LIVELLO

USAGE: Unit S/N 530338 and up

FR11	INSTRUMENT PANEL & GAUGES PANNELLO STRUMENTI TABLEAU DE BORD ET INSTRUMENTS ARMATURENBRETT UND ANZEIGEGERATE TABLERO Y INSTRUMENTOS	L102	3
		REVISED OCTOBER 1990	

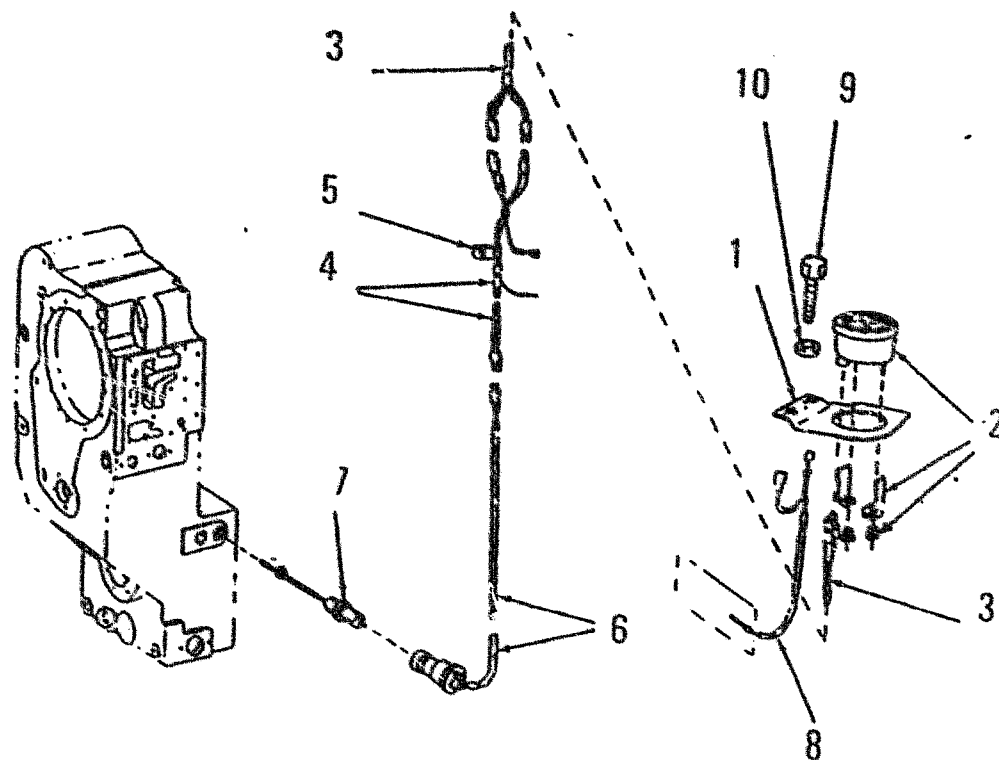
L102/2



ITEM	PART NO.	QTY.	CODE	DESCRIPTION	DENOMINAZIONE
1	73155498	1	258C	CONVERTER, CURRENT	CONVERTITORE CORR.
	70922026	4	40Y	CAPSCREW, "D.H.D. #10-24 X 5/8"	VITE
	70926673	4	100	NUT, #10	DADO
2	73155497	1	60F	WIRE, KEY SWITCH	FILO
3	70928630	1	75B	CONNECTOR	BLOCCHETTO CONNESSIONE
4	70928628	1		EYELET	
5	70196765	-		50141 TIE 600 PWS REQUIRED	

USAGE: SPECIAL EQUIPMENT; USO: EQUIPAGGIAMENTO SPECIALE; USAGE: EQUIPEMENT SPECIAL;
 VERWENDUNG: SONDERAUSRUSTUNG; USO: EQUIPO ESPECIAL

FR11	POWER CONVERTER	L102/2
		REVISED OCTOBER 1990



ITEM	PART NO.	QTY.	CODE	DESCRIPTION	DEGNOMINAZIONE
1	76009913	1	105P	PLATE	PIASTRA
2	76009417	1	16T	SPEEDOMETER	TACHIMETRO
3	76007241	1	105F	CABLE	FUNE
4	76007242	1	105F	CABLE	FUNE
5	04982514	6	890	CLIP	GRAFFETTA
6	76007590	1	160T	SENDING UNIT	TRASMETTITORE
7	76007938	1	30T	PLUG	TAPPO
8	76008129	1	105F	CABLE	FUNE
9	10902021	2	40V	CAPSCREW, 6X1X12	VITE
10	10516471	2	131R	WASHER	ROSETTA

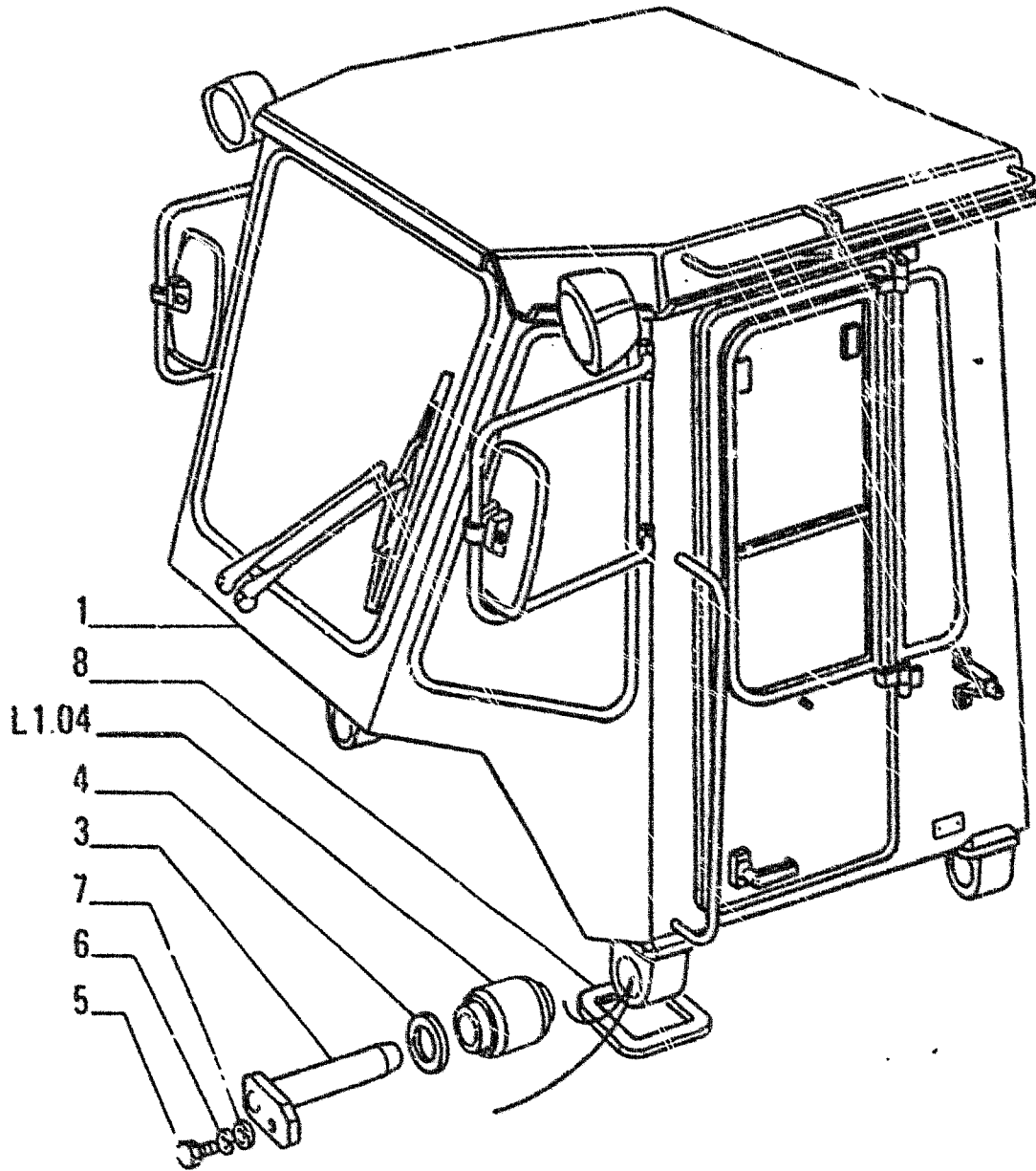
FR11

SPEEDOMETER & DRIVE
 SEGNALAZIONE VELOCITA E SUO COMANDO
 COMPTEUR DE VITESSE ET SA COMMANDE
 TACHOMETER UND SEIN ANTRIEB
 VELOCIMETRO Y SU ARRASTRE

L102/3

Added August 1988

L103/1



ITEM	PART NO.	QTY.	CODE	DESCRIPTION	DENOMINAZIONE
1	76012379	1	8C	CAB(L104)	CABINA
3	79042272	4	80P	PIN	PERNO
4	70912299	4	131R	WASHER	ROSETTA
5	70922262	4	40V	CAPSCREW	VITE
6	10571879	4	132R	LOCKWASHER	ROSETTA DI SICUREZZA
7	12638601	4	131R	WASHER	ROSETTA
8	76014467	4	133R	SEAL	GUARNIZIONE TENUTA

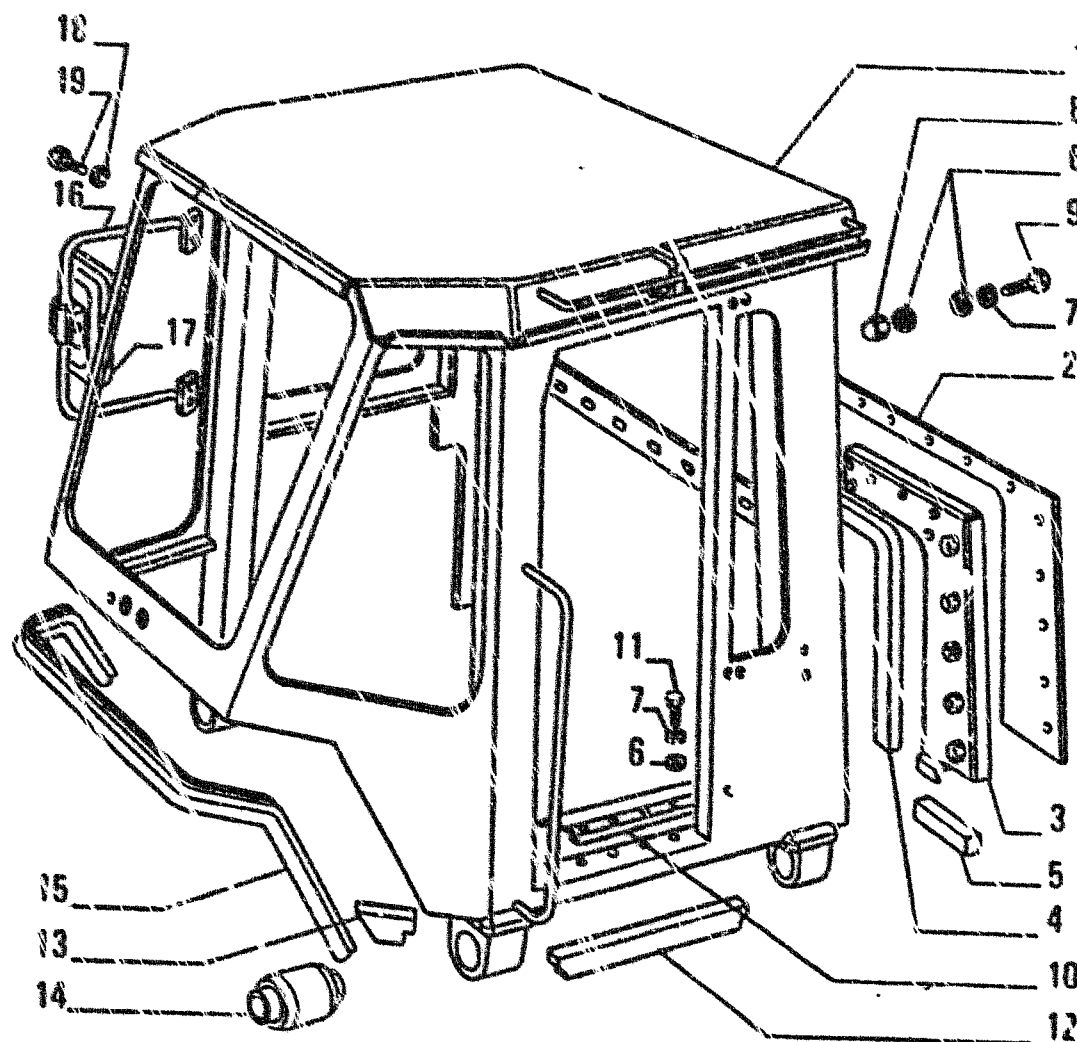
FR11

CAB
 CABINA
 CABINE
 KABINE, FAHRER
 CABINA

L103/1

Revised August 1988

L104(1)



ITEM	PART NO.	QTY.	CODE	DESCRIPTION	DENOMINAZIONE
1	76012974	1	280	STRUCTURE	OSSATURA
2	79047329	1	1150	GUARD	PROTEZIONE
3	79047327	1	1156	GUARD, RIGHT	PROTEZIONE
	79047328	1	1156	GUARD, LEFT	PROTEZIONE
4	79047325	1	1236	GASKET	GUARNIZIONE DI TENUTA
5	79047326	2	1236	GASKET	GUARNIZIONE DI TENUTA
6	12643701	37	131R	WASHER	ROSETTA
7	10571579	24	132R	LOCKWASHER	ROSETTA DI SICUREZZA
8	14054511	8	10D	NUT	DADO
9	10903431	18	40V	CAPSCREW	VITE
10	79044670	1	1156	GUARD	PROTEZIONE
11	10902231	6	40V	CAPSCREW	VITE
12	79044788	2	1236	GASKET	GUARNIZIONE DI TENUTA
13	79044787	2	1236	GASKET	GUARNIZIONE DI TENUTA
14	79045180	4	95B	BUSHING	BOCCOLA
15	76008276	1	1296	TRIMMING	GUARNIZIONE ESTETICA
16	76008284	2	300S	SUPPORT	SUPPORTO
17	76008003	2	185S	MIRROR, REAR VIEW	SPECCHIO RETROVISORE
18	10571779	8	132R	LOCKWASHER	ROSETTA DI SICUREZZA
19	16043031	8	40V	CAPSCREW	VITE

FR11

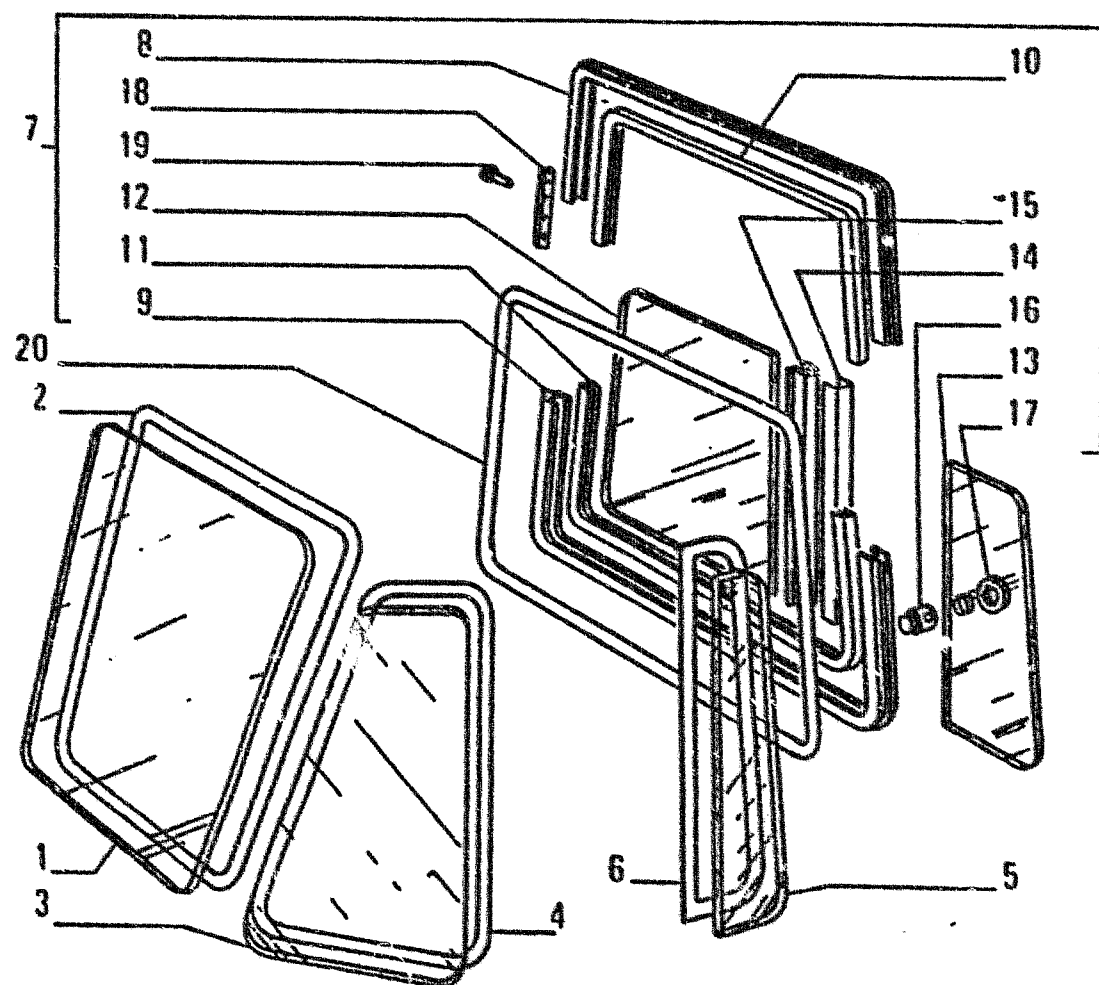
CAB
 CABINA
 CABINE
 KABINE, FAHRER
 CABINA

L104

1

REVISED OCTOBER 1990

L104(2)



ITEM	PART NO.	QTY.	CODE	DESCRIPTION	DENOMINAZIONE
1	73072574	1	38V	GLASS, FRONT	VETRO
2	79045216	1	133R	SEAL	GUARNIZIONE TENUTA
3	73072575	2	38V	GLASS, SIDE FRONT	VETRO
4	79045217	2	133R	SEAL	GUARNIZIONE TENUTA
5	73138564	2	38V	GLASS	VETRO
6	76008158	2	133R	SEAL	GUARNIZIONE TENUTA
7	76013011	1	38V	GLASS	VETRO
8	76013430	1	129G	TRIMMING	GUARNIZIONE ESTETICA
9	76013431	1	129G	TRIMMING	GUARNIZIONE ESTETICA
10	79051035	1	123G	GASKET	GUARNIZIONE DI TENUTA
11	79051036	1	123G	GASKET	GUARNIZIONE DI TENUTA
12	76013013	1	38V	GLASS	VETRO
13	76013012	1	38V	GLASS	VETRO
14	79051039	1	50C	CHANNEL	CANALE
15	79051040	1	123G	GASKET	GUARNIZIONE DI TENUTA
16	79046604	1	20H	HANDLE	MANIGLIA
17	79051055	1	131R	WASHER	ROSETTA
18	79050736	2	105P	PLATE	PIASTRA
19	14641292	8	55R	RIVET	RIBATTINO
20	79045218	1	133R	SEAL	GUARNIZIONE TENUTA

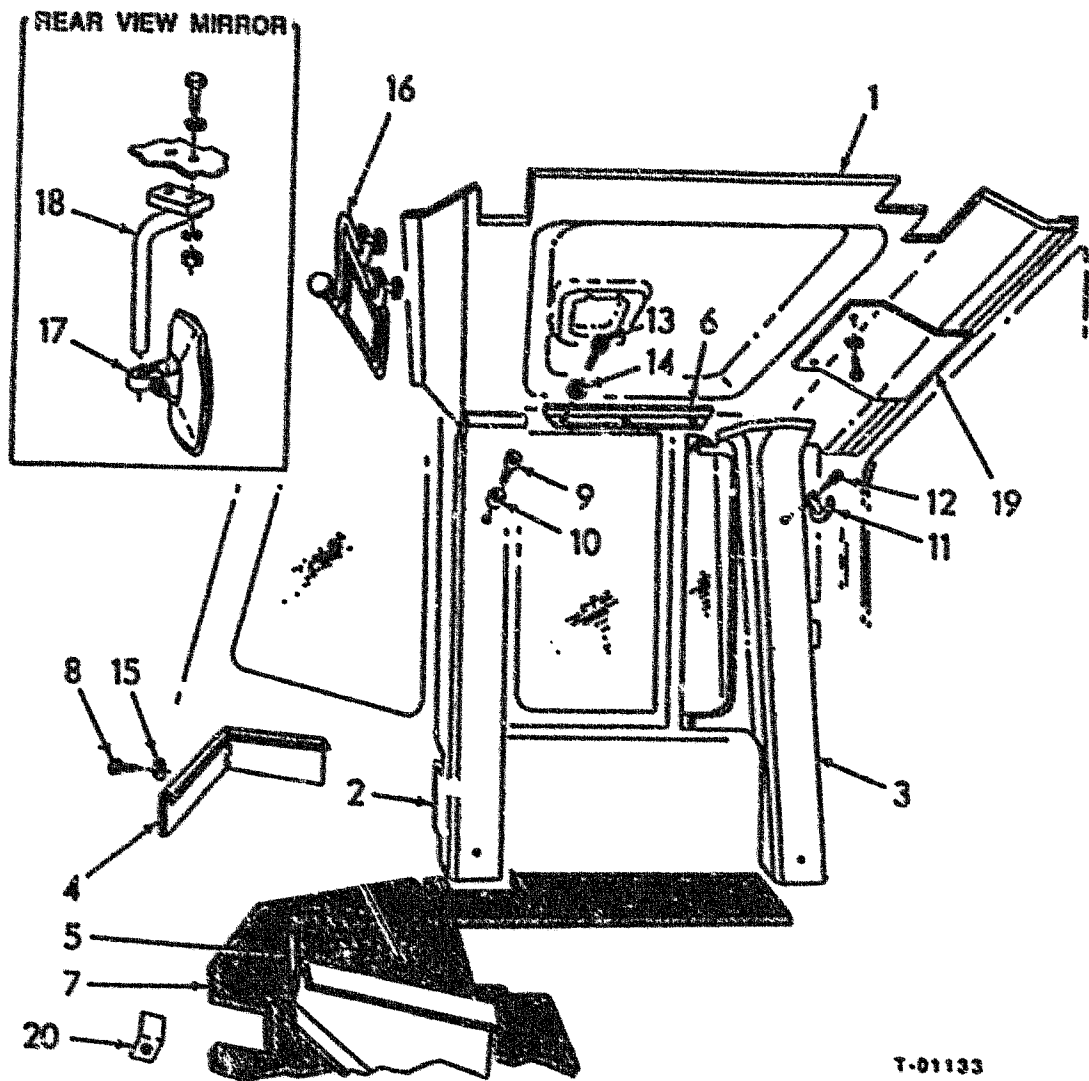
FR11

CAB WINDOWS

L104

2

Revised August 1988



T-01133

ITEM PART NO. QTY. LEX. DESCRIPTION

ITEM	PART NO.	QTY.	LEX.	DESCRIPTION
1	-----	1	129G	TRIMMING (ORDER 76015588 AND ITEM 19)
	76015588	1	129G	TRIMMING
2	76011552	1	129G	TRIMMING, FRONT LEFT
	76011553	1	129G	TRIMMING, FRONT RIGHT
3	76011554	1	129G	TRIMMING, REAR LEFT
	76011555	1	129G	TRIMMING, REAR RIGHT
4	76012993	1	25P	PANEL, RIGHT
	76012992	1	25P	PANEL, LEFT
5	76012969	1	25P	PANEL
6	76012988	1	115G	GUARD
	76012985	1	115G	GUARD, LEFT
7	76011557	1	30T	MAT
8	15905601	1	40V	CAPSCREW
9	15693306	8	40V	CAPSCREW
10	12611404	8	131R	WASHER
11	79031824	2	30G	HOOK
12	15909906	4	40V	CAPSCREW
13	15903806	6	40V	CAPSCREW
14	12638101	6	131R	WASHER
15	14496401	1	131R	WASHER
16	79051468	1	115G	GUARD
17	79051478	1	185J	MIRROR, REARVIEW
18	79085634	1	300S	SUPPORT
	16043834	2	40V	CAPSCREW
	12646721	2	131R	WASHER
	10571771	2	132R	LOCKWASHER
	16100821	2	10D	NUT
19	76015589	1	265C	COVER
	79076208	2	131R	WASHER
	15918006	2	40V	CAPSCREW, M10 X22
20	76013420	2	60M	BRACKET

FR11B

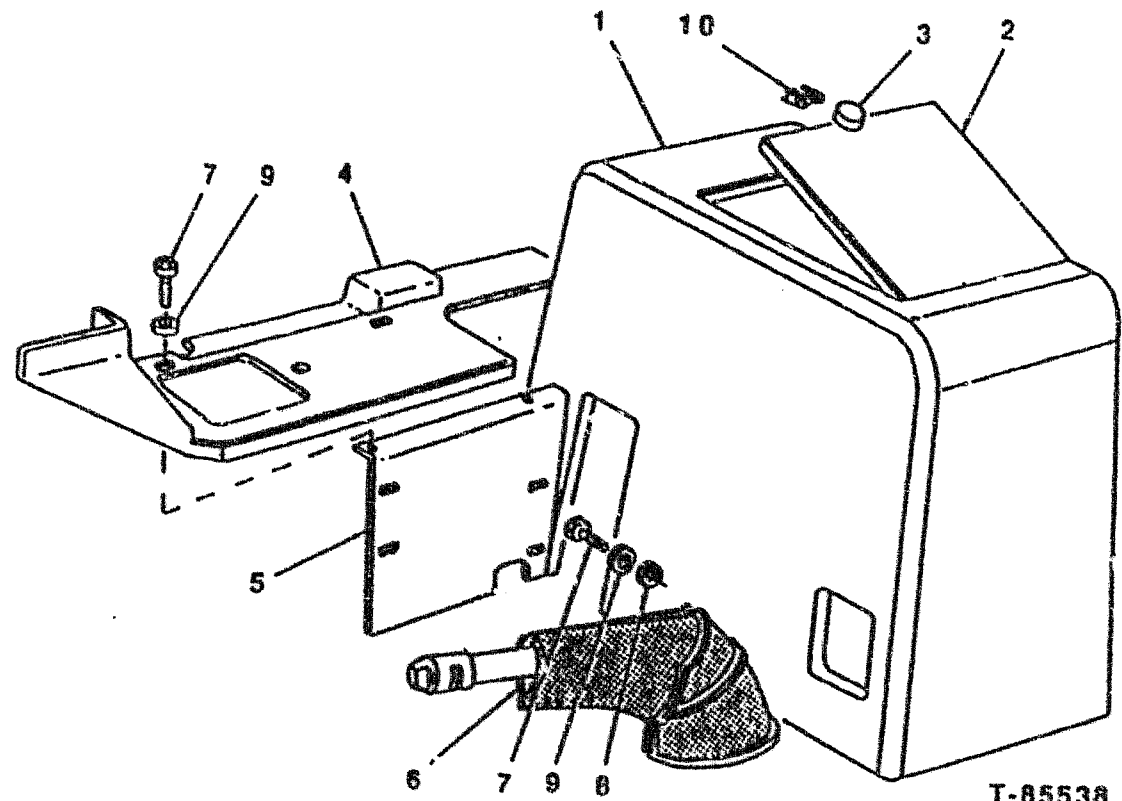
CAB

L104

7

REVISED OCTOBER 1990

L104(8)



ITEM	PART NO.	QTY.	CODE	DESCRIPTION	DENOMINAZIONE
1	76011550	1	265C	COVER	COPERCHIO
2	76012994	1	265C	COVER	COPERCHIO
3	76012988	1	196C	LATCH	CHIAVISTELLO
4	76012995	1	265C	COVER	COPERCHIO
5	79045095	1	300S	SUPPORT	SUPPORTO
6	76012987	1	334C	BOOT, DUST	CUFFIA PARAPOLVERE
7	10902231	2	40V	CAPSCREW	VITE
8	10571579	8	132R	LOCKWASHER	ROSETTA DI SICUREZZA
9	12643701	7	131R	WASHER	ROSETTA
10	76013419	2	123B	FASTENER	BOTTONE A SCATTO

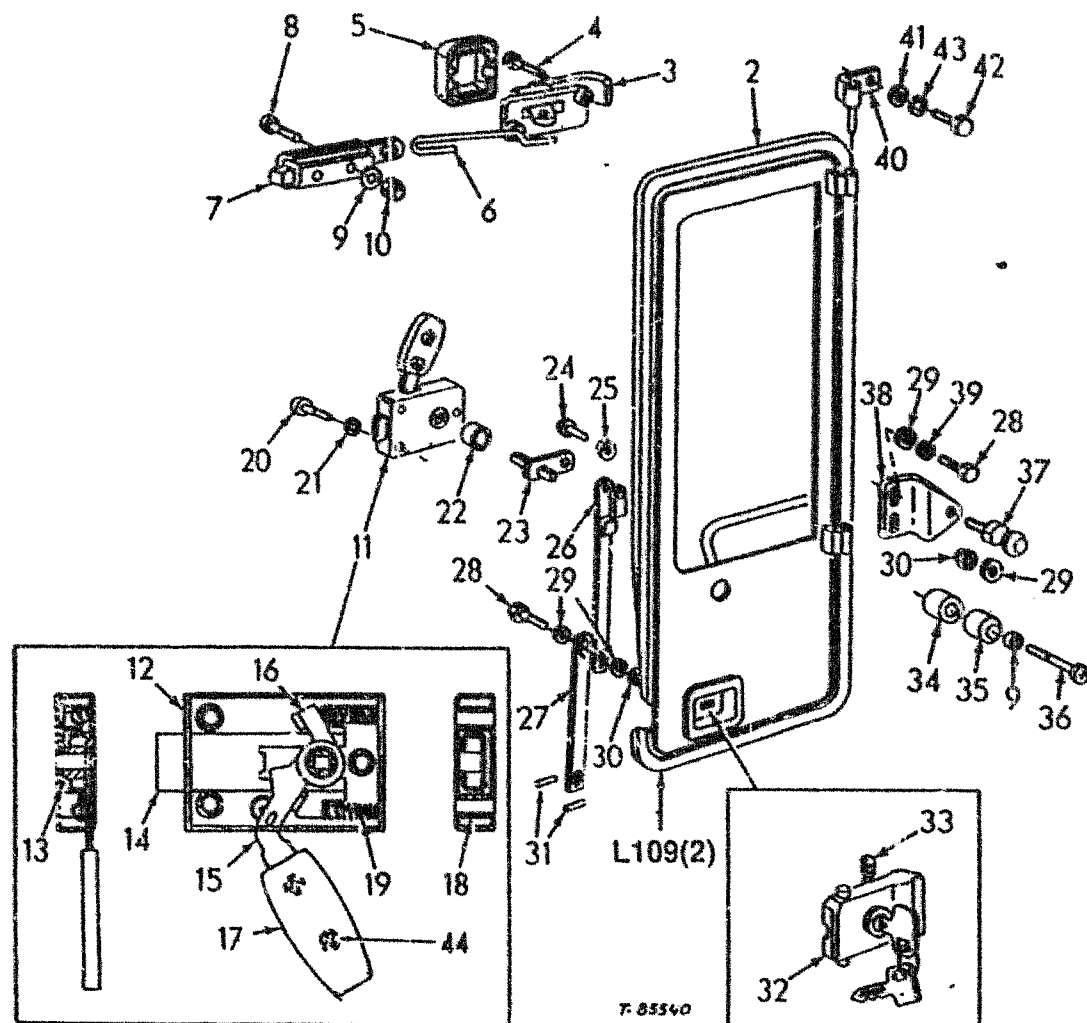
FR11

CAB
 CABINA
 CABINE
 KABINE, FAHRER
 CABINA

L104

8

REVISED OCTOBER 1990



T. 85540

ITEM	PART NO.	QTY.	CODE	DESCRIPTION	DENOMINAZIONE
-	76013022	1	180P	DOOR ASSY.	PORTA
			600A	LEFT	SINISTRO
			600L	INCLUDES ITEMS 1-44	INCLUDE PARTIC.(1)
1	-----	1	180P	DOOR(L109(2))	PORTA
2	76008293	1	123G	GASKET	GUARNIZIONE DI TENUTA
3	79073385	1	21H	HANDLE, LATCH	MANIGLIA-CHIAVISTELLO
4	13299111	2	42V	SCREW	VITE
5	79073386	1	180C	COLLAR	COLLARE
6	76012978	1	90A	ROD	ASTA
7	79073382	1	156C	LATCH	CHIAVISTELLO
8	13276811	2	42V	SCREW	VITE
9	14496401	3	131R	WASHER	ROSETTA
10	12574211	2	10D	NUT	DADO
11	76013997	1	22B	LOCK	SERRATURA
			600L	INCLUDES ITEMS 12-19,44	INCLUDE PARTIC.(1)
12	76016031	1	80C	CASE	CARCASSA
13	76016033	1	105P	PLATE	PIASTRA
14	76016034	1	156C	LATCH	CHIAVISTELLO
15	76016036	1	45L	LEVER	LEVA
			600F	OUTER	ESTERNO
16	76016038	1	45L	LEVER	LEVA
			600E	INNER	INTERNO
17	05131161	1	265C	COVER	COPERCHIO
18	76016039	3	75D	SPACER	DISTANZIALE
19	76016040	2	100M	SPRING	MOLLA
20	10903021	3	42V	SCREW	VITE
21	10516479	3	132R	LOCKWASHER	ROSETTA DI SICUREZZA
22	76012983	1	75D	SPACER	DISTANZIALE
23	76012979	1	79L	PIVOT	LUNETTA
24	10050811	1	80P	PIN	PERNO
25	14183871	1	131R	WASHER	ROSETTA
26	76012980	1	75G	LINK	GLIFO
27	76012981	1	75G	LINK	GLIFO
28	16043421	3	42V	SCREW	VITE
29	14496501	5	131R	WASHER	ROSETTA
30	16104111	2	10D	NUT	DADO
31	14161670	2	80P	PIN	PERNO

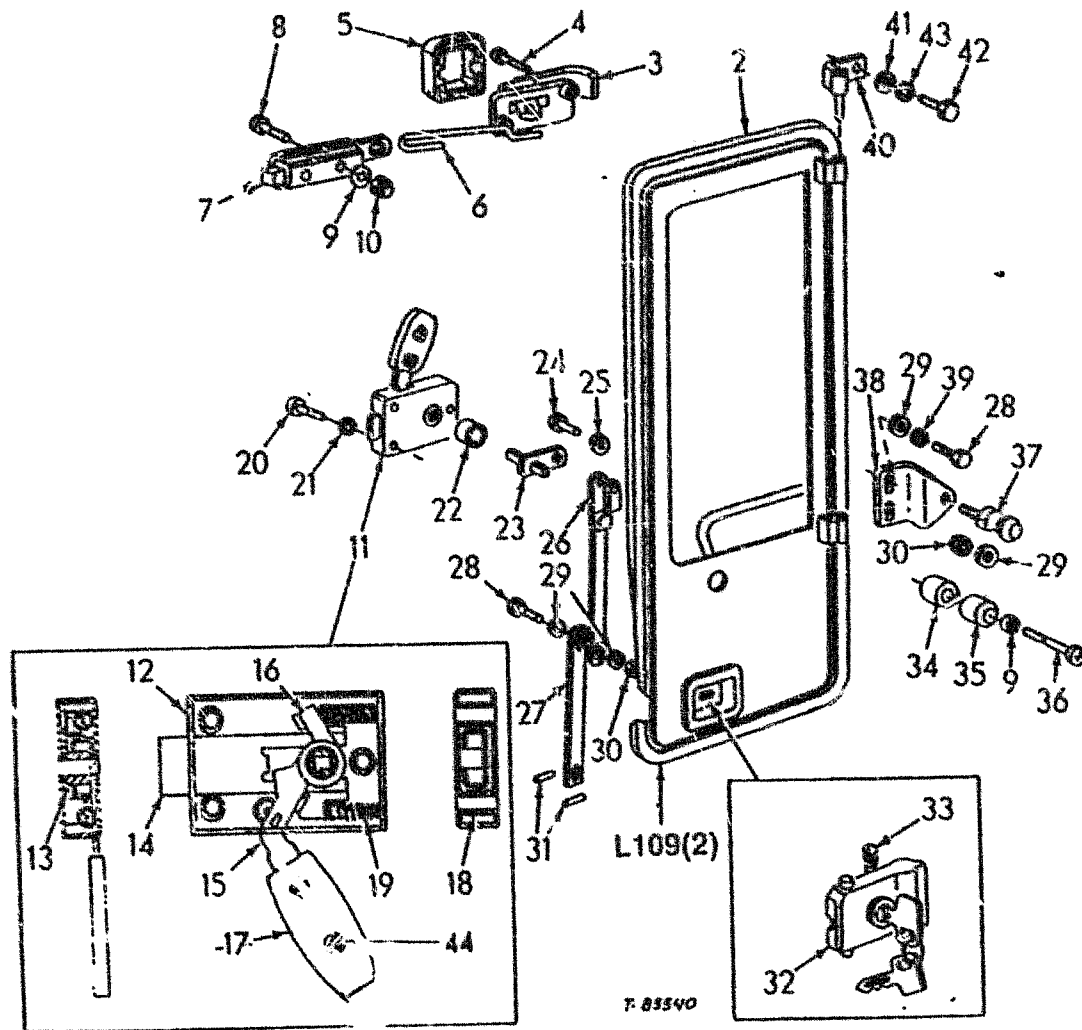
FR11

DOOR ASSEMBLY (ROPS CAB)
 PORTA (CABINA ROPS)
 PURTE (CABINE ROPS)
 TUR (KABINE MIT UBERROLLSCHUTZAUFBAU)
 PUERTA (CABINA ROPS)

L109

1

Revised August 1988



ITEM	PART NO.	QTY.	CODE	DESCRIPTION	DENOMINAZIONE
32	76011547	1	22B	LOCK	SERRATURA
33	76011544	1	100H	SPRING	MOLLA
34	76012982	1	75D	SPACER	DISTANZIALE
35	76012934	1	36P	BUMPER	PARAURTI
36	13277311	1	42V	SCREW	VITE
37	76012977	1	80A	STOP	ARRESTO
38	76012976	1	105P	PLATE	PIASTRA
39	10571779	2	132R	LOCKWASHER	ROSETTA DI SICUREZZA
40	76008266	1	141C	HINGE, FIXED	CERNIERA FISSA
			600C	UPPER	SUPERIORE
	76008267	1	141C	HINGE, FIXED	CERNIERA FISSA
			600D	LOWER	INTERIORE
41	14496601	4	131R	WASHER	ROSETTA
42	15970731	4	42V	SCREW	VITE
43	10516879	4	132R	LOCKWASHER	ROSETTA DI SICUREZZA
44	15672677	2	42V	SCREW	VITE

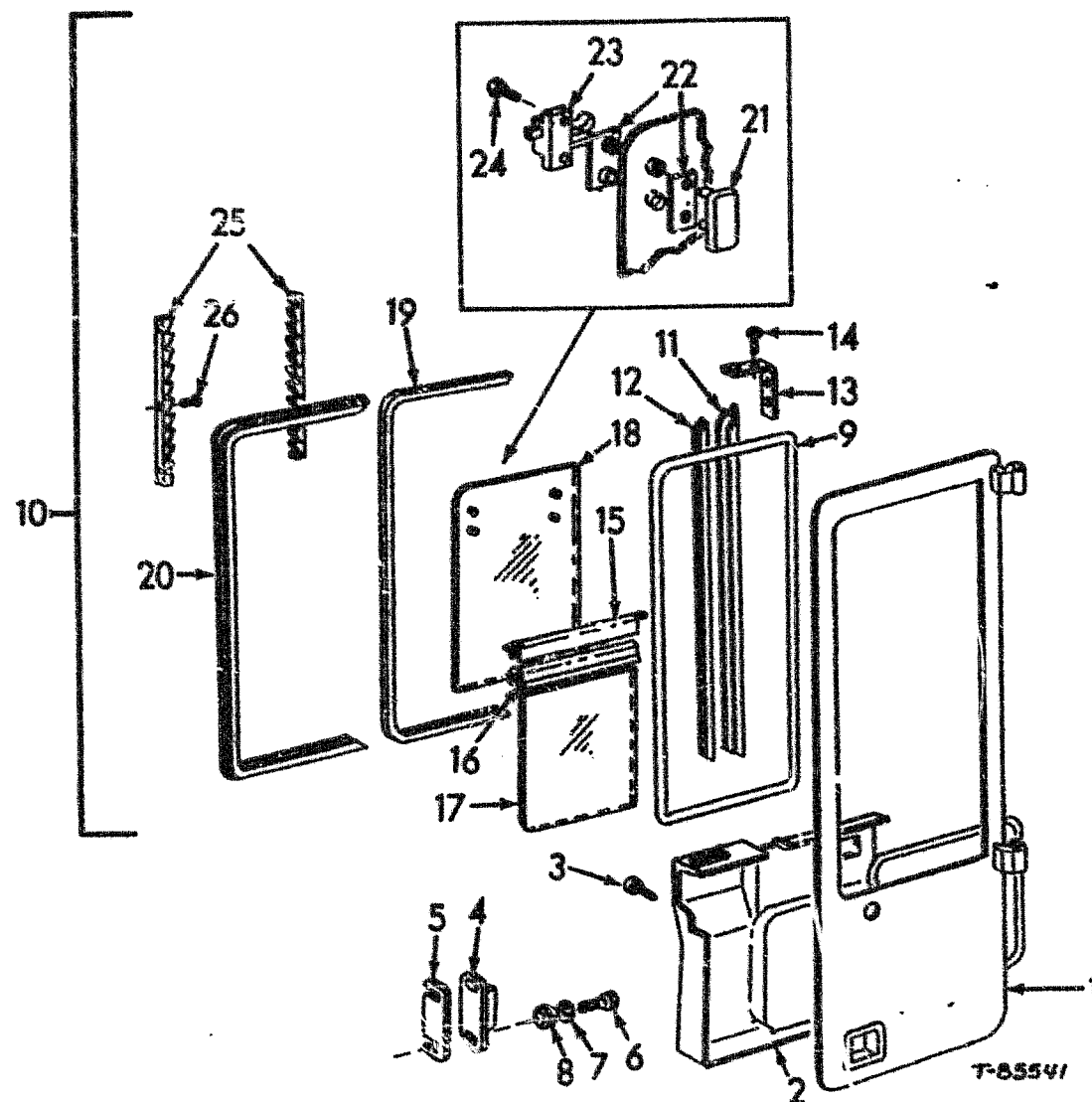
FR11

DOOR ASSEMBLY (ROPS CAP)
 PORTA (CABINA ROPS)
 PORTE (CABINE ROPS)
 TUR (KABINE MIT UBERROLLSCHUTZAUFBAU)
 PUERTA (CABINA ROPS)

L109

1

Revised August 1988



ITEM	PART NO.	QTY.	CODE	DESCRIPTION	DENOMINAZIONE
1	76012990	1	180P	DOOR	PORTA
2	76011573	1	265C	COVER	COPIERCHIO
3	15903806	-	42V	SCREW	VITE
4	79057175	1	156C	LATCH	CHIAVISTELLO
5	79057176	1	75D	SPACER	DISTANZIALE
6	10902121	2	40V	CAPSCREW	VITE
7	10516479	2	132R	LOCKWASHER	ROSETTA DI SICUREZZA
8	12643701	2	131R	WASHER	ROSETTA
9	76008157	1	123G	GASKET	GUARNIZIONE DI TENUTA
10	76013008	1	65F	WINDOW ASSY.	FINESTRA
			600L	INCLUDES ITEMS 11-26	INCLUDE PARTIC.(1)
11	76013426	1	171	FRAME	INCASTELLATURA
12	76008152	1	123G	GASKET	GUARNIZIONE DI TENUTA
13	76008150	2	60A	ANGLE	ANGOLARE
14	14641392	8	55R	RIVET	RIBATTINO
15	76008149	1	501H	TIE	TIRANTE
16	76008819	1	123G	GASKET	GUARNIZIONE DI TENUTA
17	76013010	1	38V	GLASS	VETRO
18	76013009	1	38V	GLASS	VETRO
19	76008151	1	123G	GASKET	GUARNIZIONE DI TENUTA
20	76013425	1	171	FRAME	INCASTELLATURA
21	76008820	2	105P	PLATE	PIASTRA
22	79050881	4	123G	GASKET	GUARNIZIONE DI TENUTA
23	79050879	1	21M	HANDLE, LATCH	MANIGLIA-CHIAVISTELLO
			600B	RIGHT	DESTRO
			79050880	21M HANDLE, LATCH	MANIGLIA-CHIAVISTELLO
			600A	LEFT	SINISTRO
24	13276011	4	42V	SCREW	VITE
25	79050876	2	312C	RACK	CREMAGLIERA
26	15909301	6	42V	SCREW	VITE

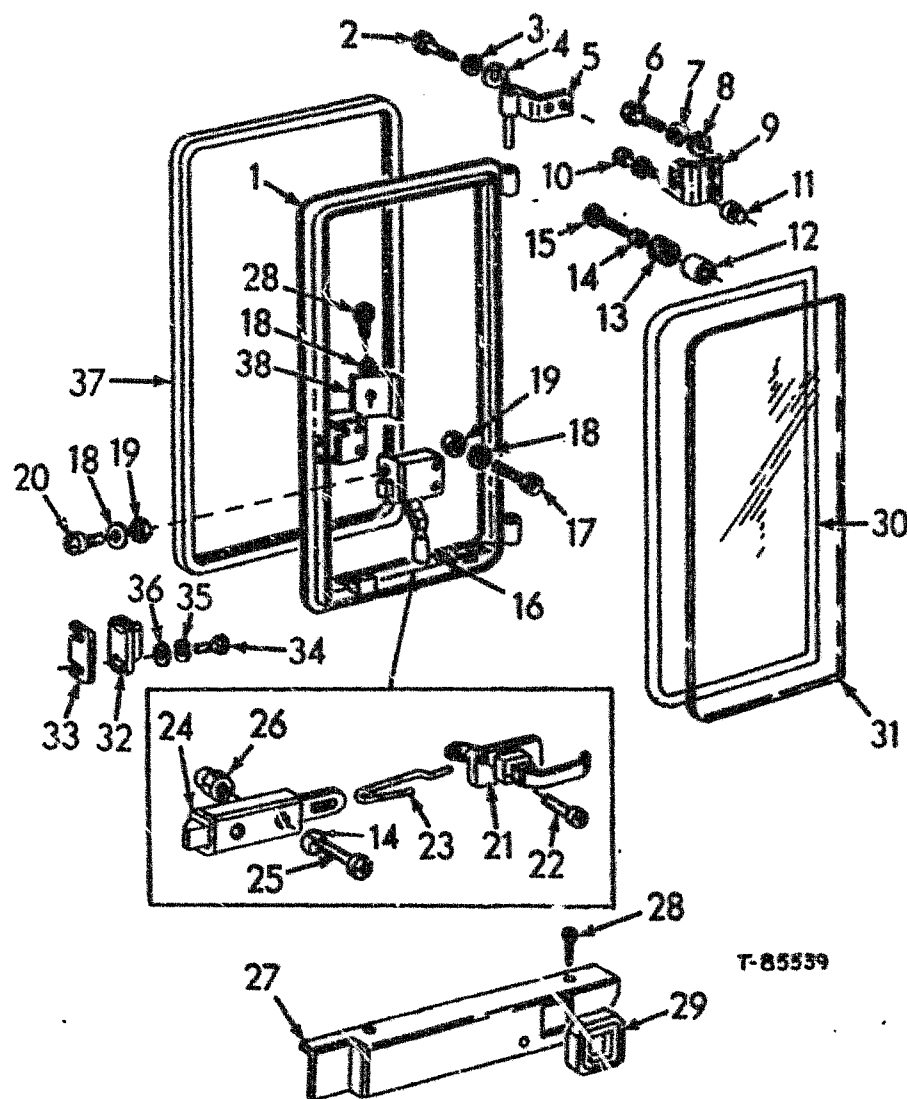
FR11

DOOR ASSEMBLY (ROPS CAB)
 PORTA (CABINA ROPS)
 PORTE (CABINE ROPS)
 TUR (KABINE MIT UBERROLLSCHUTZAUFBAU)
 PUERTA (CABINA ROPS)

L109

2

Revised August 1988



T-85539

ITEM	PART NO.	QTY.	CODE	DESCRIPTION	DEHOMINAZIONE
-	76013023	1	180P	DOOR ASSY.	PORTA
			600B	RIGHT	DESTRO
			600L	INCLUDES ITEMS 1-38	INCLUDE PARTIC.(1)
1	76012991	1	180P	DOOR	PORTA
2	15970731	4	42V	SCREW	VITE
3	10571879	4	132R	LOCKWASHER	ROSETTA DI SICUREZZA
4	14496601	4	131R	WASHER	ROSETTA
5	76008266	1	141C	HINGE, FIXED	CERNIERA FISSA
			600C	UPPER	SUPERIORE
	76008267	1	141C	HINGE, FIXED	CERNIERA FISSA
			600D	LOWER	INFERIORE
6	16043431	2	42V	SCREW	VITE
7	10571779	2	132R	LOCKWASHER	ROSETTA DI SICUREZZA
8	14496501	2	131R	WASHER	ROSETTA
9	76012976	1	105P	PLATE	PIASTRA
10	76012977	1	80A	STOP	ARRESTO
11	16104111	1	10D	NUT	DADO
12	76012982	1	75D	SPACER	DISTANZIALE
13	76012934	1	36P	BUMPER	PARAURTI
14	14496401	3	131R	WASHER	ROSETTA
15	13277311	1	42V	SCREW	VITE
16	76008273	1	22B	LOCK	SERRATURA
17	13311411	2	42V	SCREW	VITE
18	12637801	5	131R	WASHER	ROSETTA
19	12574111	4	10D	NUT	DADO
20	13311011	2	42V	SCREW	VITE
21	79073385	1	21M	HANDLE, LATCH	MANIGLIA-CHIAVISTELLO
22	13299111	2	42V	SCREW	VITE
23	76012978	1	90A	ROD	ASTA
24	79073382	1	156C	LATCH	CHIAVISTELLO
25	13276811	2	42V	SCREW	VITE
26	12574211	2	10D	NUT	DADO
27	76012984	1	80M	BRACKET	MENSOLA
28	15903806	3	42V	SCREW	VITE
29	79073386	1	180C	COLLAR	COLLARE
30	76008157	1	123G	GASKET	GUARNIZIONE DI TENUTA
31	76013007	1	38V	GLASS	VETRO

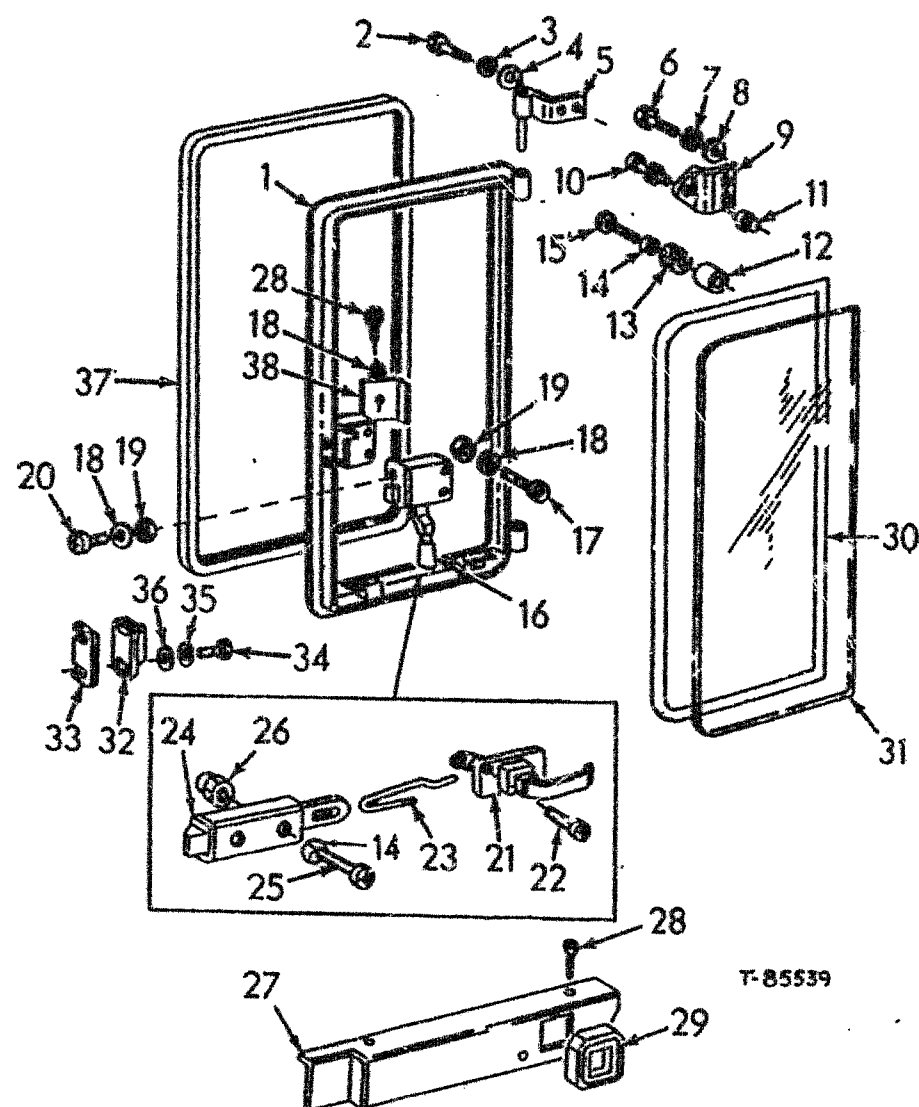
FR11

DOOR ASSEMBLY (ROPS CAB)
 PORTA (CABINA ROPS)
 PORTE (CABINE ROPS)
 TUR (KABINE MIT UBERROLLSCHUTZAUFBAU)
 PUERTA (CABINA ROPS)

L109

3

Revised August 1988



T-85539

ITEM	PART NO.	QTY.	CODE	DESCRIPTION	DENOMINAZIONE
32	79057175	1	156C	LATCH	CHIAVISTELLO
33	79057176	1	75D	SPACER	DISTANZIALE
34	10902131	2	40V	CAPSCREW	VITE
35	10571579	2	132R	LOGWASHER	ROSETTA DI SICUREZZA
36	12643701	2	131R	WASHER	ROSETTA
37	76008297	1	123G	GASKET	GUARNIZIONE DI TENUTA
38	76008296	1	265C	COVER	COPERCHIO

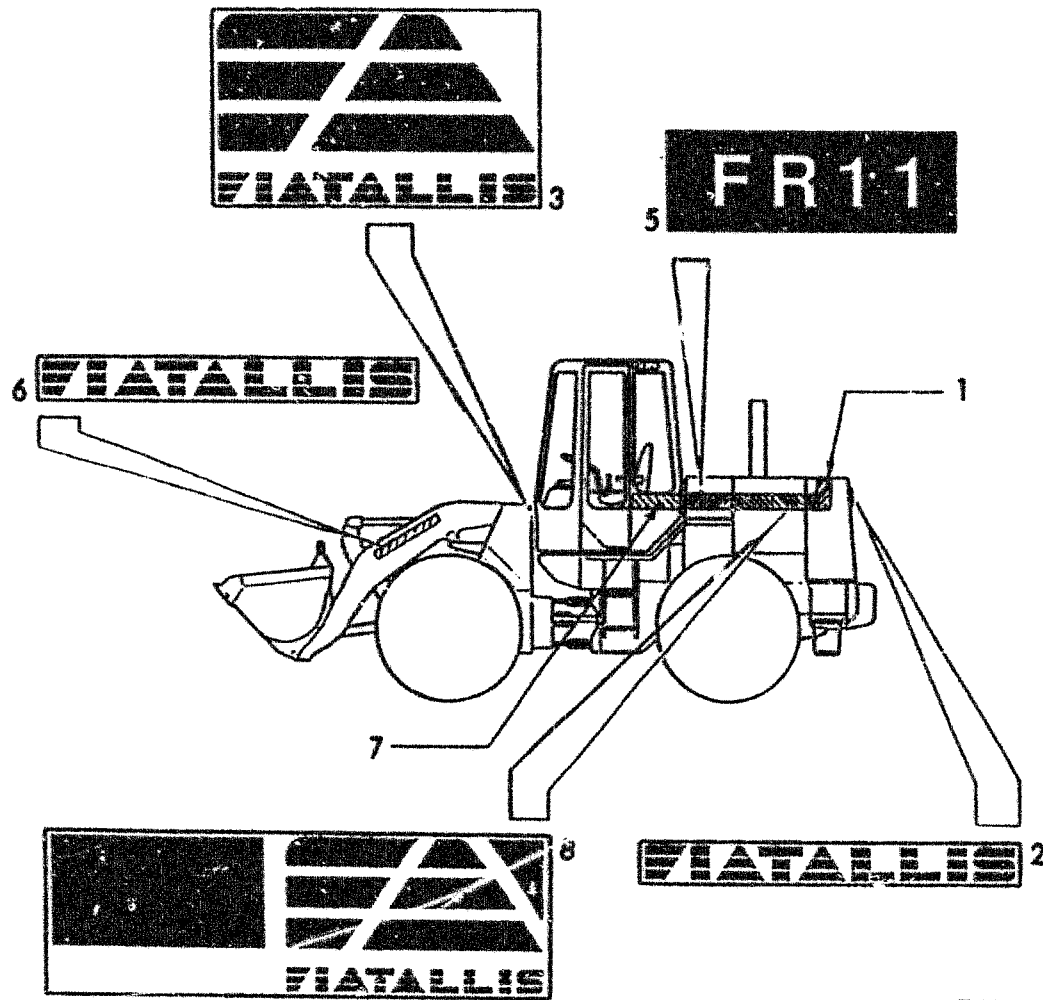
FR11

DOOR ASSEMBLY (ROPS CAB)
 PORTA (CABINA ROPS)
 PORTE (CABINE ROPS)
 TUR (KABINE MIT UBERROLLSCHUTZAUFBAU)
 PUERTA (CABINA ROPS)

L109

3

Revised August 1988



T-0434

ITEM PART NO. QTY. LEX. DESCRIPTION

1	76012267	1	8D	DECAL "STRIP", LEFT
	76012268	1	8D	DECAL "STRIP", RIGHT
2	79041164	1	8D	DECAL "FIATALLIS"
3	79071570	1	8D	DECAL "FA"
5	76012333	1	8D	DECAL, MODEL I.D.
6	79071542	2	8D	DECAL "FIATALLIS"
7	76012281	1	8D	DECAL "STRIP", LEFT
	76012282	1	8D	DECAL "STRIP", RIGHT
8	76012051	1	8D	DECAL "FA"
	76012052	1	8D	DECAL "FA"
9	a73155149	2	8D	DECAL "SCRAP YARD"
10	a73155151	2	8D	DECAL "SPECIAL"
11	a73155148	2	8D	DECAL "LOG LOADER"

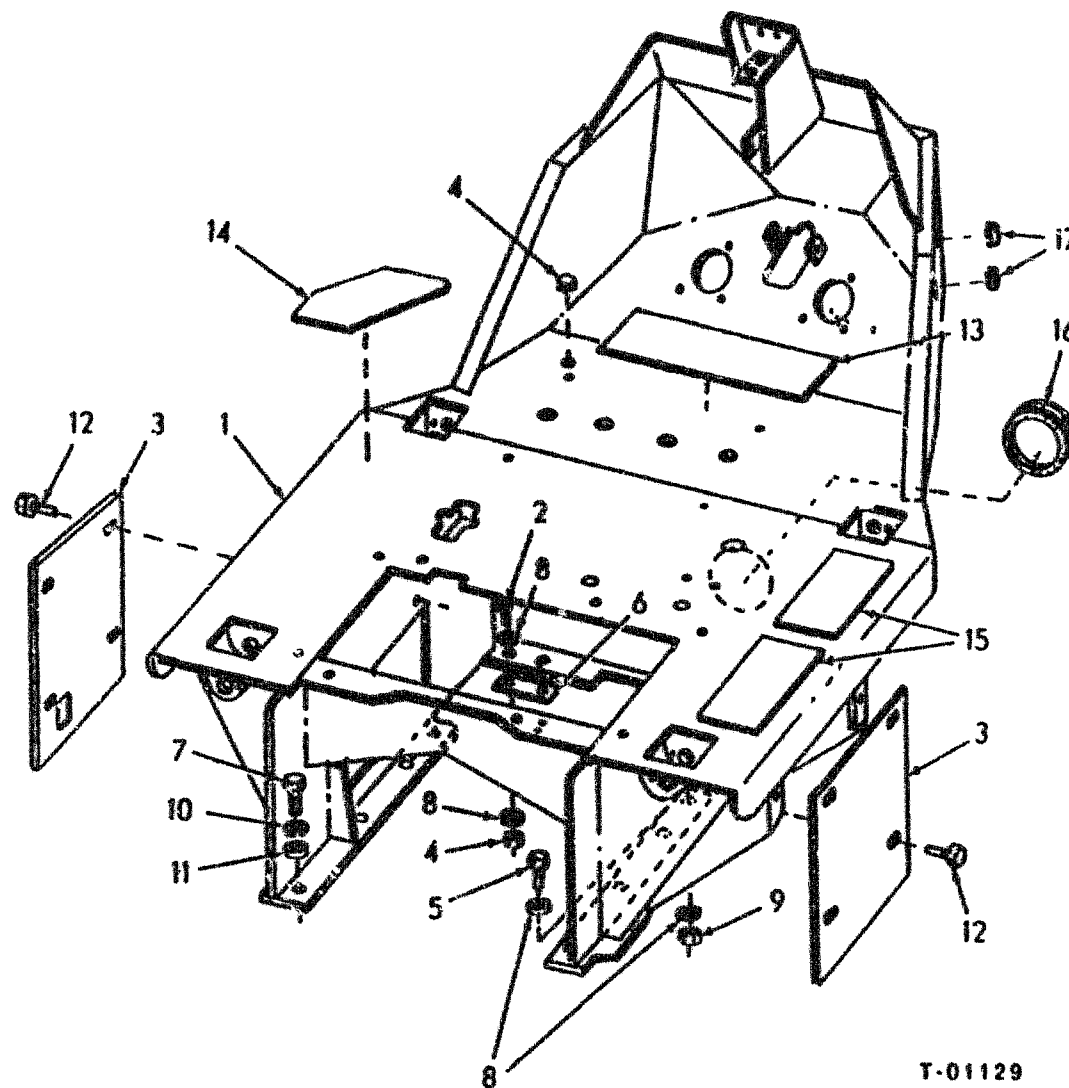
a. Not illustrated

FR11

MODEL SIGNS

L125

REVISED NOVEMBER 1990



T-01129

ITEM PART NO. QTY. LEX. DESCRIPTION

ITEM	PART NO.	QTY.	LEX.	DESCRIPTION
1	76011086	1	102P	PLATFORM
2	70927603	4	40V	CAPSCREW, 5/8"NC X 3"
3	76009391	1	105P	PLATE
			600B	RIGHT
	76008729	1	105P	PLATE
			600A	LEFT
4	70926604	4	50T	PLUG
5	70921476	2	40V	CAPSCREW, 5/8-18 X 2-1/2
6	73135026	4	198S	SHIM, ADJUSTMENT
7	70922544	4	40V	CAPSCREW, 3/4-10 X 2-3/4
8	70927328	12	131R	WASHER
9	70926712	6	10D	NUT, 5/8"NC
10	70926914	8	131R	WASHER
11	70916170	4	10D	NUT, 3/4"NC
12	70923683	8	40V	CAPSCREW, 3/8"NC X 3/4"
13	73075584	1	502D	STEP TREAD
14	73073119	1	502D	STEP TREAD
15	45015482	3	502D	STEP TREAD
16	73048955	-	50C	CHANNEL
17	14592187	2	50T	PLUG

FR11B

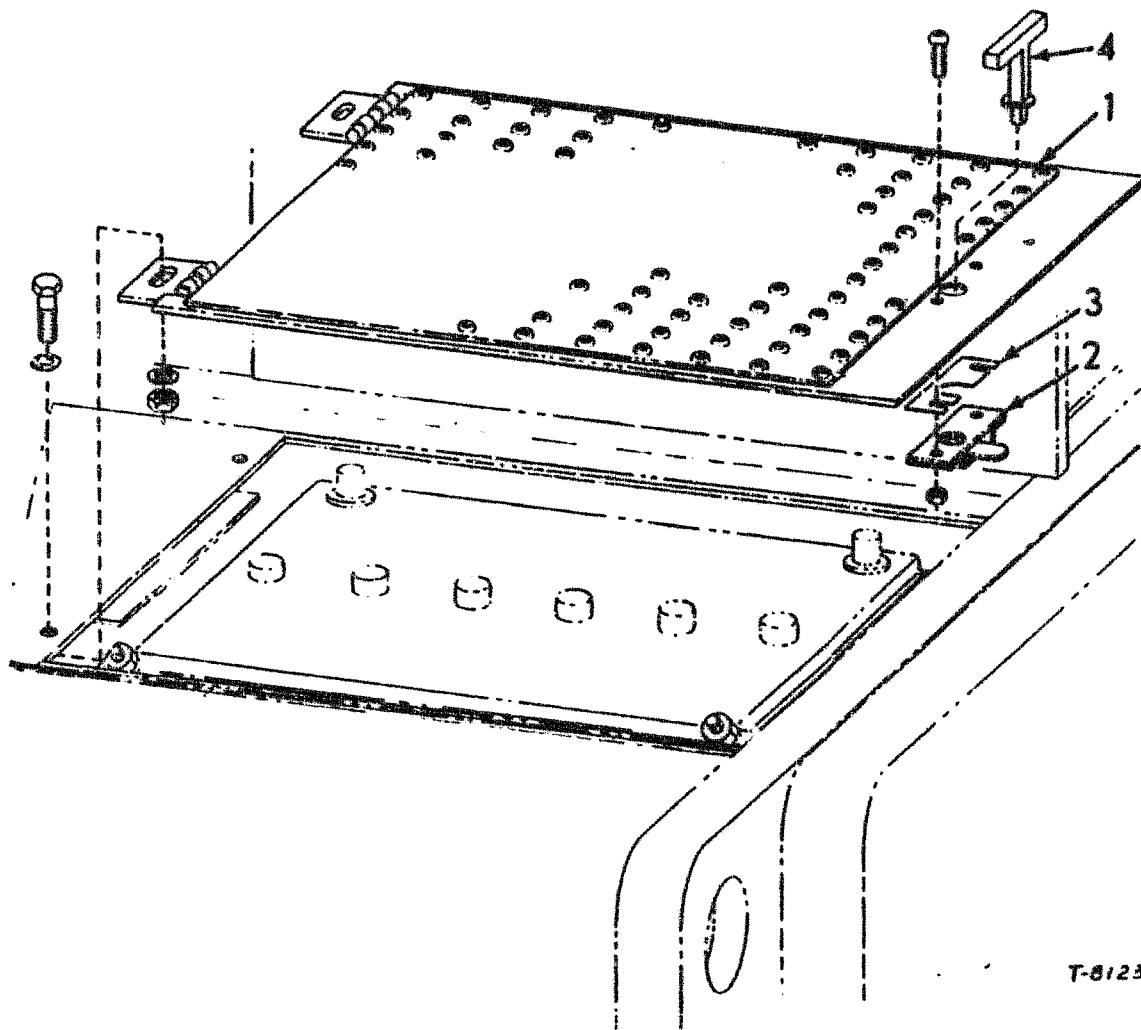
COWL & PLATFORM

L130

1

REVISED OCTOBER 1990

L130(2)



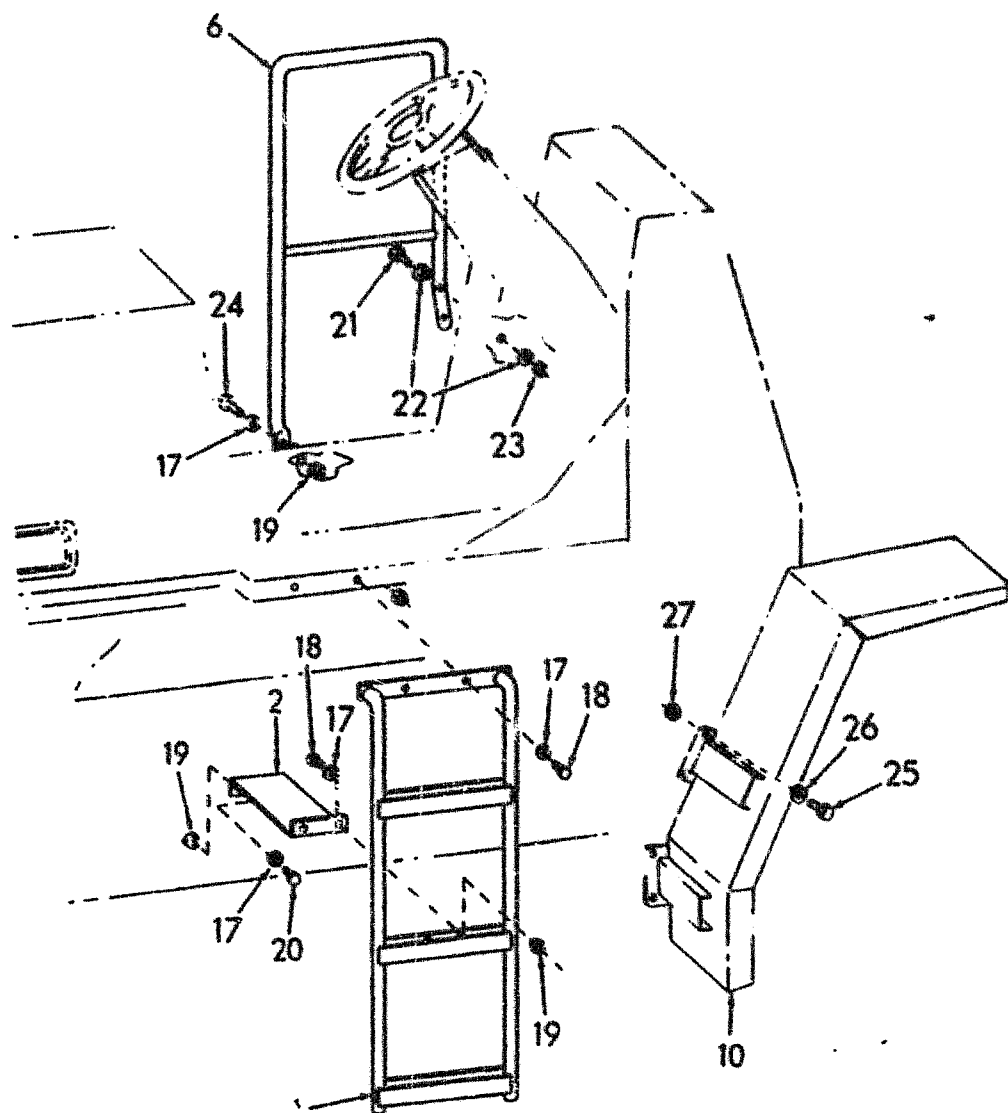
ITEM	PART NO.	QTY.	CODE	DESCRIPTION	DENOMINAZIONE
1	76007254	2	265C	COVER	COPERCHIO
	70921076	4	40V	CAPSCREW, 3/8"NC X 1-1/4"	VITE
	70677006	8	131R	WASHER	ROSETTA
	70933623	4	10D	NUT, 3/8"NC	DADO
2	73069458	2	156C	LATCH	CHIAVISTELLO
	70933578	4	40V	CAPSCREW, 1/4"NCX 3/4"	VITE
	70933621	4	10D	NUT, 1/4"NC	DADO
3	73072341	2	198S	SHIM, ADJUSTMENT	SPESSORE DI REGISTRO
			600P	AS REQUIRED	DEFINITO AL MONTAGGIO
4	73075853	1	21M	HANDLE, LATCH	MANIGLIA-CHIAVISTELLO
5	45015482	4	502D	STEP TREAD	PEDANA ANTISDRUCCIOLO
			601K	NOT ILLUSTRATED	NON ILLUSTRATO

FR11

BATTERY COVERS
 BATTERIA-COPERCHI
 COUVERCLES DES ACCUS
 BATTERIEDECKEL
 TAPAS DE LAS BATERIAS

L130

2



DT-81464

USAGE: UNITS WITHOUT CABS.

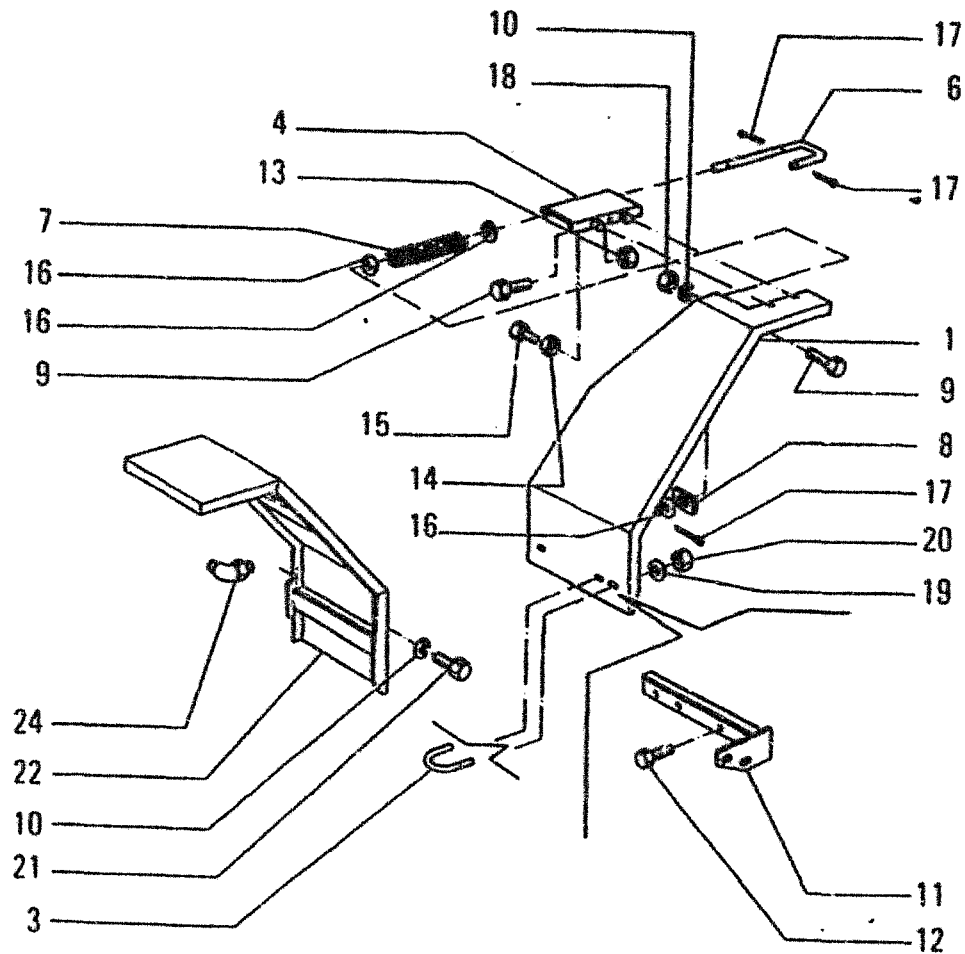
ITEM	PART NO.	QTY.	CODE	DESCRIPTION	DENOMINAZIONE
1	76009316	1	22S	LADDER	SCALETTA
2	73061897	1	80M	BRACKET	MENSOLA
6	73075045	1	15M	RAIL, HAND	MANCORRENTE
			600A	LEFT	SINISTRO
10	76009342	1	31P	FENDER	PARAFANGO
			600J	SPECIAL EQUIPMENT	EQUIP. SPECIALE
			600A	LEFT	SINISTRO
	76009344	1	31P	FENDER	PARAFANGO
			600J	SPECIAL EQUIPMENT	EQUIP. SPECIALE
			600B	RIGHT	DESTRO
17	70677006	18	131R	WASHER	ROSETTA
18	70921076	4	40V	CAPSCREW, 3/8"NC X 1-1/4"	VITE
19	70933623	8	10D	NUT	DADO
20	70922300	2	40V	CAPSCREW, 3/8"NC X 3/4"	VITE
21	70927174	2	40V	CAPSCREW, 3/8"NC X 2-1/2"	VITE
22	70677006	4	131R	WASHER	ROSETTA
23	70918308	2	10D	NUT	DADO
24	70921565	4	40V	CAPSCREW, 3/8"NC X 1-1/2"	VITE
25	70921076	12	40V	CAPSCREW, 3/8"NC X 1.25	VITE
	70921565	10	40V	CAPSCREW, 3/8"NC X 1.50	VITE
26	70677006	10	131R	WASHER	ROSETTA
27	70933623	10	10D	NUT	DADO

FR11

LADDER, HANDRAIL & FENDERS
 SCALA MANCORRENTI E PARAFANGHI
 ECHELLE, MAINS COURANTES ET GARDE-BOUE
 LEITER, HANDGRIFF UND SCHUTZBLECHE
 ESCALER, BARANDILLA Y GUARDABARROS

L 304

Revised August 1988



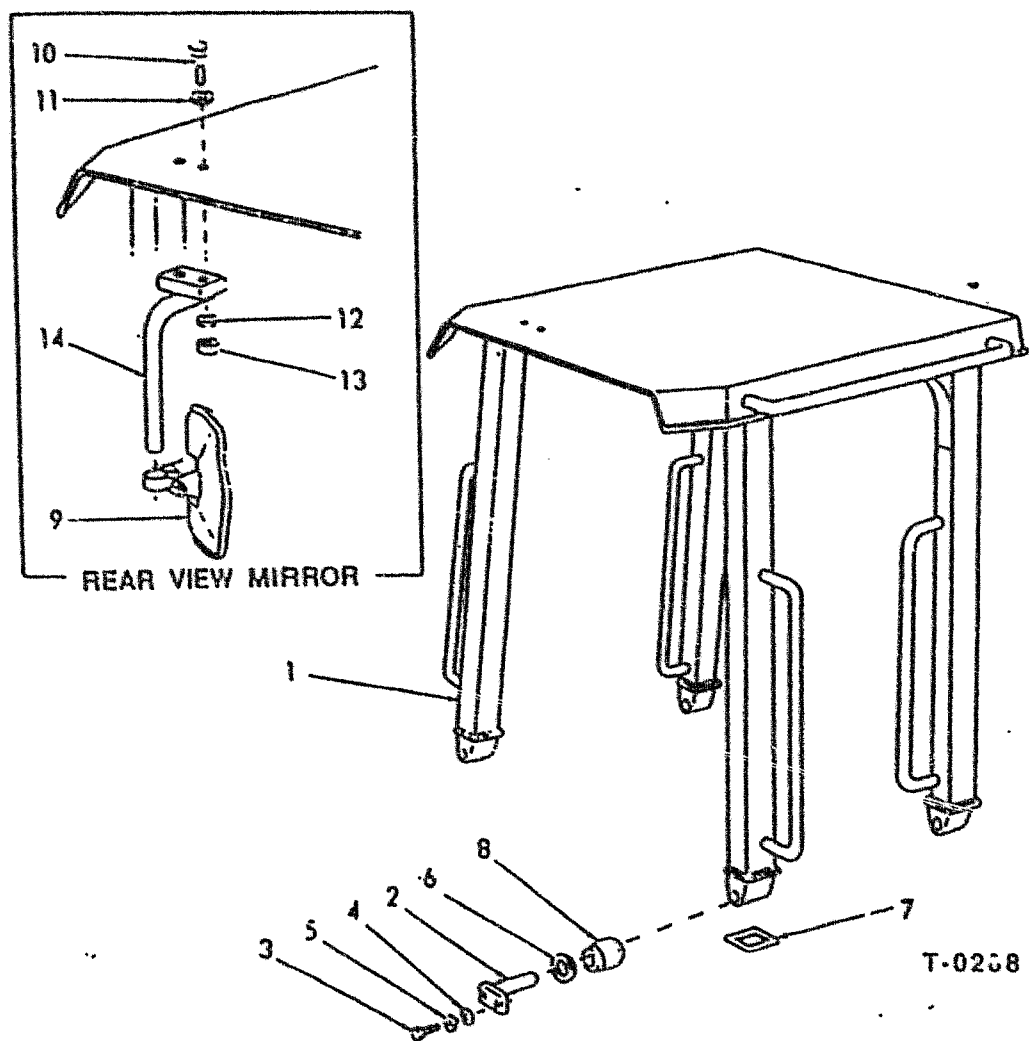
ITEM	PART NO.	QTY.	CODE	DESCRIPTION	DENOMINAZIONE
1	76009331	1	31P	FENDER	PARAFANGO
			600A	LEFT	SINISTRO
	76009332	1	31P	FENDER	PARAFANGO
			600B	RIGHT	DESTRO
3	76008719	1	100C	U-BOLT	CAVALLOTTO
4	73074273	1	31P	FENDER	PARAFANGO
			600A	LEFT	SINISTRO
	73074274	1	31P	FENDER	PARAFANGO
			600B	RIGHT	DESTRO
6	73074268	2	90A	ROD	ASTA
7	73074266	2	100H	SPRING	MOLLA
8	73074267	2	61S	RETAINER	SCODELLINO DI RITEGNO
9	70921076	12	40V	CAPSCREW	VITE
10	70677006	20	131R	WASHER	ROSETTA
11	76009315	1	20H	HANDLE	MANIGLIA
			600B	RIGHT	DESTRO
12	15888831	3	40V	CAPSCREW, 10X1.25X70	VITE
13	70915891	2	10D	NUT	DADO
14	70912772	2	10D	NUT	DADO
15	70921565	12	40V	CAPSCREW	VITE
16	70910244	6	131R	WASHER	ROSETTA
17	70918448	6	27CC	PIN, SPLIT	COPIGLIA
18	70933623	12	10D	NUT	DADO
19	10571871	4	132R	LOCKWASHER, 10.2X2.2	ROSETTA DI SICUREZZA
20	12164721	4	10D	NUT, 10X1.25X8	DADO
21	70922763	2	40V	CAPSCREW	VITE
22	76012368	1	31P	FENDER	PARAFANGO
			600A	LEFT	SINISTRO
	76012369	1	31P	FENDER	PARAFANGO
			600B	RIGHT	DESTRO
24	70917013	2	20R	FITTING	RACCORDO

FR11

FENDERS
PARAFANGMI
GARDE-BOUE
KOTFLUGEL
GUARDABARROS

L304/1

Added August 1988



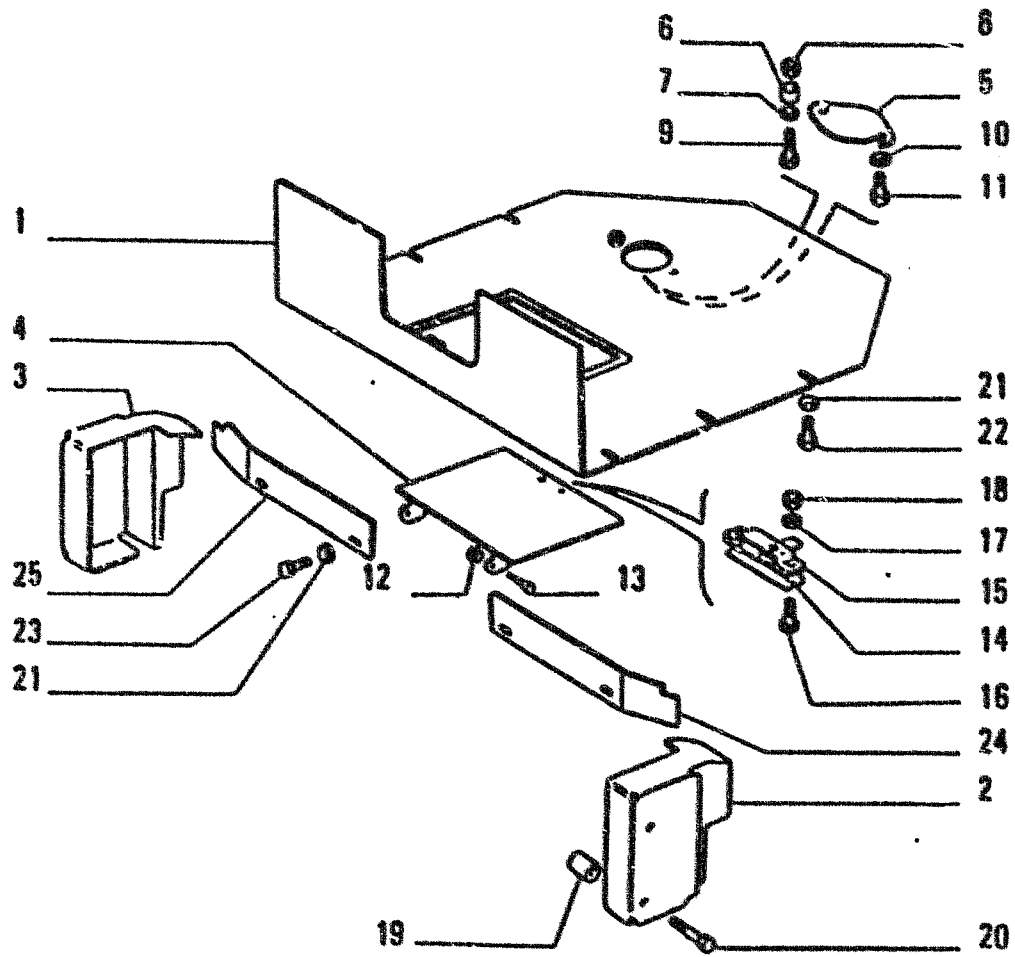
ITEM	PART NO.	QTY.	CODE	DESCRIPTION	DENOMINAZIONE
1	79042067	1	70R	CANOPY ASSY.(ROPS)	RIPARO
2	79042272	4	80P	PIN	PERNO
3	70922262	4	42V	SCREW	VITE
4	12638601	4	131R	WASHER, 10.2X18	ROSETTA
5	10571870	4	132R	LOCKWASHER, 10.2X2.2	ROSETTA DI SICUREZZA
6	70912299	4	131R	WASHER	ROSETTA
7	76014467	4	133R	SEAL	GUARNIZIONE TENUTA
8	79045180	4	95B	BUSHING	BOCCOLA
9	79051478	1	185S	MIRROR, REAR VIEW	SPECCHIO RETROVISORE
10	16043834	2	40V	CAPSCREW	VITE
11	12646721	2	131R	WASHER	ROSETTA
12	10571771	2	132R	LOCKWASHER	ROSETTA DI SICUREZZA
13	16100821	2	10D	NUT	DADO
14	79085634	1	300S	SUPPORT	SUPPORTO

FR11

CANOPY
TETTUCCIO
TOITURE
VERKLEIDUNG
TECHO

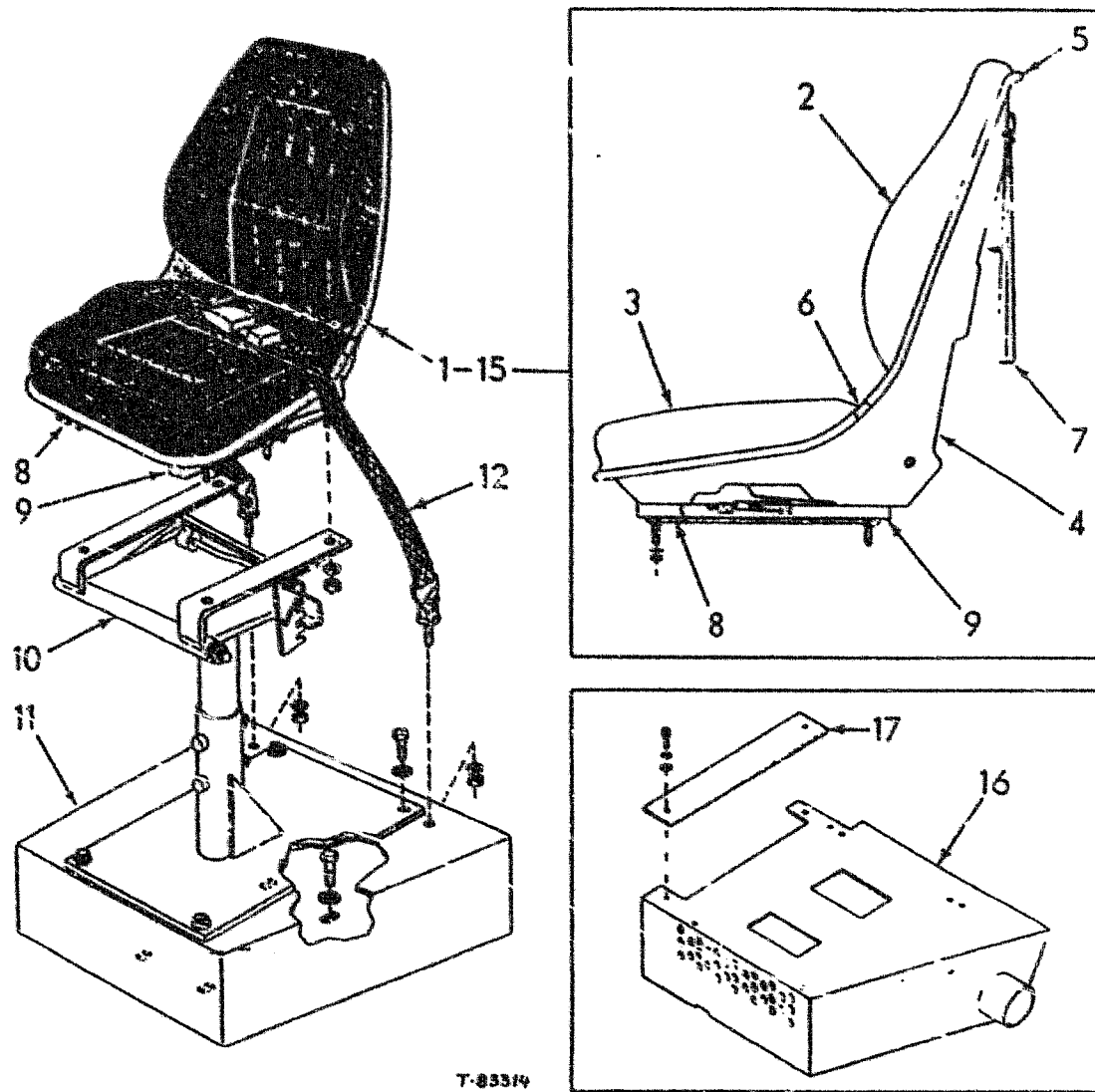
L308

Revised August 1988



ITEM	PART NO.	QTY.	CODE	DESCRIPTION	DENOMINAZIONE
1	73137385	1	105P	PLATE	PIASTRA
2	73141213	2	115G	GUARD	PROTEZIONE
			600A	LEFT	SINISTRO
3	73141214	2	115G	GUARD	PROTEZIONE
			600B	RIGHT	DESTRO
4	76012437	1	180P	DOOR	PORTA
5	73073569	1	265C	COVER	COPERCHIO
6	73075614	1	75D	SPACER	DISTANZIALE
7	70930849	2	131R	WASHER	ROSETTA
8	70933037	1	100	NUT	DADO
9	70920585	1	40V	CAPSCREW	VITE
10	76577008	1	131R	WASHER	ROSETTA
11	70920582	1	40V	CAPSCREW	VITE
12	70914501	2	100	NUT	DADO
13	70921172	2	40V	CAPSCREW	VITE
14	76012171	1	198S	SHIM, ADJUSTMENT	SPESSORE DI REGISTRO
15	79058960	1	228	LOCK	SERRATURA
16	70927401	2	40V	CAPSCREW	VITE
17	70677004	2	131R	WASHER	ROSETTA
18	70933621	2	100	NUT	DADO
19	73141215	8	75D	SPACER	DISTANZIALE
20	70927218	8	40V	CAPSCREW	VITE
21	70677006	14	131R	WASHER	ROSETTA
22	70921565	6	40V	CAPSCREW	VITE
23	11106231	8	40V	CAPSCREW, 10 X 1.5 X 29	VITE
24	73141207	2	105P	PLATE	PIASTRA
			600A	LEFT	SINISTRO
25	73141208	2	105P	PLATE	PIASTRA
			600B	RIGHT	DESTRO

FR11	UNDERCARRIAGE GUARD RIPARI INFERIORI BLINDAGE DU TRAIN DE ROULEMENT UNTERGESTELLVERKLEIDUNG PROTECCION DEL TREN DE RODAJE	L312
		REVISED OCTOBER 1990



T-83314

USAGE: FIRST TYPE.

ITEM	PART NO.	QTY.	CODE	DESCRIPTION	DENOMINAZIONE
1	73140209	1	80S	SEAT(VINYL)	SEDILO
	600L			INCLUDES ITEM(S)2-7	INCLUDE PARTIC.(1)
	73145602	1	80S	SEAT(FABRIC)	SEDILO
	600J			SPECIAL EQUIPMENT	EQUIP. SPECIALE
	600L			INCLUDES ITEM(S)2-7	INCLUDE PARTIC.(1)
2	-----	1	50S	BACK	SCHIENALE
	-----	6	89G	CLIP	GRAFFETTA
	-----		600Y	REFER TO ITEM 13	RIFERIRSI AL PART.
3	-----	1	345C	CUSHION	CUSCINO
	-----	6	89G	CLIP	GRAFFETTA
	-----		600V	REFER TO ITEM 14	RIFERIRSI AL PART.
4	-----	1	5V	SHELL	VALVA
	-----		600M	ORDER ITEM(S)1	ORDINARE PARTIC.
5	73139789	1	129G	TRIMMING	GUARNIZIONE ESTETICA
6	-----	1	89G	CLIP	GRAFFETTA
	-----		600V	REFER TO ITEM 13 OR 14	RIFERIRSI AL PART.
7	73068320	1	501L	POCKET	SAGGA
	-----	2	42V	SCREW	VITE
	-----		601C	NOT SERVICED	NON FORNITO DI RICAMB.
8	73139793	1	149G	RUNNER, SLIDING	GUIDA MOBILE
	-----		600B	RIGHT	DESTRO
	-----	2	40V	CAPSCREW	VITE
	-----	2	131R	WASHER	ROSETTA
	-----	2	257C	LOCKNUT, 5/16"NC	CONTRODADO
	-----	1	149G	RUNNER, SLIDING	GUIDA MOBILE
9	73139792	1	600A	LEFT	SINISTRO
	-----	2	40V	CAPSCREW	VITE
	-----	2	131R	WASHER	ROSETTA
	-----	2	257C	LOCKNUT, 5/16"NC	CONTRODADO
10	73073262	1	300S	SUPPORT	SUPPORTO
	70677006	4	131R	WASHER	ROSETTA
	70929057	4	40V	CAPSCREW, 3/8"NC X 1-1/2"	VITE
11	73145374	1	88C	MOUNTING FRAME	CASTELLO
	70677008	4	131R	WASHER	ROSETTA
	70920585	4	40V	CAPSCREW, 1/2"NC X 1-3/4"	VITE

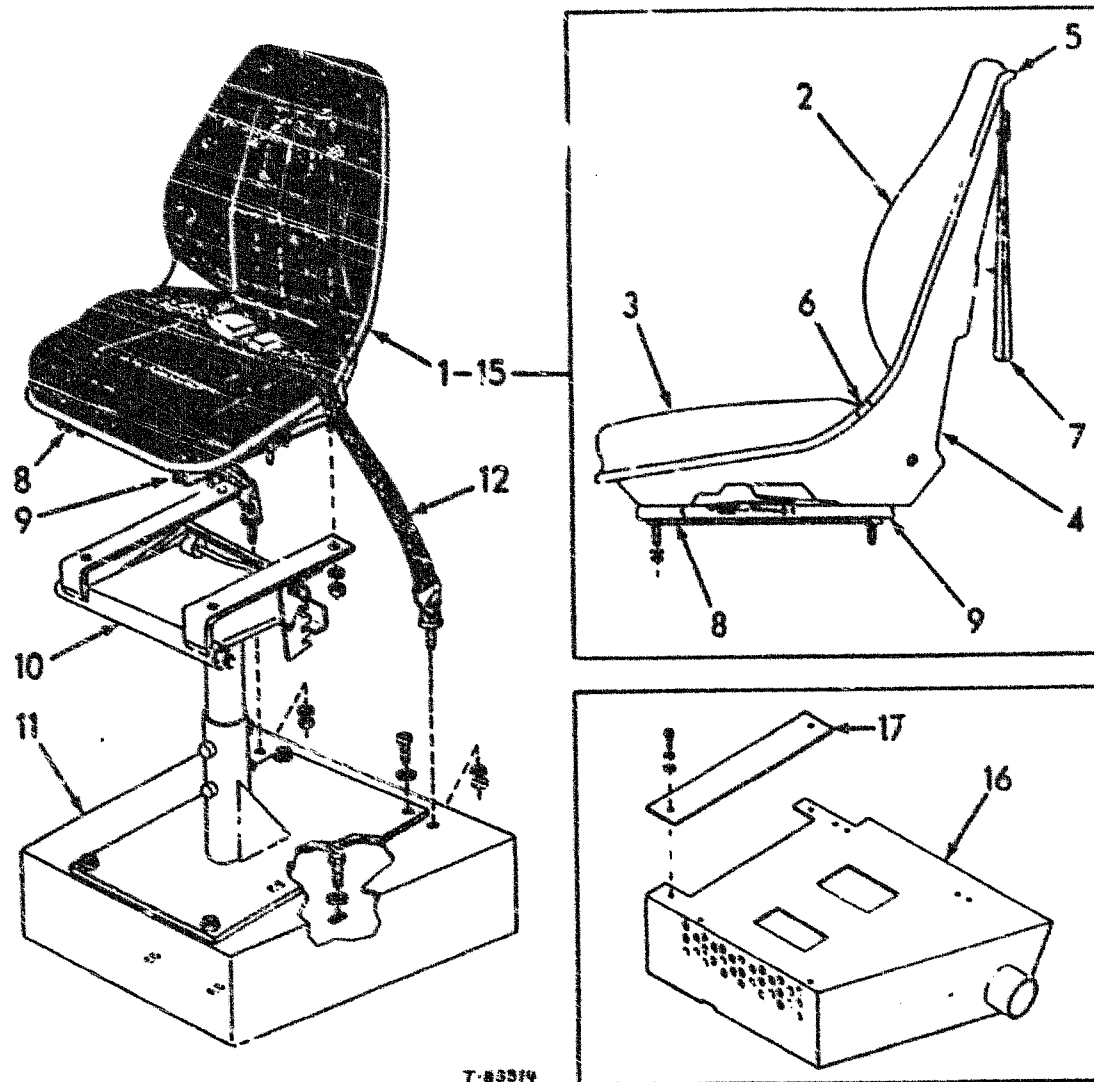
FR123

SEAT & MOUNTING
 SEDILO E FISSAGGIO
 SIEGE ET SUPPORT
 FAHRERSITZ UND EINBAU
 SILLA Y SOPORTE

M101

1

Revised August 1988



7-83574

ITEM	PART NO.	QTY.	CODE	DESCRIPTION	DENOMINAZIONE
12	70687663	1	182C	SEAT BELT	CINTURA DI SICUREZZA
			600R	INCL. HARDWARE	INCL. VITERIA
13	73144568	1	129S	KIT	SERIE
			600L	INCLUDES ITEM(S)2,6	INCLUDE PARTIC.(1)
14	73144567	1	129S	KIT	SERIE
			600L	INCLUDES ITEM(S)3,6	INCLUDE PARTIC.(1)
15	73145602	1	00S	SEAT	SEDILE
			600J	SPECIAL EQUIPMENT	EQUIP. SPECIALE
16 a	73148078	1	88C	MOUNTING FRAME	CASTELLO
			600J	SPECIAL EQUIPMENT	EQUIP. SPECIALE
	70677008	4	131R	WASHER	ROSETTA
	70920585	4	40V	CAPSCREW, 1/2"NC X 1-3/4"	VITE
17	73148079	1	265C	COVER	COPERCHIO
	70922300	2	40V	CAPSCREW, 3/8"NC X 3/4"	VITE
	70910287	2	132R	LOCKWASHER	ROSETTA DI SICUREZZA
	70911115	2	131R	WASHER	ROSETTA

a. UNITS WITH SIDE MOUNTED AIR CONDITIONING.

USAGE: FIRST TYPE.

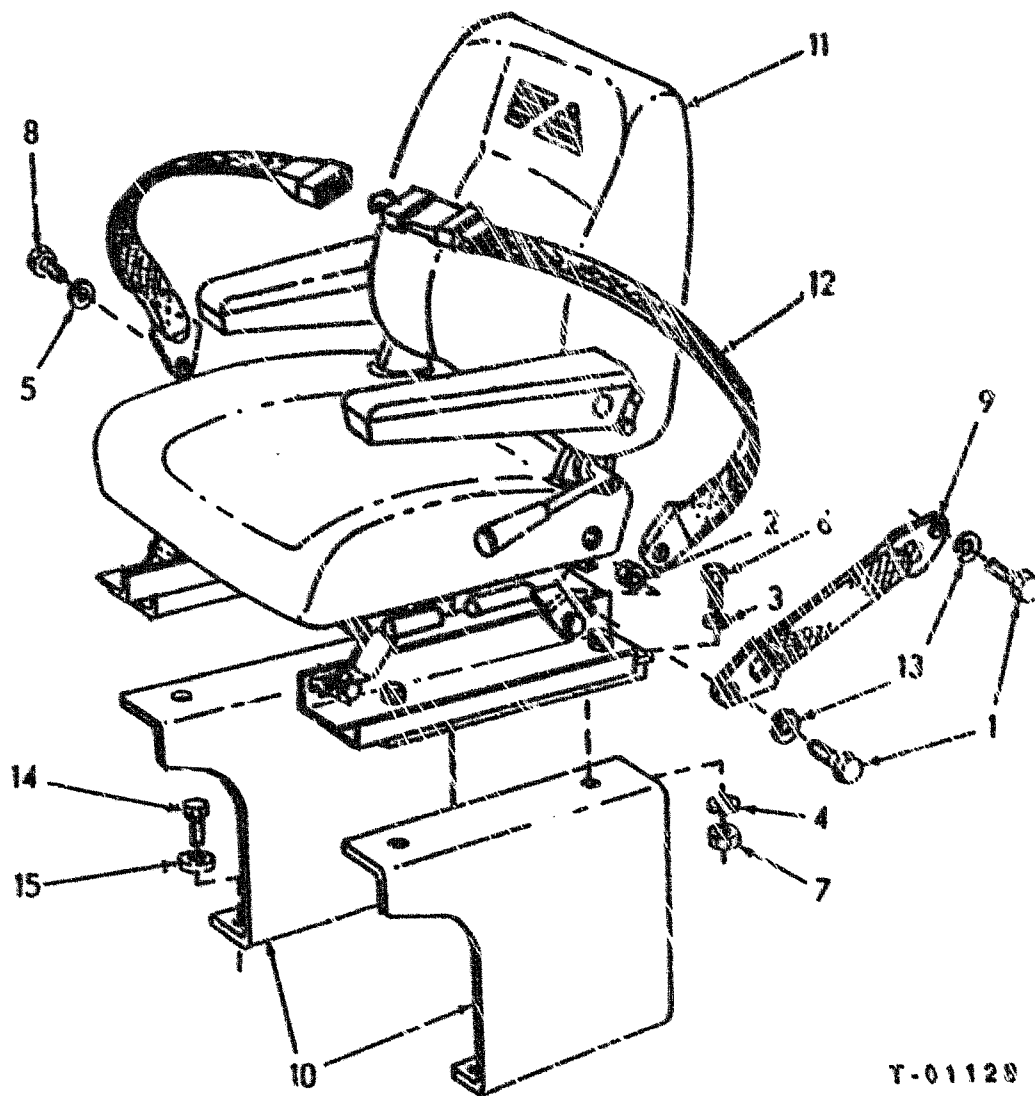
FR11

SEAT & MOUNTING
 SEDILE E FISSAGGIO
 SIEGE ET SUPPORT
 FAHRERSITZ UND EINBAU
 SILLA Y SOPORTE

M101

1

Revised August 1988



T-01128

ITEM	PART NO.	QTY.	LEX.	DESCRIPTION
1	1110631	4	40V	CAPSCREW, 10 X 1.5 X 20
2	11701721	4	10D	NUT
3	12646821	8	131R	WASHER
4	10571871	4	131R	WASHER
5	14496731	2	131K	WASHER
6	11106231	8	40V	CAPSCREW, M10 X 25
7	11701721	4	40V	NUT, 8 X 1.25 X 3
8	70928380	2	40V	CAPSCREW
9	79035976	2	173C	BOLT
10	76011198	2	300S	SUPPORT
11	79084619	1	80S	SEAT (M101(2A))
12	79064820	1	182C	SEAT BELT
			600I	STANDARD EQUIPMENT
	73075858	1	182C	SEAT BELT (3')
			600J	SPECIAL EQUIPMENT
13	10571871	4	132R	LOCKWASHER
14	70920582	4	40V	CAPSCREW, 1/8"NC X 1-1/8"
15	70677008	4	131R	WASHER

USAGE: SECOND TYPE

FR11B

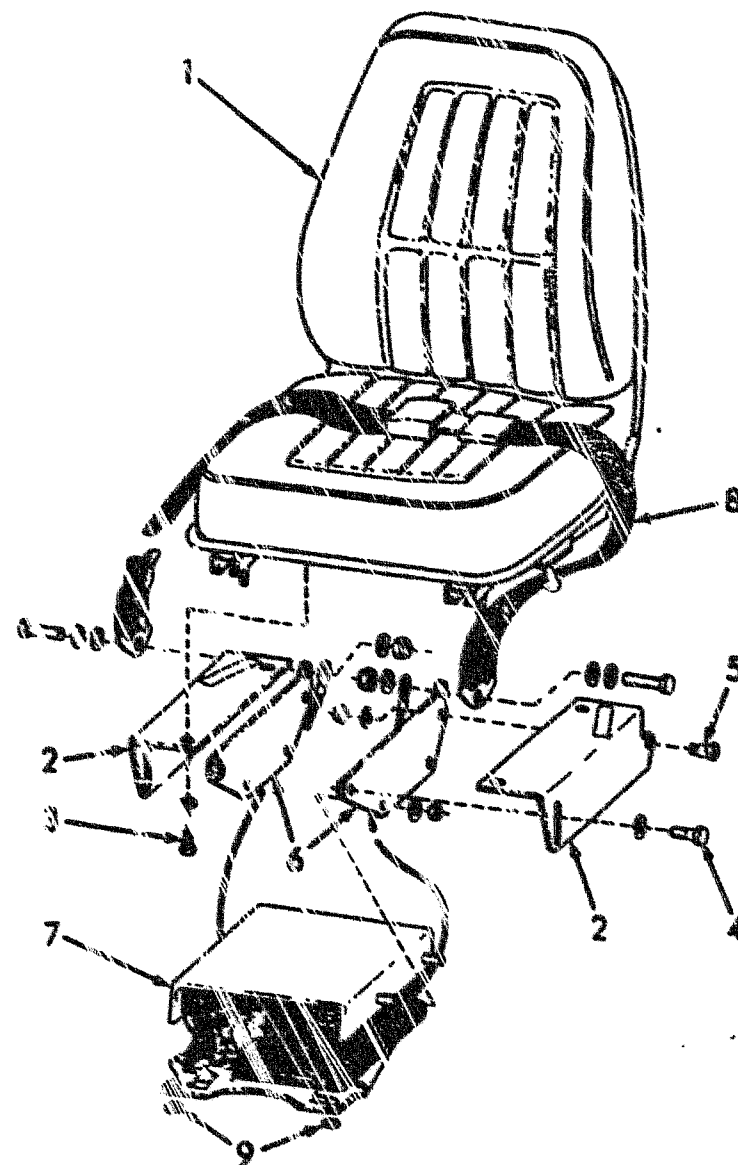
DRIVER'S SEAT

M101

1A

REVISED OCTOBER 1990

M101(2)



ITEM	PART NO.	QTY.	CODE	DESCRIPTION	DENOMINAZIONE
1	-----	1	69S	SEAT(M101(1))	SEDE
2	73075883	1	105P	PLATE	PIASTRA
			600A	LEFT	SINISTRO
	73075884	1	105P	PLATE	PIASTRA
			600B	RIGHT	DESTRO
3	70922925	4	40V	CAPSCREW, 5/16"NC X 3/4"	VITE
	70677005	4	131R	WASHER	ROSETTA
	70933622	2	10D	NUT, 5/16"NC	DADO
4	73074493	2	40V	CAPSCREW, 1/2"NC X 1-1/4"	VITE
	73074494	2	131R	WASHER	ROSETTA
5	70927538	2	42V	SCREW, 3/8"NC	VITE
	73074491	4	131R	WASHER	ROSETTA
	73074492	2	10D	NUT, 3/8"NC	DADO
6	73075881	1	105P	PLATE	PIASTRA
			600A	LEFT	SINISTRO
	73075882	1	105P	PLATE	PIASTRA
			600B	RIGHT	DESTRO
7	73072057	1	172S	SUSPENSION(M101(4))	SOSPENSIONE
	70929057	4	40V	CAPSCREW, 3/8"NC X 1-1/2"	VITE
	70677006	4	131R	WASHER	ROSETTA
8	73075858	1	182C	SEAT BELT	CINTURA DI SICUREZZA
	70921556	2	40V	CAPSCREW, 1/2"NC X 2"	VITE
	73074494	6	131R	WASHER	ROSETTA
	70923352	2	257C	LOCKNUT	CONTRODADO
9	70914498	4	131R	WASHER	ROSETTA
			600P	AS REQUIRED	DEFINITO AL MONTAGGIO

USAGE: FIRST TIME.

FR11

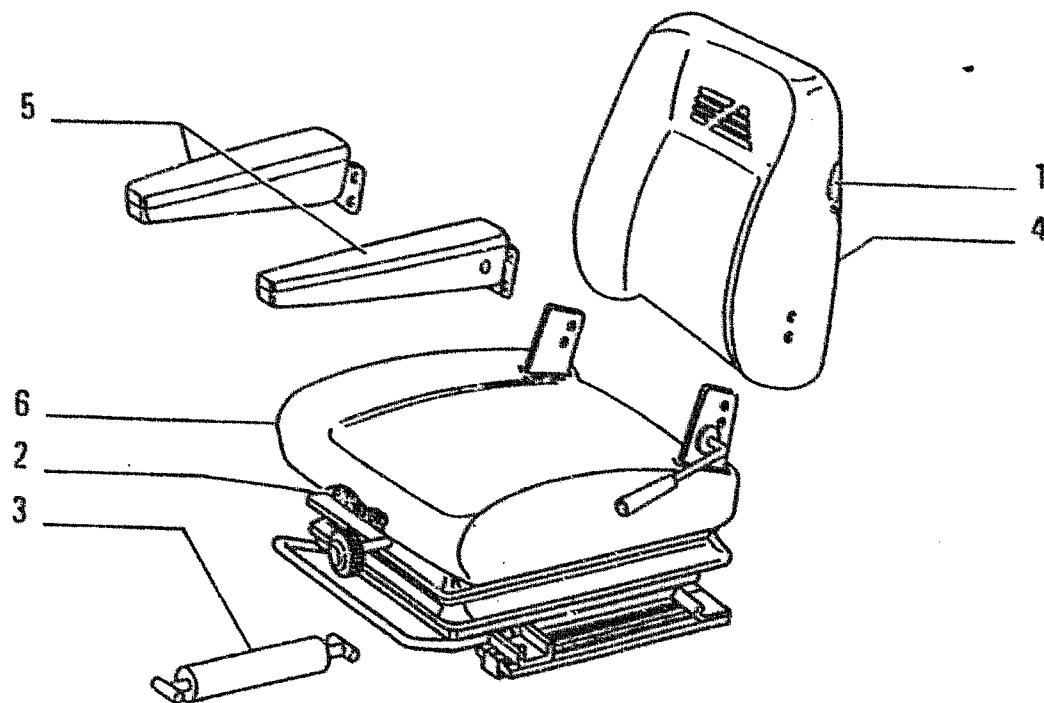
SEAT & MOUNTING
 SEDE E FISSAGGIO
 SIEGE ET SUPPORT
 FAHRERSITZ UND EINBAU
 SILLA Y SOPORTE

M101

2

Revised August 1988

N101(2A)

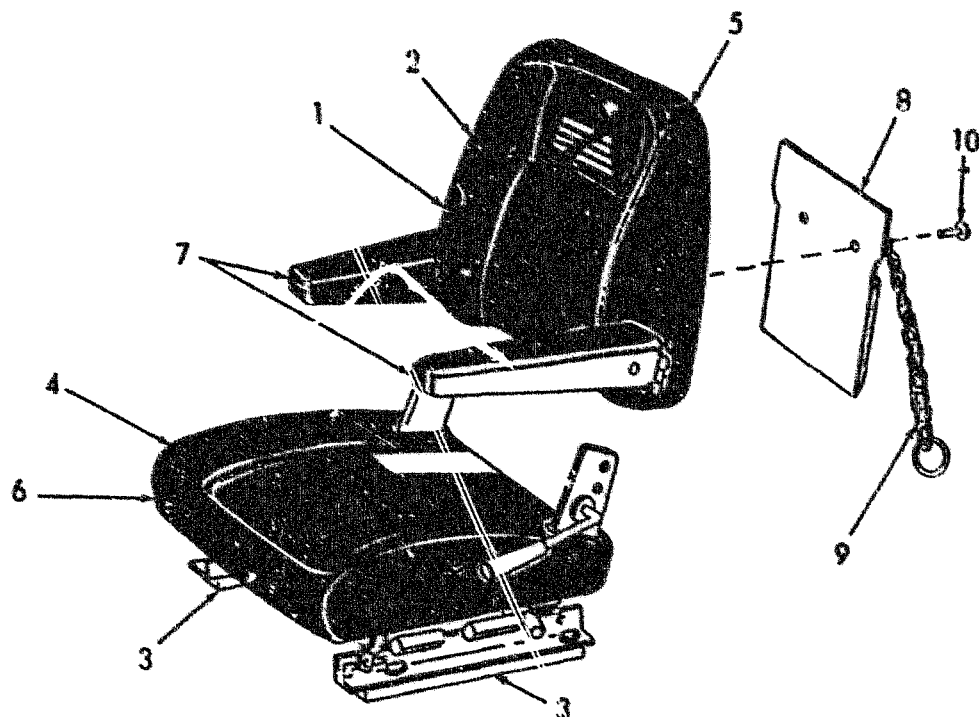


ITEM	PART NO.	QTY.	CODE	DESCRIPTION	DENOMINAZIONE
-	79084619	1	80S	SEAT	SEDILE
			600L	INCLUDES ITEMS 1-6	INCLUDE PARTIC.(1)
1	79068710	1	241	PADDING	IMBOTTITURA
2	79068712	1	241	PADDING	IMBOTTITURA
3	79080869	1	36A	SHOCK ABSORBER	AMMORTIZZATORE
4	79084831	1	50S	BACK	SCHIENALE
5	79084832	1	129S	KIT, ARMRESTS	SERIE
6	79084833	1	345C	CUSHION	CUSCINO

USAGE: SECOND TYPE

FR11	SEAT & MOUNTING SEDILE E FISSAGGIO SIEGE ET SUPPORT FAHRERSITZ UND EINBAU SILLA Y SOPORTE	N101	2A
		Added August 1988	

M101(28)



T-0435

ITEM	PART NO.	QTY.	CODE	DESCRIPTION	DEFINIZIONE
-	79065229	1	80S	SEAT	SEDILE
			600L	INCLUDES ITEMS 1-6	INC. UDE PARTIC.(1)
1	79068710	1	241	PADDING	IMBOTTITURA
2	79068711	1	50S	BACK	SCHIENALE
3	79068712	1	241	PADDING	IMBOTTITURA
4	79068713	1	345C	CUSHION	CUSCINO
5	79068714	1	50S	BACK	SCHIENALE
6	79068715	1	345C	CUSHION	CUSCINO
7	79066233	1	74A	ARMREST(S)	APPOGGIABRACCIA
8	73108441	1	501L	POCKET	SACCA
9	73108440	1	96C	CHAIN, SMALL	CATENELLA
10	70520651	2	42V	SCREW	VITE

USAGE: UNITS EQUIPPED WITH CANOPY.

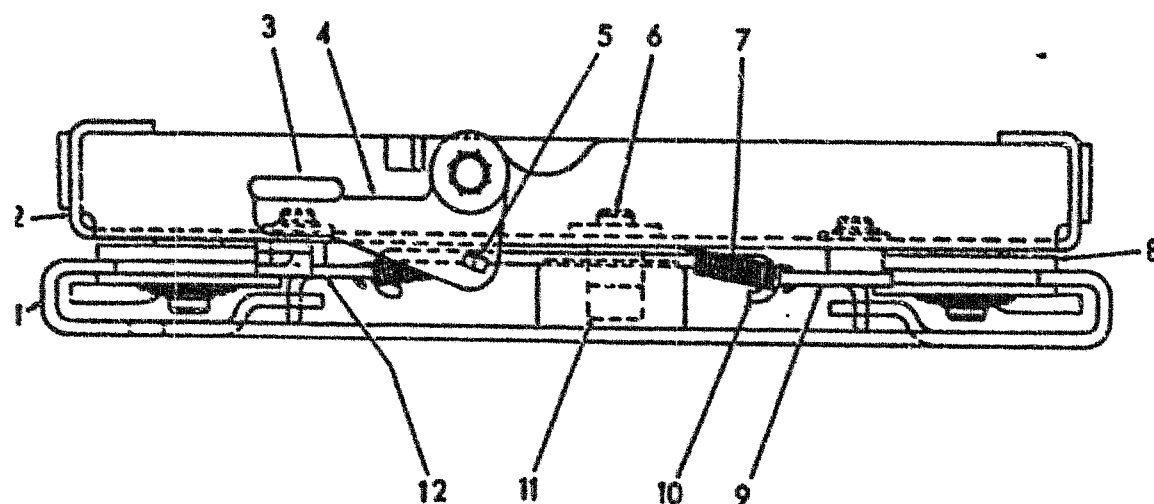
FR11

SEAT & MOUNTING
 SEDILE E FISSAGGIO
 SIEGE ET SUPPORT
 FAHRERSITZ UND EINBAU
 SILLA Y SOPORTE

M101

28

Added August 1988

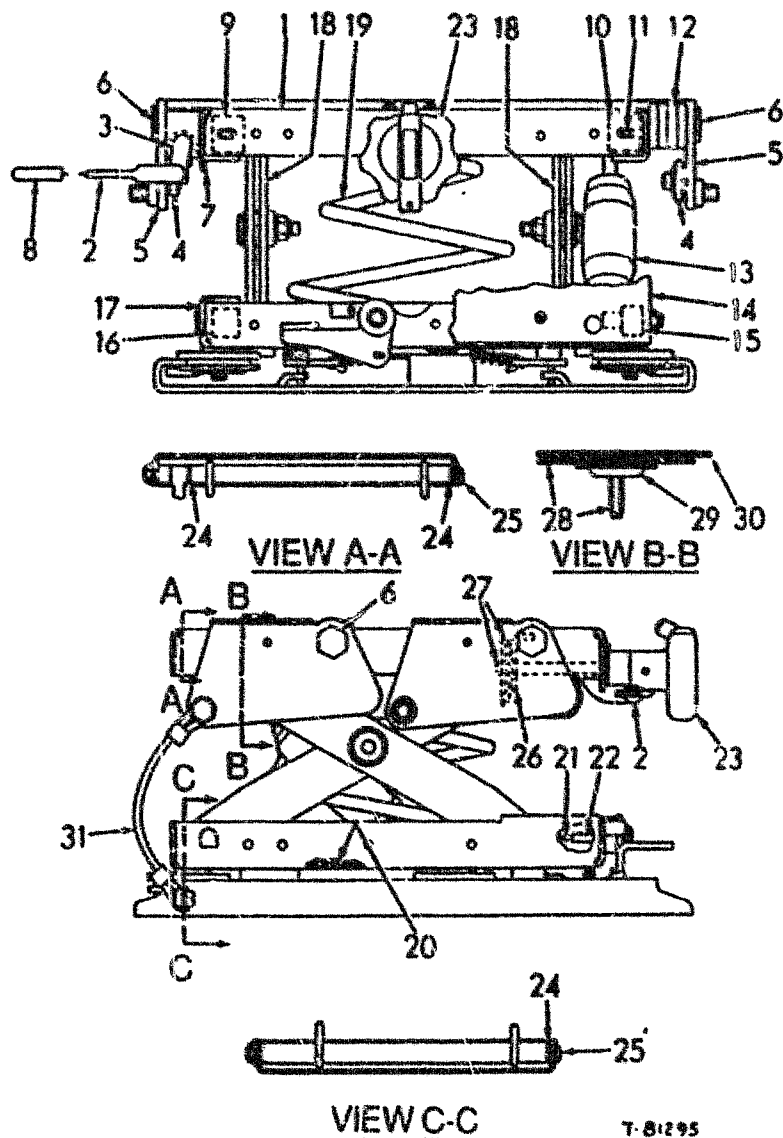


T-81296

ITEM	PART NO.	QTY.	CODE	DESCRIPTION	DENOMINAZIONE
1	73076446	1	178C	TRACK	CINGOLO
2	73076441	1	35S	HOUSING	SCATOLA
3	73076450	1	20C	CAP	CALOTTA
4	73076442	1	45L	LEVER	LEVA
	73076464	1	257C	LOCKNUT	CONTRODADO
5	73076443	1	75G	LINK	GLIFO
6	73076458	1	40V	CAPSCREW	VITE
7	73076444	2	100M	SPRING	MOLLA
8	73134671	4	341C	BEARING	CUSCINETTO
	73076464	4	257C	LOCKNUT	CONTRODADO
9	73076448	1	56C	PLUG, GLOW	CANDELA PRERISCALD.
			600A	LEFT	SINISTRO
	73076464	1	257C	LOCKNUT	CONTRODADO
10	73076445	1	90A	ROD	ASTA
11	73076447	1	75D	SPACER	DISTANZIALE
12	73076449	1	156C	LATCH	CHIAVISTELLO
			600B	RIGHT	DESTRO
	73076464	1	257C	LOCKNUT	CONTRODADO

USAGE: FIRE TYPE.

FR11	SEAT SUSPENSION SEDILE-SOSPENSIONE SUSPENSION DU SIEGE FAHRERSITZAUFHANGUNG SUSPENSION DE LA SILLA	M101	3
		Revised August 1988	



ITEM	PART NO.	QTY.	CODE	DESCRIPTION	DENOMINAZIONE
1	73076426	1	35S	HOUSING	SCATOLA
			600C	UPPER	SUPERIORE
2	73076434	1	45L	LEVER	LEVA
	73076454	1	80P	PIN	PERNO
3	73076438	1	156C	LATCH	CHIAVI STELLO
4	73076437	2	75G	LINK	GLIFO
	73076464	4	61S	RETAINER	SCODELLINO DI RITEGNO
5	73076433	2	75G	LINK	GLIFO
	73076463	4	131R	WASHER	ROSETTA
	73076460	4	257C	LOCKNUT	CONTRODADO
6	73076436	4	140B	BOLT	BULLONE
7	73076435	1	100M	SPRING	MOLLA
8	73076440	1	20C	CAP	CALOTTA
9	73076420	1	74B	BLOCK	BLOCCETTO
10	73076422	1	74B	BLOCK	BLOCCETTO
11	73076427	2	36P	BUMPER	PARAURTI
12	73076439	2	100M	SPRING	MOLLA
13	73076423	1	36A	SHOCK ABSORBER	AMMORTIZZATORE
	73076424	2	341C	BEARING	CUSCINETTO
	73076425	1	140B	BOLT	BULLONE
	73076460	1	257C	LOCKNUT	CONTRODADO
14	73076431	1	330C	BOOT	CUFFIA DI PROTEZIONE
	73076465	23	120B	BUTTON	BOTTONE
15	73076421	1	74B	BLOCK	BLOCCETTO
16	73076419	1	74B	BLOCK	BLOCCETTO
17	-----	1	35S	HOUSING(M101(3))	SCATOLA
			500D	LOWER	INFERIORE
18	73076414	1	174S	BRACE	SOSTEGNO
19	73076410	1	100M	SPRING	MOLLA
20	73076409	1	197S	PAD	SPESSORE ELASTICO
21	73076428	1	361	INDICATOR, TENSION	INDICATORE DI TENSIONE
22	73076453	1	81P	PIN, SECURING	PERNO DI FISSAGGIO
23	73076430	1	150P	KNOB	POMELLO
	73076452	1	80P	PIN	PERNO
24	73076415	4	341C	BEARING	CUSCINETTO
25	73076429	2	16A	SHAFT	ALBERO
	73076462	2	10D	NUT	DADO

USAGE: FIRST TYPE.

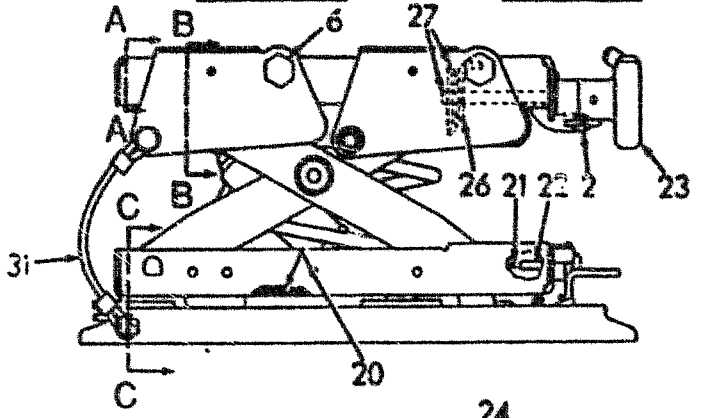
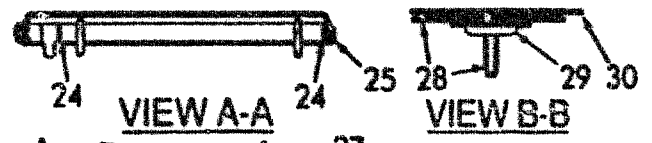
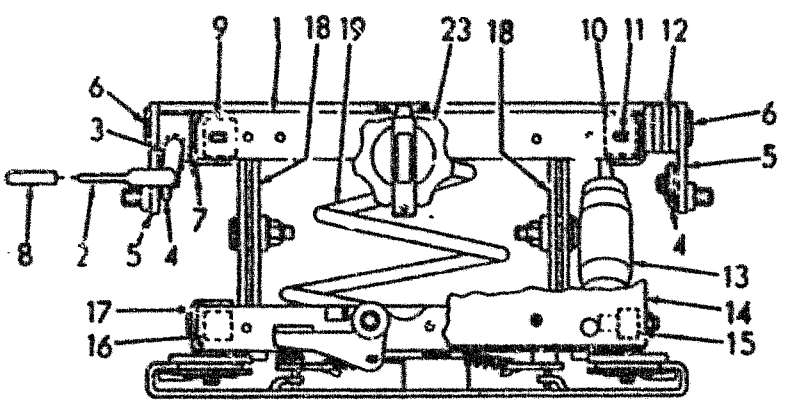
FR11

SEAT SUSPENSION
 SEDILE-SOSPENSIONE
 SUSPENSION DU SIEGE
 FAHRERSITZAUFHANGUNG
 SUSPENSION DE LA SILL:

M101

4

Revised August 1988



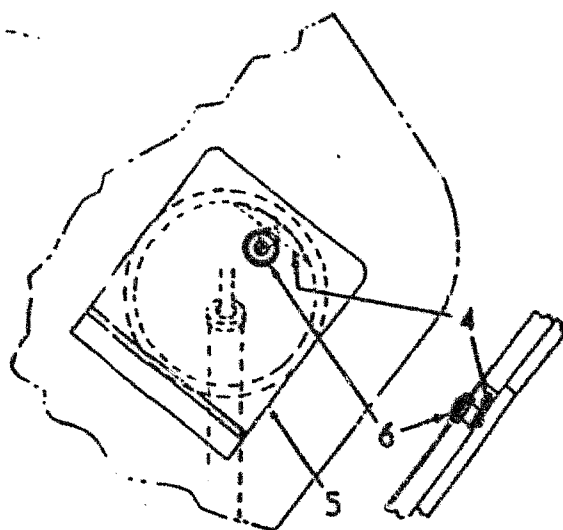
VIEW C-C T-81295

ITEM	PART NO.	QTY.	CODE	DESCRIPTION	DENOMINAZIONE
26	73076413	1	80M	BRACKET	MENSOLA
	73076456	2	140B	BOLT	BULLONE
	73076459	2	257C	LOCKNUT	CONTRODADO
27	73076476	1	501	GEAR	INGRANAGGIO
28	73076412	1	501	GEAR	INGRANAGGIO
	73076455	1	80P	PIN	PERNO
29	73076411	1	131R	WASHER	ROSETTA
30	73076418	1	131R	WASHER	ROSETTA
31	73076416	2	105F	CABLE	FUNE
	73076457	2	40V	CAPSCREW	VITE
	73076417	2	131R	WASHER	ROSETTA
	73076460	2	257C	LOCKNUT	CONTRODADO

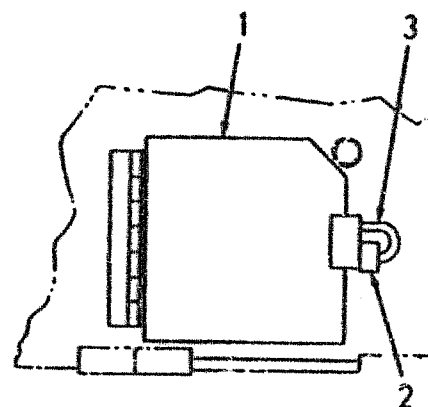
USAGE: FIRST TYPE.

FR11	SEAT SUSPENSION SEDILE-SOSPENSIONE SUSPENSION DU SIEGE FAHRERSITZAUFHANGUNG SUSPENSION DE LA SILLA	M101	4
		Revised August 1986	

ITEM	PART NO.	QTY.	CODE	DESCRIPTION	DENOMINAZIONE
1	70679996	1	265C	COVER	COPERCHIO
			600T	REQUIRES WELDING	DA SALDARE
2	70680077	1	74B	BLOCK	BLOCCHETTO
			600T	REQUIRES WELDING	DA SALDARE
3	70928052	1	81L	PADLOCK	LUCCHETTO
4	73151265	1	105P	PLATE	PIASTRA
			601C	NOT SERVICED	NON FORNITO DI RICAMB.
5	73145905	1	265C	COVER	COPERCHIO
			600T	REQUIRES WELDING	DA SALDARE
6	73077328	3	22B	LOCK	SERRATURA
	73077327	3	13-R	WASHER	ROSETTA



TRANSMISSION FILLER



RADIATOR

7-84265

FR 11

VANDALISM PROTECTION
 PROTEZIONE ANTIVANDALISMO
 PROTECTION CONTRE LE VANDALISME
 SCHUTZABDECKE
 PROTECCION CONTRA EL VANDALISMO

2101